



US00D725019S

(12) **United States Design Patent**  
**Kim**

(10) **Patent No.:** **US D725,019 S**  
(45) **Date of Patent:** **\*\* Mar. 24, 2015**

(54) **VEHICLE WHEEL**

(71) Applicant: **DzineSquare, Inc.**, Yorba Linda, CA (US)

(72) Inventor: **Young Ha Kim**, Yorba Linda, CA (US)

(73) Assignee: **DzineSquare, Inc.**, La Mirada, CA (US)

(\*\*) Term: **14 Years**

(21) Appl. No.: **29/497,282**

(22) Filed: **Jul. 23, 2014**

(51) **LOC (10) Cl.** ..... **12-16**

(52) **U.S. Cl.**  
USPC ..... **D12/211**

(58) **Field of Classification Search**  
CPC ..... B60B 7/00; B60B 7/02; B60B 7/04;  
B60B 7/01; B60B 7/06; B60B 3/02; B60B  
3/04; B60B 3/06; B60B 3/10; B60B 1/00;  
B60B 1/08; B60B 1/10; B60B 1/12  
USPC ..... D12/204-213  
See application file for complete search history.

(56) **References Cited**

**U.S. PATENT DOCUMENTS**

D500,726 S \* 1/2005 Hettler ..... D12/211  
D516,989 S \* 3/2006 Baum ..... D12/211  
D548,162 S \* 8/2007 Baum ..... D12/211  
D578,455 S \* 10/2008 Pfeiffer ..... D12/211

D584,210 S \* 1/2009 Baum ..... D12/211  
D591,661 S \* 5/2009 Baum ..... D12/209  
D616,801 S \* 6/2010 Zhao ..... D12/211  
D622,201 S \* 8/2010 Zhao ..... D12/211  
D657,298 S \* 4/2012 Lee ..... D12/211  
D668,197 S \* 10/2012 Gotschke et al. .... D12/211  
D683,687 S \* 6/2013 Alfonso ..... D12/211  
D685,311 S \* 7/2013 Alfonso ..... D12/211  
D688,189 S \* 8/2013 Alfonso ..... D12/211  
D702,613 S \* 4/2014 Scheinhutte ..... D12/211

\* cited by examiner

*Primary Examiner* — Stacia Cadmus

(74) *Attorney, Agent, or Firm* — Lance M. Pritikin

(57) **CLAIM**

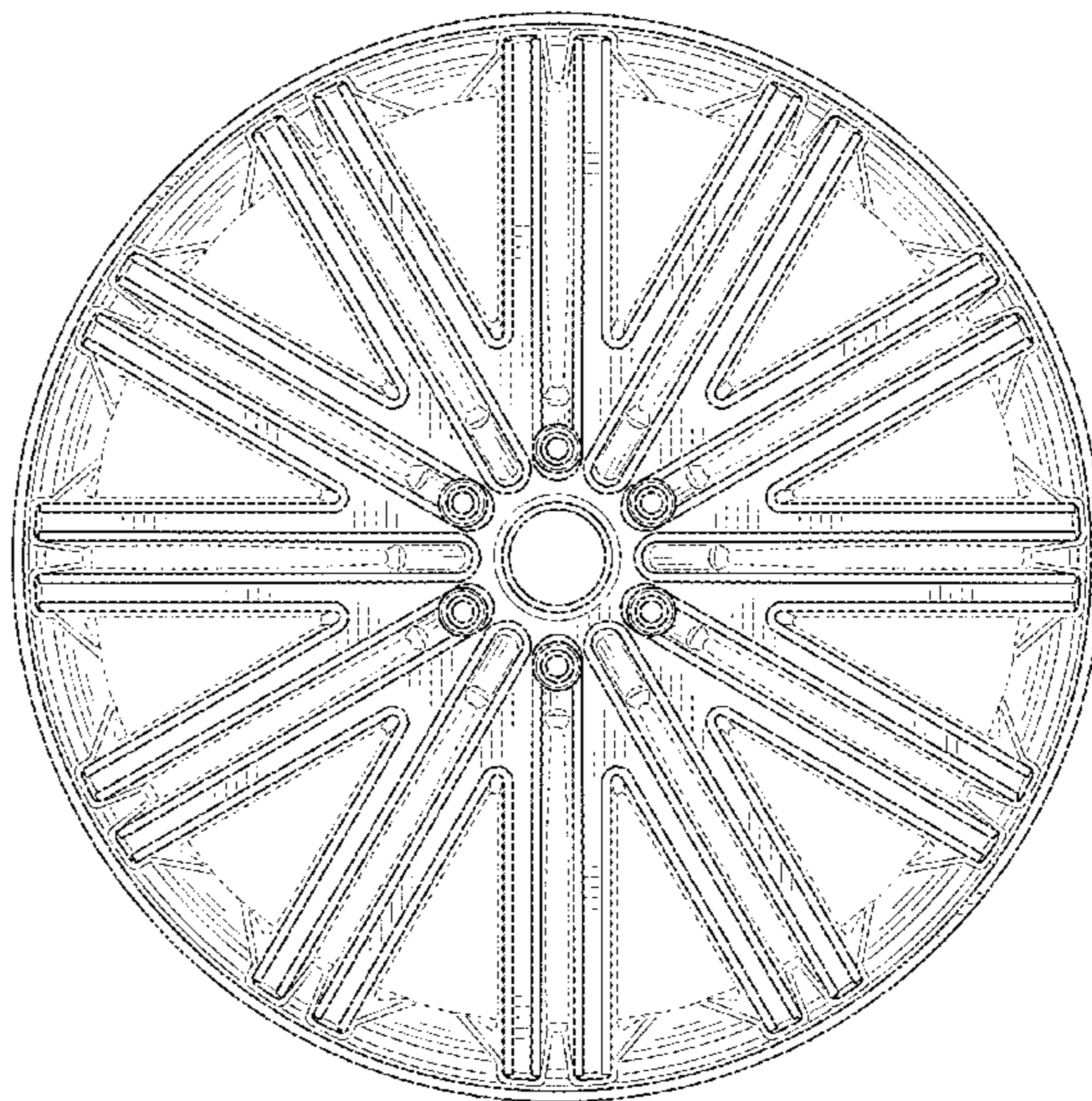
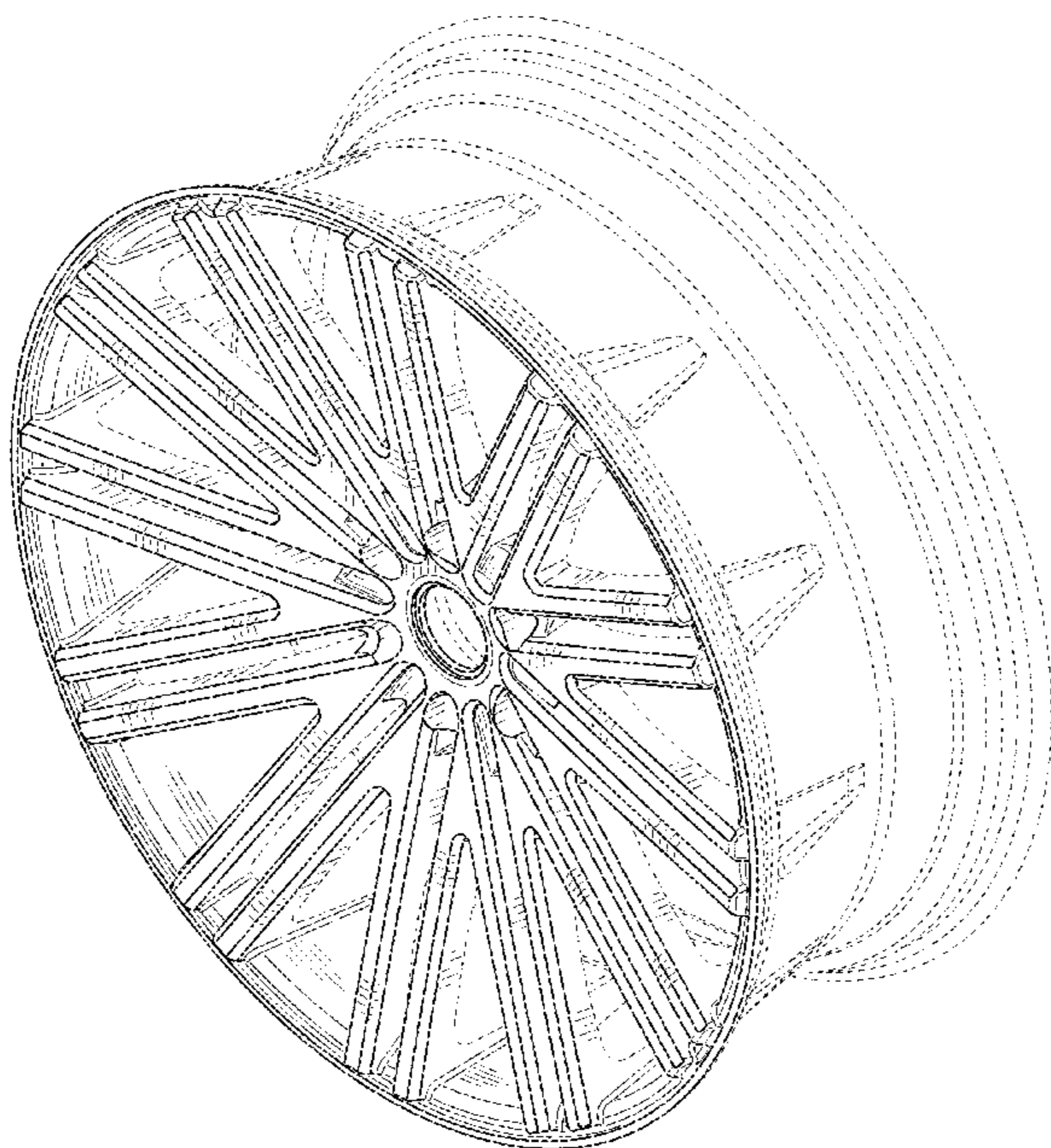
The ornamental design for a vehicle wheel, as shown and described.

**DESCRIPTION**

FIG. 1 is a front perspective view of the vehicle wheel, showing my new design;  
FIG. 2 is a front view thereof;  
FIG. 3 is a rear view thereof;  
FIG. 4 is a left side view thereof with a right side view being a mirror image;  
FIG. 5 is a top view thereof with a bottom view being a mirror image; and,  
FIG. 6 is a rear perspective view thereof.

The broken lines are included for illustrative purposes only and form no part of the claimed design.

**1 Claim, 5 Drawing Sheets**





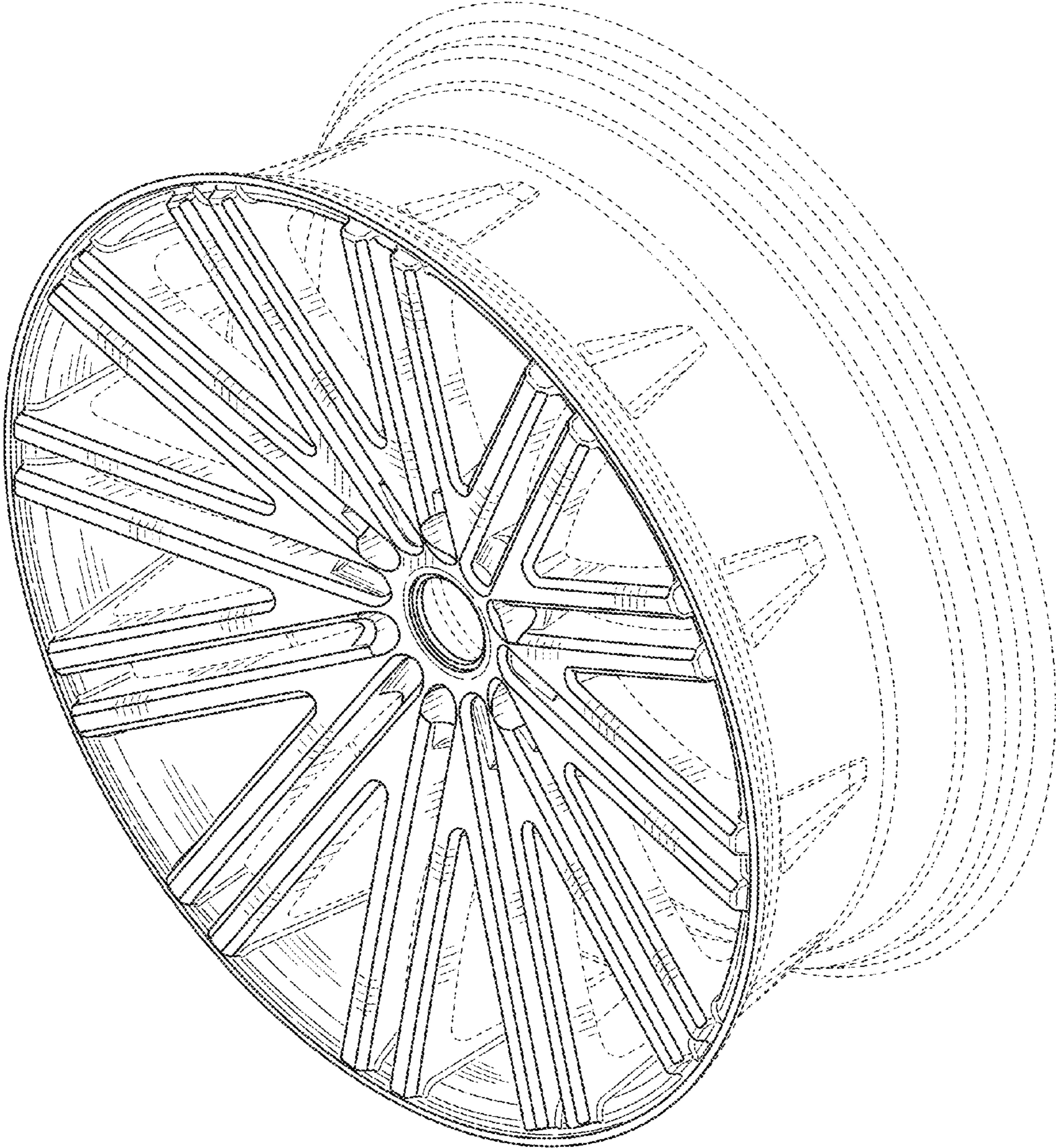


FIG. 1

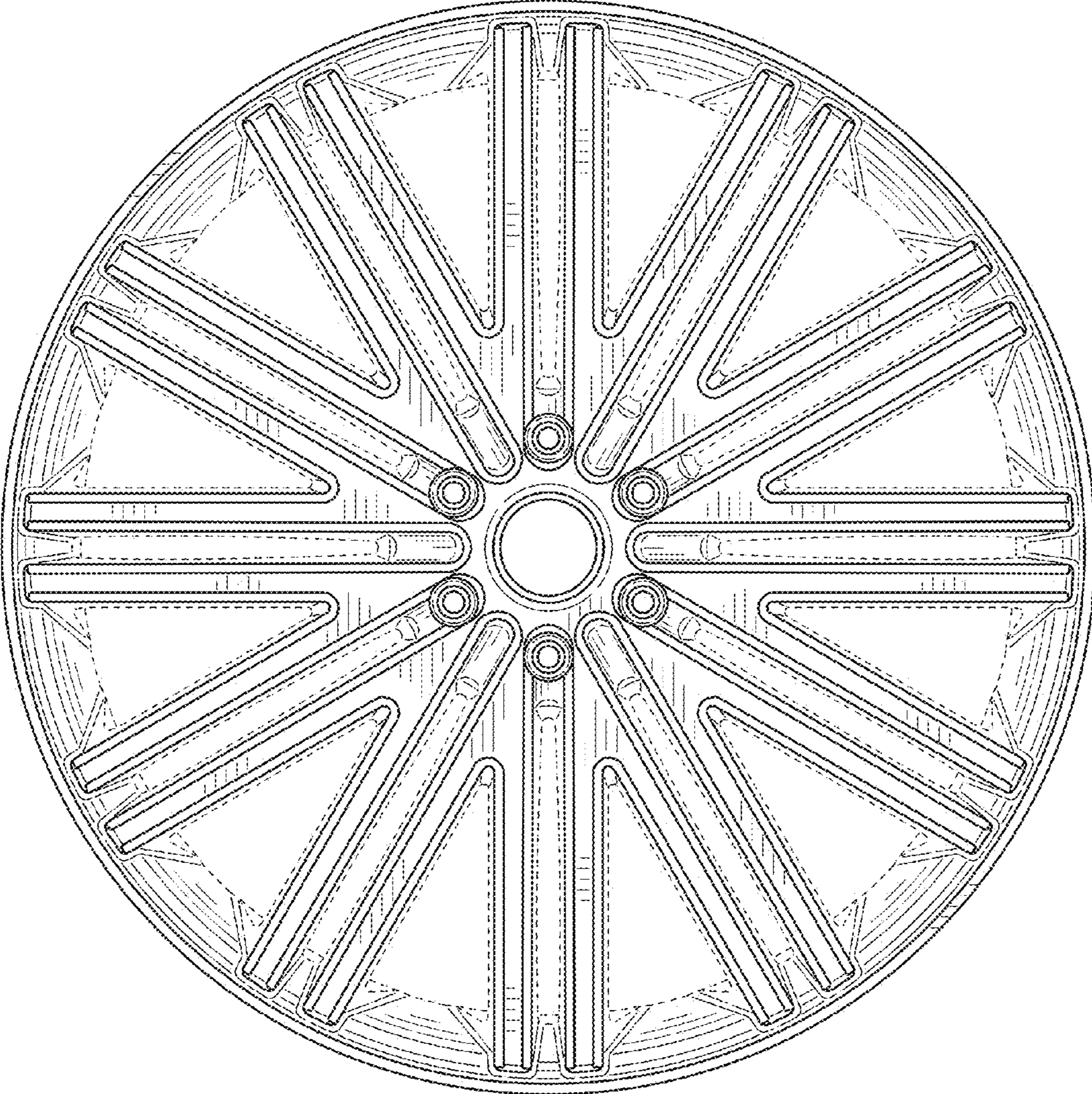


FIG. 2



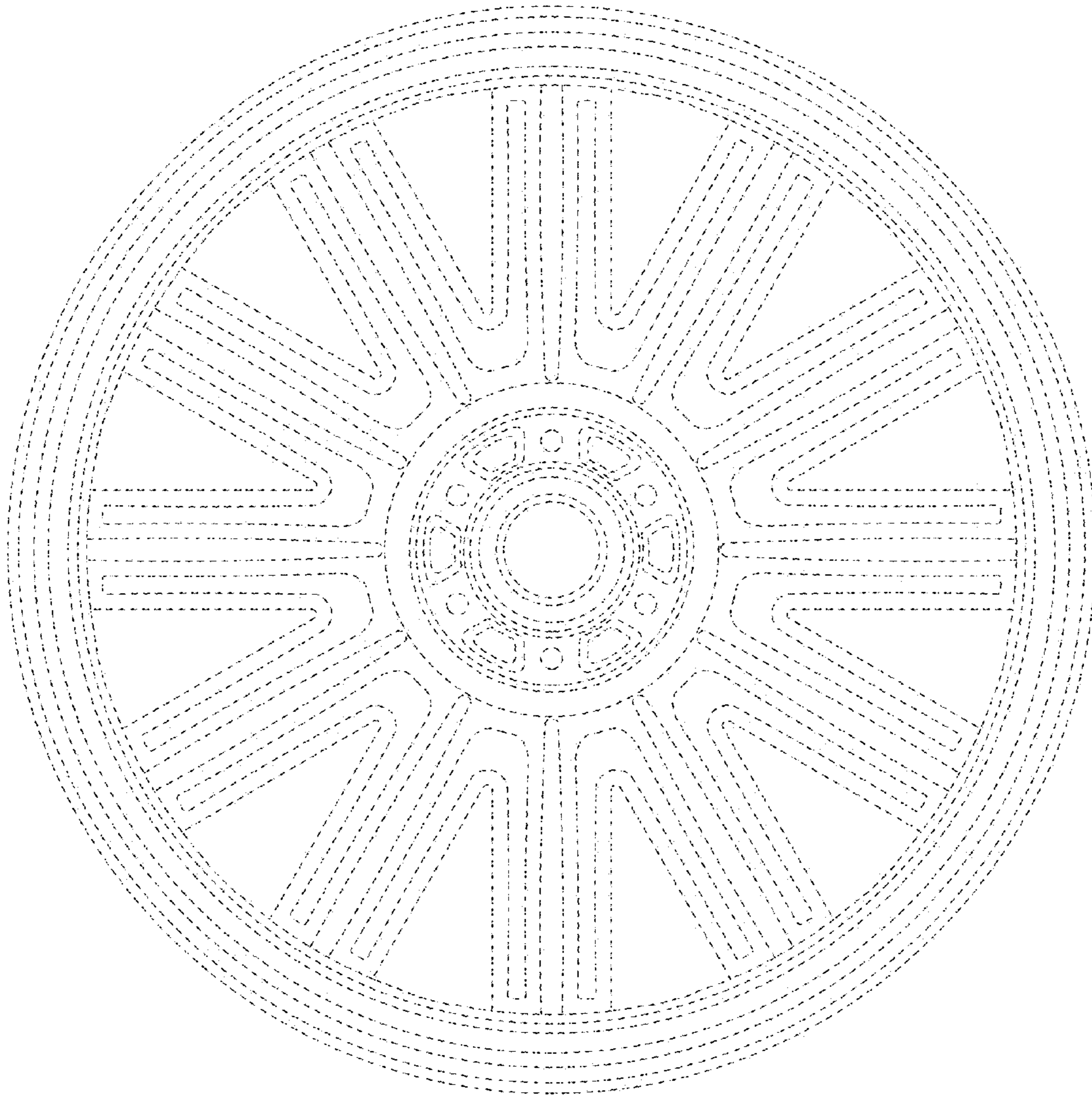


FIG. 3

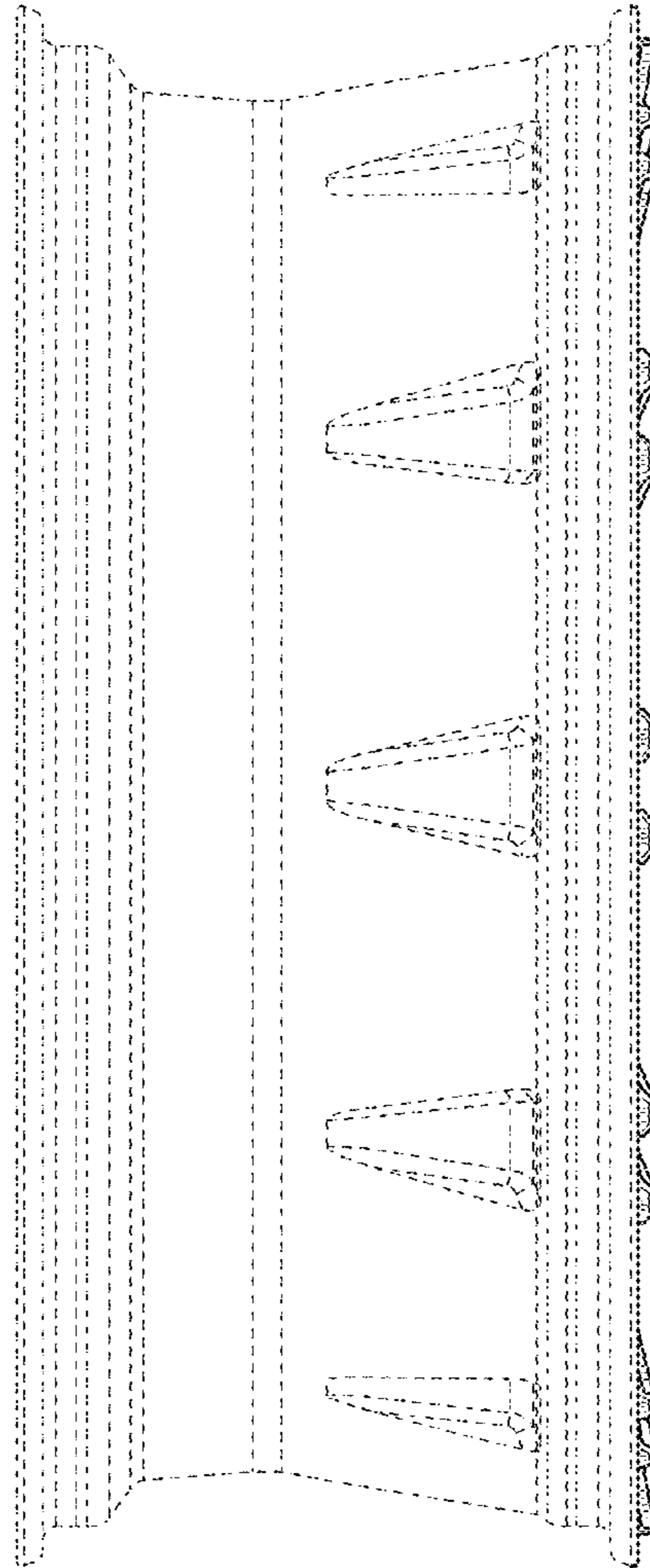


FIG. 4

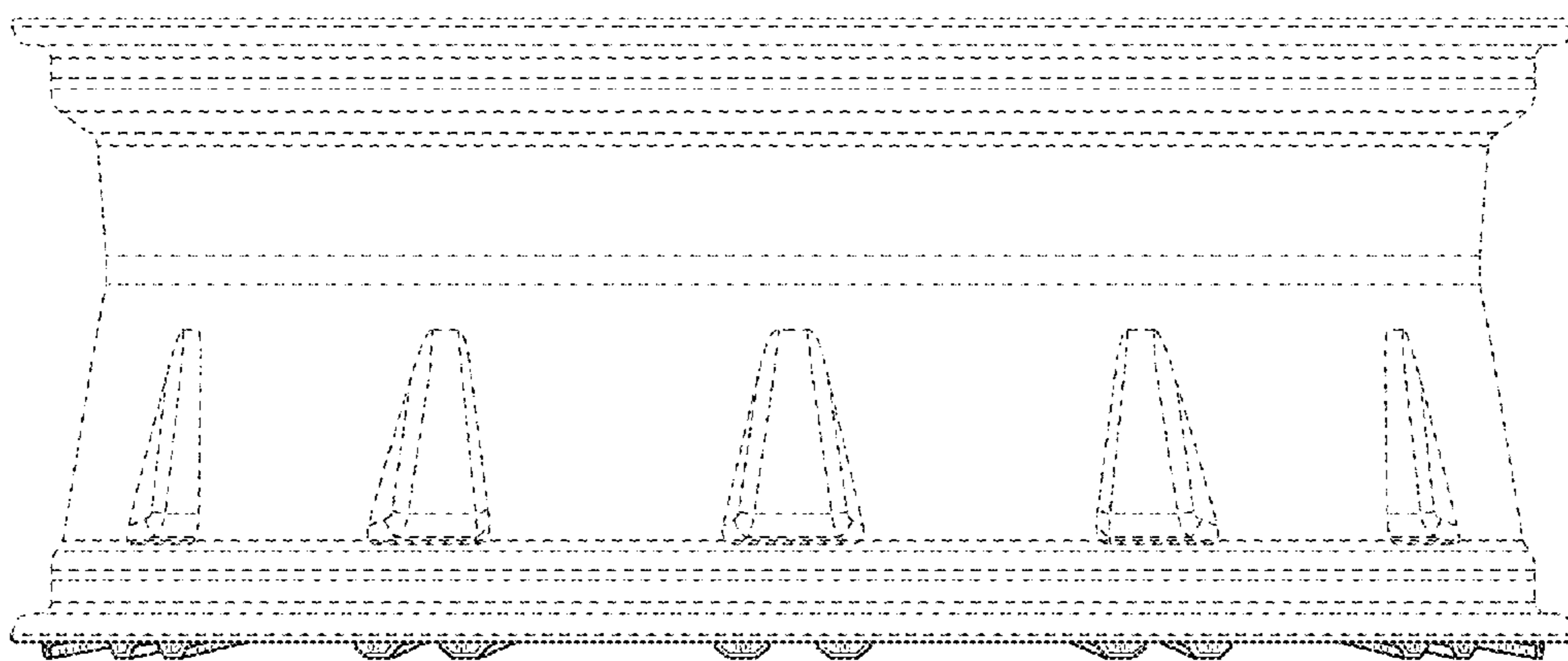


FIG. 5

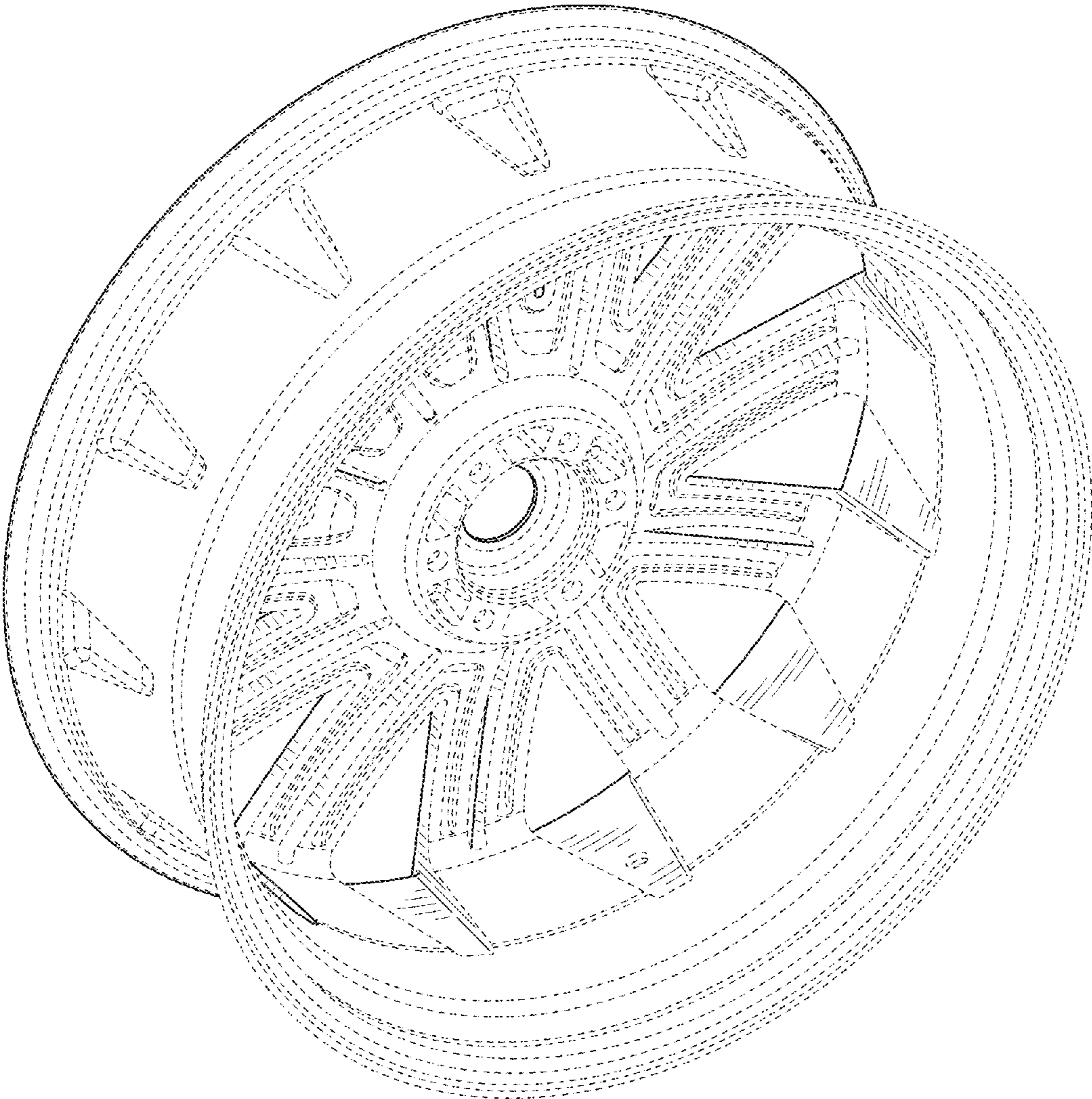


FIG. 6