



US00D725018S

(12) **United States Design Patent**
Zhao

(10) **Patent No.:** **US D725,018 S**
(45) **Date of Patent:** **** Mar. 24, 2015**

(54) **AUTOMOBILE WHEEL**

(71) Applicant: **John Zhao**, Monterey Park, CA (US)

(72) Inventor: **John Zhao**, Monterey Park, CA (US)

(73) Assignee: **Wah Hung Group Inc.**

(**) Term: **14 Years**

(21) Appl. No.: **29/504,837**

(22) Filed: **Oct. 9, 2014**

(51) **LOC (10) Cl.** **12-16**

(52) **U.S. Cl.**
USPC **D12/209**

(58) **Field of Classification Search**

CPC B60B 7/00; B60B 7/02; B60B 7/04;
B60B 7/01; B60B 7/06; B60B 3/02; B60B
3/04; B60B 3/06; B60B 3/10; B60B 1/00;
B60B 1/08; B60B 1/10; B60B 1/12

USPC D12/204-213
See application file for complete search history.

(56) **References Cited**

U.S. PATENT DOCUMENTS

D232,631 S * 9/1974 Siroonian D12/205
D233,328 S * 10/1974 Clary D12/205

D239,105 S * 3/1976 Siroonian D12/205
D269,081 S * 5/1983 Hayashi D12/211
D284,000 S * 5/1986 Braungart D12/211
D405,409 S * 2/1999 Baumgartner D12/211
D438,164 S * 2/2001 Langerer D12/211
D454,327 S * 3/2002 Bux D12/211
D472,865 S * 4/2003 Wechner D12/211
D701,158 S * 3/2014 Hodges D12/211
D708,109 S * 7/2014 Hodges D12/209

* cited by examiner

Primary Examiner — Stacia Cadmus

(74) *Attorney, Agent, or Firm* — Adli Law Group P.C.

(57) **CLAIM**

I claim the ornamental design for an automobile wheel, as shown and described.

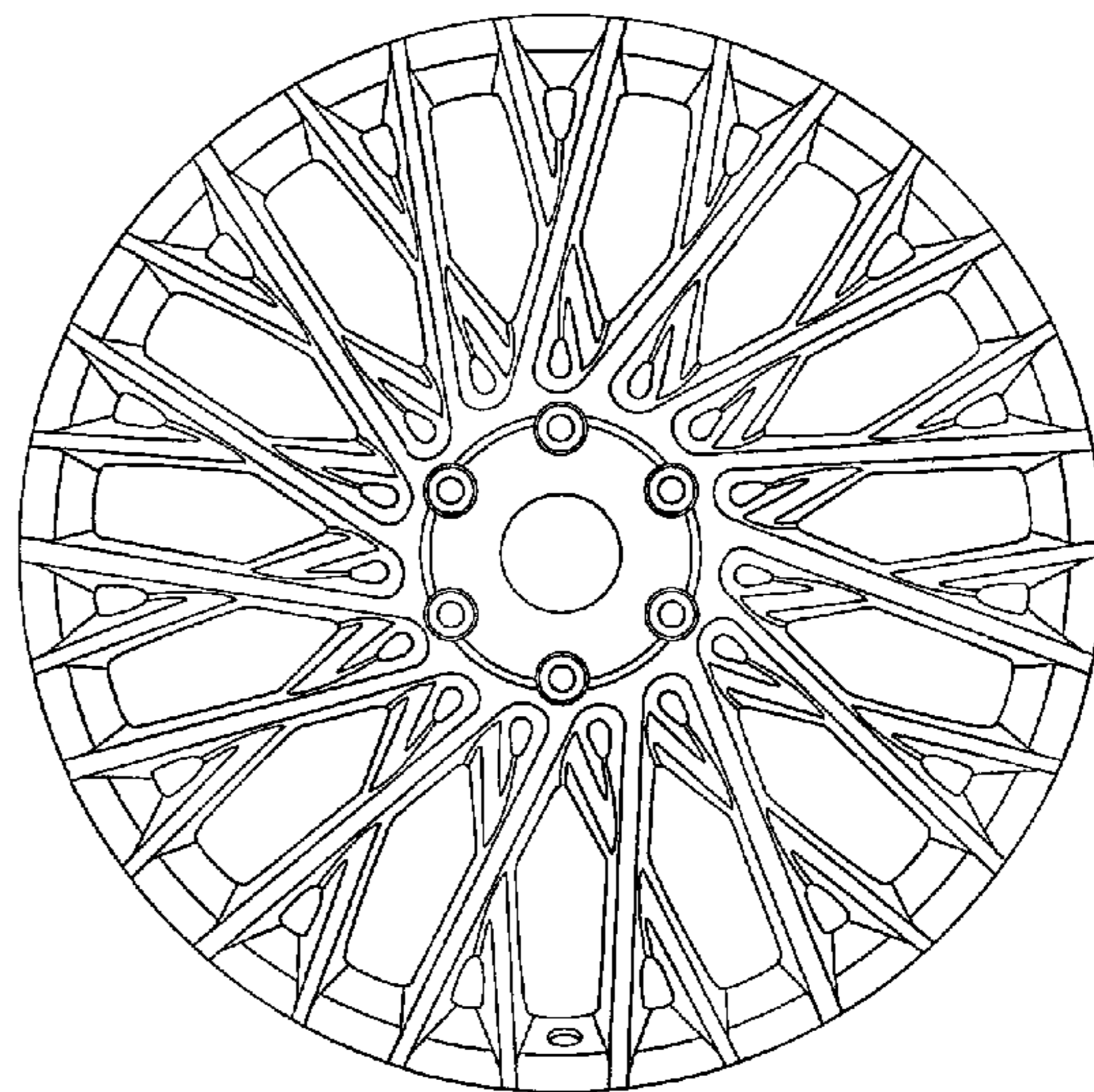
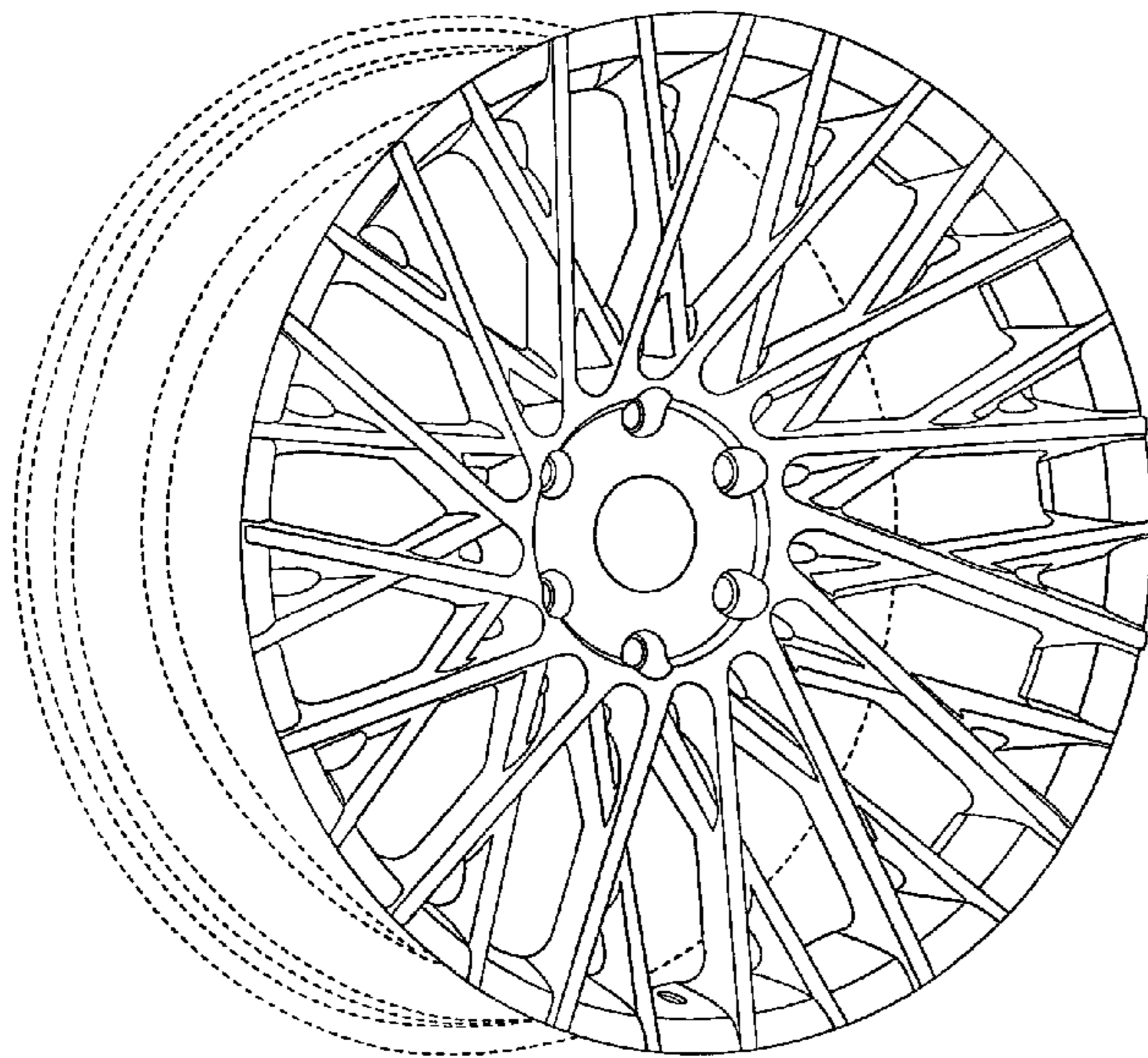
DESCRIPTION

FIG. 1 is a perspective view of an automobile wheel according to the claimed design; and,

FIG. 2 is a front elevational view of an automobile wheel according to the claimed design.

The ornamental design which is claimed is shown in solid lines in the drawings. The broken lines in the drawings are for illustrative purposes only and form no part of the claimed design.

1 Claim, 2 Drawing Sheets



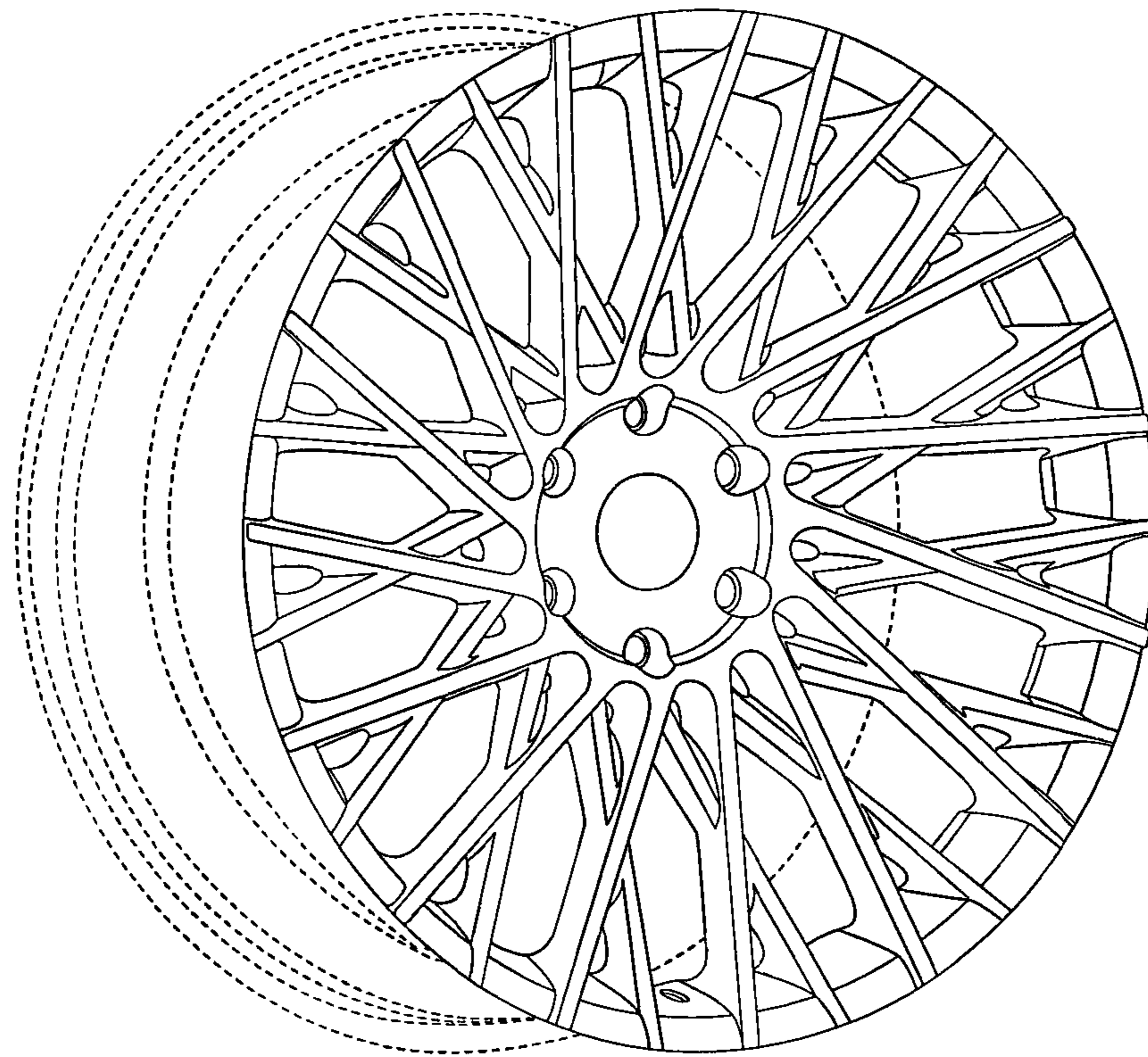


FIG. 1

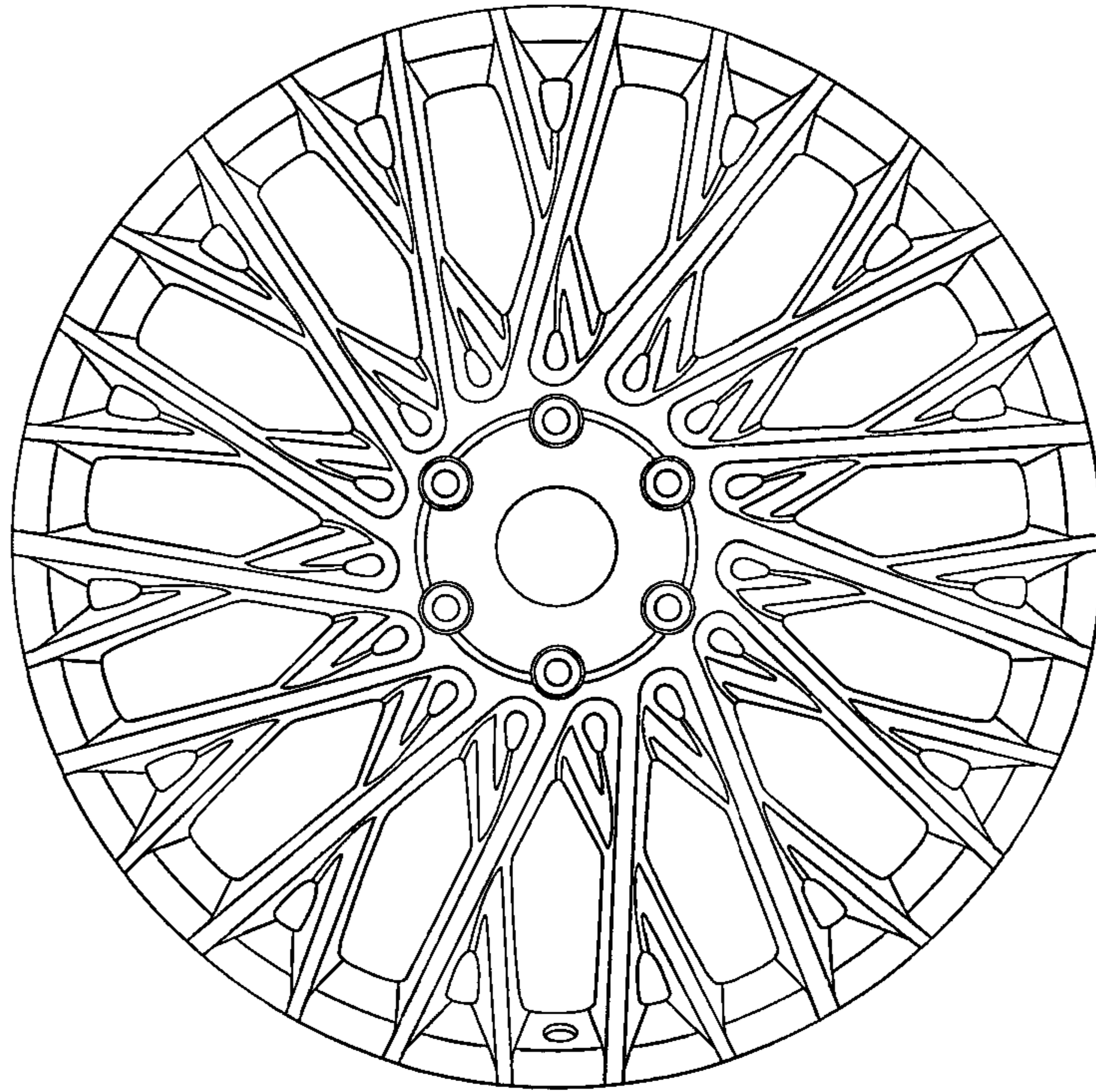


FIG. 2