



US00D725015S

(12) **United States Design Patent**
Kovach et al.

(10) **Patent No.:** **US D725,015 S**

(45) **Date of Patent:** **** Mar. 24, 2015**

(54) **EXTERIOR VEHICLE MIRROR**

(71) Applicant: **L.O.F., Inc.**, Elkhart, IN (US)

(72) Inventors: **Laszlo Antal Kovach**, Honolulu, HI (US); **Wen-Pin Tseng**, Taipei (TW)

(**) Term: **14 Years**

(21) Appl. No.: **29/501,285**

(22) Filed: **Sep. 3, 2014**

(51) **LOC (10) Cl.** **12-16**

(52) **U.S. Cl.**
USPC **D12/187**

(58) **Field of Classification Search**
USPC D12/187, 188–189; D6/300, 309;
359/838, 841–844, 868, 871, 866;
248/479–483, 475.1

See application file for complete search history.

(56) **References Cited**

U.S. PATENT DOCUMENTS

D519,071 S *	4/2006	Moruzzi	D12/187
D609,151 S *	2/2010	Kouchi et al.	D12/187
D623,674 S *	9/2010	Wei et al.	D16/101
D636,311 S *	4/2011	Faghihzadeh	D12/187

D715,711 S *	10/2014	Blanski et al.	D12/187
D716,206 S *	10/2014	Thole et al.	D12/187
D716,207 S *	10/2014	Callum et al.	D12/187
2006/0250423 A1 *	11/2006	Kettle et al.	345/692
2009/0015955 A1 *	1/2009	Muller	359/871

* cited by examiner

Primary Examiner — Katrina A Betton

(74) *Attorney, Agent, or Firm* — Husch Blackwell LLP;
George S. Pavlik

(57) **CLAIM**

The ornamental design for an exterior vehicle mirror, as shown and described.

DESCRIPTION

FIG. 1 is a perspective view of the exterior vehicle mirror.
FIG. 2 is a front elevation view thereof.
FIG. 3 is a top plan view thereof.
FIG. 4 is a bottom plan view thereof.
FIG. 5 is a rear elevation view thereof.
FIG. 6 is a first side elevation view thereof; and,
FIG. 7 is a second side elevation view thereof, opposite the elevation view of FIG. 6.

The broken lines in the drawing depict subject matter that is hereby disclaimed and forms no part of the claimed design.

1 Claim, 4 Drawing Sheets

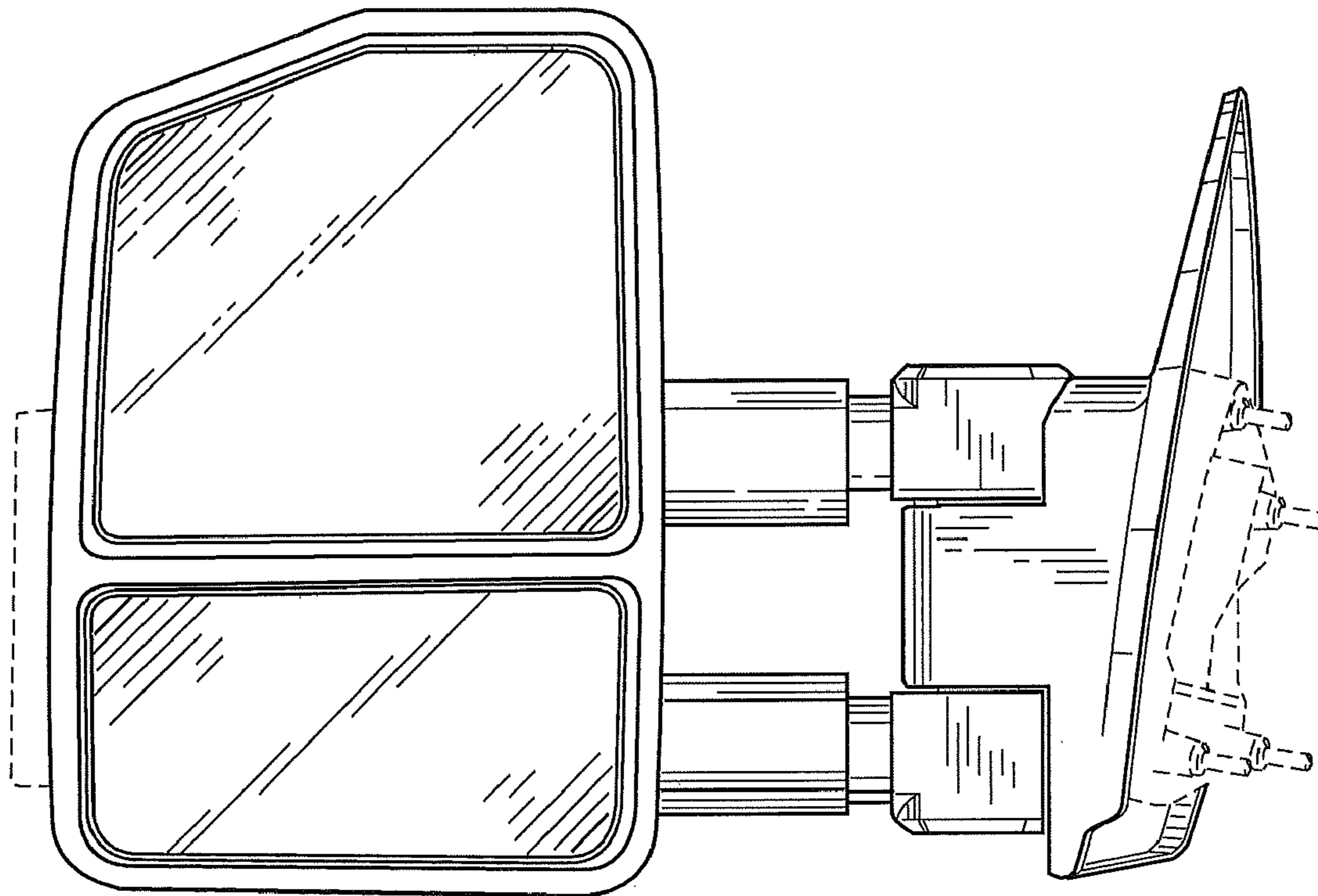


FIG. 1

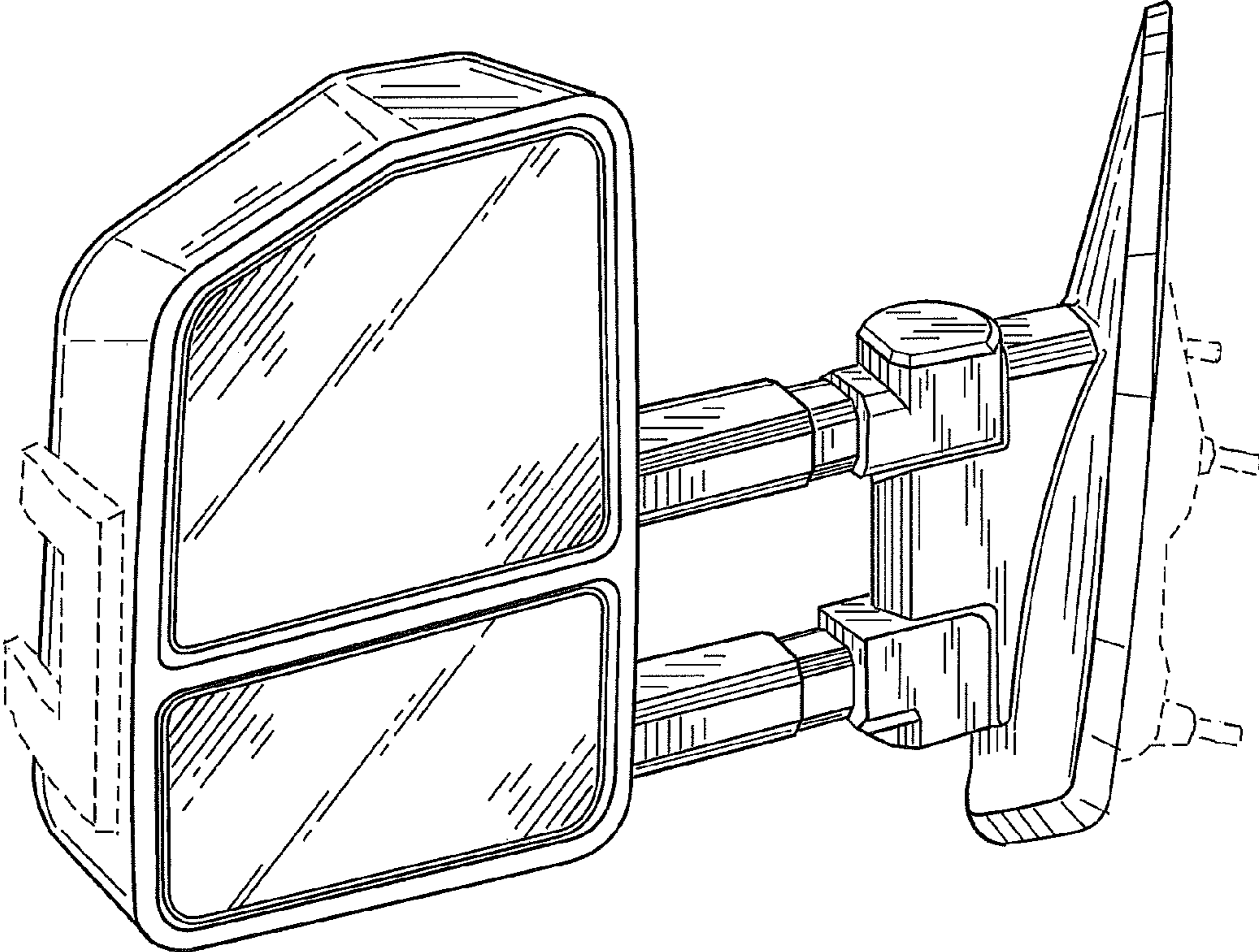


FIG. 2

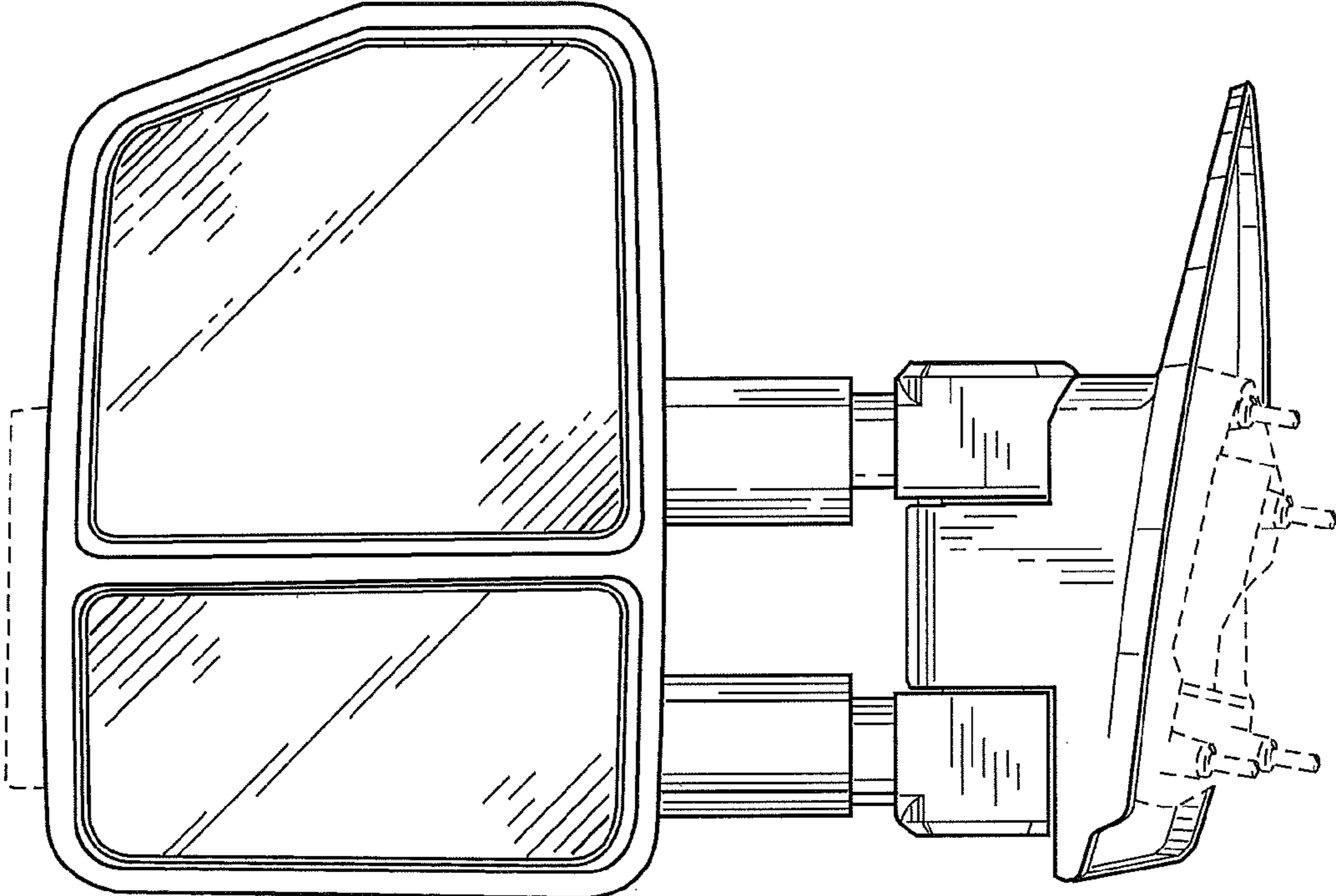


FIG. 3

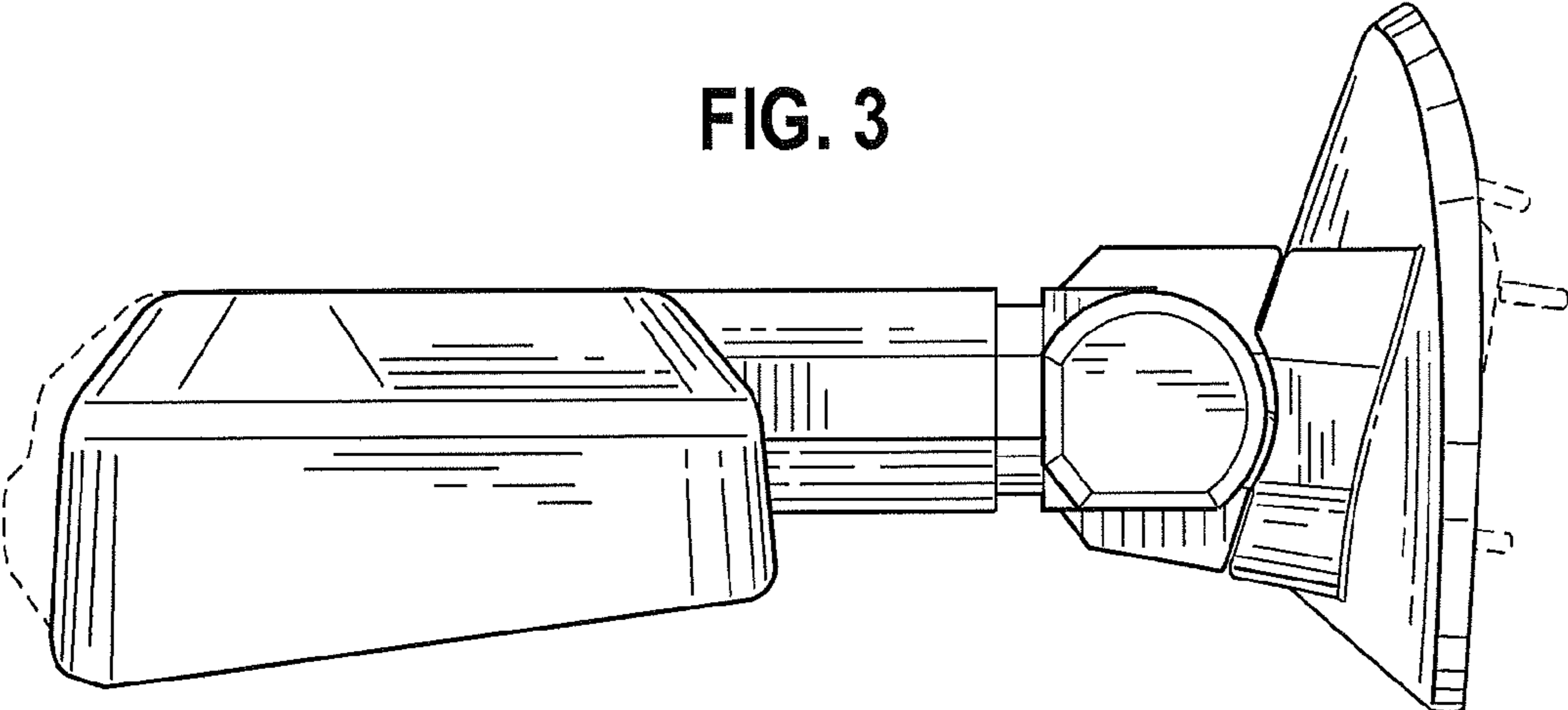


FIG. 4

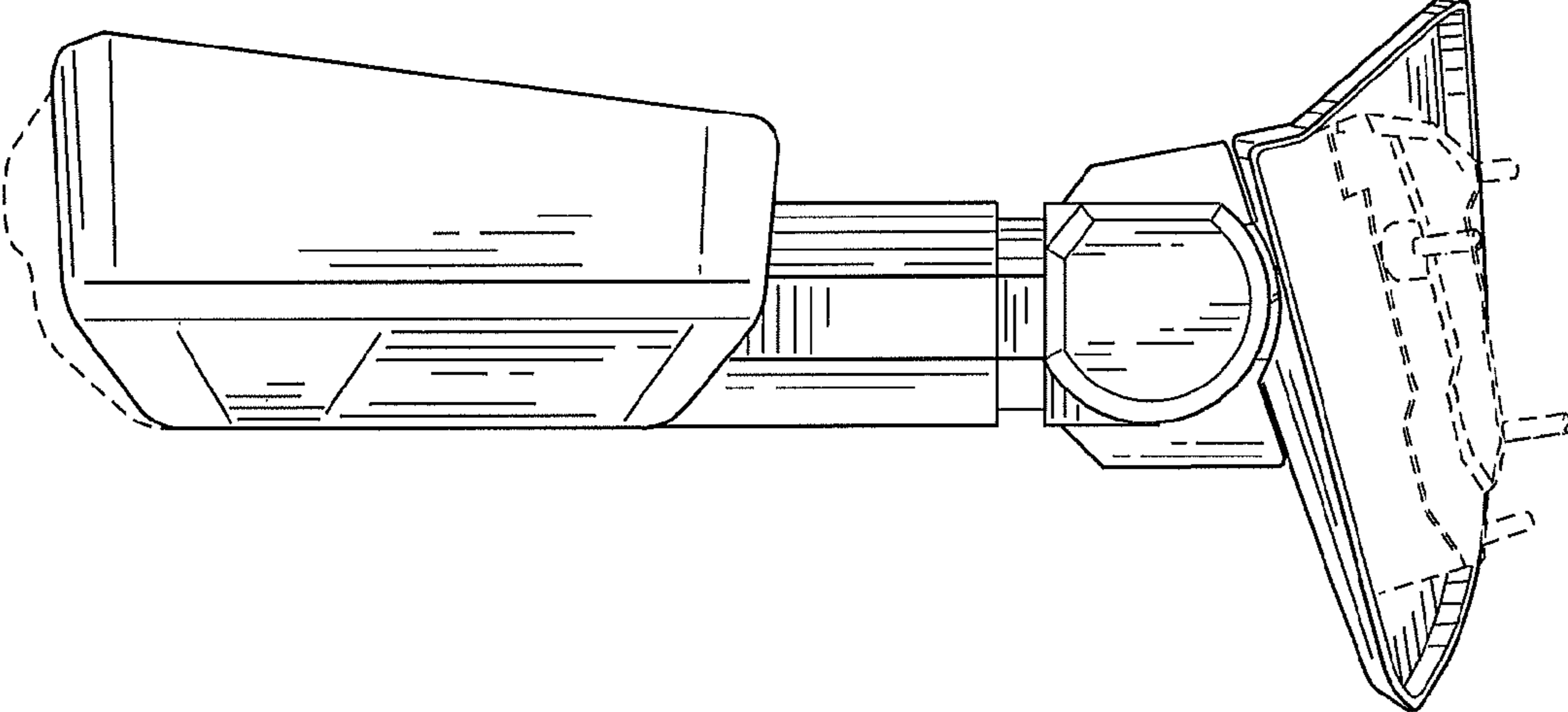


FIG. 5

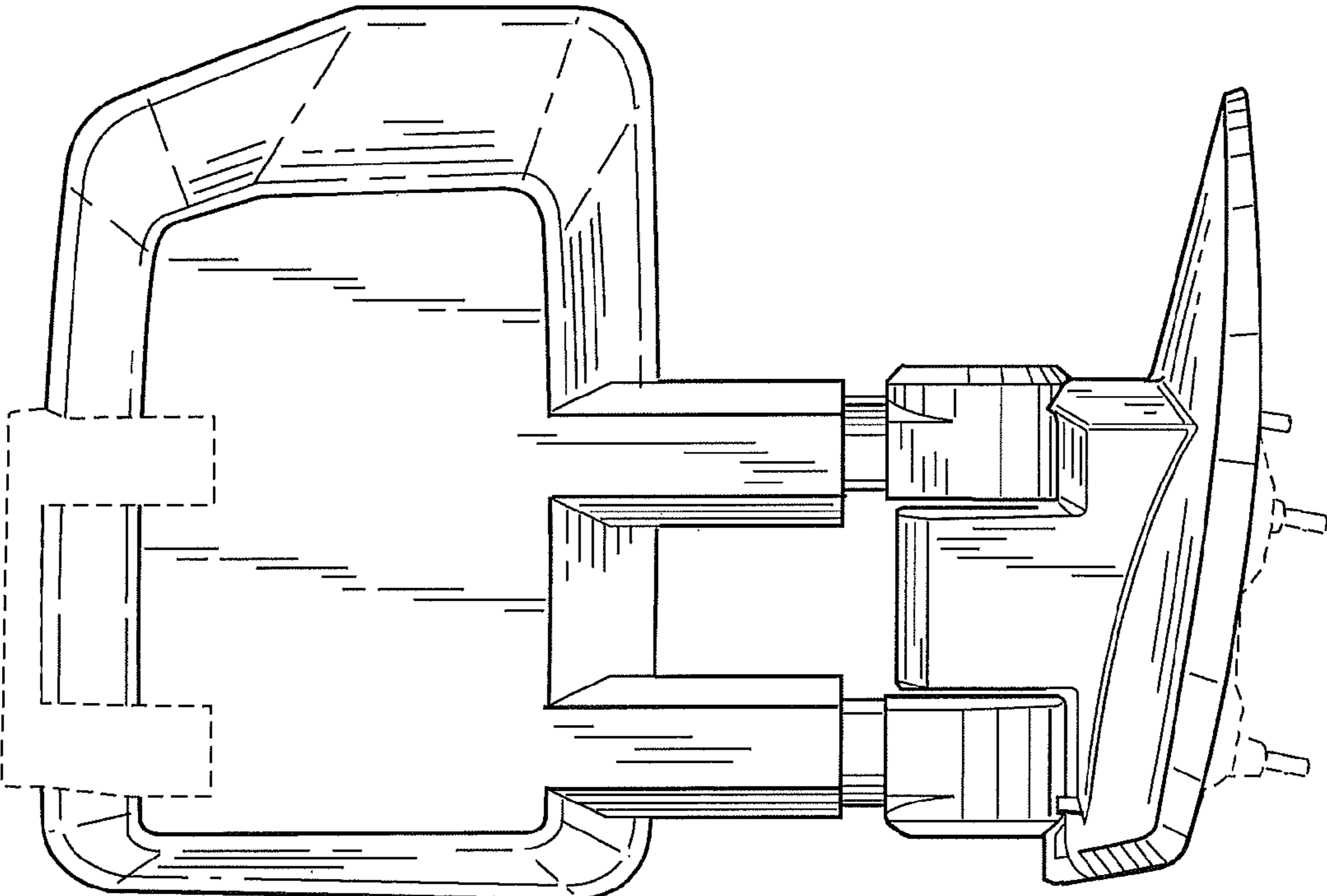


FIG. 6

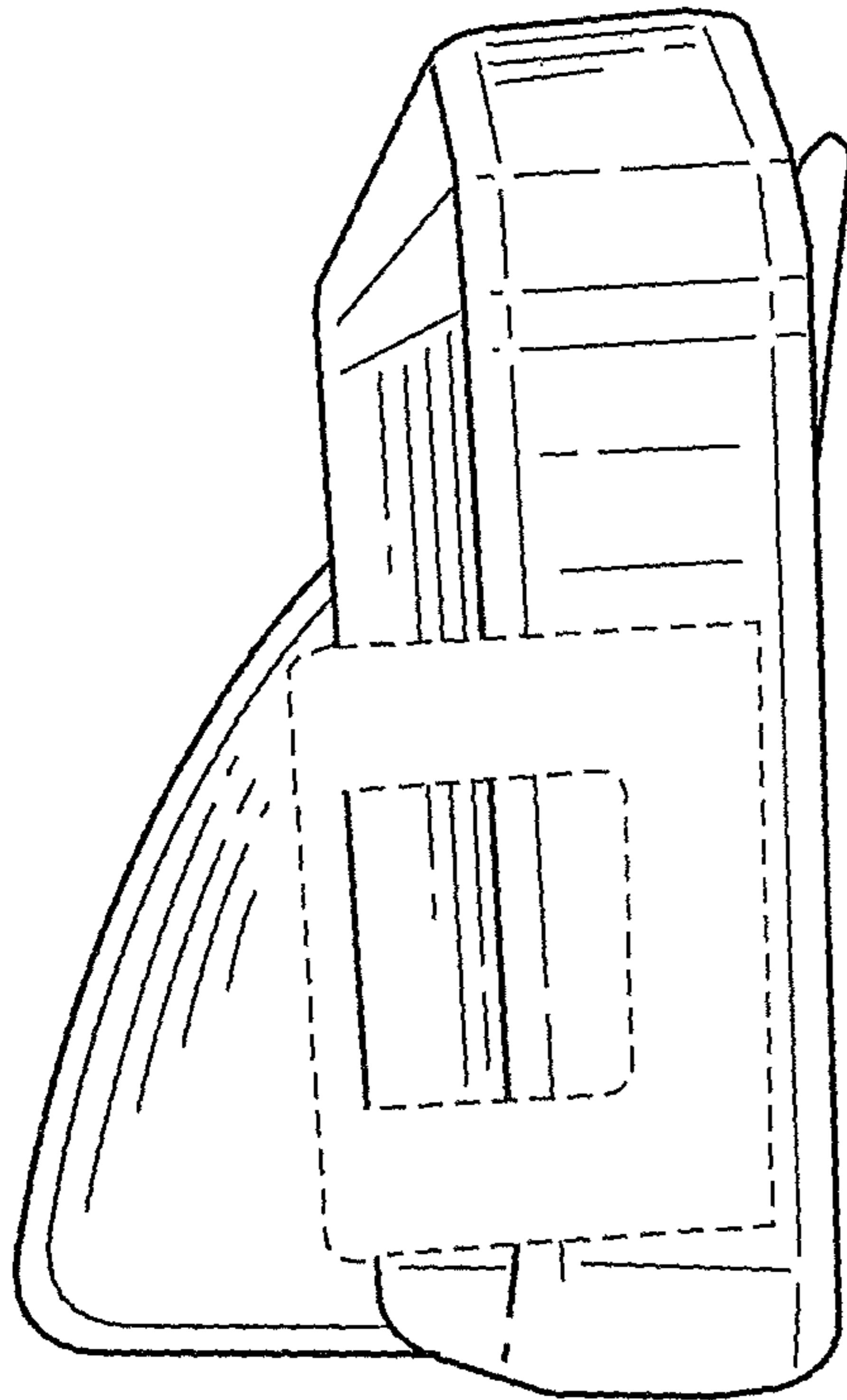


FIG. 7

