



US00D725014S

(12) **United States Design Patent**
Duff

(10) **Patent No.:** **US D725,014 S**
(45) **Date of Patent:** **** Mar. 24, 2015**

- (54) **VEHICLE SIDE VIEW MIRROR**
- (71) Applicant: **GM Global Technology Operations LLC, Detroit, MI (US)**
- (72) Inventor: **Richard S. Duff, Warren, MI (US)**
- (73) Assignee: **GM Global Technology Operations LLC, Detroit, MI (US)**
- (**) Term: **14 Years**
- (21) Appl. No.: **29/484,380**
- (22) Filed: **Mar. 8, 2014**
- (51) **LOC (10) Cl.** **12-16**
- (52) **U.S. Cl.**
USPC **D12/187**
- (58) **Field of Classification Search**
USPC D12/187, 188-189; D6/300, 309;
359/838, 841-844, 868, 871, 866;
248/479-483, 475.1
See application file for complete search history.

- D623,674 S * 9/2010 Wei et al. D16/101
- D636,311 S * 4/2011 Faghihzadeh D12/187
- D715,711 S * 10/2014 Blanski et al. D12/187
- D716,206 S * 10/2014 Thole et al. D12/187
- D716,207 S * 10/2014 Callum et al. D12/187
- 2006/0250423 A1* 11/2006 Kettle et al. 345/692
- 2009/0015955 A1* 1/2009 Muller 359/871

* cited by examiner

Primary Examiner — Katrina A Betton

(74) *Attorney, Agent, or Firm* — Mickki D. Murray; Parks Wood LLC

(57) **CLAIM**

The ornamental design for a vehicle side view mirror, as shown and described.

DESCRIPTION

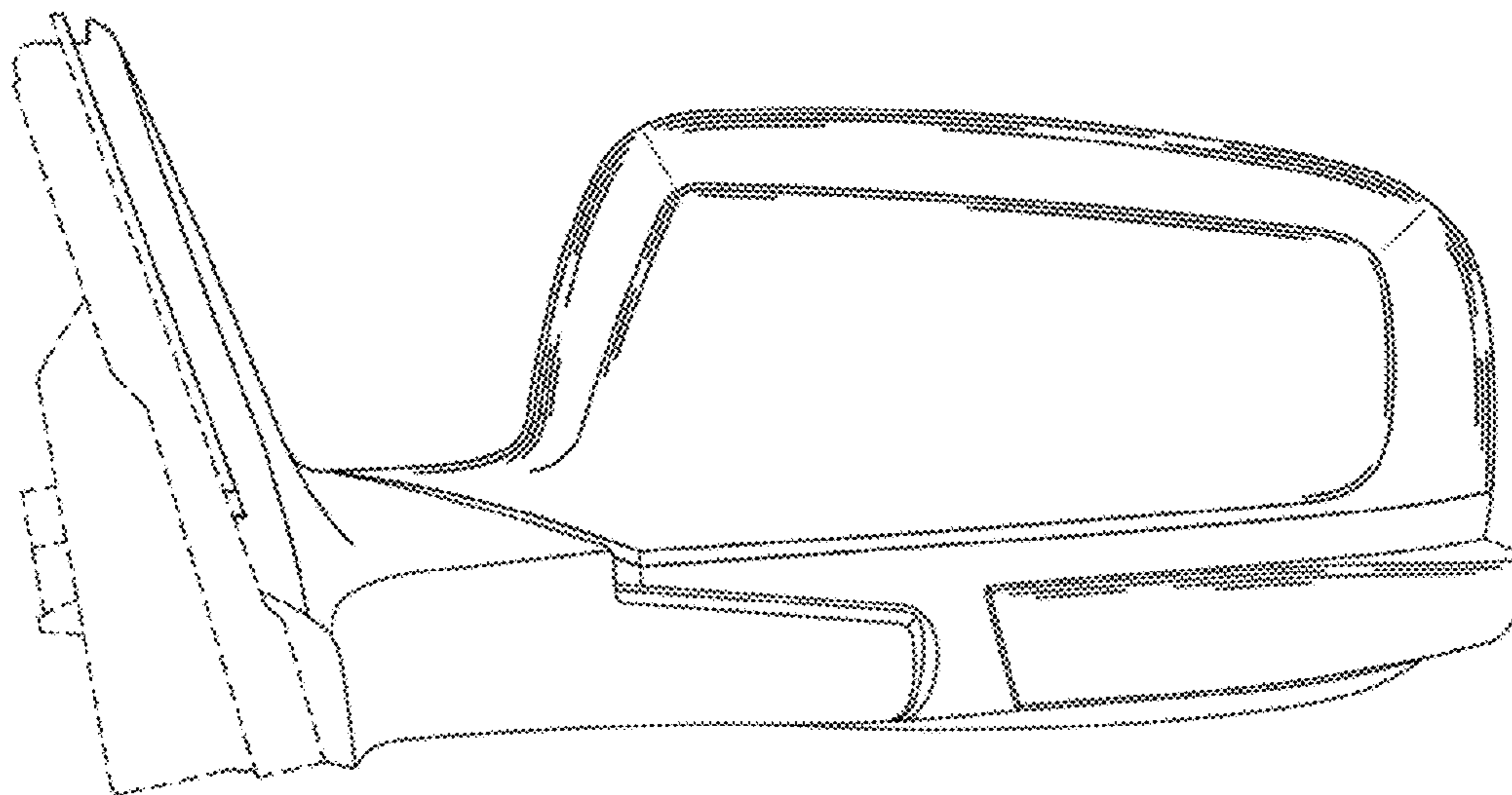
FIG. 1 is a perspective view of a vehicle side view mirror showing the new design;
FIG. 2 is a rear view, thereof;
FIG. 3 is a side view thereof; and,
FIG. 4 is a top plan view thereof.
The broken lines shown in the drawings illustrate portions of the vehicle side view mirror that form no part of claimed design.

1 Claim, 2 Drawing Sheets

(56) **References Cited**

U.S. PATENT DOCUMENTS

- D519,071 S * 4/2006 Moruzzi D12/187
- D609,151 S * 2/2010 Kouchi et al. D12/187



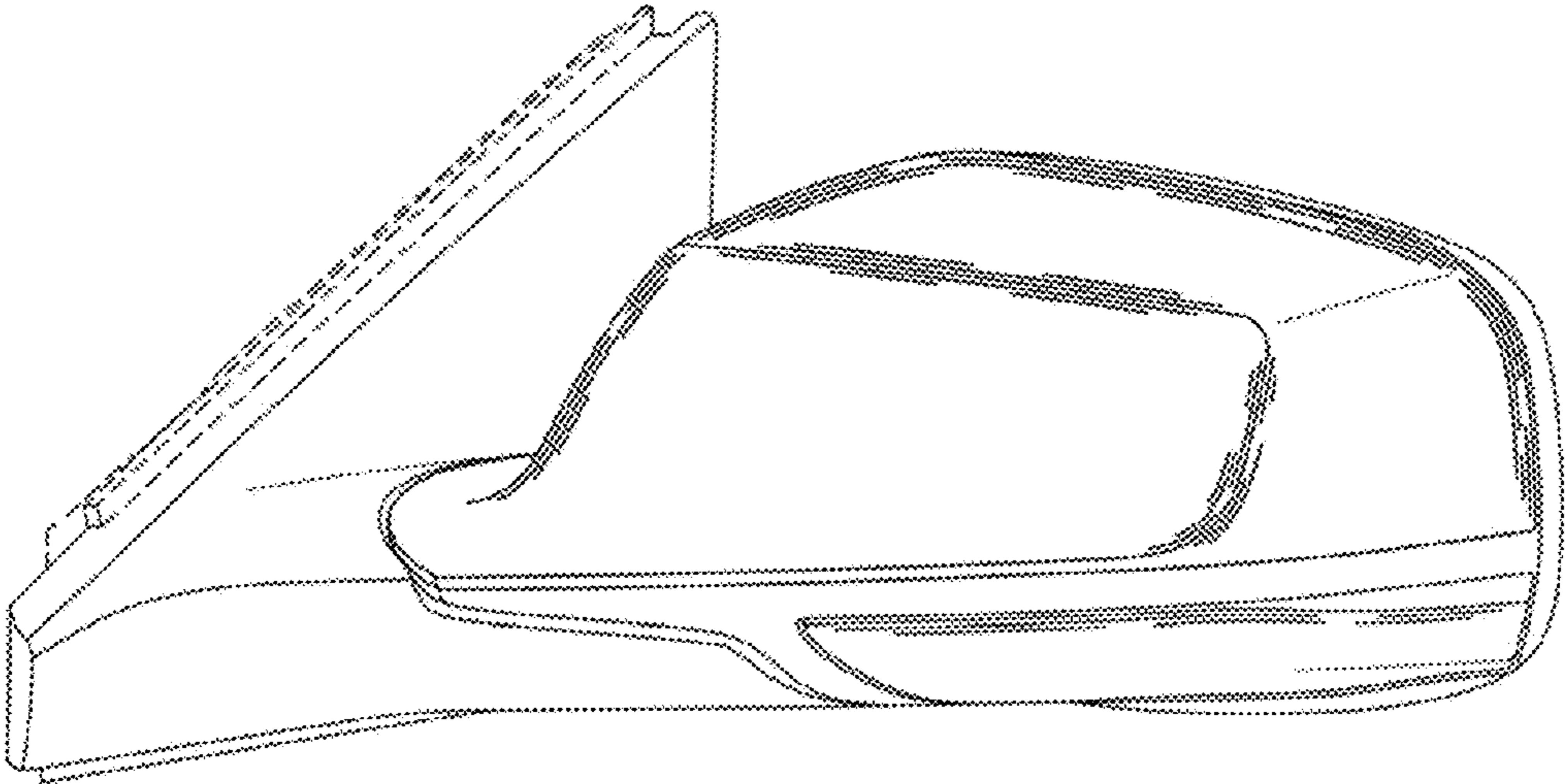


Fig-1

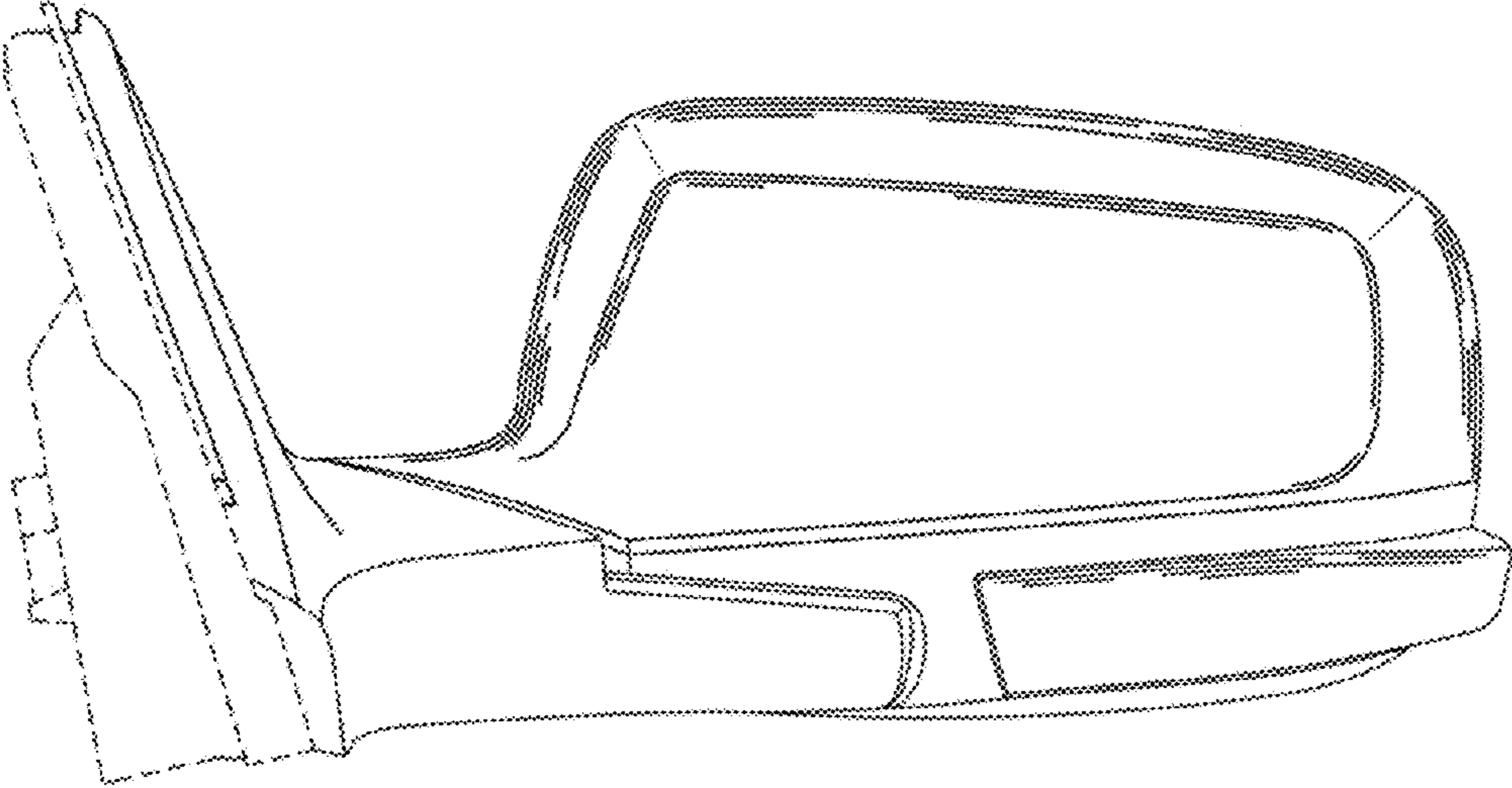


Fig-2

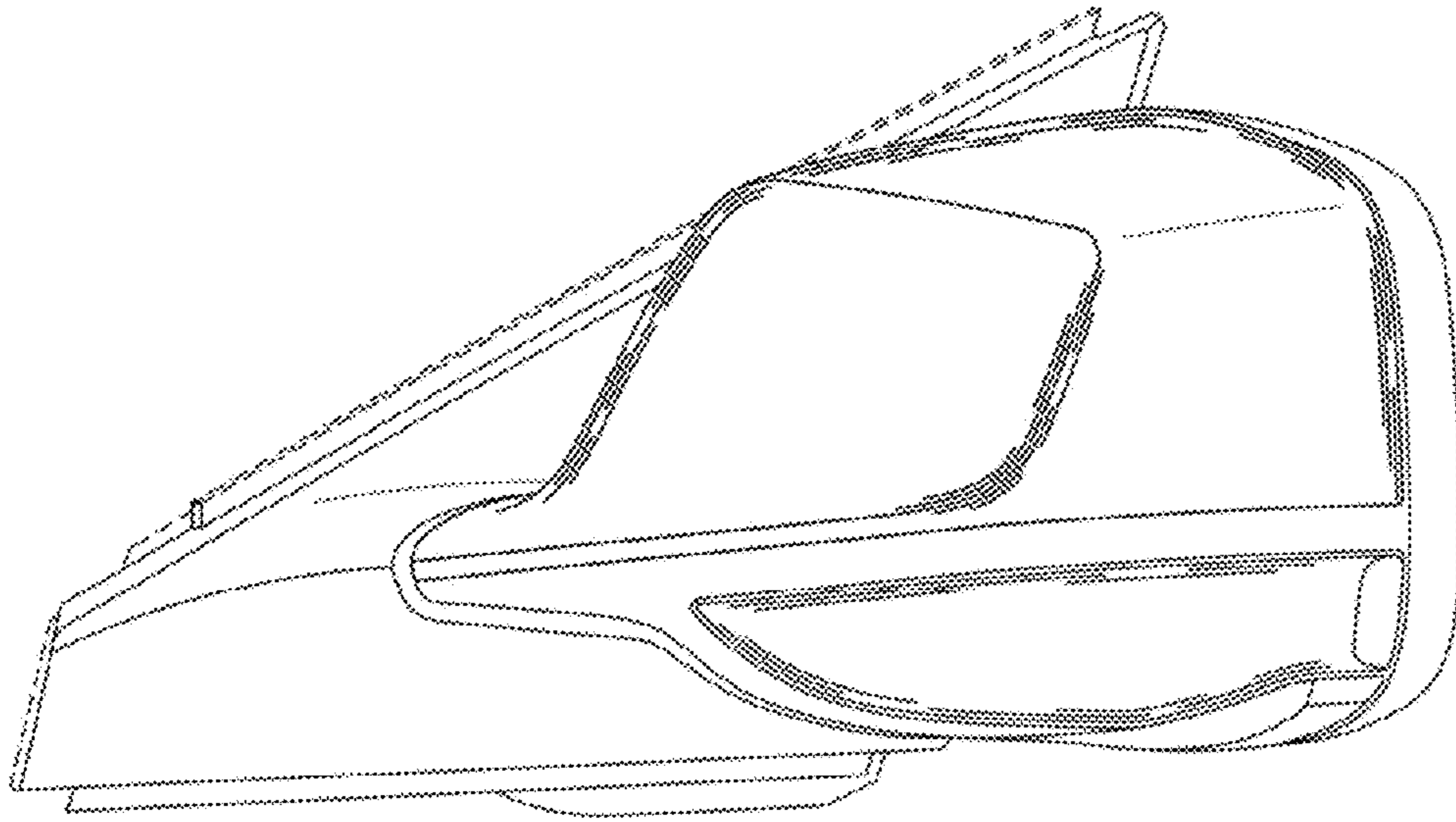


Fig-3

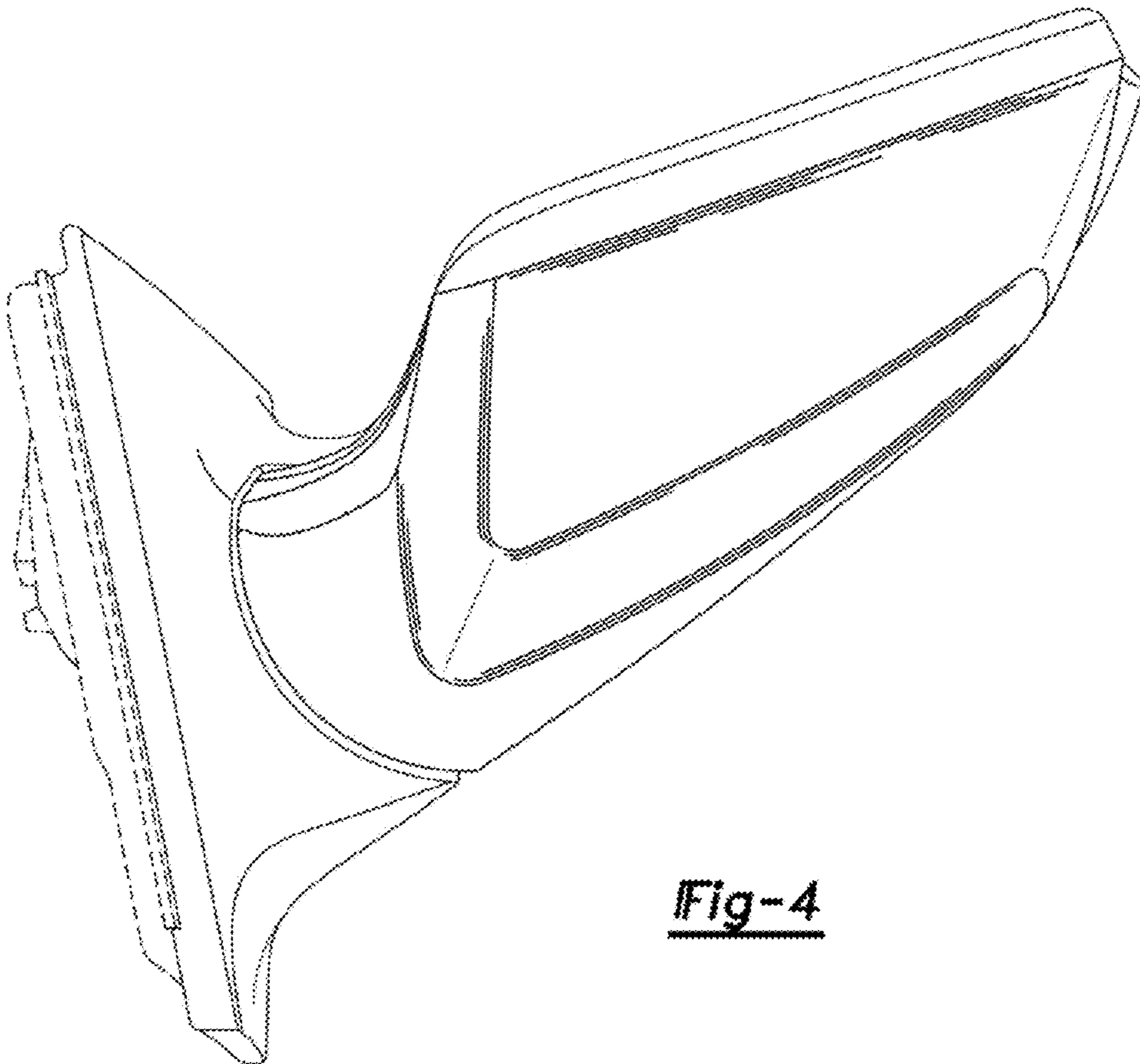


Fig-4