



US00D725013S

(12) **United States Design Patent**
Salinas

(10) **Patent No.:** **US D725,013 S**
(45) **Date of Patent:** **** Mar. 24, 2015**

- (54) **STEERING WHEEL TRAY**
- (71) Applicant: **Bernardino Salinas**, Waxahachie, TX (US)
- (72) Inventor: **Bernardino Salinas**, Waxahachie, TX (US)
- (**) Term: **14 Years**
- (21) Appl. No.: **29/489,760**
- (22) Filed: **May 2, 2014**
- (51) **LOC (10) Cl.** **12-16**
- (52) **U.S. Cl.**
USPC **D12/177**
- (58) **Field of Classification Search**
CPC B60N 3/005; B60N 3/002; B60N 3/001; B60N 3/004; B60R 11/00; B60R 2011/001; B60R 2011/005; B62B 13/08; B62B 13/10; A47B 13/08; A47B 13/081; A47B 17/06; A61G 12/008; A61M 5/1415; F16M 13/02; F16M 2200/00; F16M 11/42; F16M 13/04; F16M 13/022
USPC D12/177, 174, 175, 176, 400, 406, 415, D12/419, 425, 426.1; D19/88, 89, 90, 91, D19/92; D6/574, 704, 707.22; D7/500, 512, D7/550.1, 655, 551.1, 552.1, 395; D9/457, D9/434, 456, 499, 455; D20/10, 42, 35, D20/40, 41, 39; 108/44; 224/276, 400; 248/441.1, 447.2
See application file for complete search history.

(56) **References Cited**

U.S. PATENT DOCUMENTS

D271,558 S *	11/1983	Belland et al.	D7/398
D286,344 S *	10/1986	Hughes, Jr.	D12/420
4,753,472 A *	6/1988	Fout	294/32
4,915,035 A *	4/1990	Clark et al.	108/44
D327,200 S *	6/1992	Szablak et al.	D7/554.3
5,487,521 A *	1/1996	Callahan	248/441.1
5,511,493 A	4/1996	Kanehl		
D393,437 S *	4/1998	Boehm	D12/177

5,749,305 A *	5/1998	Jacovelli	108/44
D414,516 S *	9/1999	Lopez	D20/10
6,036,158 A *	3/2000	Raasch	248/441.1
D422,461 S *	4/2000	Gessert	D7/688
D426,754 S *	6/2000	Kim	D7/688
6,148,738 A	11/2000	Richter		
D436,135 S *	1/2001	Emert	D20/10
D437,273 S *	2/2001	Chen	D12/177
6,287,659 B1 *	9/2001	Robbins et al.	428/43
D501,341 S *	2/2005	Cassidy et al.	D6/509
7,216,789 B2	5/2007	Caradimos		
D566,634 S *	4/2008	Krusell	D12/177
D614,549 S	4/2010	Salazar		
D651,255 S *	12/2011	Ingouville	D20/41

(Continued)

Primary Examiner — Cathron Brooks
Assistant Examiner — Clese Moore, Jr.
(74) *Attorney, Agent, or Firm* — Daniel Boudwin; Global Intellectual Property Agency LLC

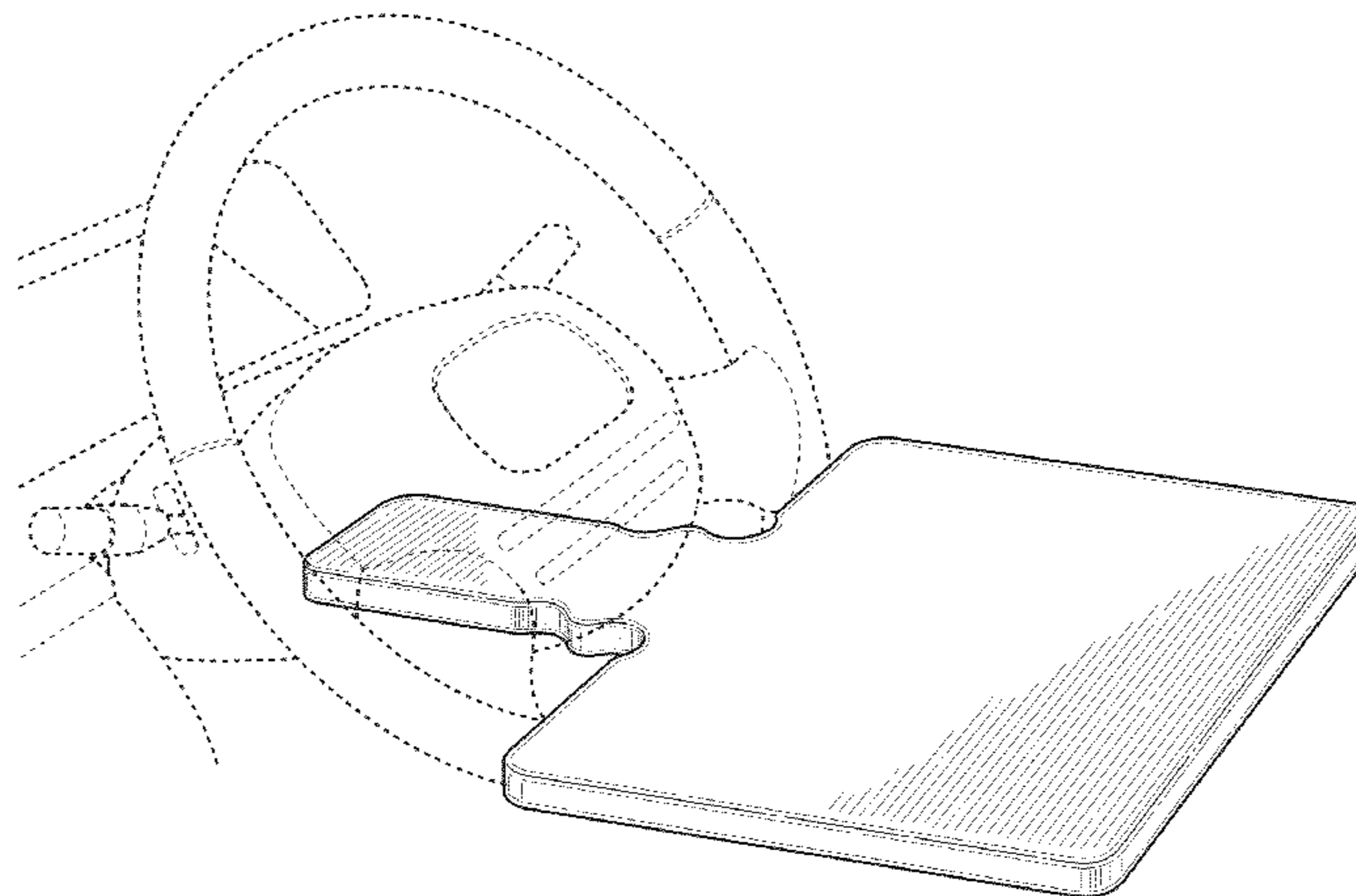
(57) **CLAIM**

The ornamental design for a steering wheel tray, as shown and described.

DESCRIPTION

FIG. 1 shows a perspective view of the steering wheel tray in a working state.
FIG. 2 shows an overhead view of the steering wheel tray of the present invention.
FIG. 3 shows an underside view of the steering wheel tray of the present invention.
FIG. 4 shows a first side view of the steering wheel tray of the present invention.
FIG. 5 shows a second view of the steering wheel tray of the present invention.
FIG. 6 shows a first end view of the steering wheel tray of the present invention; and,
FIG. 7 shows a second end view of the steering wheel tray of the present invention.
The broken lines shown in FIG. 1 are for the purpose of illustrating environmental structure and form no part of the claimed design.

1 Claim, 4 Drawing Sheets



US D725,013 S

Page 2

(56)

References Cited

U.S. PATENT DOCUMENTS

			D711,467 S *	8/2014	Rhodes	D19/113	
			D715,605 S *	10/2014	Zemel et al.	D7/692	
			2004/0083930 A1	5/2004	Han		
8,096,517 B1	1/2012	Hamilton					
D678,005 S *	3/2013	Zemel et al.	D7/688				* cited by examiner

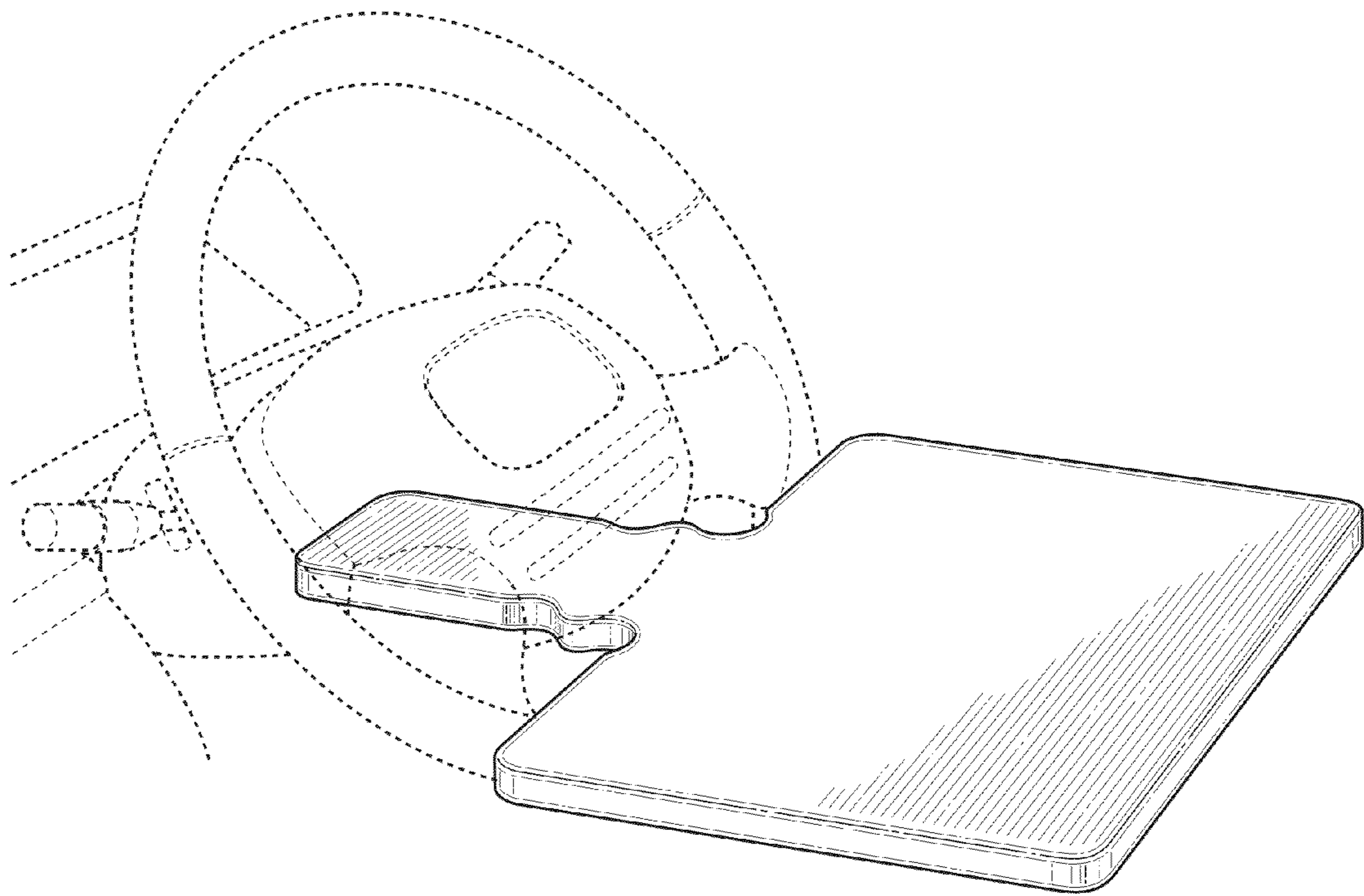


FIG. 1

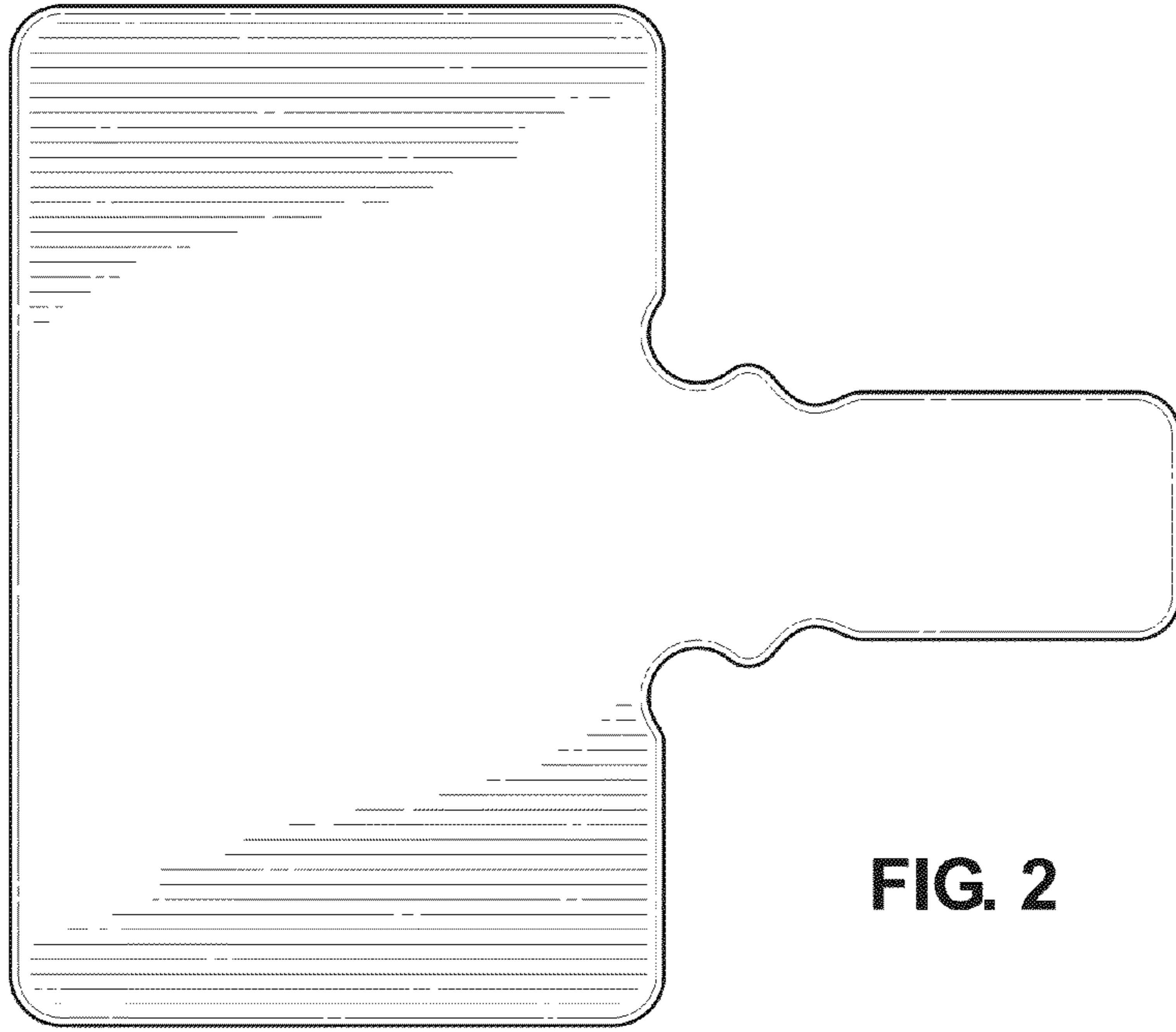


FIG. 2

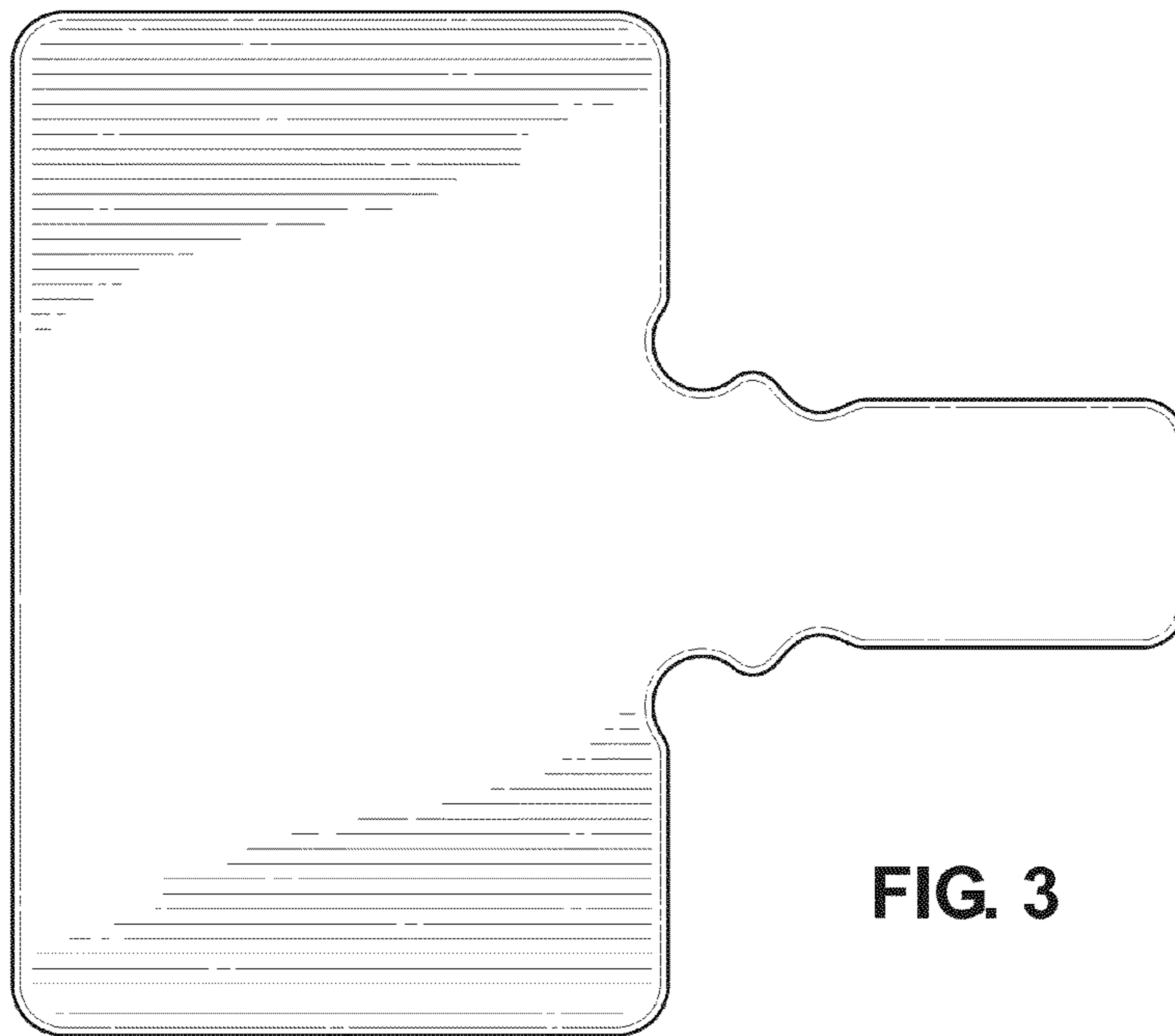


FIG. 3



FIG. 4



FIG. 5



FIG. 6



FIG. 7