



US00D725012S

(12) **United States Design Patent**
Murase

(10) **Patent No.:** **US D725,012 S**
(45) **Date of Patent:** **** Mar. 24, 2015**

(54) **FRONT BUMPER FOR AUTOMOBILE**

(71) Applicant: **Fuji Jukogyo Kabushiki Kaisha**, Tokyo (JP)

(72) Inventor: **Shinya Murase**, Tokyo (JP)

(73) Assignee: **Fuji Jukogyo Kabushiki Kaisha**, Tokyo (JP)

(**) Term: **14 Years**

(21) Appl. No.: **29/494,884**

(22) Filed: **Jun. 25, 2014**

(30) **Foreign Application Priority Data**

Dec. 25, 2013 (JP) 2013-030328

(51) **LOC (10) Cl.** **12-16**

(52) **U.S. Cl.**
USPC **D12/169**

(58) **Field of Classification Search**
USPC D12/86, 90, 91, 92, 163, 164, 169, 171,
D12/196, 216; 180/68.4, 68.6; 293/102,
293/112, 113, 115, 117, 120; 296/180.1,
296/180.2

See application file for complete search history.

(56) **References Cited**

U.S. PATENT DOCUMENTS

D626,473 S * 11/2010 Mueller D12/169
D633,013 S * 2/2011 Bauer et al. D12/169
D637,945 S * 5/2011 Nakagawa D12/169
D643,350 S * 8/2011 Furst D12/169
D647,010 S * 10/2011 Karras et al. D12/169
D656,871 S * 4/2012 Fetherston et al. D12/169
D668,189 S * 10/2012 Gifford D12/169
D675,139 S * 1/2013 Yamamoto et al. D12/169

D691,526 S * 10/2013 Uchino D12/169
D699,166 S * 2/2014 Abe et al. D12/169
D703,118 S * 4/2014 Gueler et al. D12/169
2013/0076074 A1 * 3/2013 Hirose et al. 296/193.1
2013/0107046 A1 * 5/2013 Forgue 348/148

FOREIGN PATENT DOCUMENTS

EP 1736381 A1 * 12/2006 B60R 19/18
JP 2006088735 A * 4/2006 B60R 19/18
JP 2012158329 A * 8/2012 B60R 19/18
JP 2013023058 A * 2/2013 B60R 19/18

* cited by examiner

Primary Examiner — Philip S Hyder

Assistant Examiner — Darlington Ly

(74) *Attorney, Agent, or Firm* — Schiff Hardin LLP

(57) **CLAIM**

The ornamental design for a front bumper for automobile, as shown and described.

DESCRIPTION

FIG. 1 is a front perspective view for a “front bumper for automobile” showing my new design, FIG. 2 is a rear perspective view thereof, FIG. 3 is a front view thereof, FIG. 4 is a rear view thereof, FIG. 5 is a left-side view thereof, FIG. 6 is a right-side view thereof, FIG. 7 is a top view thereof; and, FIG. 8 is a bottom view thereof.

The design includes a contrast in color. However, no particular colors are claimed. Both the light and darken portions of the front bumper for automobile and the contrasting relationship between colors therein form a part of the claimed design.

1 Claim, 8 Drawing Sheets

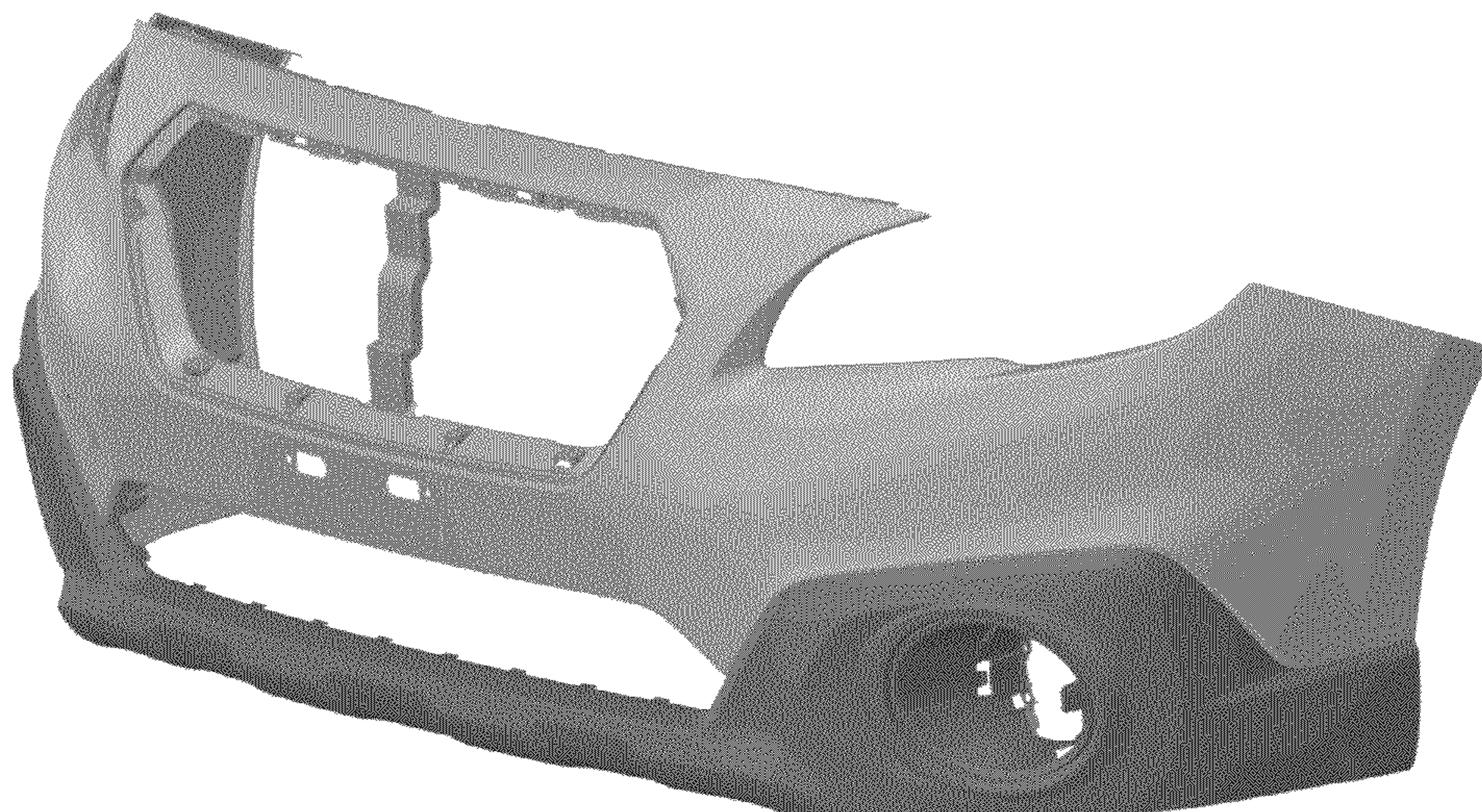


Fig. 1

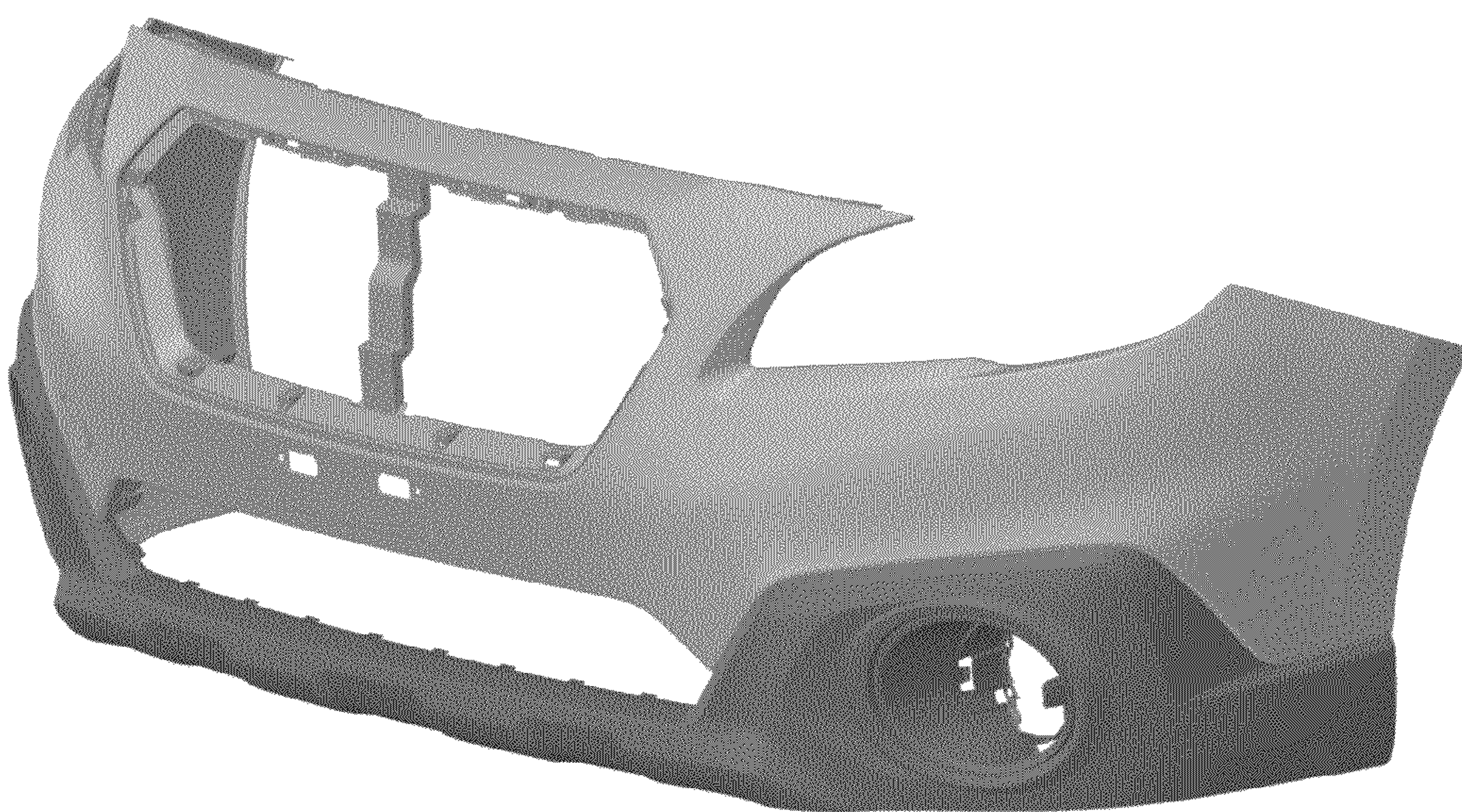


Fig. 2

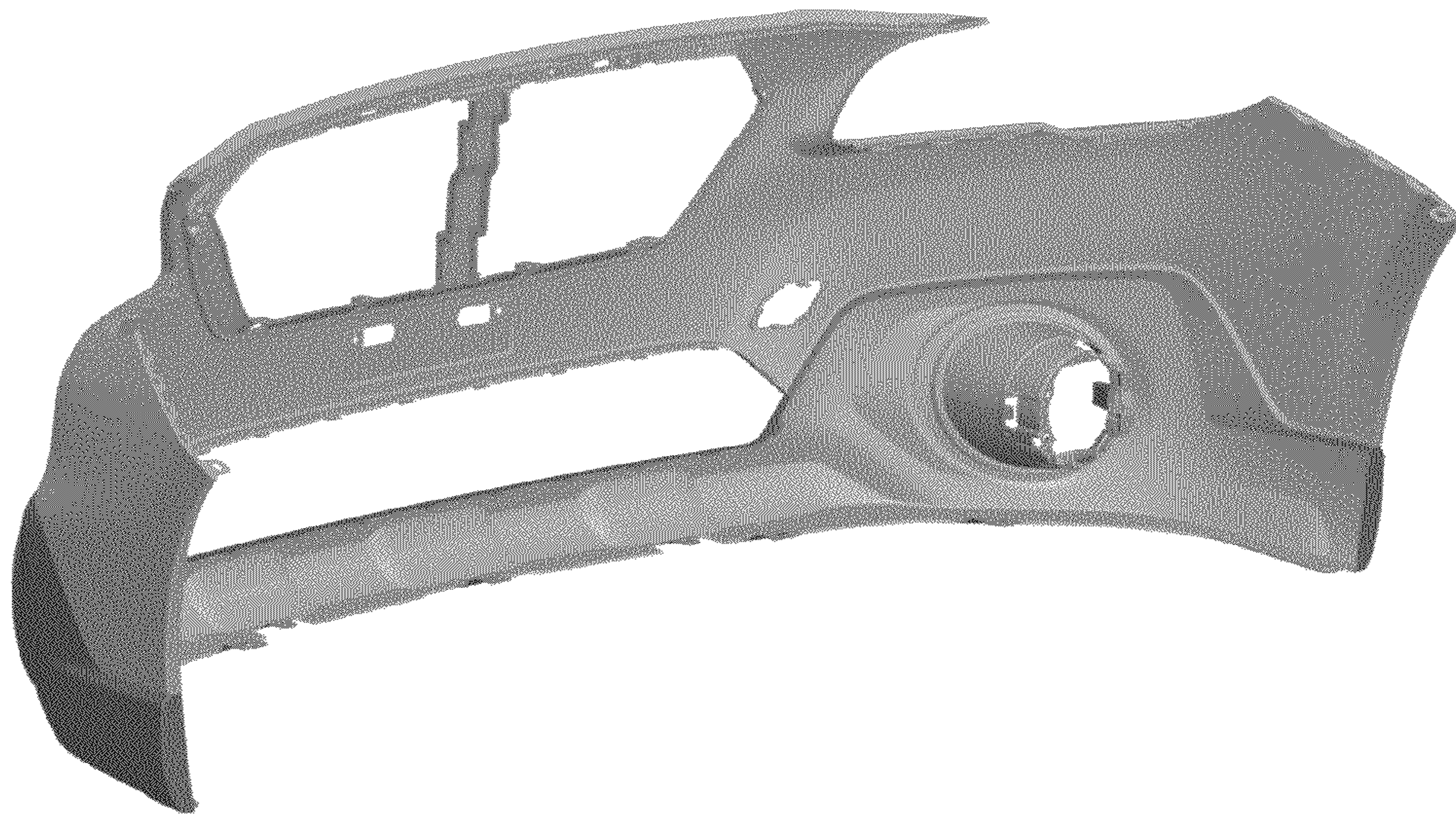


Fig. 3

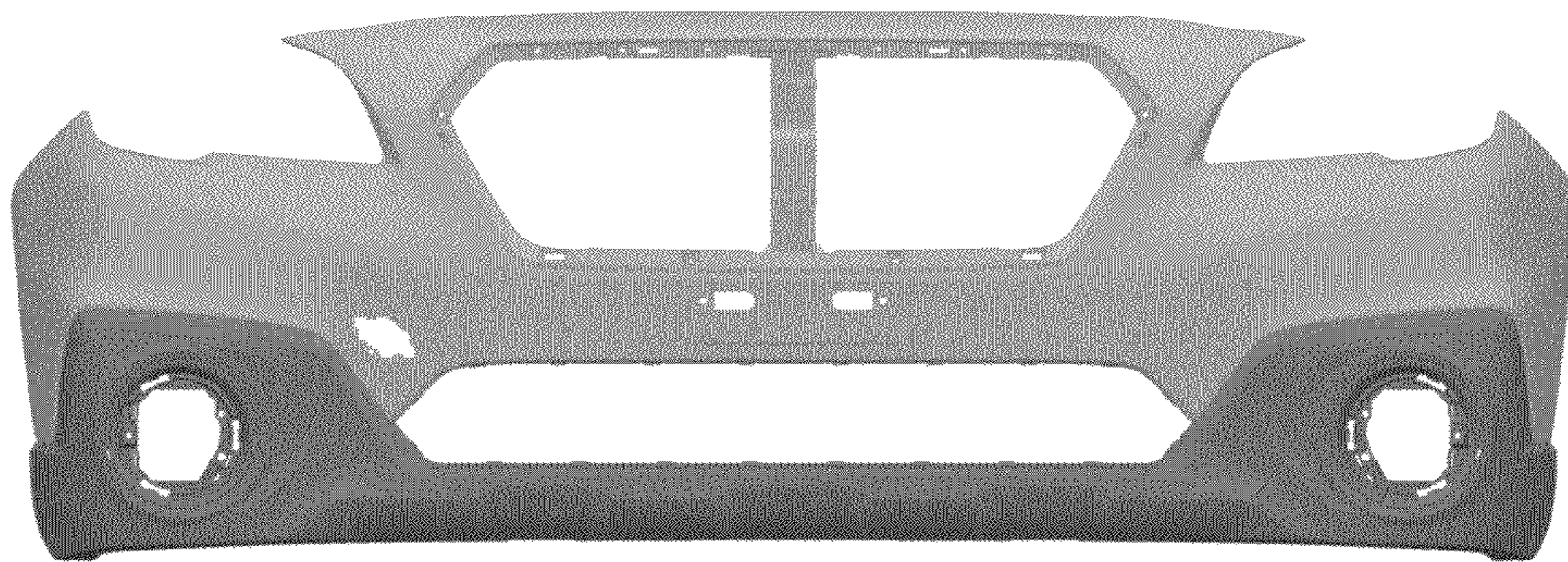


Fig. 4

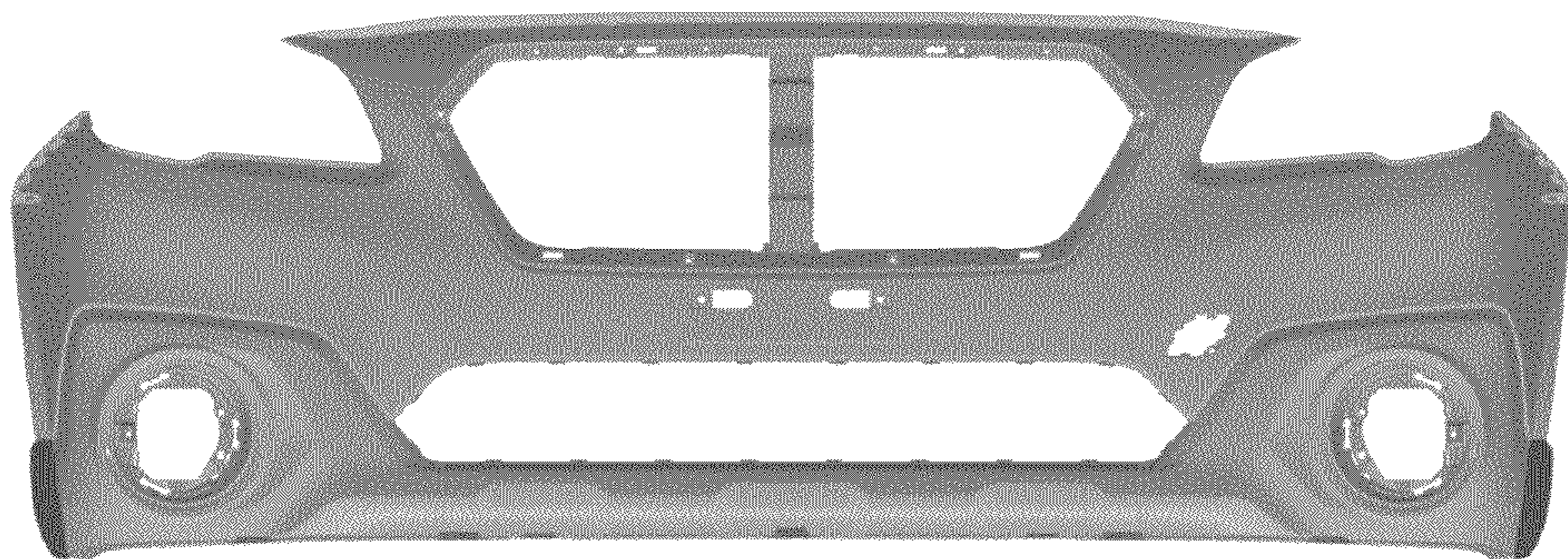


Fig. 5

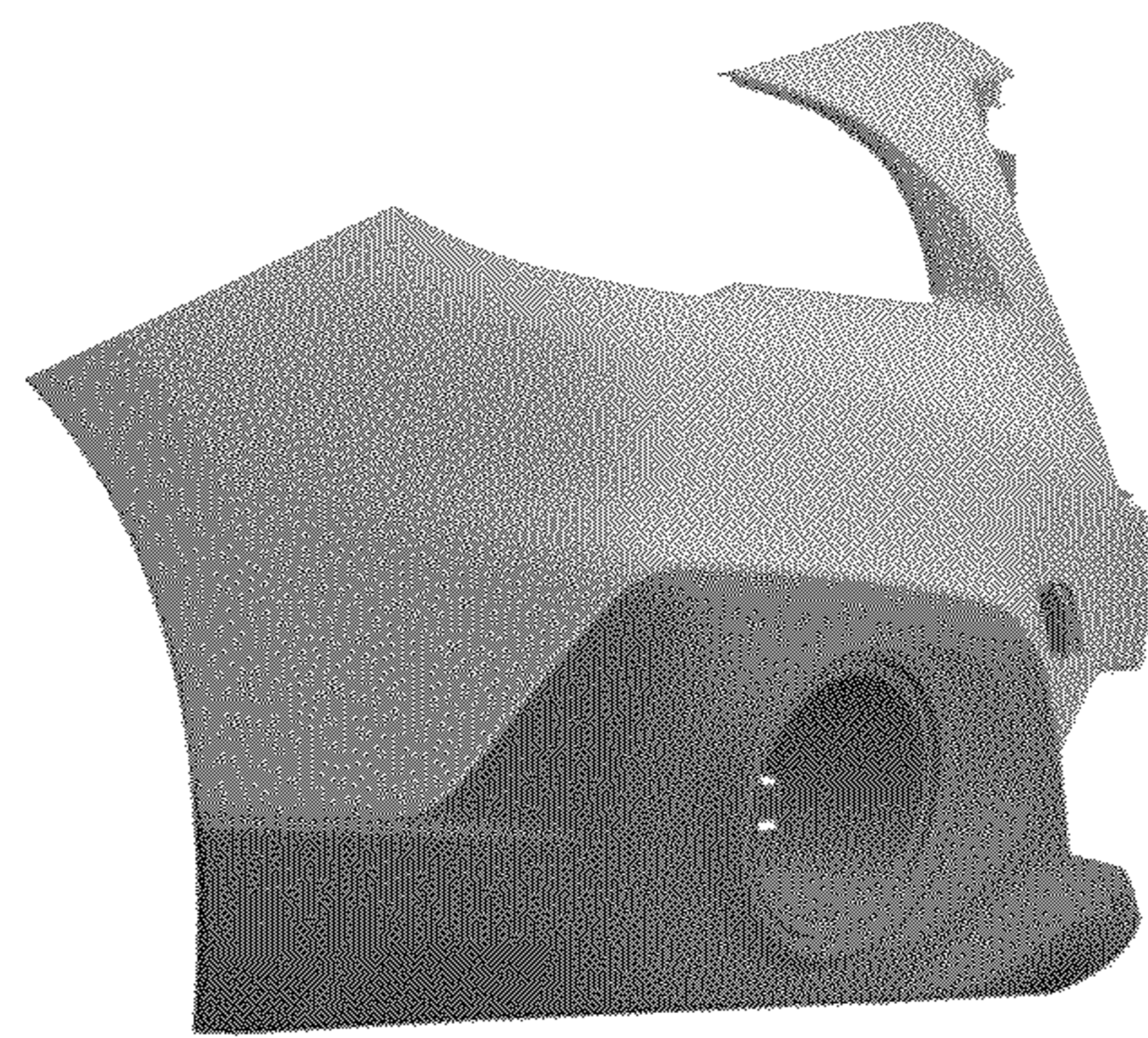


Fig. 6

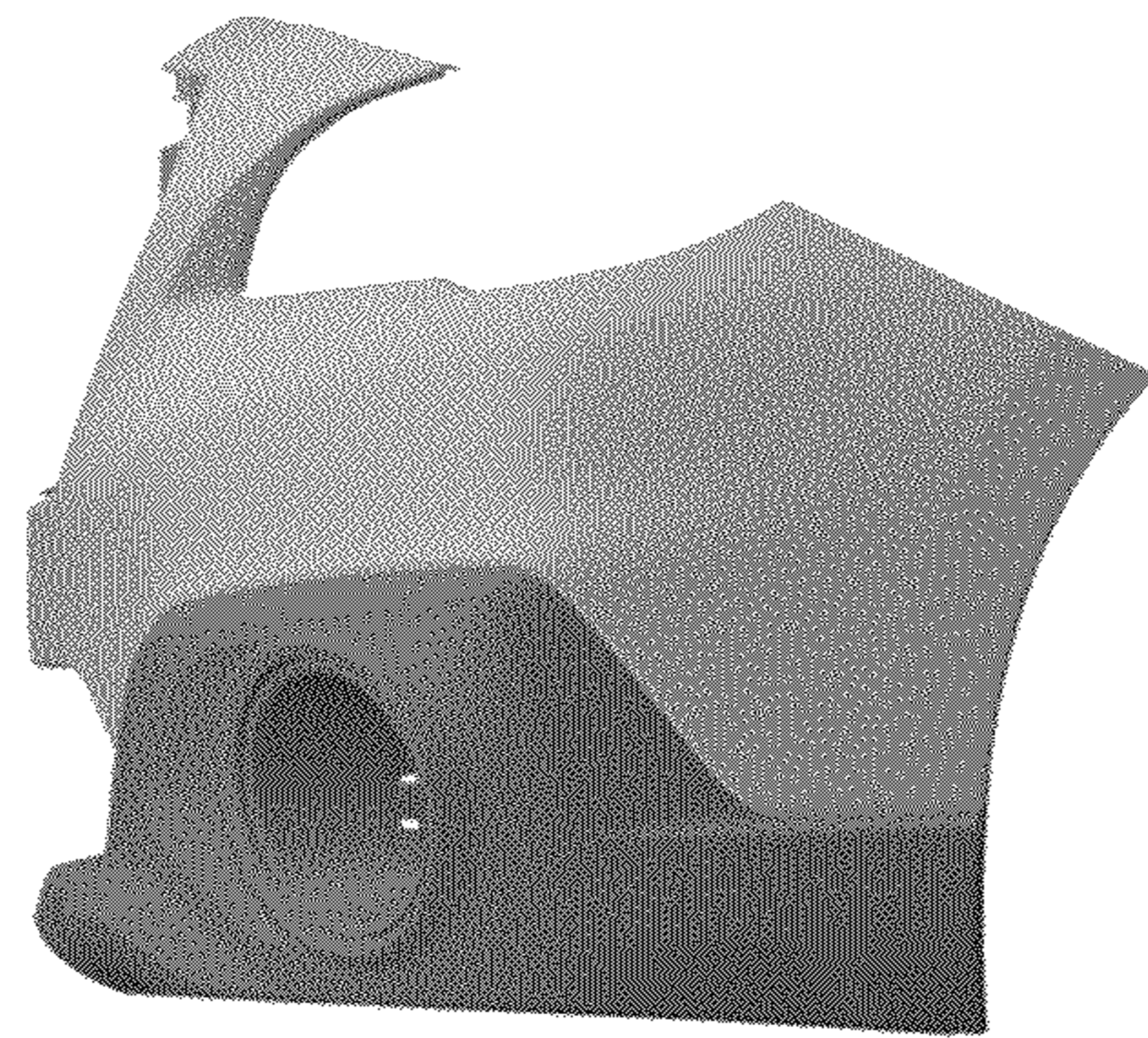


Fig. 7

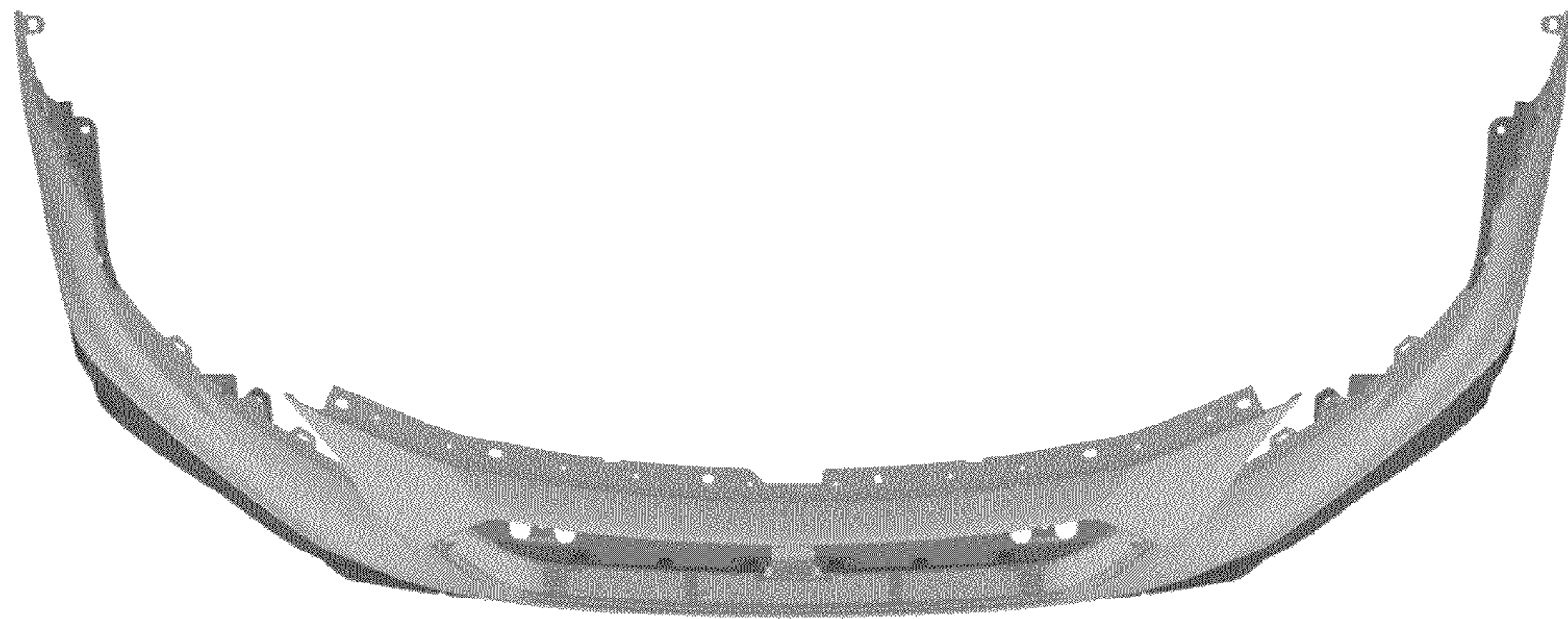


Fig. 8

