



US00D725011S

(12) **United States Design Patent**  
**Kobayashi**

(10) **Patent No.:** **US D725,011 S**  
(45) **Date of Patent:** **\*\* Mar. 24, 2015**

(54) **FRONT BUMPER FOR AUTOMOBILE**

(71) Applicant: **Fuji Jukogyo Kabushiki Kaisha**, Tokyo (JP)

(72) Inventor: **Hiroyuki Kobayashi**, Tokyo (JP)

(73) Assignee: **Fuji Jukogyo Kabushiki Kaisha**, Tokyo (JP)

(\*\*) Term: **14 Years**

(21) Appl. No.: **29/494,878**

(22) Filed: **Jun. 25, 2014**

(30) **Foreign Application Priority Data**

Dec. 25, 2013 (JP) ..... 2013-030327

(51) **LOC (10) Cl.** ..... **12-16**

(52) **U.S. Cl.**  
USPC ..... **D12/169**

(58) **Field of Classification Search**  
USPC ..... D12/86, 90, 91, 92, 163, 164, 169, 171,  
D12/196, 216; 180/68.4, 68.6; 293/102,  
293/112, 113, 115, 117, 120; 296/180.1,  
296/180.2

See application file for complete search history.

(56) **References Cited**

**U.S. PATENT DOCUMENTS**

D626,473 S \* 11/2010 Mueller ..... D12/169  
D633,013 S \* 2/2011 Bauer et al. .... D12/169  
D637,945 S \* 5/2011 Nakagawa ..... D12/169  
D643,350 S \* 8/2011 Furst ..... D12/169

D647,010 S \* 10/2011 Karras et al. .... D12/169  
D656,871 S \* 4/2012 Fetherston et al. .... D12/169  
D668,189 S \* 10/2012 Gifford ..... D12/169  
D675,139 S \* 1/2013 Yamamoto et al. .... D12/169  
D691,526 S \* 10/2013 Uchino ..... D12/169  
D699,166 S \* 2/2014 Abe et al. .... D12/169  
D703,118 S \* 4/2014 Gueler et al. .... D12/169  
2013/0076074 A1\* 3/2013 Hirose et al. .... 296/193.1  
2013/0107046 A1\* 5/2013 Forgue ..... 348/148

**FOREIGN PATENT DOCUMENTS**

EP 1736381 A1 \* 12/2006 ..... B60R 19/18  
JP 2006088735 A \* 4/2006 ..... B60R 19/18  
JP 2012158329 A \* 8/2012 ..... B60R 19/18  
JP 2013023058 A \* 2/2013 ..... B60R 19/18

\* cited by examiner

*Primary Examiner* — Celia Murphy

*Assistant Examiner* — Darlington Ly

(74) *Attorney, Agent, or Firm* — Schiff Hardin LLP

(57) **CLAIM**

The ornamental design for a front bumper for automobile, as shown and described.

**DESCRIPTION**

FIG. 1 is a front perspective view for a “front bumper for automobile” showing my new design,  
FIG. 2 is a rear perspective view thereof,  
FIG. 3 is a front view thereof,  
FIG. 4 is a rear view thereof,  
FIG. 5 is a left-side view thereof,  
FIG. 6 is a right-side view thereof,  
FIG. 7 is a top view thereof; and,  
FIG. 8 is a bottom view thereof.

**1 Claim, 8 Drawing Sheets**

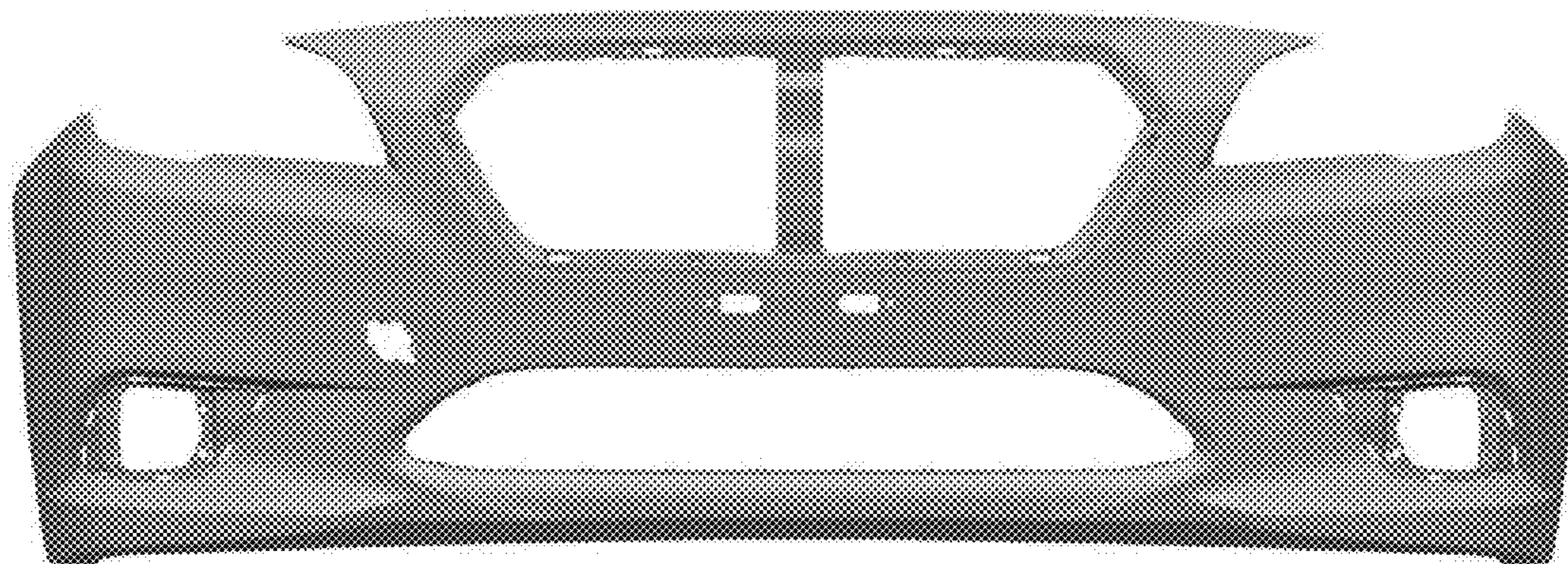


Fig. 1

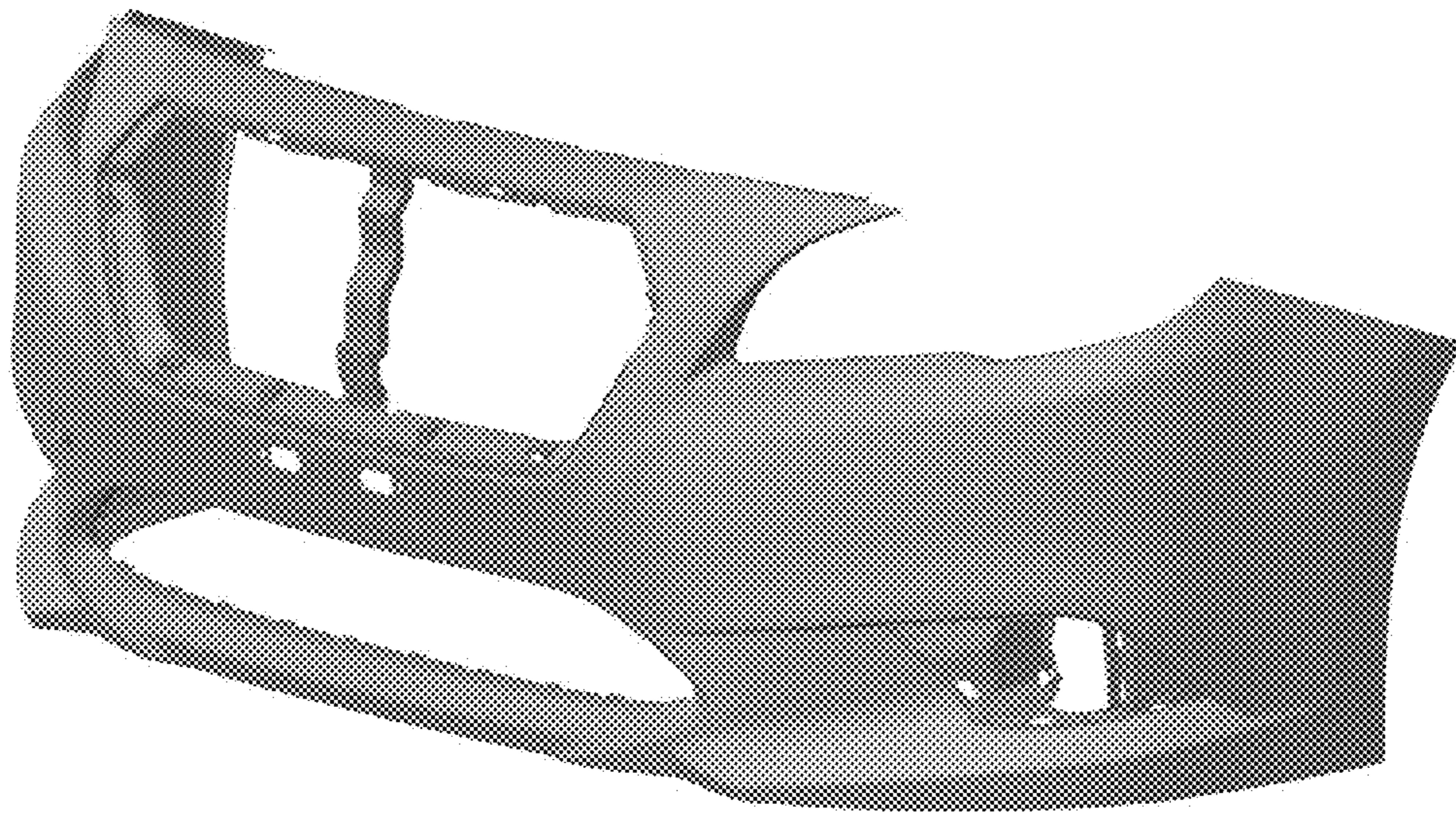




Fig. 2

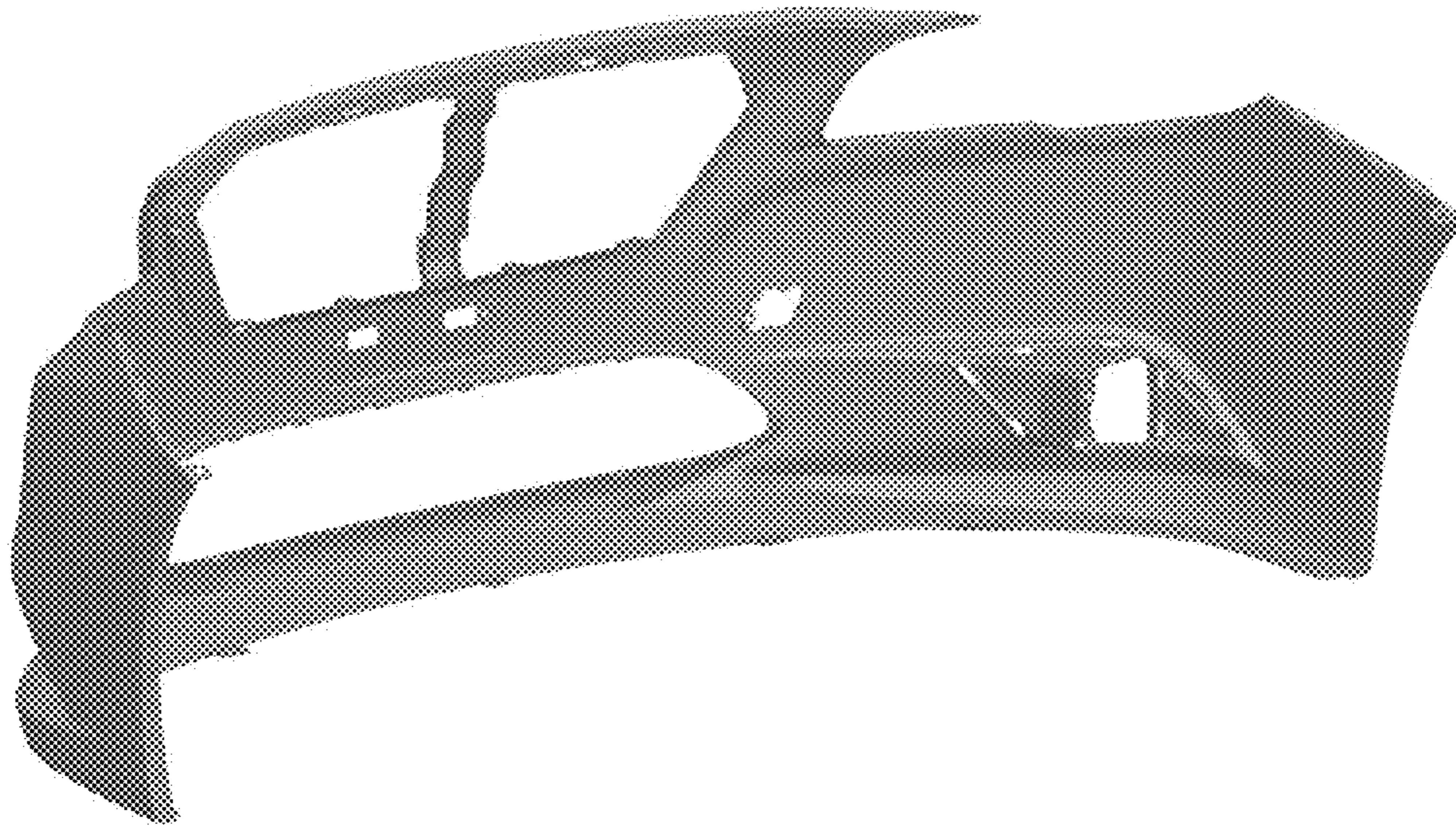


Fig. 3

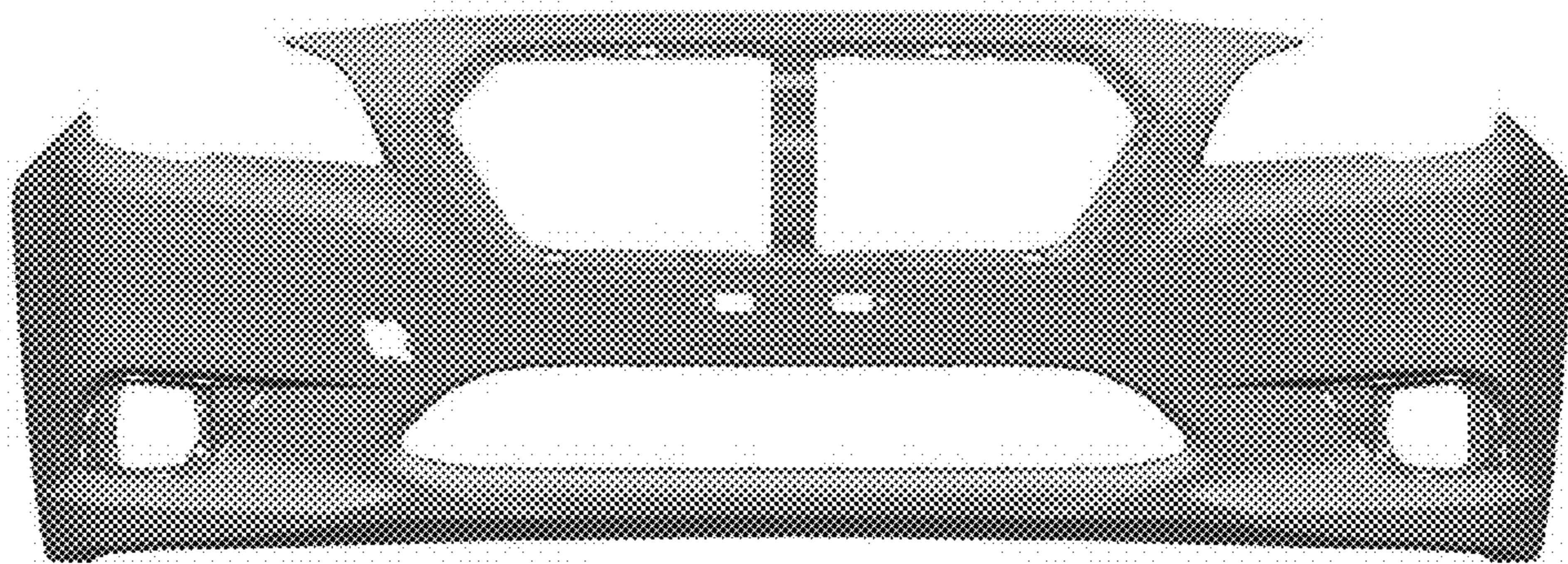


Fig. 4

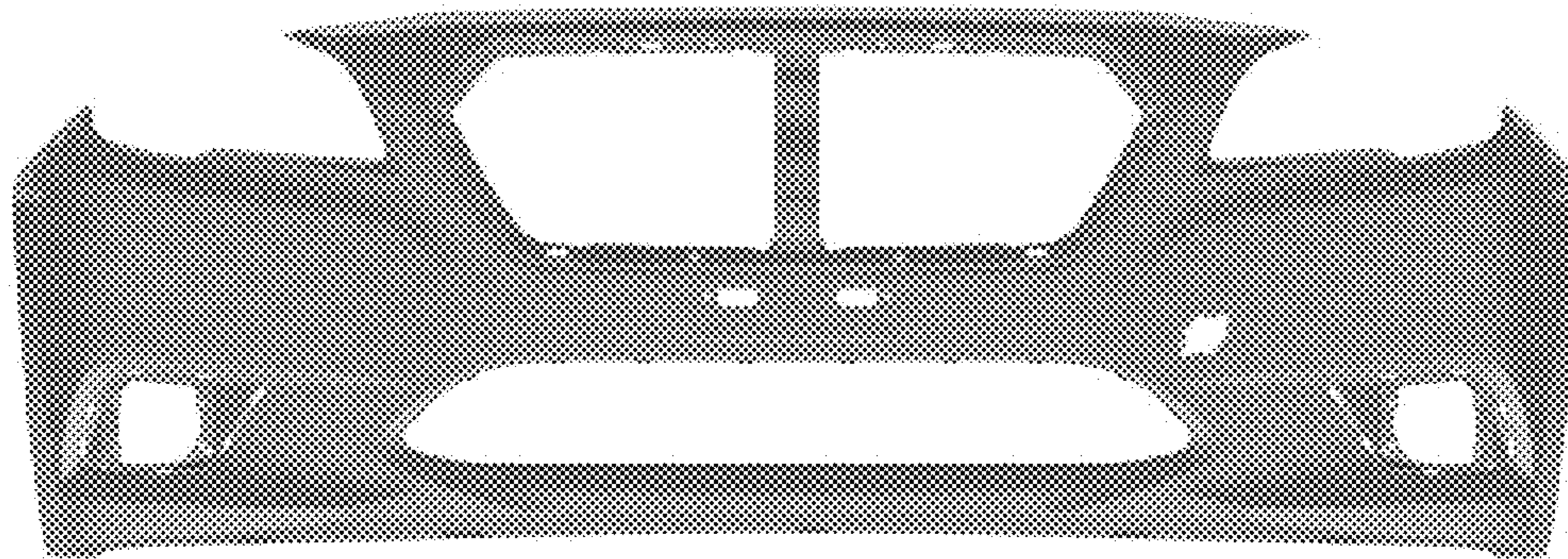


Fig. 5

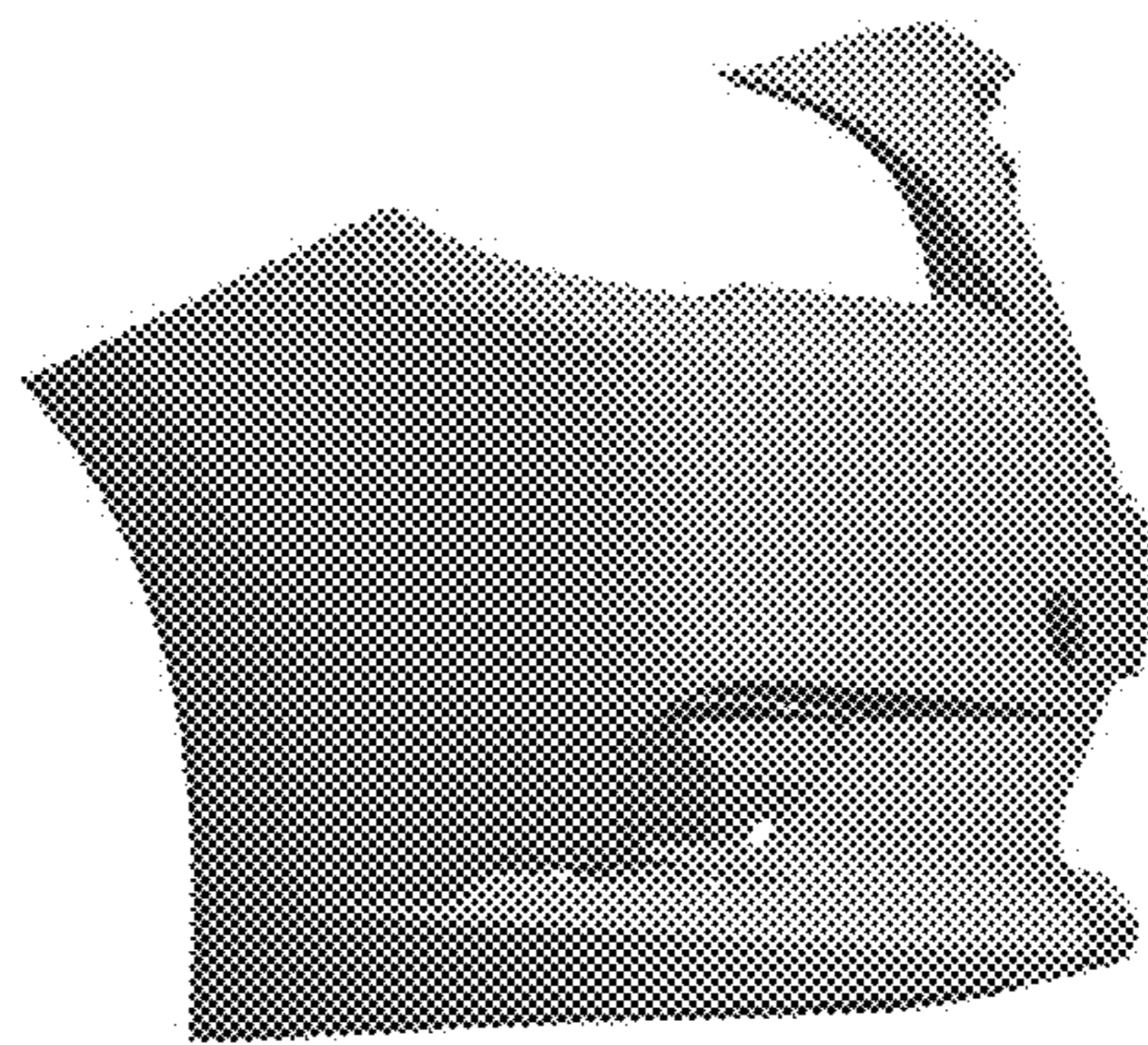


Fig. 6

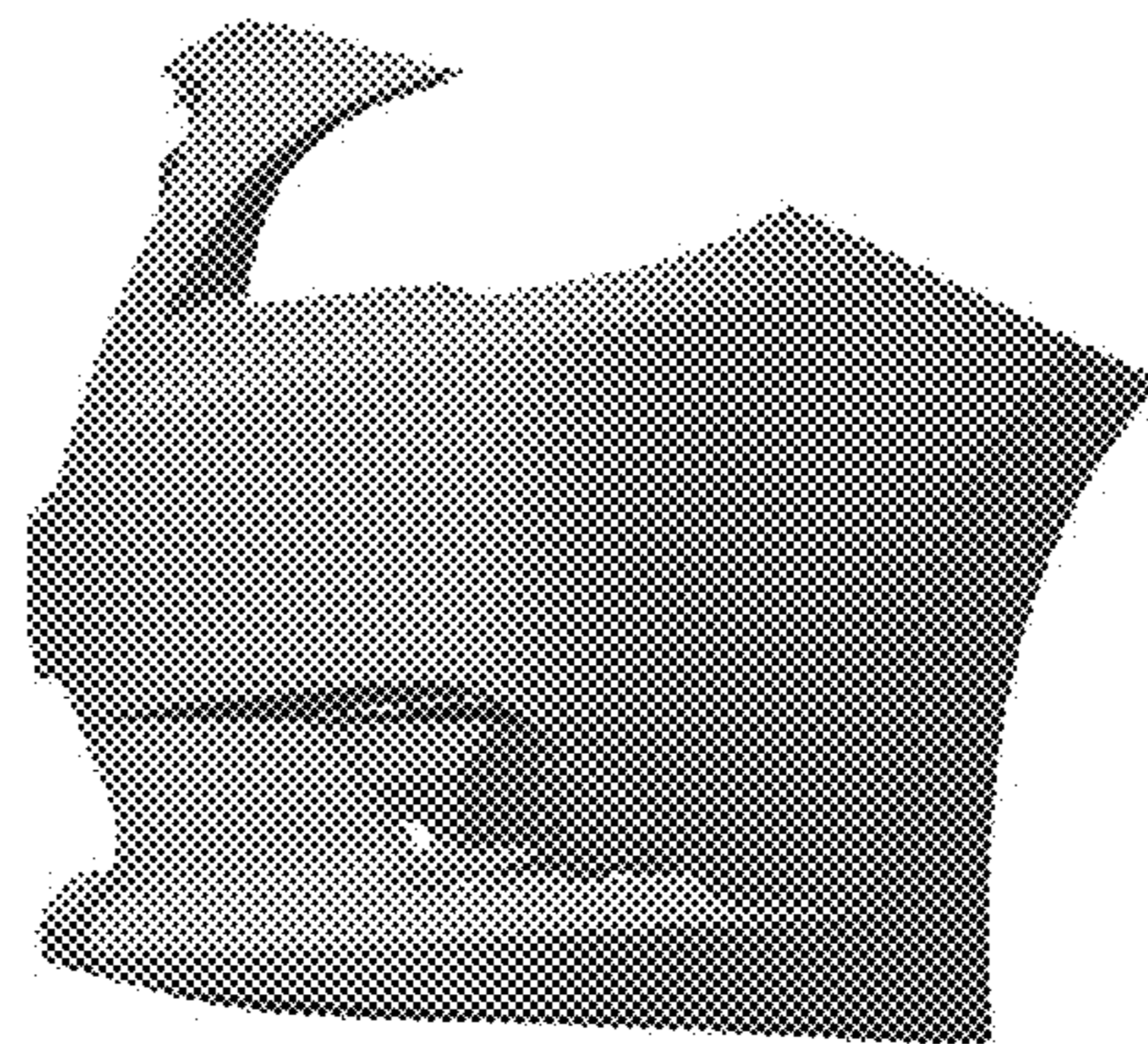




Fig. 7

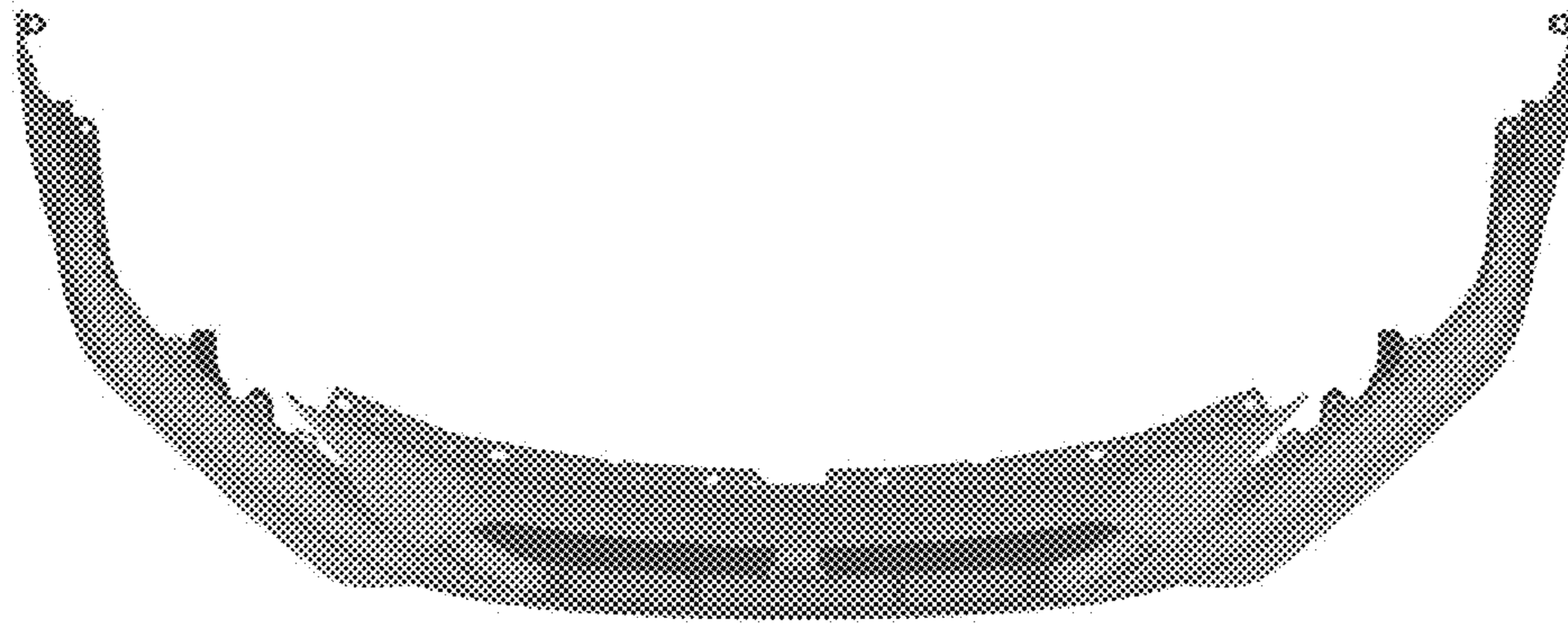




Fig. 8

