



US00D725008S

(12) **United States Design Patent**  
**Peltola et al.**

(10) **Patent No.:** **US D725,008 S**  
(45) **Date of Patent:** **\*\* Mar. 24, 2015**

- (54) **BUMPER**
- (71) Applicants: **Wallace A. Peltola**, Sammamish, WA (US); **Steven H. Hovind**, Bellevue, WA (US)
- (72) Inventors: **Wallace A. Peltola**, Sammamish, WA (US); **Steven H. Hovind**, Bellevue, WA (US)
- (73) Assignee: **PACCAR Inc**, Bellevue, WA (US)

- D395,860 S 7/1998 Meryman
- D400,144 S 10/1998 Hellhake
- D401,198 S 11/1998 Mueller
- D403,636 S 1/1999 Meryman
- D406,552 S \* 3/1999 Hellhake et al. .... D12/93
- D411,494 S 6/1999 Meryman
- D412,689 S 8/1999 Onopa
- D423,429 S 4/2000 Hickman
- D429,669 S 8/2000 Cook
- D442,132 S 5/2001 Weidhase
- D443,853 S 6/2001 Barraclough
- D450,277 S 11/2001 Onopa
- D458,565 S \* 6/2002 Maher et al. .... D12/169

(\*\*) Term: **14 Years**

(Continued)

(21) Appl. No.: **29/472,577**

**OTHER PUBLICATIONS**

(22) Filed: **Nov. 13, 2013**

“Model 387,” Peterbilt Motors Company, Denton, Texas, Oct. 2002, 2•page brochure.

(51) **LOC (10) Cl.** ..... **12-16**

(Continued)

(52) **U.S. Cl.**

USPC ..... **D12/169**

(58) **Field of Classification Search**

CPC ..... B60R 19/02; B60R 19/18; B60R 19/34; B60R 19/48; B60D 1/56; B62D 21/15

USPC ..... D12/169, 163, 167, 171, 181, 216, 196, D12/86, 93, 90, 91, 92; 293/102, 113, 115, 293/117, 120; 296/180.1, 180.2

See application file for complete search history.

*Primary Examiner* — Cathron Brooks  
*Assistant Examiner* — Clese Moore, Jr.

(74) *Attorney, Agent, or Firm* — Christensen O’Connor Johnson Kindness PLLC

(57) **CLAIM**

The ornamental design for a bumper, as shown and described.

**DESCRIPTION**

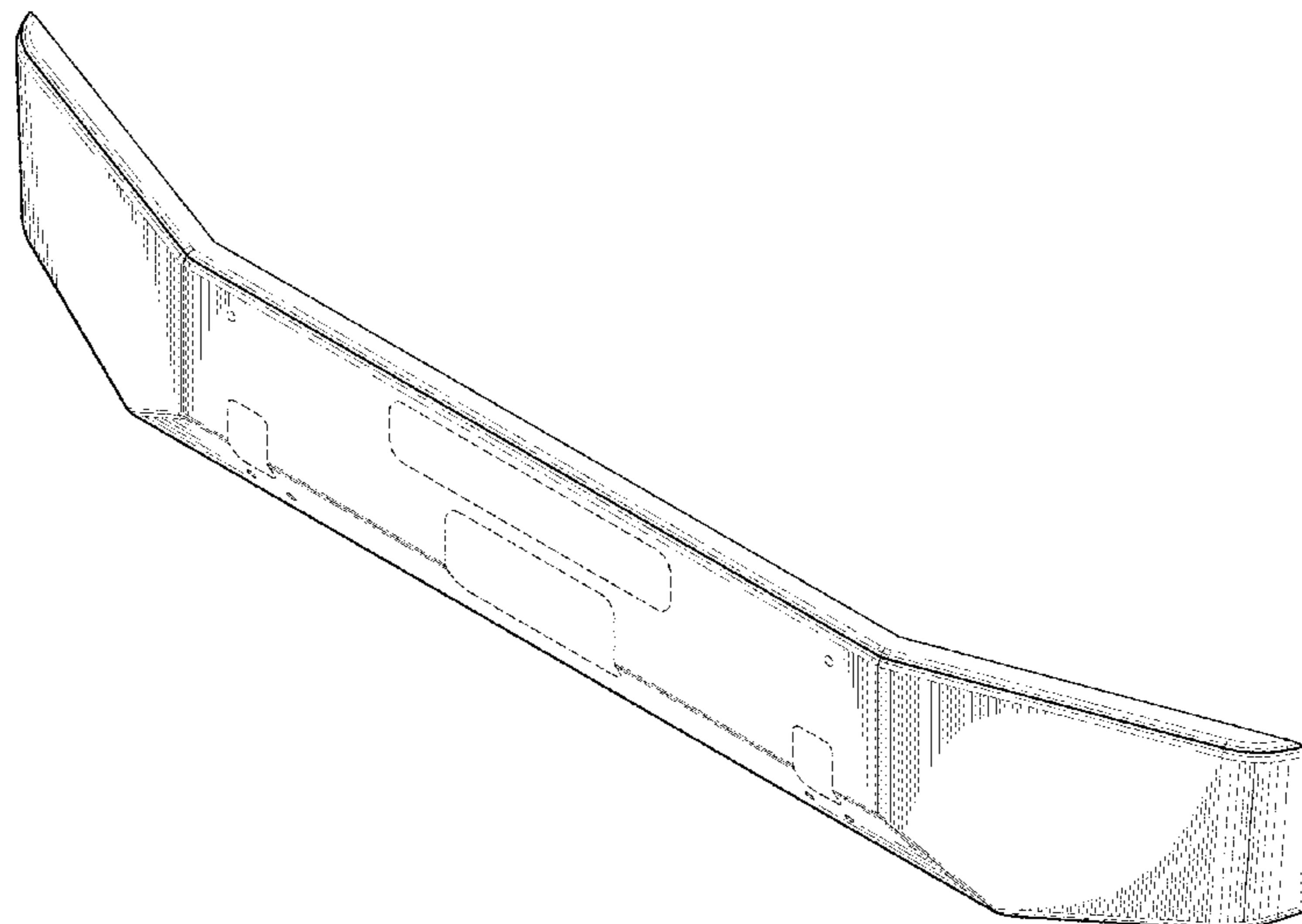
(56) **References Cited**

**U.S. PATENT DOCUMENTS**

- D248,156 S 6/1978 Tixier
- D307,254 S 4/1990 Koske
- 4,950,010 A \* 8/1990 Denny ..... 293/117
- D316,241 S 4/1991 Ray
- D343,605 S 1/1994 Meryman
- 5,308,134 A \* 5/1994 Stanesic ..... 296/91
- D348,705 S \* 7/1994 Onopa ..... D12/181
- D364,371 S 11/1995 Ray
- D381,946 S \* 8/1997 Delashaw et al. .... D12/167
- D391,212 S 2/1998 Meryman

FIG. 1 is a perspective view of a bumper of our new design; FIG. 2 is a front elevational view of the bumper of FIG. 1; FIG. 3 is a left side elevational view of the bumper of FIG. 1; FIG. 4 is a right side elevational view of the bumper of FIG. 1; FIG. 5 is a top plan view of the bumper of FIG. 1; and, FIG. 6 is a bottom plan view of the bumper of FIG. 1. The broken lines shown in the drawings illustrate portions of the bumper that form no part of the claimed design.

**1 Claim, 3 Drawing Sheets**



(56)

References Cited

U.S. PATENT DOCUMENTS

D460,023 S 7/2002 Beigel  
 D460,030 S 7/2002 Duckett  
 D465,749 S 11/2002 Beigel  
 D466,450 S 12/2002 Maher  
 D466,847 S 12/2002 Waskow  
 6,520,553 B2 2/2003 Muramatsu  
 D471,494 S 3/2003 Chan  
 D475,663 S 6/2003 Chiang  
 D475,664 S 6/2003 Chiang  
 D476,929 S 7/2003 Dozier  
 D477,258 S 7/2003 Hayashi  
 D478,027 S 8/2003 Chiang  
 D478,028 S 8/2003 Chiang  
 D482,302 S 11/2003 Dozier  
 D483,707 S \* 12/2003 Satou ..... D12/169  
 D488,749 S 4/2004 Ikuma  
 D490,749 S 6/2004 Satou  
 D491,496 S 6/2004 Metros  
 D491,848 S 6/2004 Metros  
 D491,851 S 6/2004 Perfetti  
 D492,627 S 7/2004 Metros  
 D492,628 S 7/2004 Bond  
 D492,801 S 7/2004 Metros  
 D494,898 S 8/2004 Metros  
 D497,577 S 10/2004 Metros  
 D497,581 S 10/2004 Conway  
 D497,851 S 11/2004 Metros  
 D498,716 S 11/2004 Maeda  
 D501,809 S 2/2005 Metros  
 D504,850 S 5/2005 Gunter  
 D512,351 S 12/2005 Hattori  
 D515,989 S 2/2006 Choi  
 D518,424 S 4/2006 Clark  
 D519,067 S 4/2006 Steere  
 D519,068 S 4/2006 Clark  
 D519,069 S 4/2006 Clark  
 D530,653 S 10/2006 Angelo  
 D531,940 S 11/2006 McCuller  
 D540,722 S 4/2007 Angelo  
 D543,914 S 6/2007 Lai  
 D545,248 S 6/2007 Angelo  
 D551,601 S 9/2007 Tabata  
 D563,840 S 3/2008 Simons  
 D565,484 S 4/2008 Johnson  
 D566,009 S 4/2008 Beigel  
 D584,664 S 1/2009 Johnson  
 D584,665 S \* 1/2009 Johnson et al. .... D12/169  
 D588,507 S 3/2009 Opfer  
 D589,846 S 4/2009 Tanaka  
 D595,624 S 7/2009 Wagner  
 D612,778 S 3/2010 Beigel  
 D621,752 S 8/2010 Angelo  
 D626,470 S 11/2010 Komuro  
 D633,419 S 3/2011 Peltola  
 D645,799 S 9/2011 Beigel  
 D647,013 S 10/2011 Ito  
 D653,999 S 2/2012 Peltola  
 D654,836 S \* 2/2012 Rao ..... D12/169  
 D655,652 S 3/2012 Hanson  
 D671,049 S 11/2012 Davidson  
 D671,051 S 11/2012 Davidson  
 8,322,763 B2 \* 12/2012 Tejler et al. .... 293/155  
 8,540,307 B2 \* 9/2013 Cunagin ..... 296/193.09  
 2008/0265591 A1 10/2008 Tolani  
 2010/0181786 A1 \* 7/2010 Tejler et al. .... 293/130  
 2011/0285152 A1 \* 11/2011 Kwon et al. .... 293/102

OTHER PUBLICATIONS

“T2000,” Kenworth Truck Company, Kirkland, Washington, 1999, 20•page brochure.  
 “T2000,” Kenworth Truck Company, Kirkland, Washington, 2002, 20•page brochure.  
 “T2000,” Kenworth Truck Company, Kirkland, Washington, 2005, 20•page brochure.

“T300,” Kenworth Truck Company, Kirkland, Washington, 1997, 5•page brochure.  
 “T440,” Kenworth Truck Company, Kirkland, Washington, 2010, 2•page brochure.  
 “T470,” Kenworth Truck Company, Kirkland, Washington, 2010, 6•page brochure.  
 “T600,” Kenworth Truck Company, Kirkland, Washington, 2005, 24•page brochure.  
 “T660,” Kenworth Truck Company, Kirkland, Washington, 2007, 36•page brochure.  
 “T660,” Kenworth Truck Company, Kirkland, Washington, 2009, 36•page brochure.  
 “T700,” Kenworth Truck Company, Kirkland, Washington, 2010, 6•page brochure.  
 “AG130 Front Air Suspension,” Kenworth Truck Company, Kirkland, Wash., 2008, 2-page brochure.  
 “C500B,” Kenworth Truck Company, Kirkland, Wash., as early as 1990, 4-page brochure.  
 “Class Pays,” Peterbilt Motors Company, Denton, Tex., Sep. 1997, 10-page brochure.  
 “Class Pays,” Peterbilt Motors Company, Denton, Tex., Nov. 1998, 10 page brochure.  
 “Class Pays, Truck Models,” Peterbilt Motors Company, Denton, Tex., Mar. 2005, 24-page brochure.  
 “Construction Trucks,” Canadian Kenworth Truck, Mississauga, Canada, Jul. 1990, 17-page brochure.  
 “K100E,” Kenworth Truck Company, Kirkland, Wash., 1984, 8-page brochure.  
 “Kenworth Truck Models,” Kenworth Truck Company, Kirkland, Wash., 2010, 16-page brochure.  
 “Model 357 Standard Specifications,” Peterbilt Motors Company, Newark, Cal., Sep. 1986, 6 page brochure.  
 “Model 362,” Peterbilt Motors Company, Newark, Cal., 1985, 8-page brochure.  
 “Model 377A/E,” Peterbilt Motors Company, Denton, Tex., Jan. 1995, 6-page brochure.  
 “Model 377A/E,” Peterbilt Motors Company, Denton, Tex., Aug. 1997, 2-page brochure.  
 “Model 378,” Peterbilt Motors Company, Denton, Tex., Mar. 1998, 3-page brochure.  
 “Model 379,” Peterbilt Motors Company, Denton, Tex., Mar. 1996, 5-page brochure.  
 “Model 385,” Peterbilt Motors Company, Denton, Tex., Oct. 1996, 5 page brochure.  
 “Peterbilt Parts & Accessories,” Peterbilt Motors Company, Denton, Tex., catalog, as early as 2000, 52-page brochure.  
 “Rest with Class,” Peterbilt Motors Company, Newark, Cal., Apr. 1978, 4-page brochure.  
 “Studio Sleeper,” Kenworth Truck Company, Kirkland, Wash., 1993, 5-page brochure.  
 “T400B and T450B,” Kenworth Truck Company, Kirkland, Wash., 1992, 10-page brochure.  
 “T440,” Kenworth Truck Company, Kirkland, Wash., 2010, 6-page brochure.  
 “T600,” Kenworth Truck Company, Kirkland, Wash., 2002, 28-page brochure.  
 “T800,” Kenworth Truck Company, Kirkland, Wash., 1996, 7-page brochure.  
 “T800,” Kenworth Truck Company, Kirkland, Wash., 2002, 32-page brochure.  
 “T800,” Kenworth Truck Company, Kirkland, Wash., 2003, 32-page brochure.  
 “T800,” Kenworth Truck Company, Kirkland, Wash., 2005, 28-page brochure.  
 “T800,” Kenworth Truck Company, Kirkland, Wash., 2009, 28-page brochure.  
 “T800B,” Kenworth Truck Company, Kirkland, Wash., 1993, 8-page brochure.  
 “The Working Class,” Peterbilt Motors Company, Newark, Cal., Sep. 1976, 6 page brochure.

(56)

**References Cited**

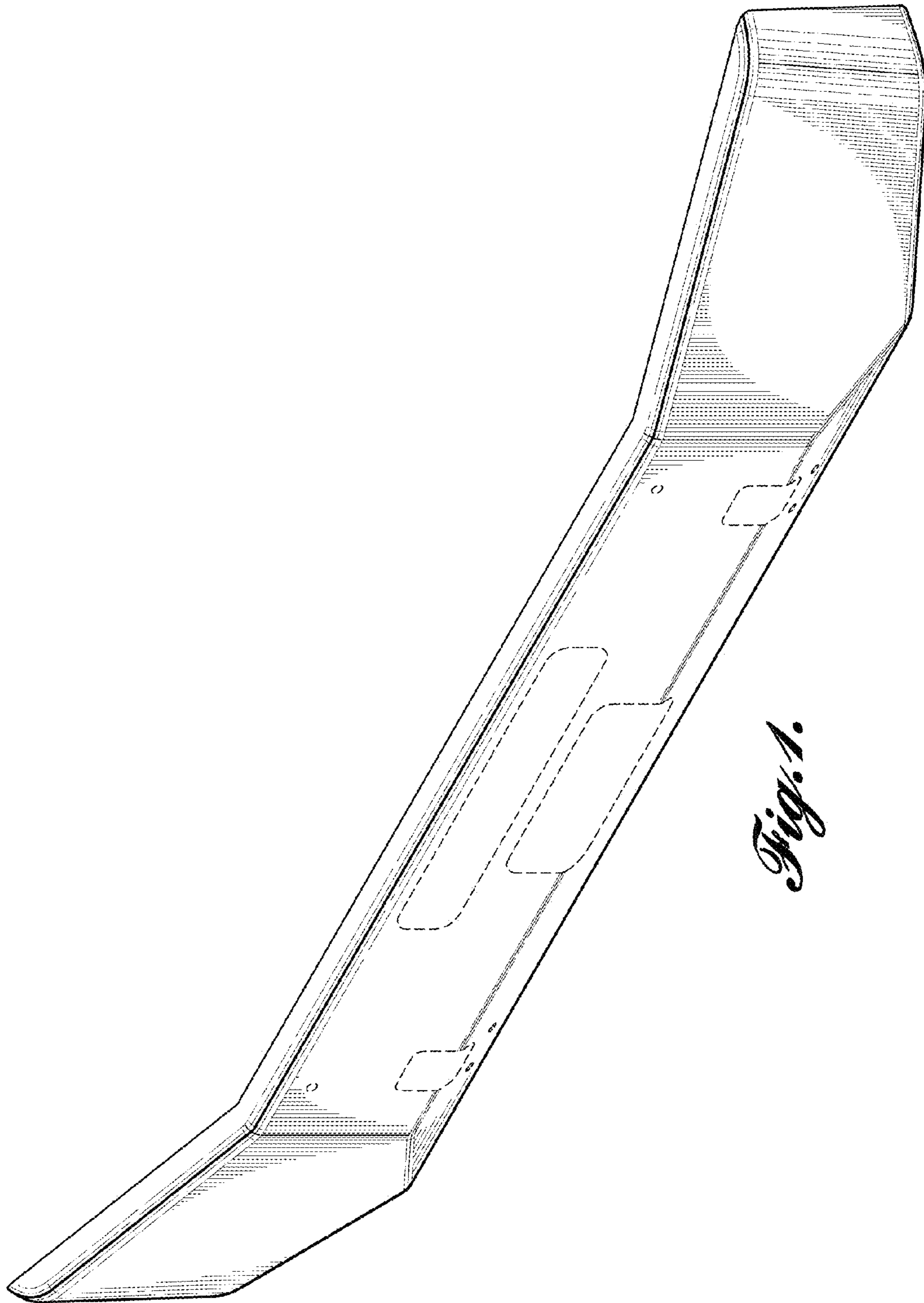
OTHER PUBLICATIONS

“The World’s Best,” Kenworth Truck Company, Kirkland, Wash., 1992, 12-page brochure.

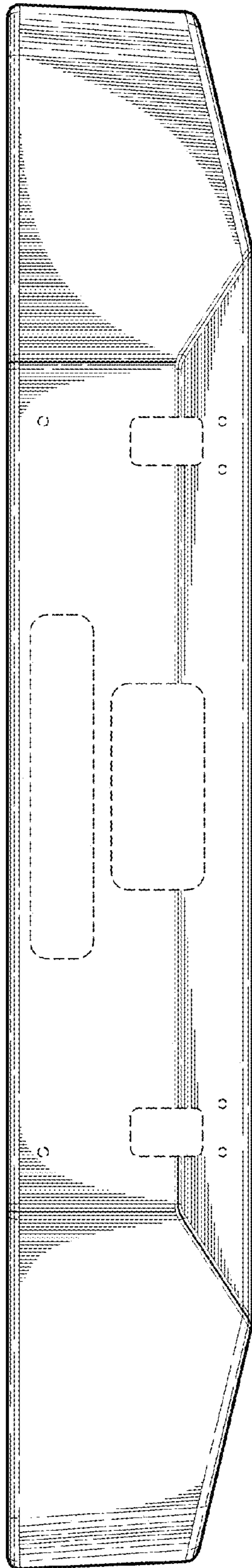
“Unibilt™ Cab Sleeper System,” Peterbilt Motors Company, Denton, Tex., Aug. 1994, 6 page brochure.

“W900,” Kenworth Truck Company, Kirkland, Wash., 1996, 7-page brochure.

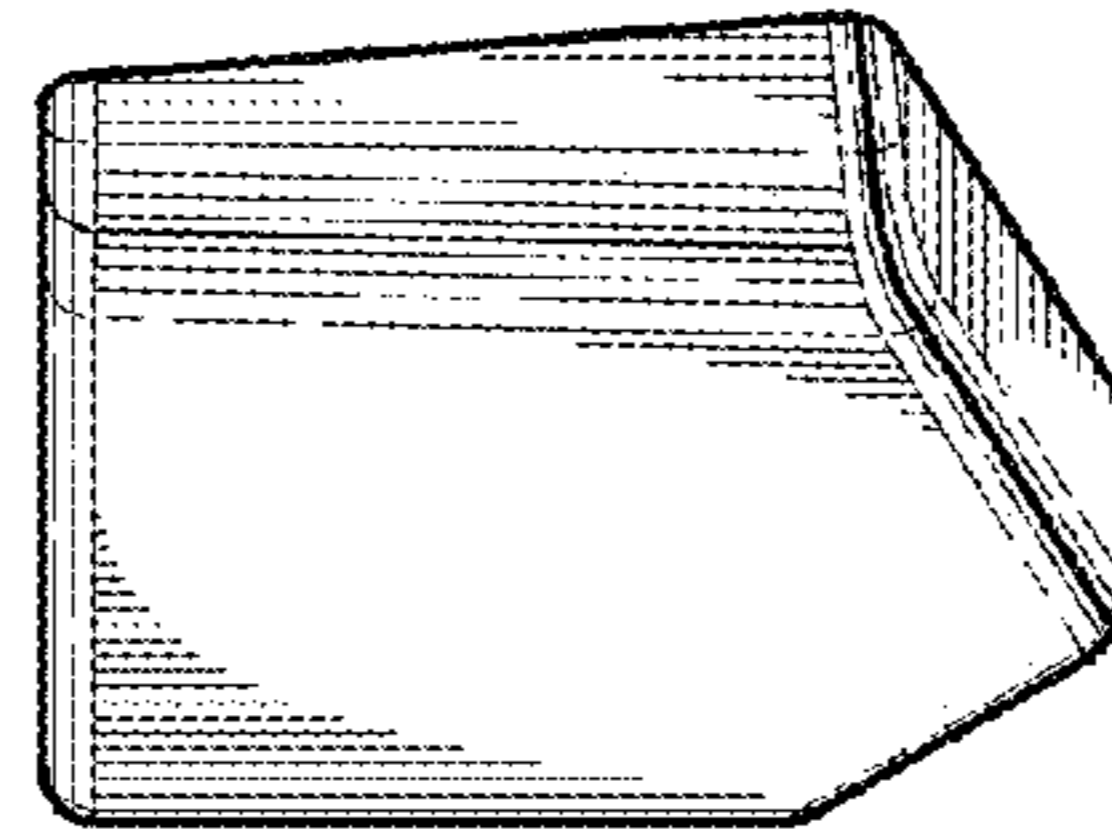
\* cited by examiner



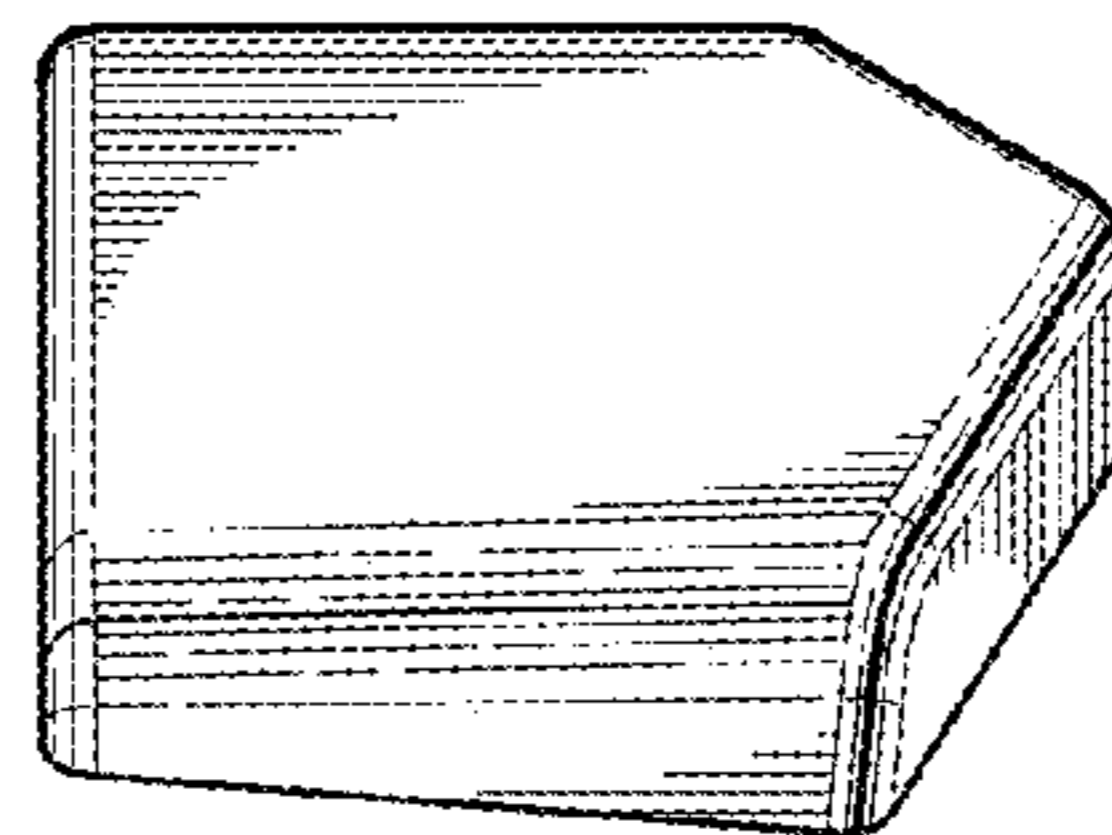
*Fig. 1.*



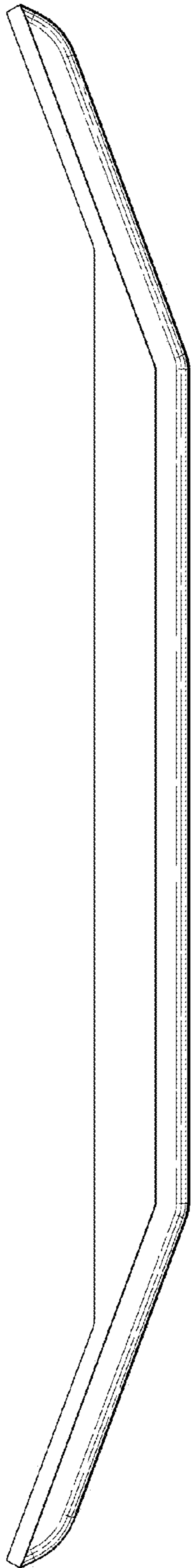
*Fig. 2.*



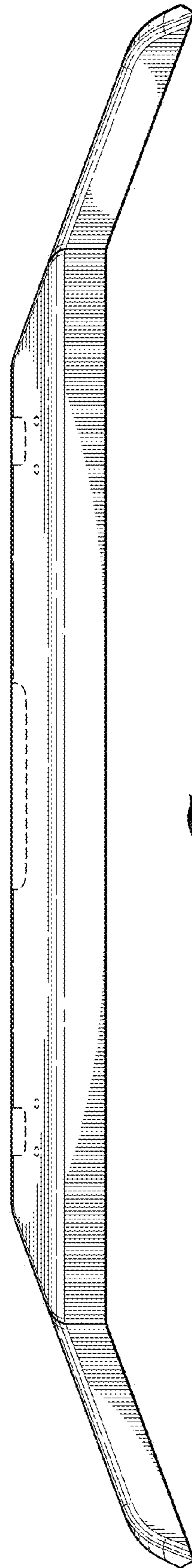
*Fig. 4.*



*Fig. 3.*



*Fig. 5.*



*Fig. 6.*