

US00D725006S

(12) **United States Design Patent**
Takei et al.

(10) **Patent No.:** **US D725,006 S**
(45) **Date of Patent:** **** Mar. 24, 2015**

(54) **AUTOMOBILE**

(71) Applicants: **Tatsuya Takei**, Toyota (JP); **Satoru Sugimoto**, Toyota (JP); **Pansoo Kwon**, Okazaki (JP)

(72) Inventors: **Tatsuya Takei**, Toyota (JP); **Satoru Sugimoto**, Toyota (JP); **Pansoo Kwon**, Okazaki (JP)

(73) Assignee: **Toyota Jidosha Kabushiki Kaisha** (JP)

(**) Term: **14 Years**

(21) Appl. No.: **29/481,202**

(22) Filed: **Feb. 3, 2014**

(30) **Foreign Application Priority Data**

Aug. 9, 2013 (JP) 2013-018302

(51) **LOC (10) Cl.** **12-16**

(52) **U.S. Cl.**
USPC **D12/164**

(58) **Field of Classification Search**
USPC D12/86, 90-92; D21/424, 433, 434;
296/181.1, 181.5

See application file for complete search history.

(56) **References Cited**

U.S. PATENT DOCUMENTS

D508,004 S *	8/2005	Metros et al.	D12/196
D531,547 S *	11/2006	Hiruta et al.	D12/92
D547,699 S *	7/2007	Okazaki et al.	D12/92
D562,188 S *	2/2008	Matsumoto et al.	D12/92
D573,522 S *	7/2008	Sato et al.	D12/196
D580,331 S *	11/2008	Gueler et al.	D12/196
D580,332 S *	11/2008	Gueler et al.	D12/196
D592,117 S *	5/2009	Ward	D12/196
D598,355 S *	8/2009	Sato et al.	D12/196
D598,813 S *	8/2009	Hiranaka et al.	D12/92
D598,823 S *	8/2009	Hiranaka et al.	D12/164
D601,072 S *	9/2009	Giachin	D12/196

D602,399 S *	10/2009	Sakae et al.	D12/91
D602,821 S *	10/2009	Tada et al.	D12/164
D605,101 S *	12/2009	Mueller	D12/196
D605,572 S *	12/2009	Ward	D12/196
D620,841 S *	8/2010	Sakae et al.	D12/92
D622,186 S *	8/2010	Miyata et al.	D12/92
D622,191 S *	8/2010	Yagi et al.	D12/164
D630,555 S *	1/2011	Koshino et al.	D12/92
D633,838 S *	3/2011	Loeb	D12/196
D633,839 S *	3/2011	Matei et al.	D12/196
D636,317 S *	4/2011	Matei et al.	D12/196

(Continued)

OTHER PUBLICATIONS

Lexus, Lexus LF-CC Concept (2012) <http://www.netcarshow.com/lexus/2012-lf-cc_concept/>, available at least as early as May 16, 2013.

(Continued)

Primary Examiner — Melody Brown

(74) *Attorney, Agent, or Firm* — Saidman DesignLaw Group, LLC

(57) **CLAIM**

The ornamental design for an automobile, as shown and described.

DESCRIPTION

FIG. 1 is a front perspective view of an automobile showing our new design;

FIG. 2 is a rear perspective view thereof;

FIG. 3 is a front view thereof;

FIG. 4 is a rear view thereof;

FIG. 5 is a top view thereof;

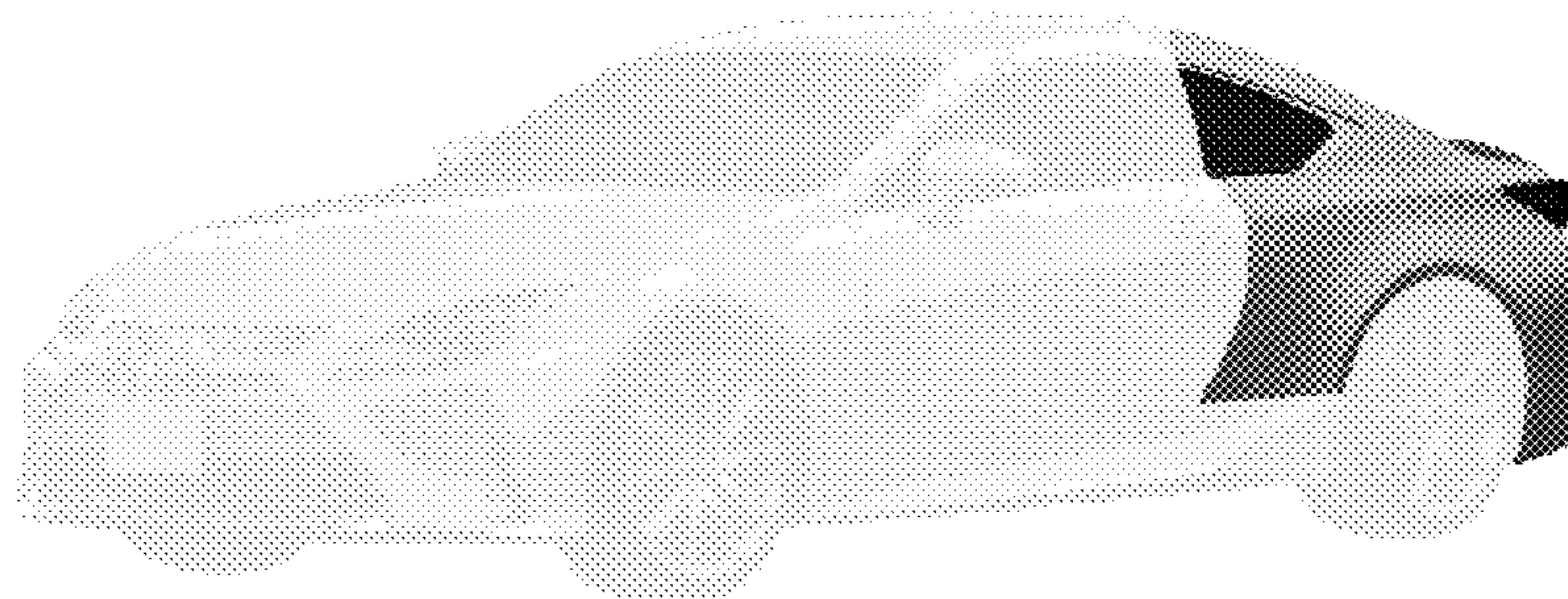
FIG. 6 is a left side view thereof; and,

FIG. 7 is a right side view thereof.

The claimed design is indicated by the relatively dark portions in the figures, while the relatively light portions are environmental and form no part of the claimed design.

The drawings include shadows and reflections, which indicate contour not surface ornamentation.

1 Claim, 4 Drawing Sheets



(56)

References Cited

U.S. PATENT DOCUMENTS

D655,230	S	*	3/2012	Nishihama	D12/196
D673,485	S	*	1/2013	Yamada et al.	D12/164
D696,998	S	*	1/2014	Kwon et al.	D12/196
D698,289	S	*	1/2014	Kwon et al.	D12/164
D706,181	S	*	6/2014	Sakae et al.	D12/164
D714,695	S	*	10/2014	Kim et al.	D12/164
D715,706	S	*	10/2014	Futschik et al.	D12/164

OTHER PUBLICATIONS

Subaru, Subaru WRX Concept (2013) <http://www.netcarshow.com/subaru/2013-wrx_concept/>, available at least as early as May 16, 2013.

BMW, BMW M₅₅od xDrive (2013) <http://www.netcarshow.com/bmw/2013-m55od_xdrive/>, available at least as early as May 16, 2013.

* cited by examiner

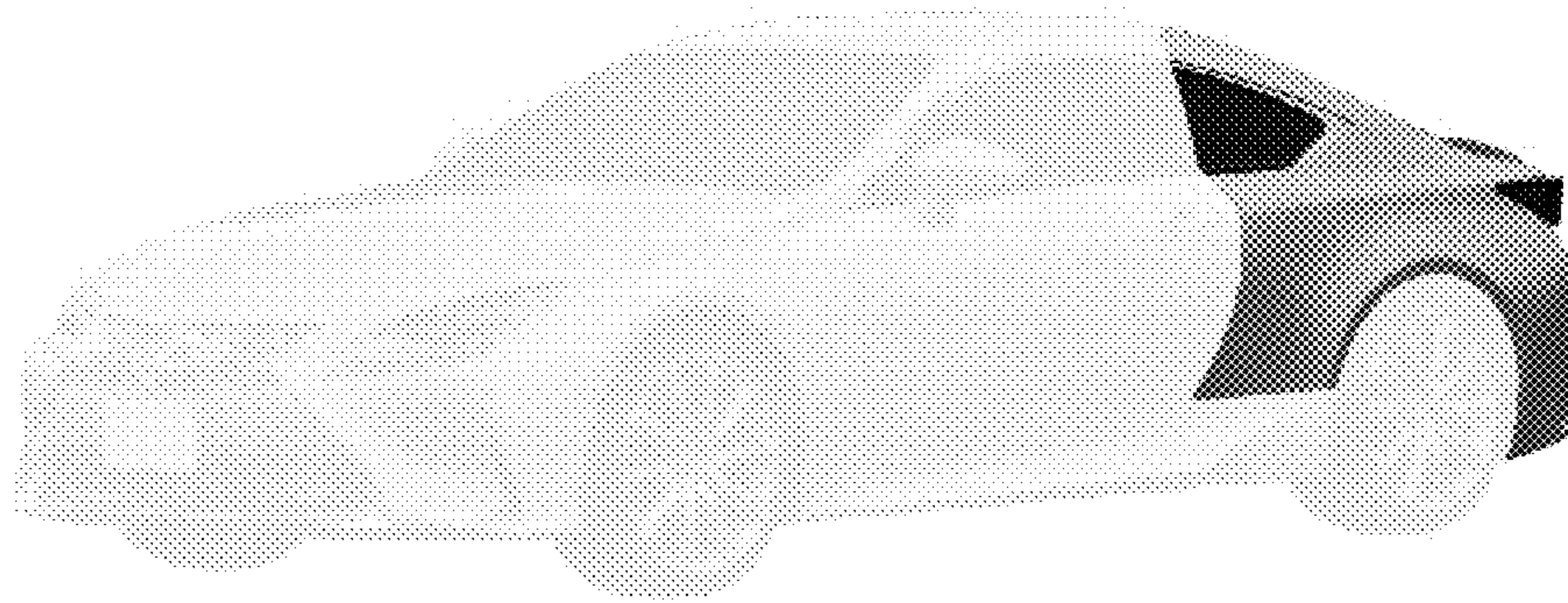


Fig. 1

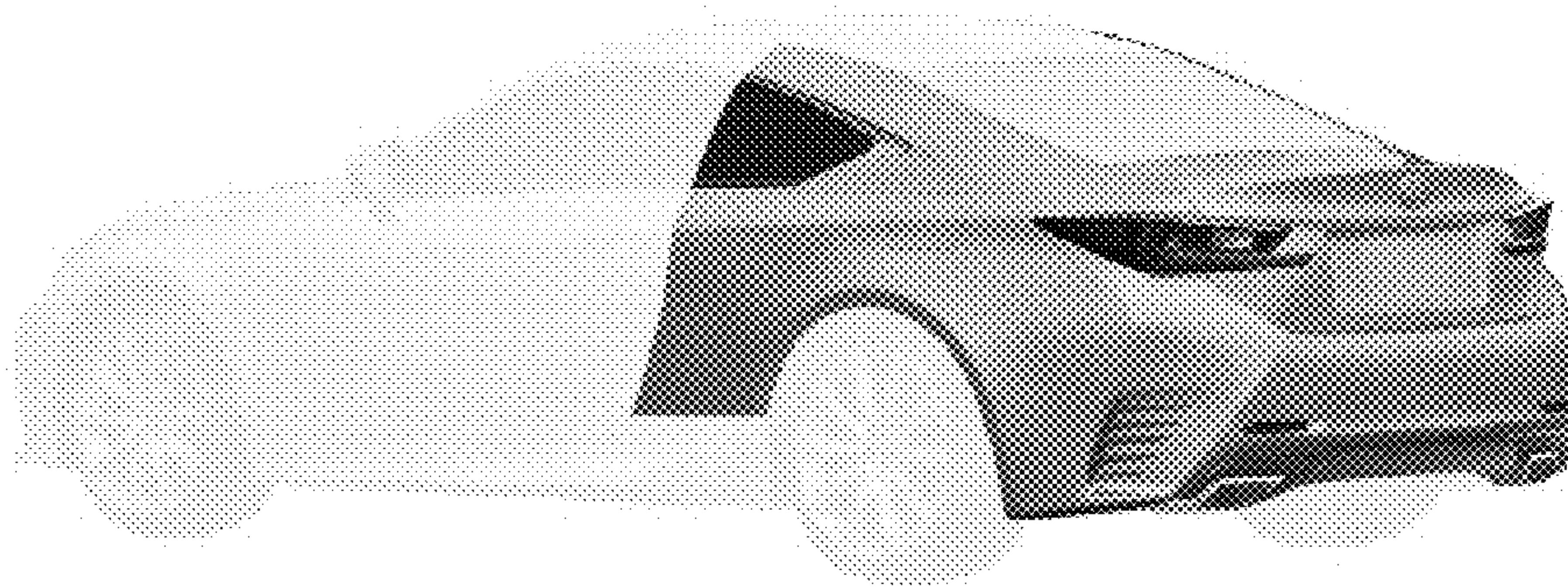


Fig. 2

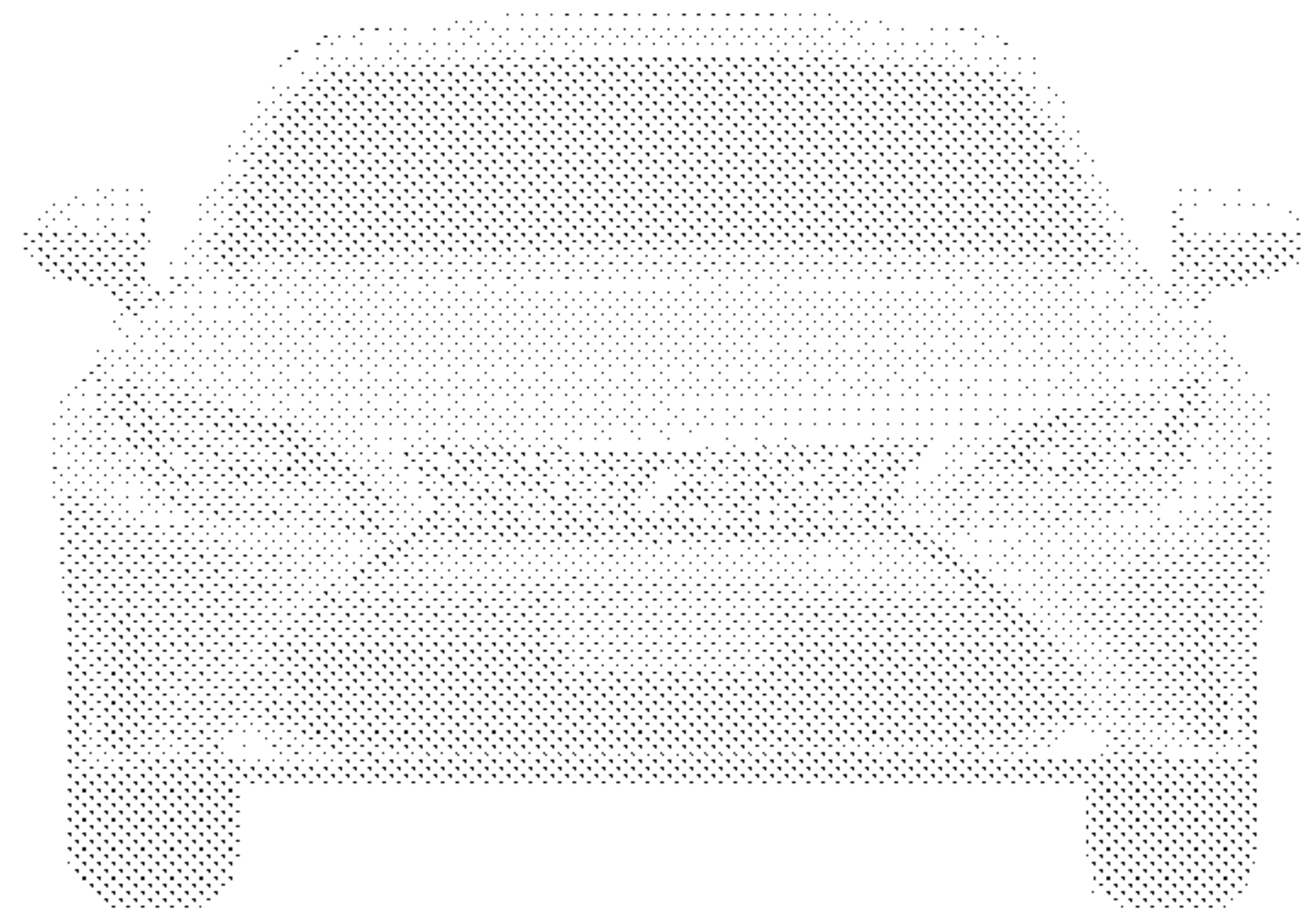


Fig. 3



Fig. 4

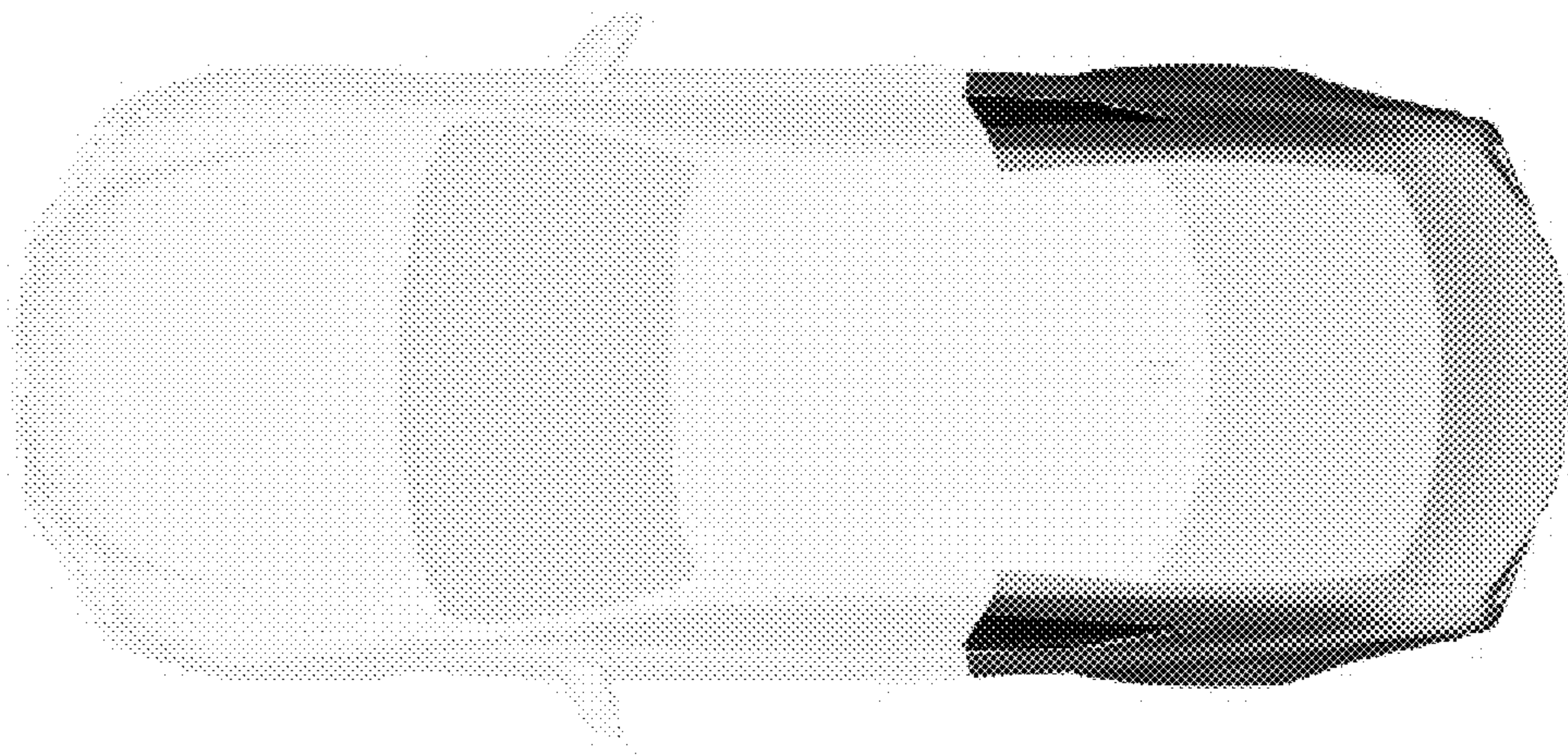


Fig. 5

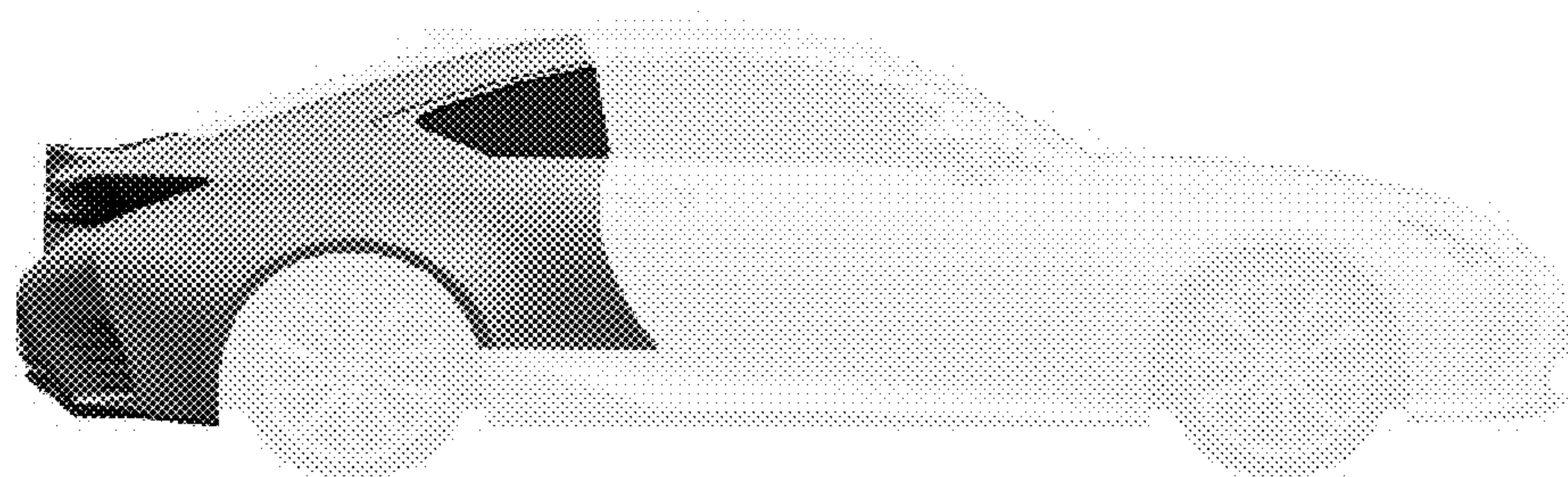


Fig. 6



Fig. 7