



US00D725002S

(12) **United States Design Patent**
Kumada et al.

(10) **Patent No.:** **US D725,002 S**
(45) **Date of Patent:** **** Mar. 24, 2015**

(54) **MOTORCYCLE OR MOTORCYCLE REPLICA**

(71) Applicant: **Honda Motor Co., Ltd.**, Tokyo (JP)

(72) Inventors: **Masahiro Kumada**, Wako (JP);
Tomokazu Miyazawa, Wako (JP)

(73) Assignee: **Honda Motor Co., Ltd.**, Tokyo (JP)

(**) Term: **14 Years**

(21) Appl. No.: **29/489,004**

(22) Filed: **Apr. 25, 2014**

(30) **Foreign Application Priority Data**

Oct. 30, 2013 (JP) 2013-025273

(51) **LOC (10) Cl.** **12-11**

(52) **U.S. Cl.**
USPC **D12/114; D12/186**

(58) **Field of Classification Search**

CPC B62J 6/04; B62J 15/00; B62J 15/04
USPC D12/109, 110, 111, 114, 117, 126, 184,
D12/186; D21/432, 458, 538; 180/210–217,
180/219, 220, 225, 229, 908; 280/103, 124,
280/152.1–152.3, 288.2, 288.4, 304.3, 770,
280/827, 828, 847, 848; 296/77.1, 78.1,
296/181.1, 187.01, 187.12, 192, 193.01,
296/193.04, 193.05, 193.09; 446/440;
D26/28, 29, 34, 35

See application file for complete search history.

(56) **References Cited**

U.S. PATENT DOCUMENTS

D463,341 S * 9/2002 Crookes et al. D12/186
D481,980 S * 11/2003 Song D12/186
D513,723 S * 1/2006 Sawabe et al. D12/186

(Continued)

OTHER PUBLICATIONS

“2014 Honda VFR800 Interceptor.” Big Bike Motorcycles., Jul. 9, 2014 [online], [retrieved on Oct. 28, 2014]. Retrieved from the Internet <URL: <http://bigbikemotorcycles.com/uncategorized/2014-honda-vfr800-interceptor/>>.*

(Continued)

Primary Examiner — Philip S Hyder

Assistant Examiner — Darlington Ly

(74) *Attorney, Agent, or Firm* — Birch, Stewart, Kolasch & Birch, LLP

(57) **CLAIM**

The ornamental design for a motorcycle or motorcycle replica, as shown and described.

DESCRIPTION

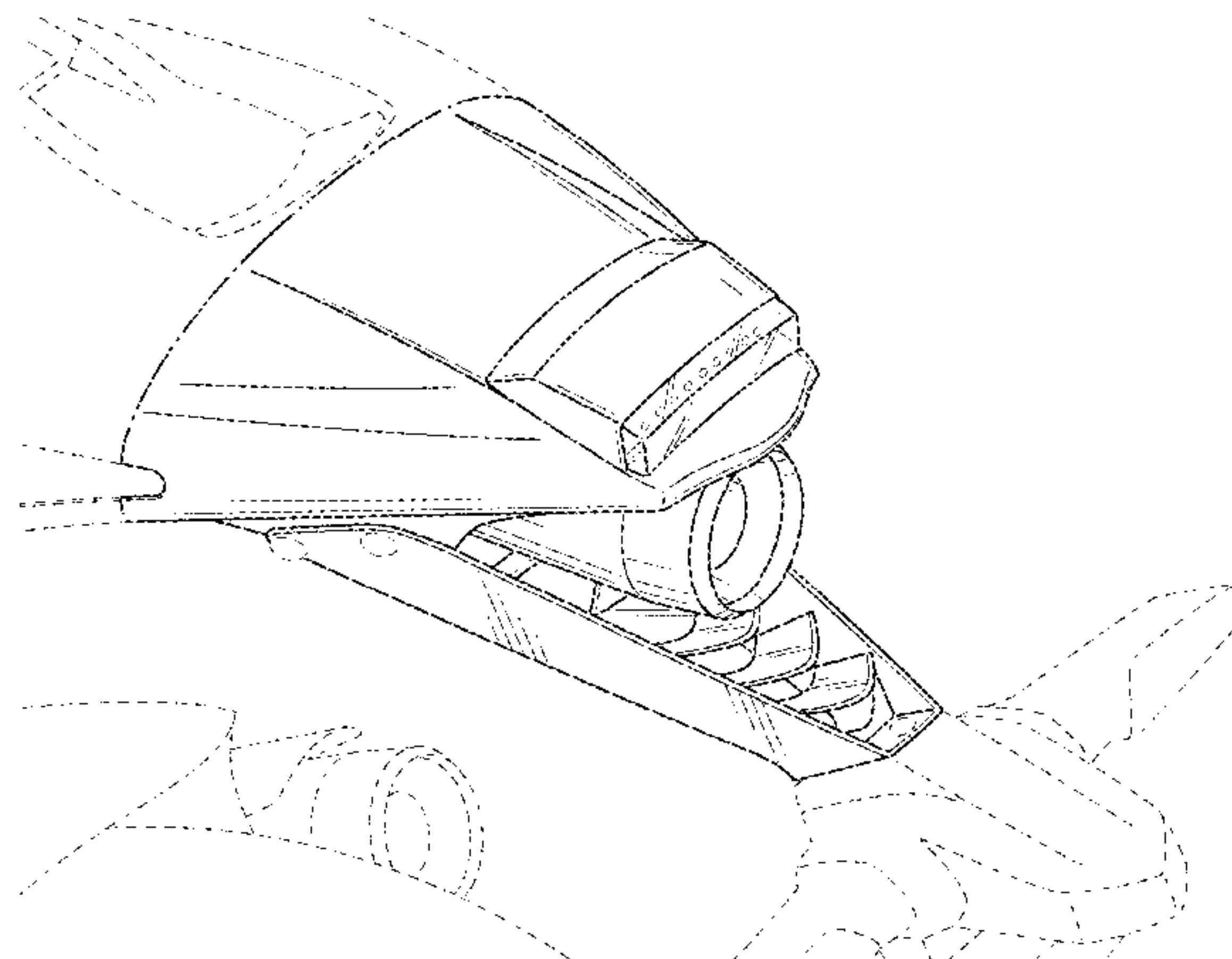
FIG. 1 is a front and left-side perspective view of the motorcycle or motorcycle replica showing our new design; FIG. 2 is a rear and left-side perspective view thereof; FIG. 3 is a front and right-side perspective view thereof; FIG. 4 is a rear and right-side perspective view thereof; FIG. 5 is a left-side elevation view thereof; FIG. 6 is a right-side elevation view thereof; FIG. 7 is a rear elevation view thereof; and FIG. 8 is a top plan view thereof.

FIG. 9 is an enlarged top, rear and right-side perspective view showing the tail portion of the motorcycle depicted in FIGS. 1-9;

FIG. 10 is an enlarged left-side elevation view thereof; and, FIG. 11 is an enlarged rear elevation view thereof.

The broken lines shown in the drawings illustrate portions of the motorcycle or motorcycle replica and environmental structure that forms no part of claimed design. The dot-dash lines shown in the drawings illustrate a boundary for the claim and form no part of the claimed design.

1 Claim, 11 Drawing Sheets



(56)

References Cited

OTHER PUBLICATIONS

U.S. PATENT DOCUMENTS

D555,542 S * 11/2007 Komiya et al. D12/110
D557,188 S * 12/2007 Xu D12/186
7,559,679 B2 * 7/2009 Isayama et al. 362/522
D636,914 S * 4/2011 Ishiguri et al. D26/28
8,167,467 B2 * 5/2012 Iida et al. 362/473
D712,794 S * 9/2014 Katagiri et al. D12/114
D713,299 S * 9/2014 Tateishi et al. D12/114
8,845,154 B2 * 9/2014 Hamauzu et al. 362/475
2007/0025113 A1 * 2/2007 Isayama et al. 362/473
2009/0108557 A1 * 4/2009 Kobayashi et al. 280/152.1

Siahaan, Troy. "2015 Honda CB300F Review—Honda's latest beginner bike takes off some clothes." Motorcycle.com., Sep. 4, 2014 [online], [retrieved on Oct. 28, 2014]. Retrieved from the Internet <URL: <http://www.motorcycle.com/manufacture/honda/2015-honda-cb300f-review.html>>.*

* cited by examiner

FIG. 1

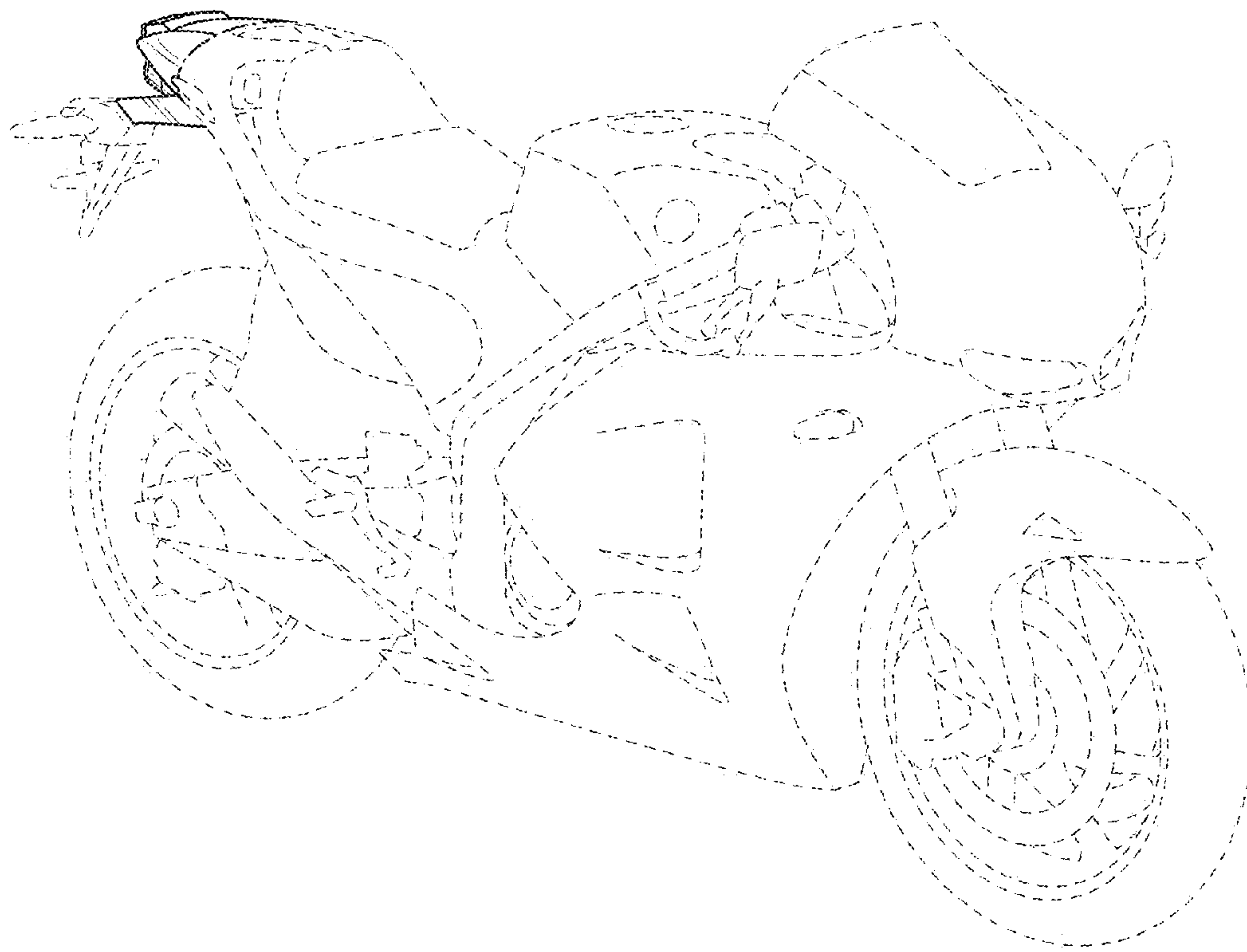


FIG. 2

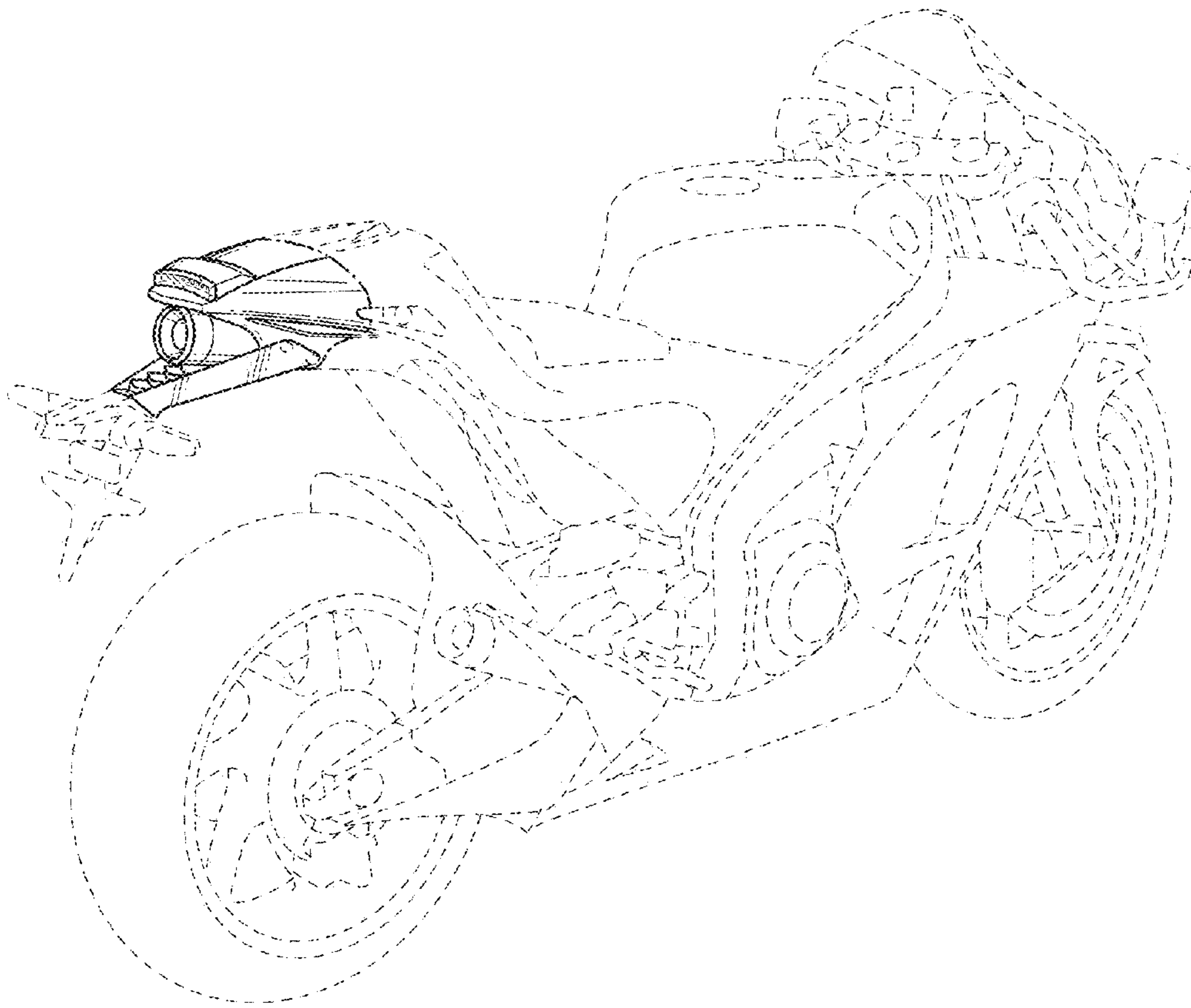


FIG. 3

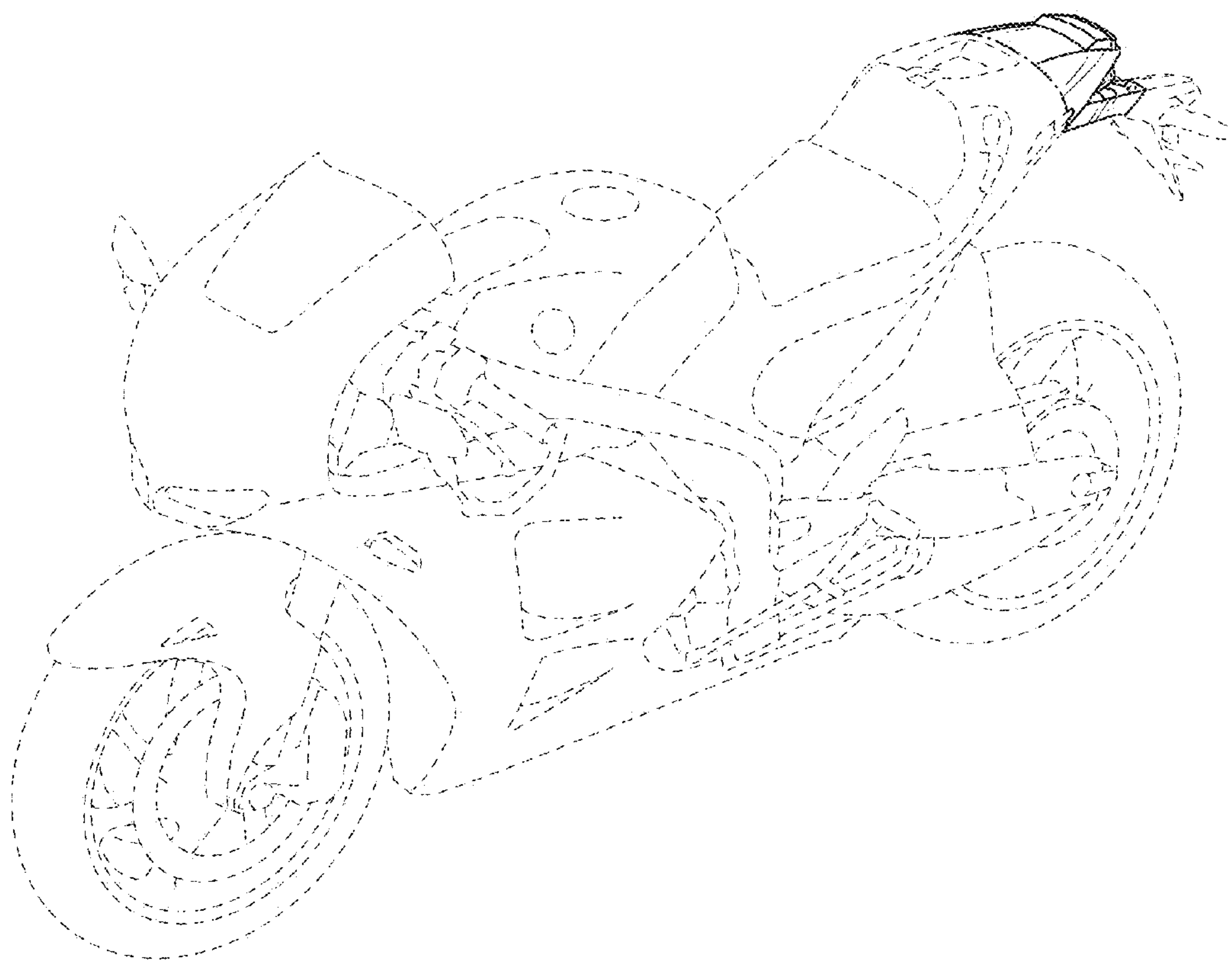


FIG. 4

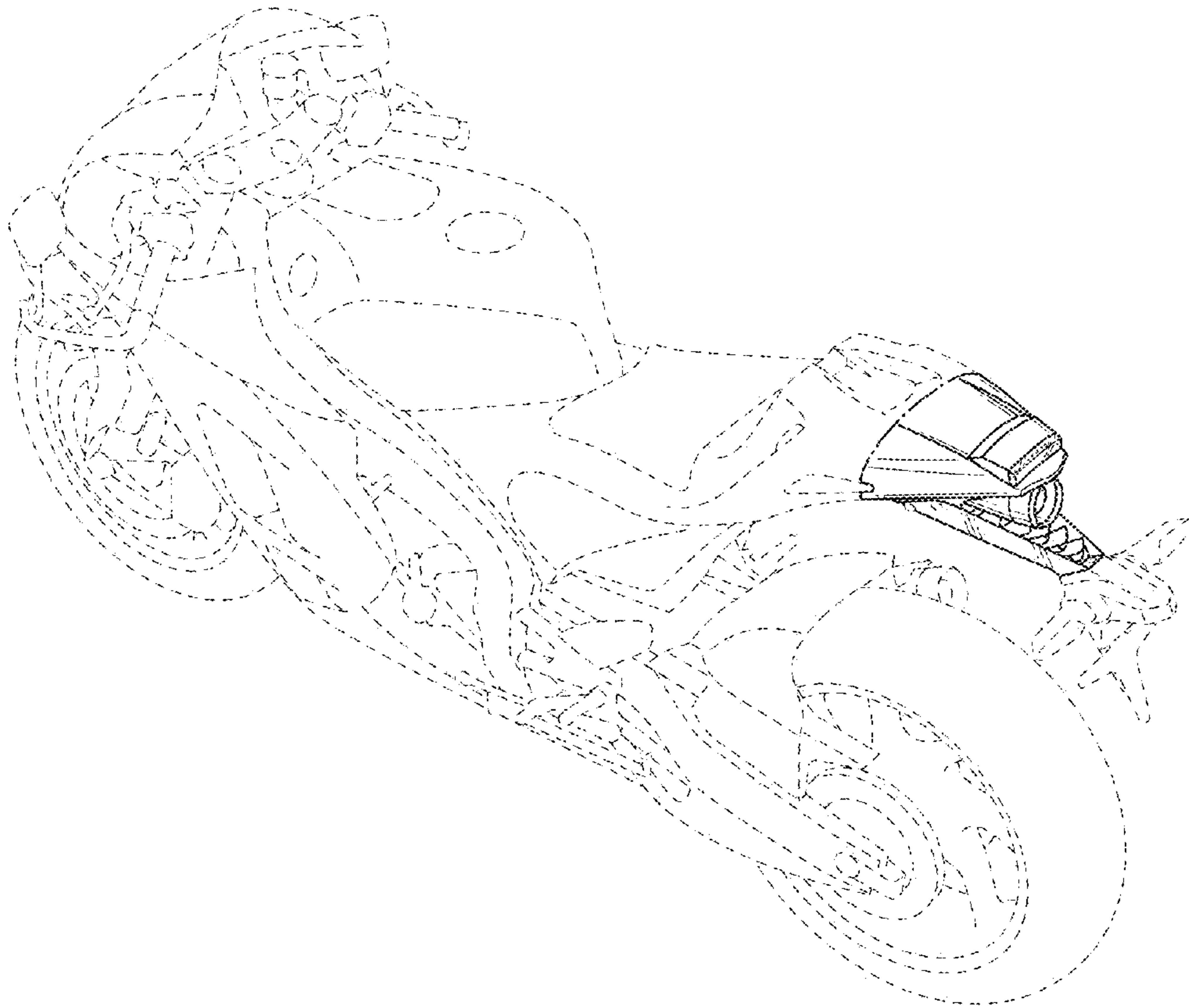


FIG. 5

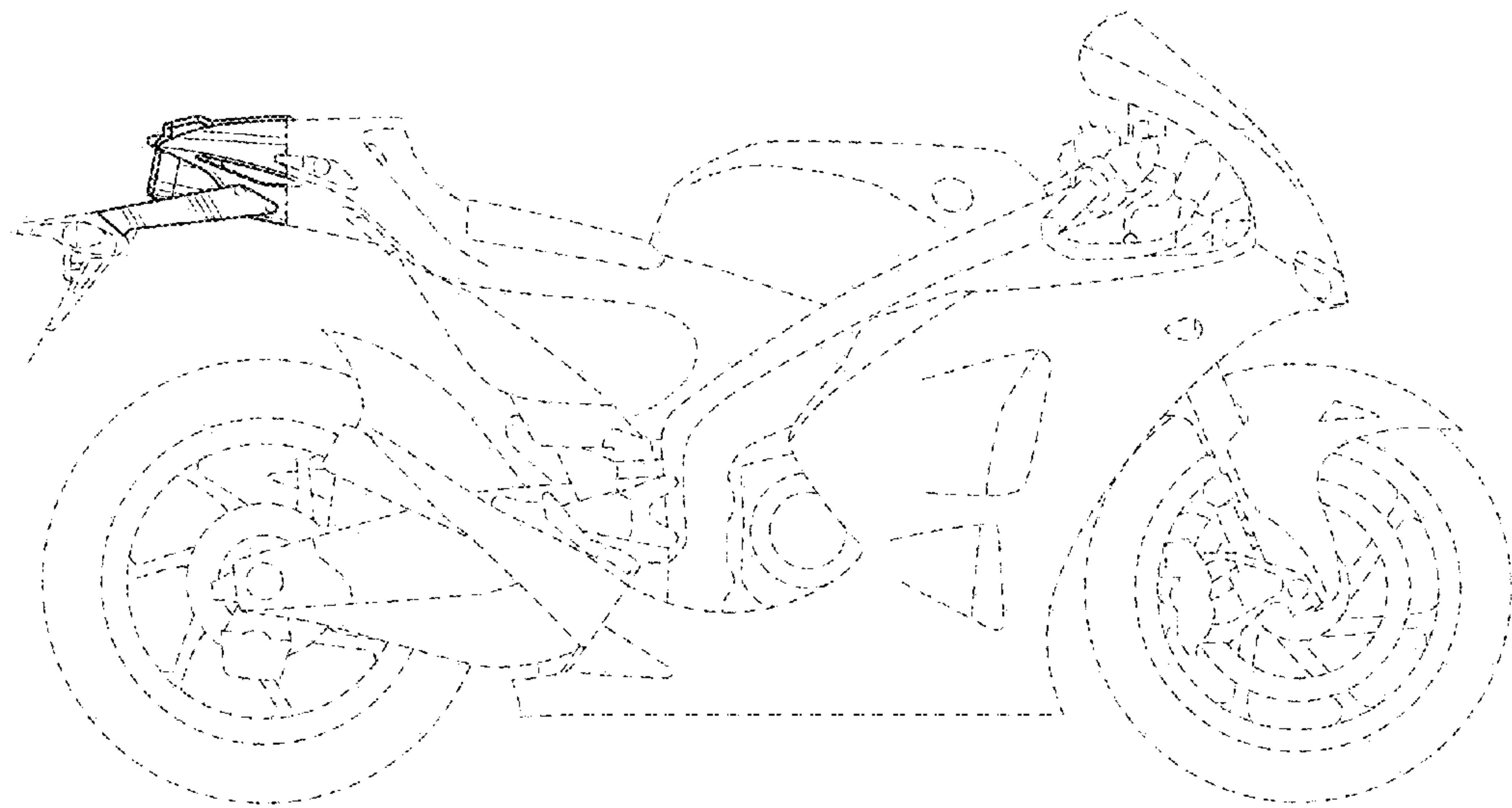


FIG. 6

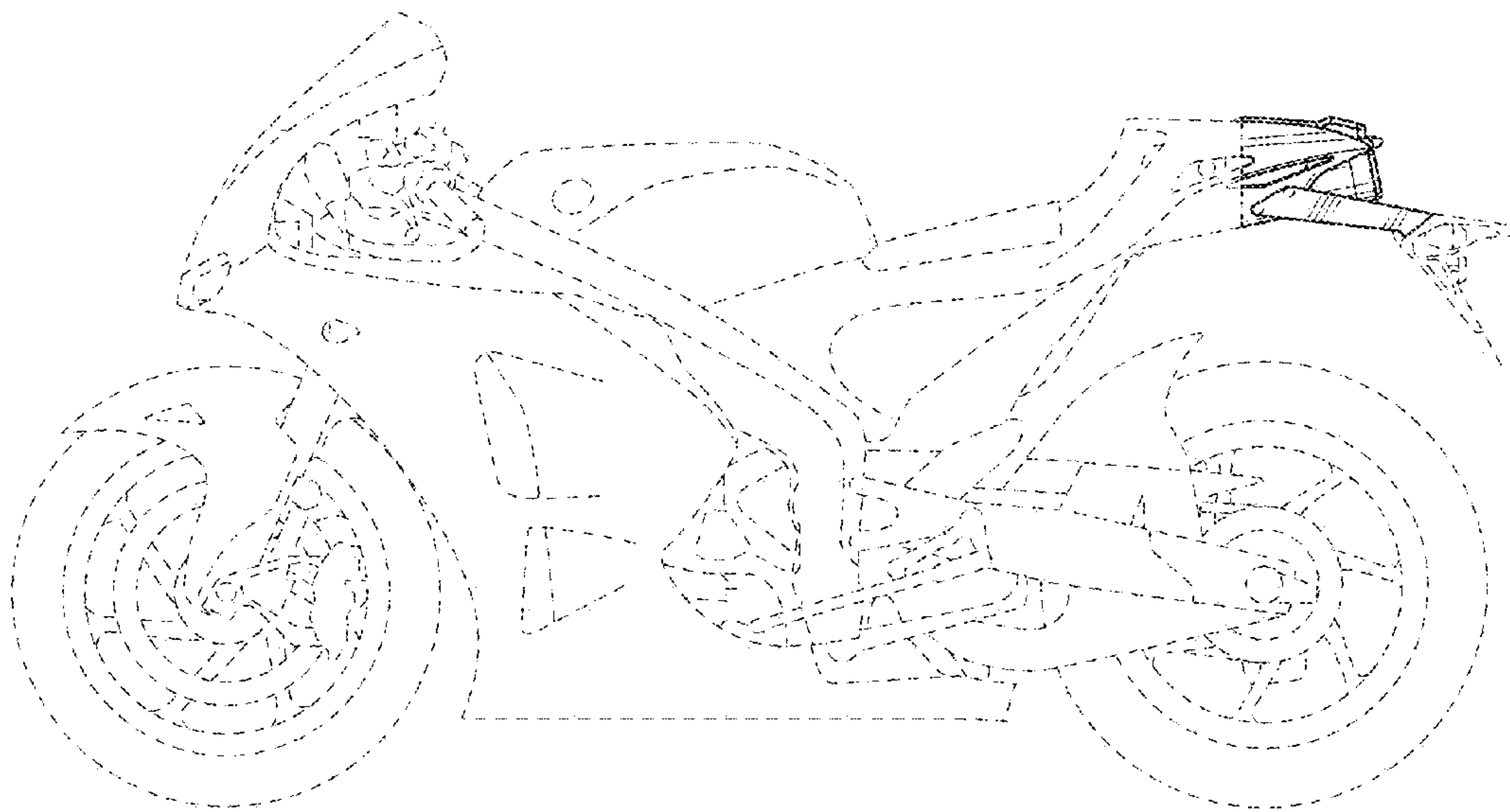


FIG. 7

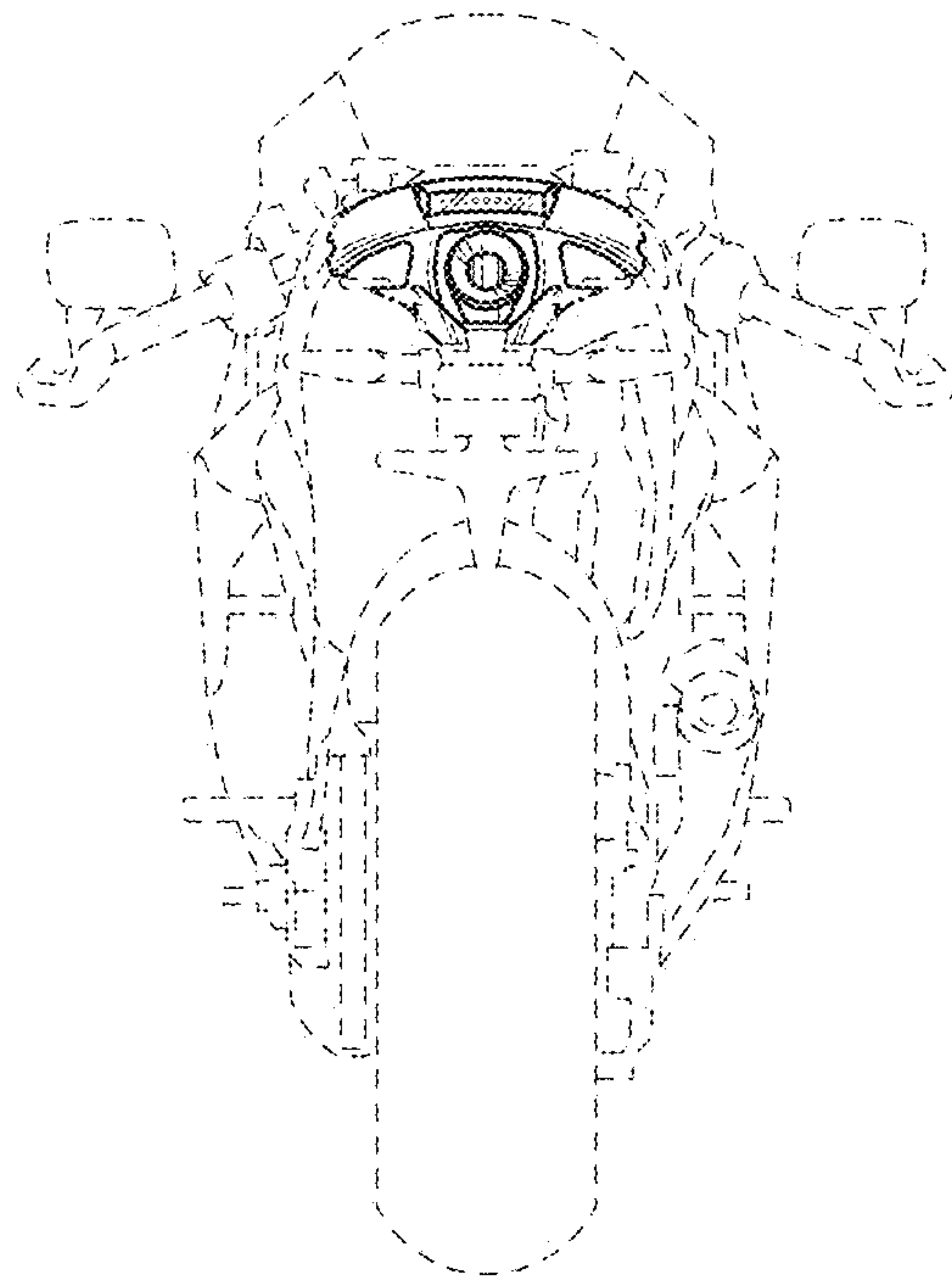


FIG. 8

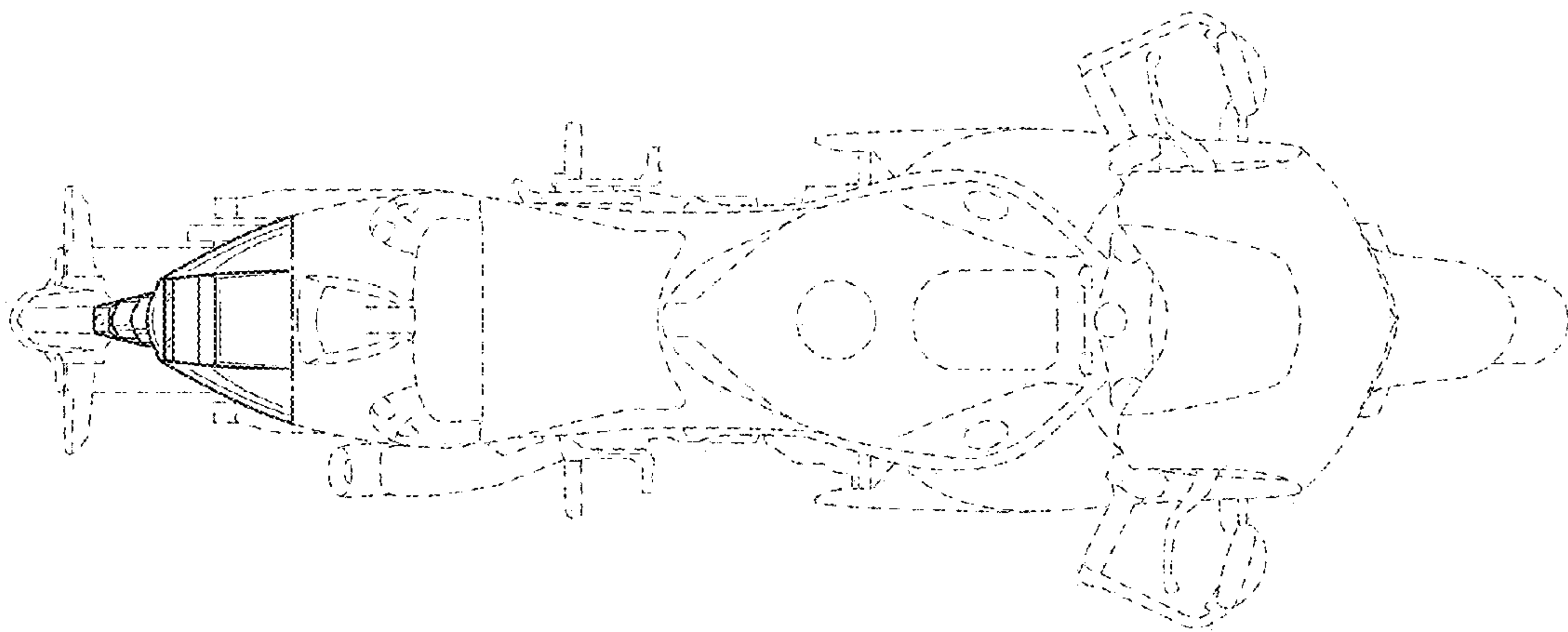


FIG. 9

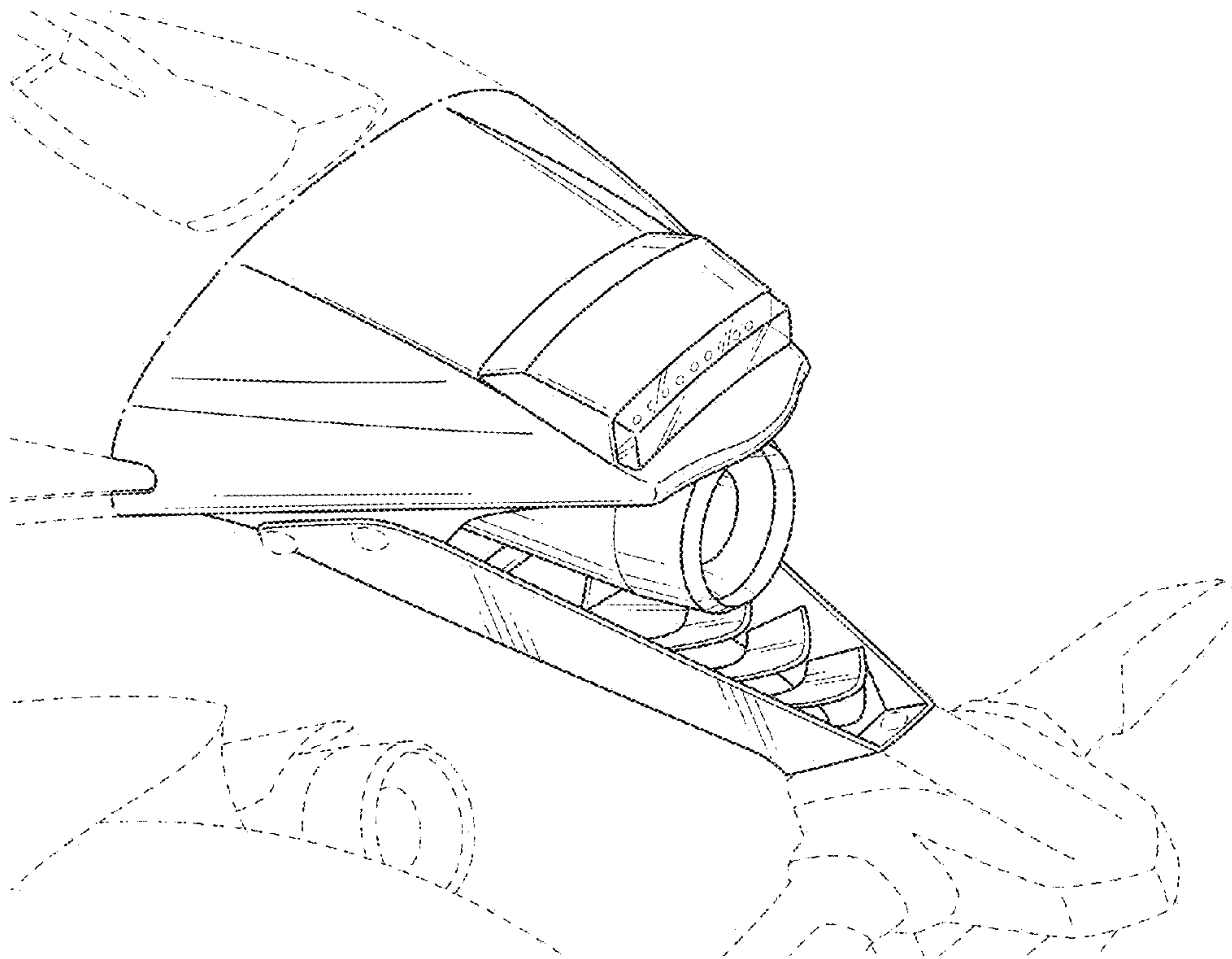


FIG. 10

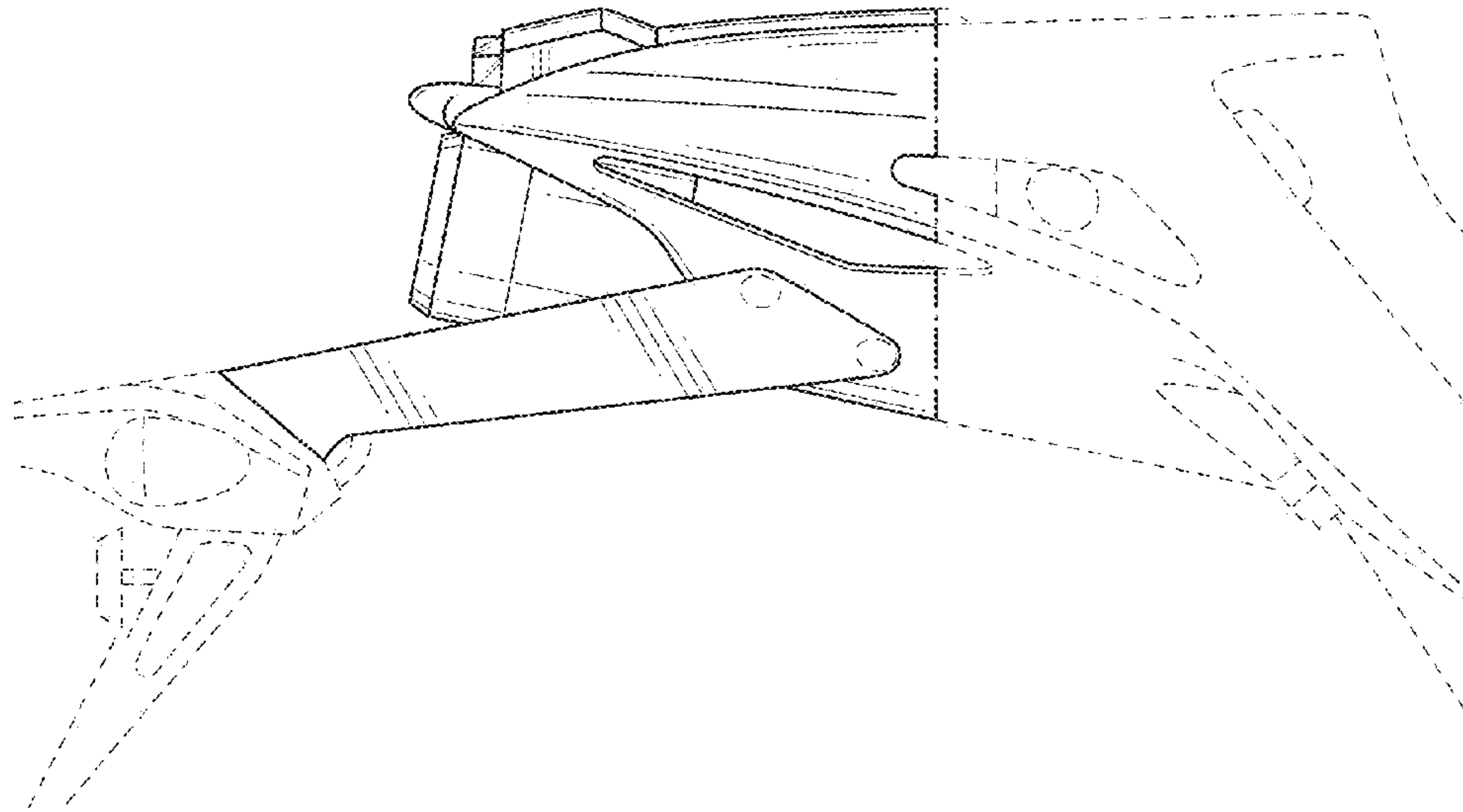


FIG. 11

