



US00D724997S

(12) **United States Design Patent**  
**Brew et al.**

(10) **Patent No.:** **US D724,997 S**  
(45) **Date of Patent:** **\*\* Mar. 24, 2015**

(54) **UTILITY VEHICLE**

D679,627 S \* 4/2013 Li et al. .... D12/14  
D689,396 S \* 9/2013 Wang ..... D12/14  
D694,668 S \* 12/2013 Li et al. .... D12/14

(71) Applicant: **Eicher Polaris Private Limited**, New Delhi (IN)

\* cited by examiner

(72) Inventors: **Gregory C. Brew**, Minnetonka, MN (US); **Steven D. Wilcox**, Maple Grove, MN (US)

*Primary Examiner* — T. Chase Nelson

*Assistant Examiner* — Ania Aman

(74) *Attorney, Agent, or Firm* — Faegre Baker Daniels LLP

(73) Assignee: **Eicher Polaris Private Limited**, New Delhi (IN)

(57) **CLAIM**

We claim the ornamental design for a utility vehicle, as shown and described.

(\*\*) Term: **14 Years**

**DESCRIPTION**

(21) Appl. No.: **29/441,815**

FIG. 1 is a left front perspective view of a utility vehicle with cab doors and a roof;

(22) Filed: **Jan. 9, 2013**

FIG. 2 is a front view of the utility vehicle of FIG. 1;

(51) **LOC (10) Cl.** ..... **12-13**

FIG. 3 is a rear view of the utility vehicle of FIG. 1;

(52) **U.S. Cl.**

FIG. 4 is a left side view of the utility vehicle of FIG. 1;

USPC ..... **D12/14**

FIG. 5 is a right side view of the utility vehicle of FIG. 1;

(58) **Field of Classification Search**

USPC ..... D12/14, 1, 87, 86, 433, 15, 16, 107, 82,

D12/88, 89, 90, 91, 92, 93; D21/803;

180/233, 908; 208/DIG. 5, 183, 184,

208/185, 186, 28, 37.7

See application file for complete search history.

FIG. 6 is a top view of the utility vehicle of FIG. 1;

FIG. 7 is a left front perspective view of the utility vehicle of FIGS. 1-6 shown in an alternate configuration without cab doors and a roof;

FIG. 8 is a front view of the utility vehicle of FIG. 7;

FIG. 9 is a rear view of the utility vehicle of FIG. 7;

FIG. 10 is a left side view of the utility vehicle of FIG. 7;

FIG. 11 is a right side view of the utility vehicle of FIG. 7; and,

FIG. 12 is a top view of the utility vehicle of FIG. 7.

The broken line shown in the drawings are for the purpose of illustrating portions of the article that form no part of the claimed design.

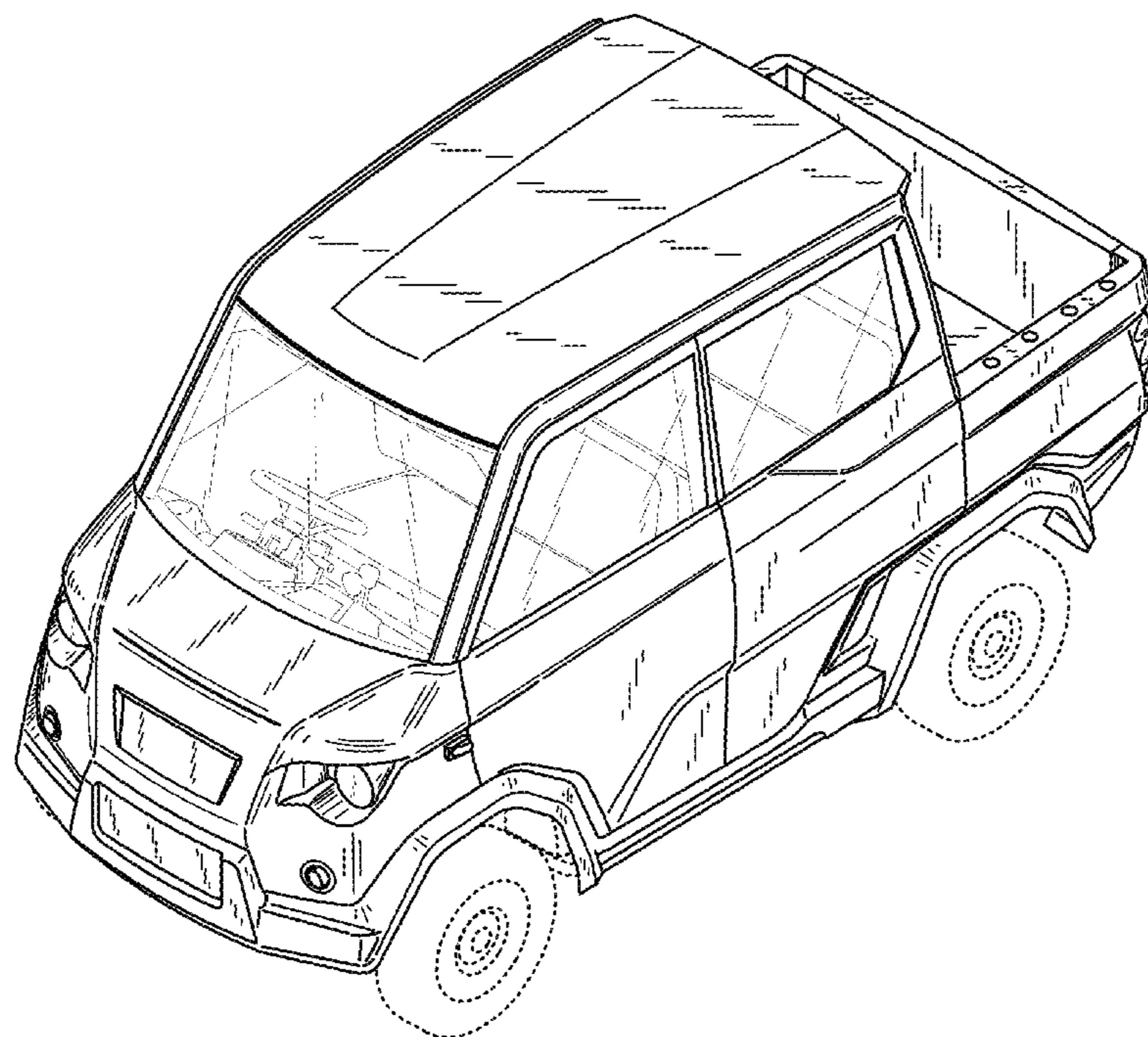
(56) **References Cited**

**U.S. PATENT DOCUMENTS**

D621,423 S \* 8/2010 Nakanishi et al. .... D15/23

D670,198 S \* 11/2012 Li et al. .... D12/14

**1 Claim, 8 Drawing Sheets**



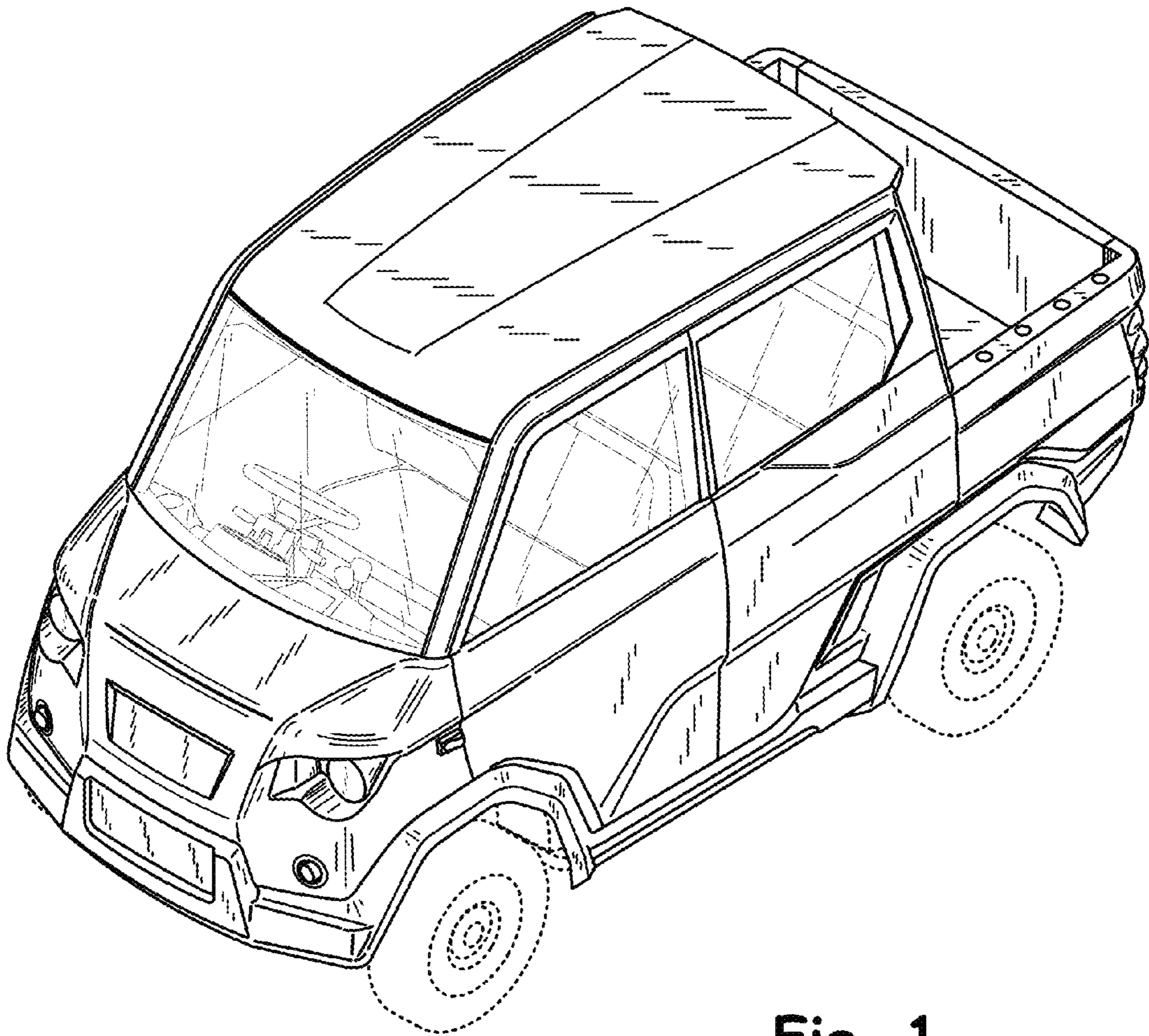


Fig. 1

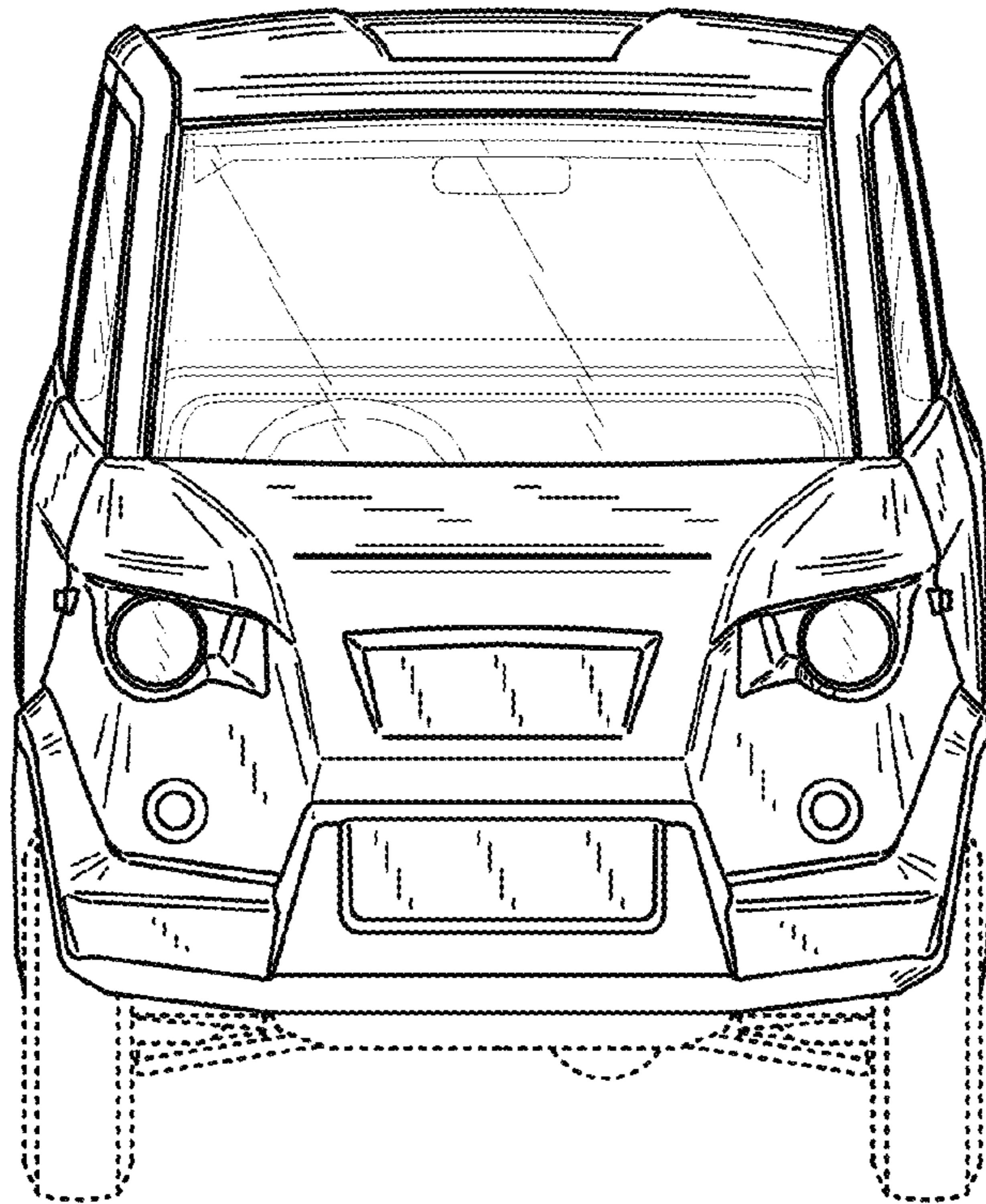


Fig. 2

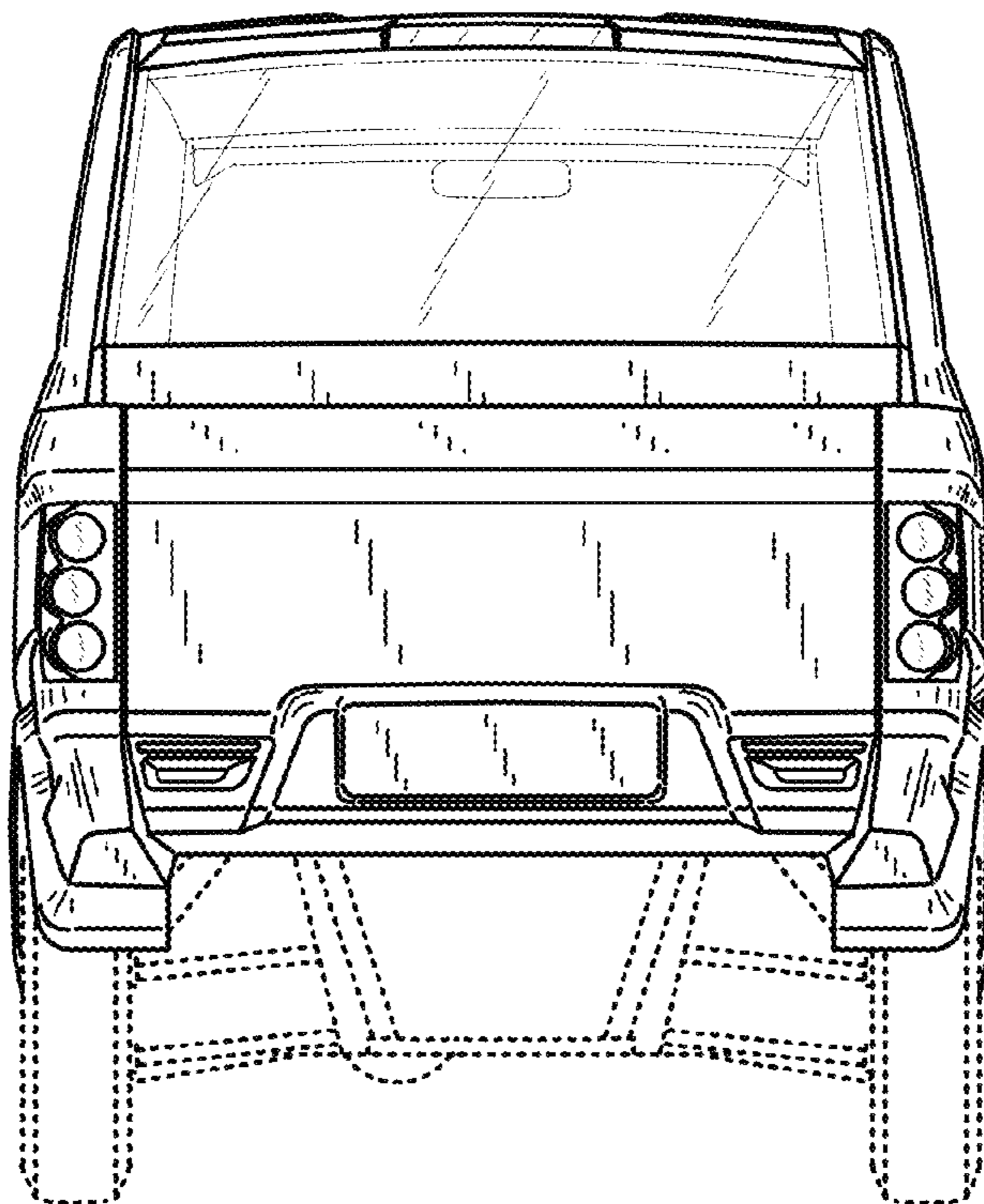


Fig. 3

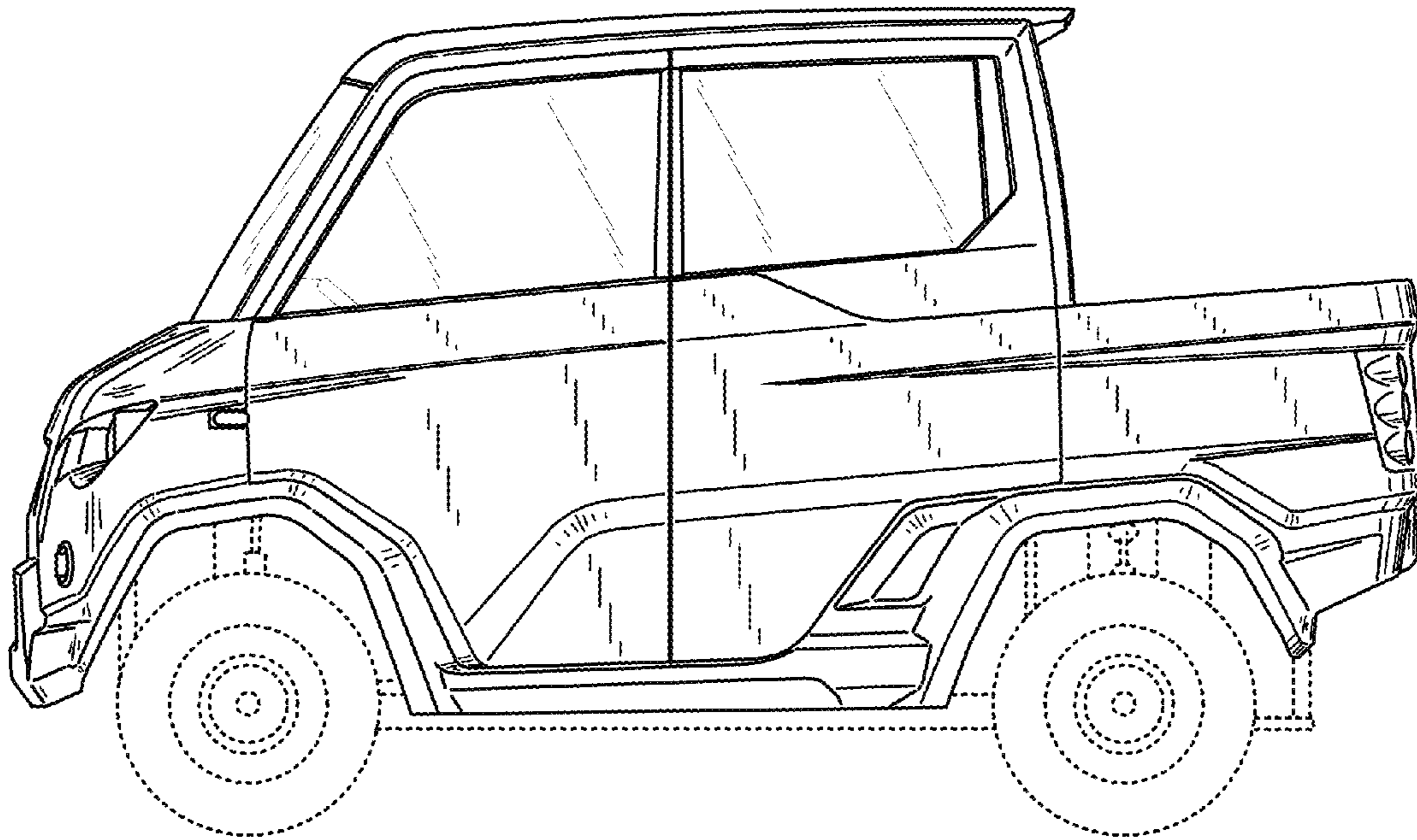


Fig. 4

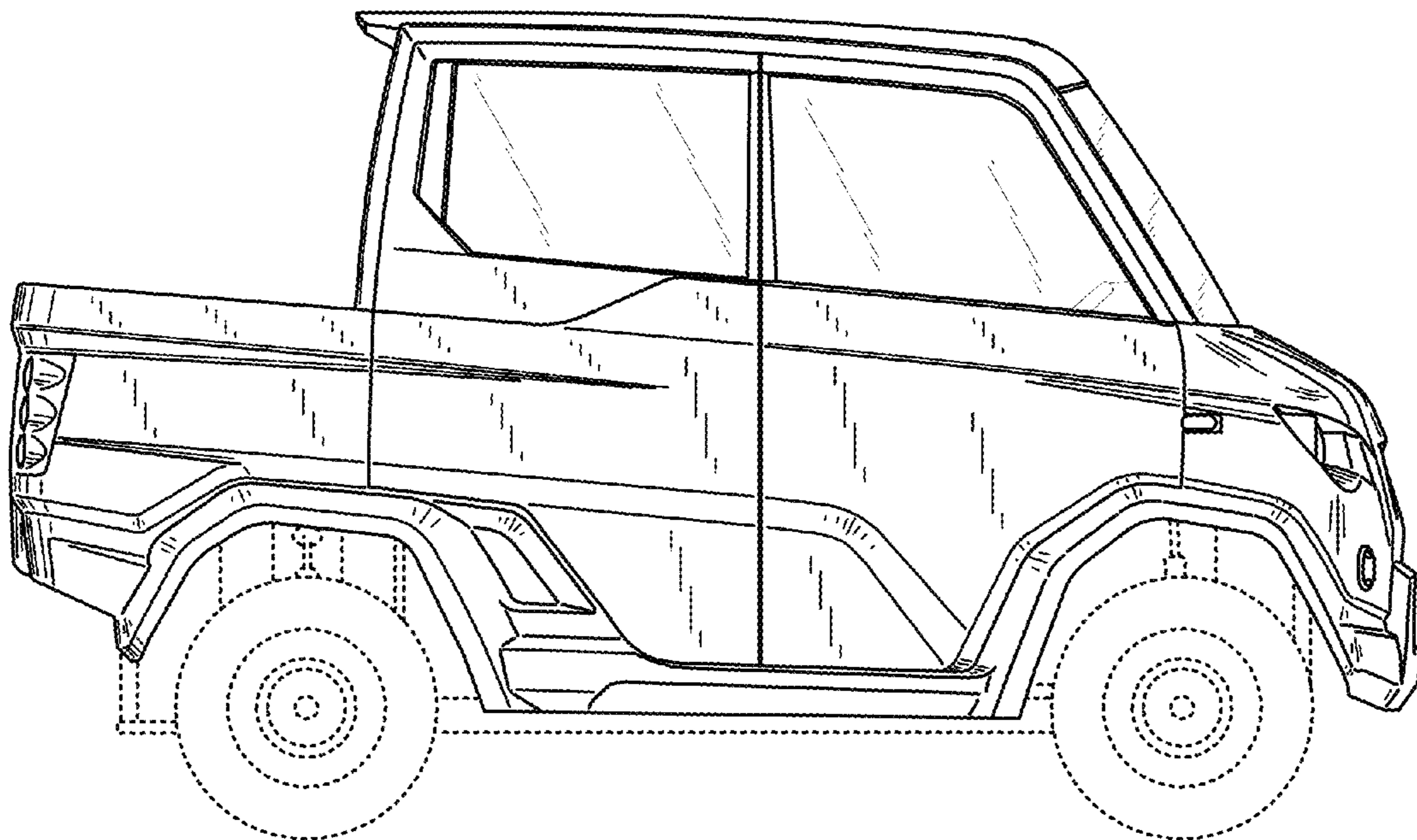


Fig. 5

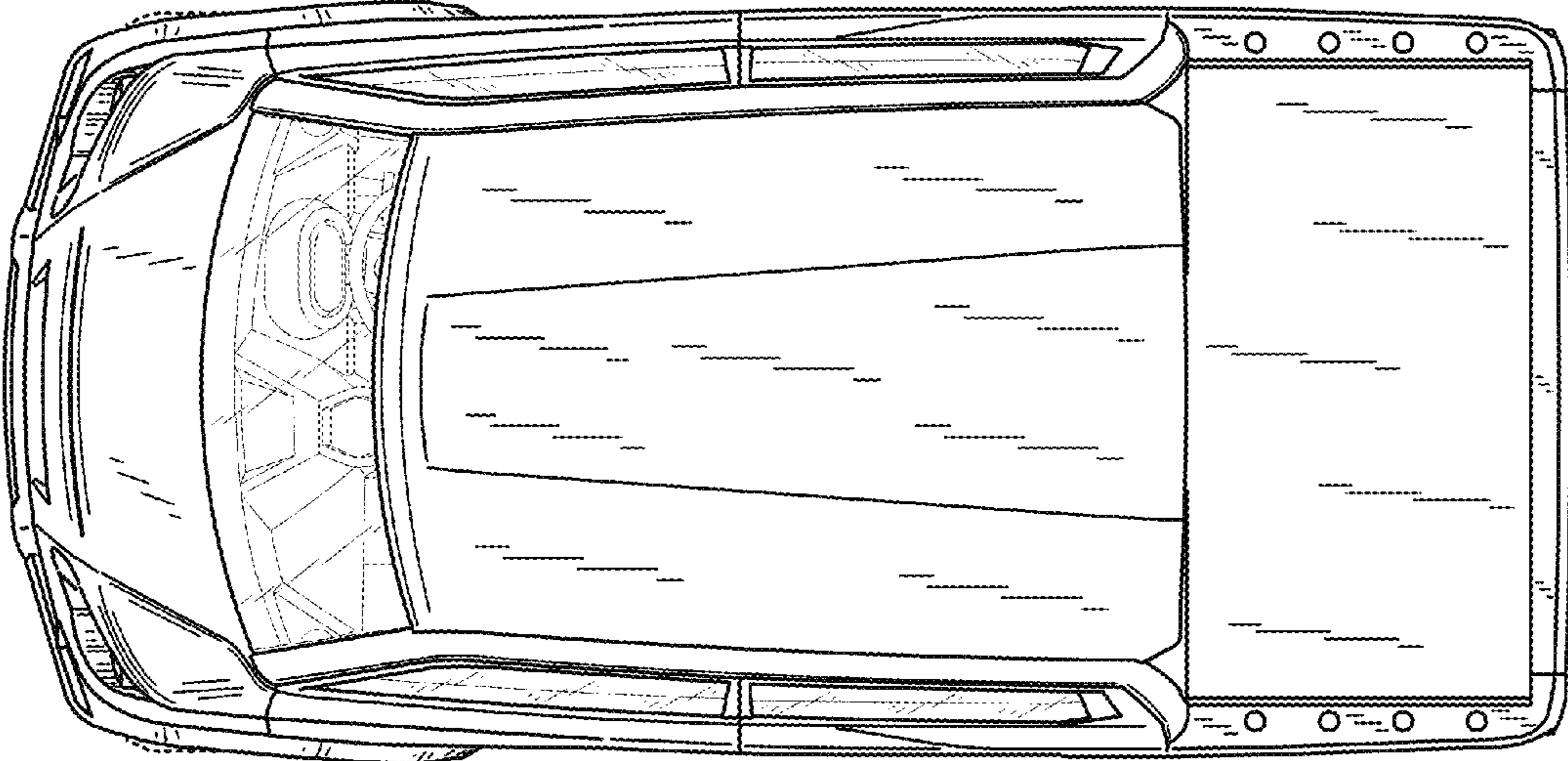


Fig. 6

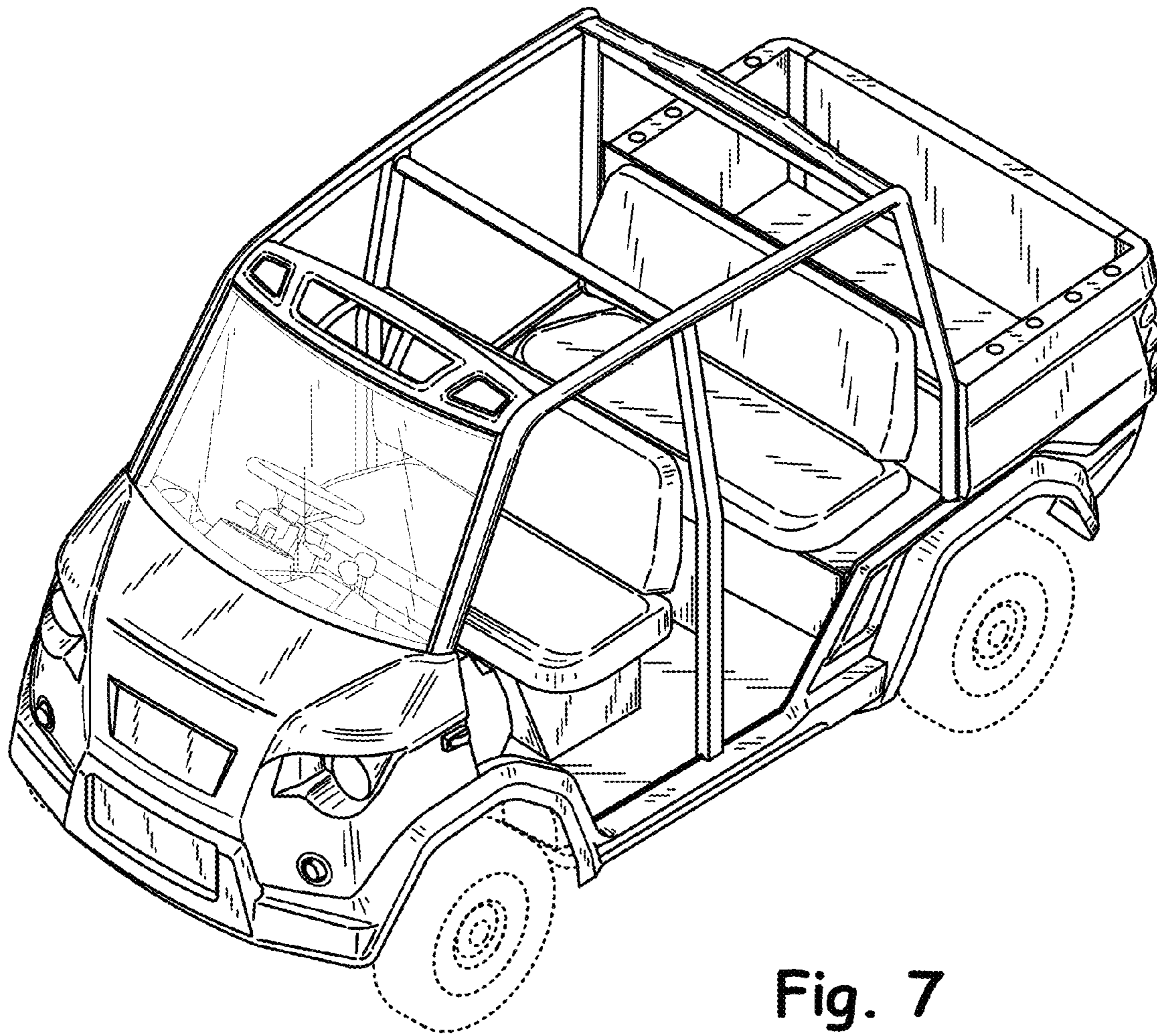


Fig. 7

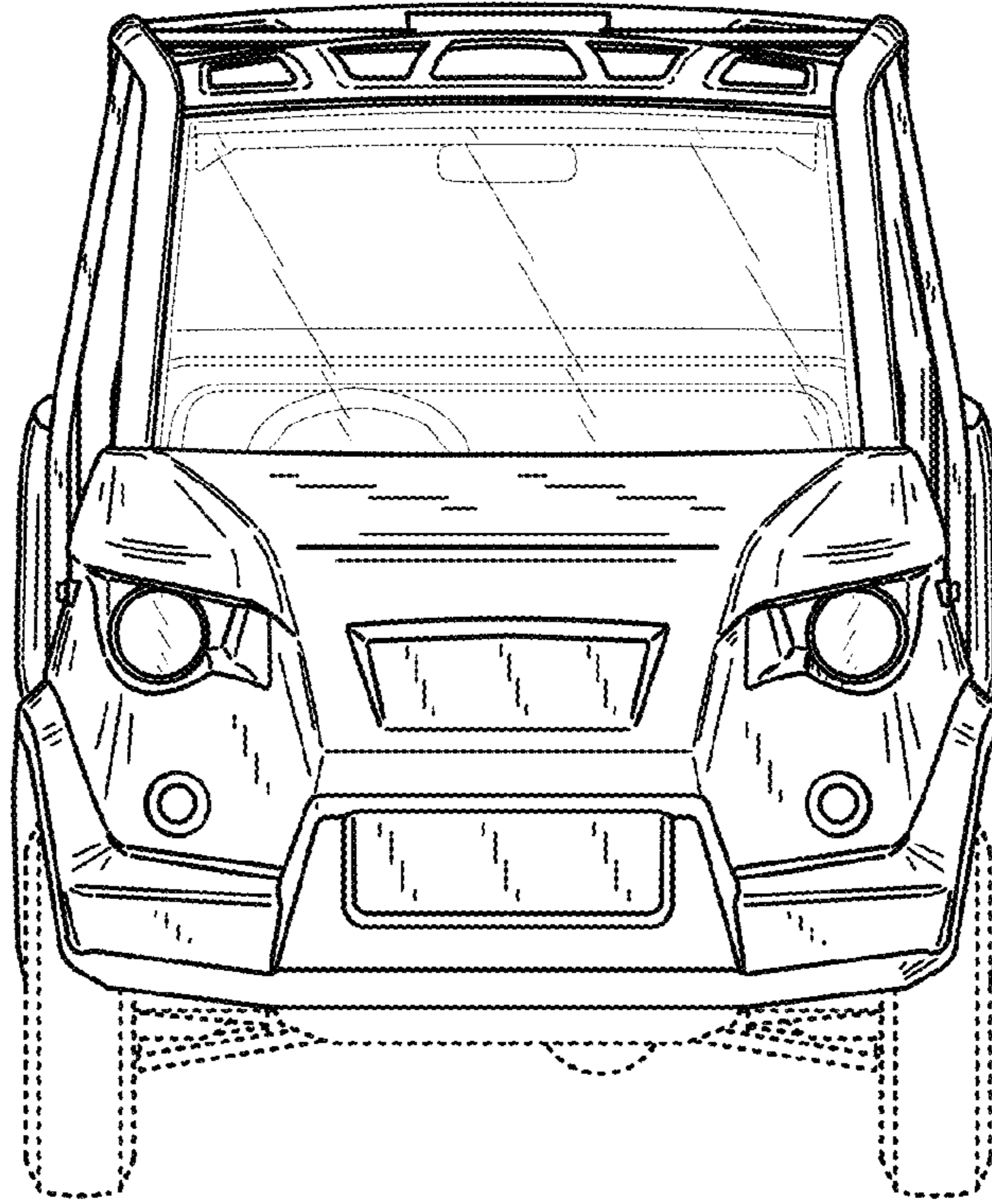


Fig. 8

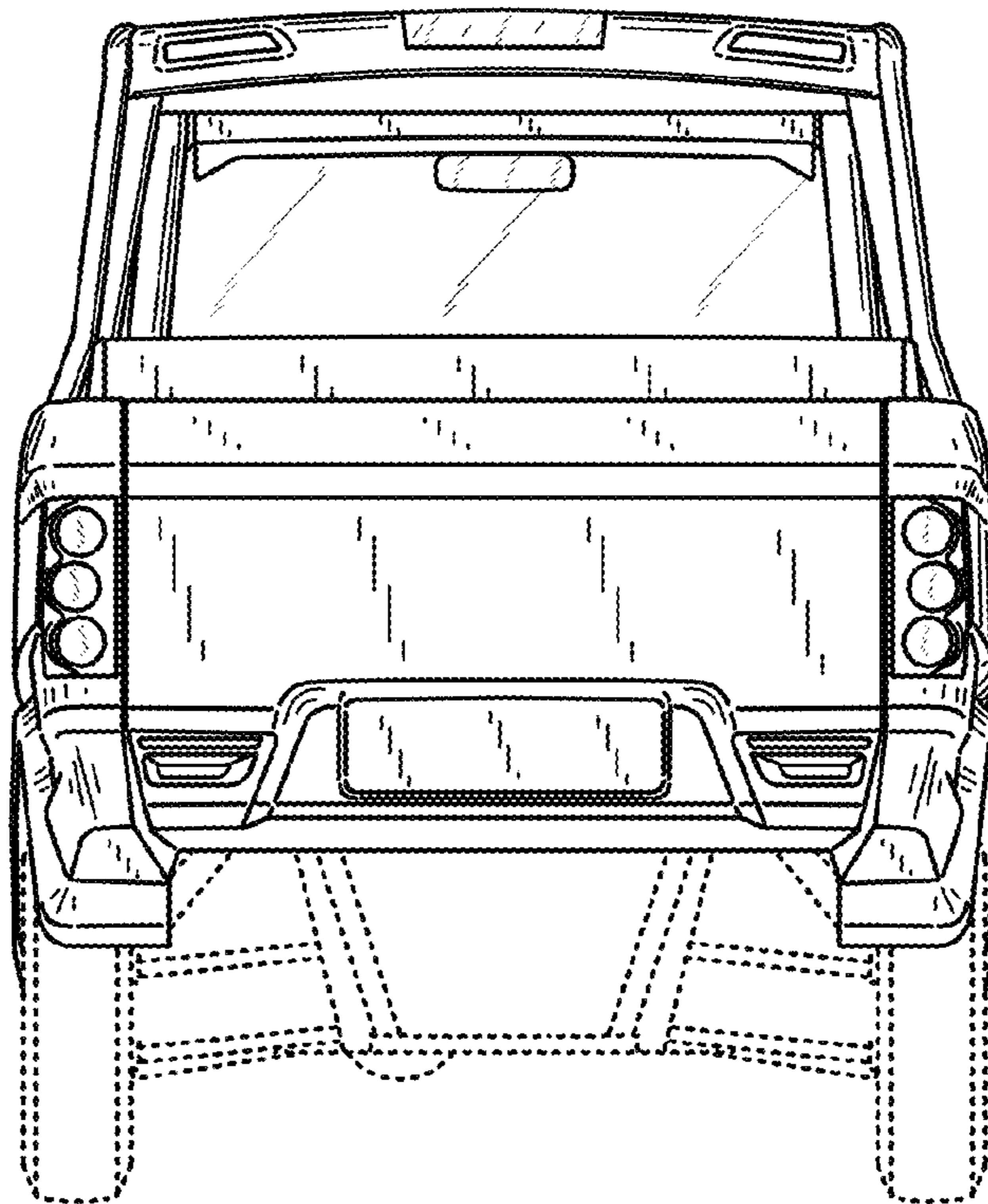


Fig. 9

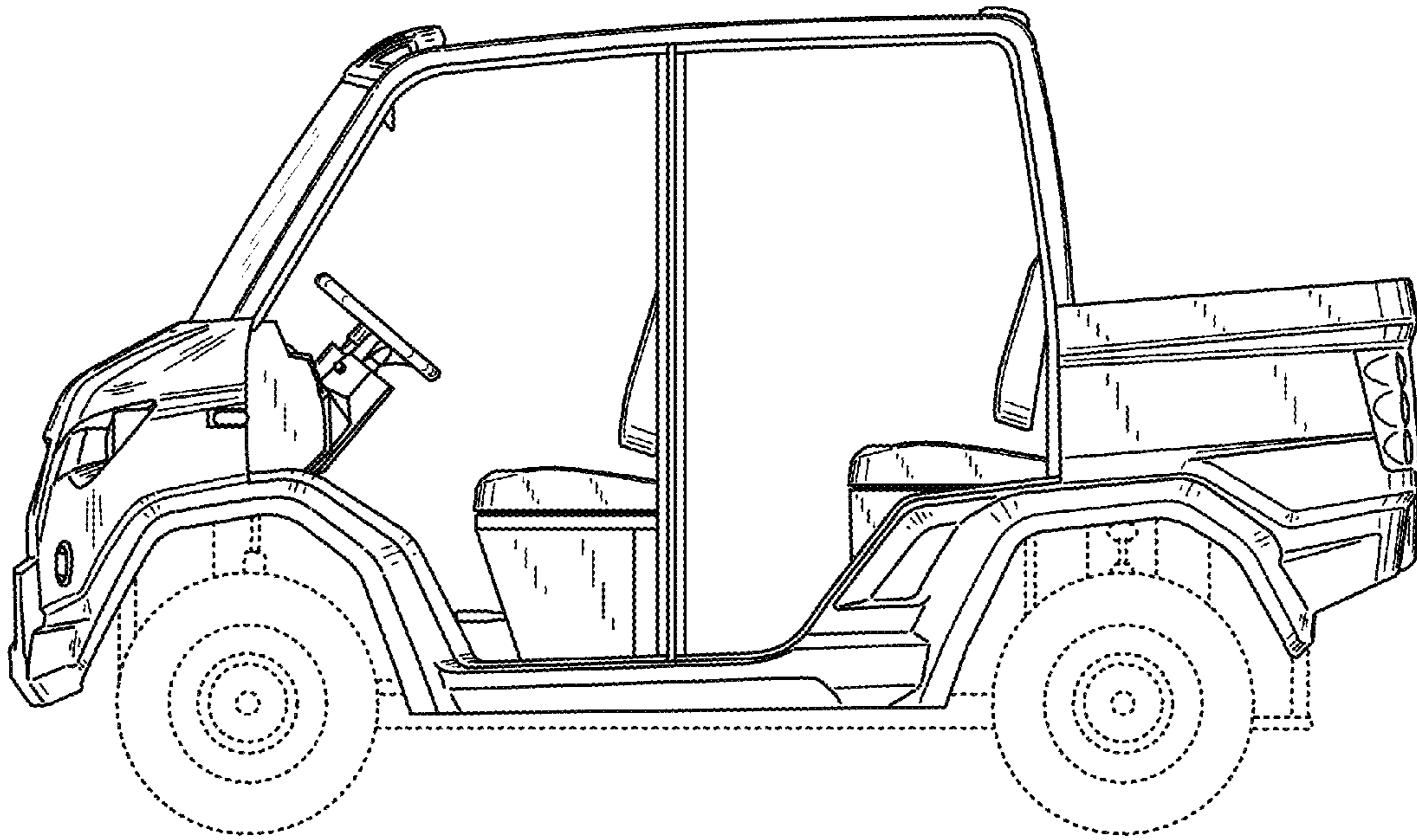


Fig. 10

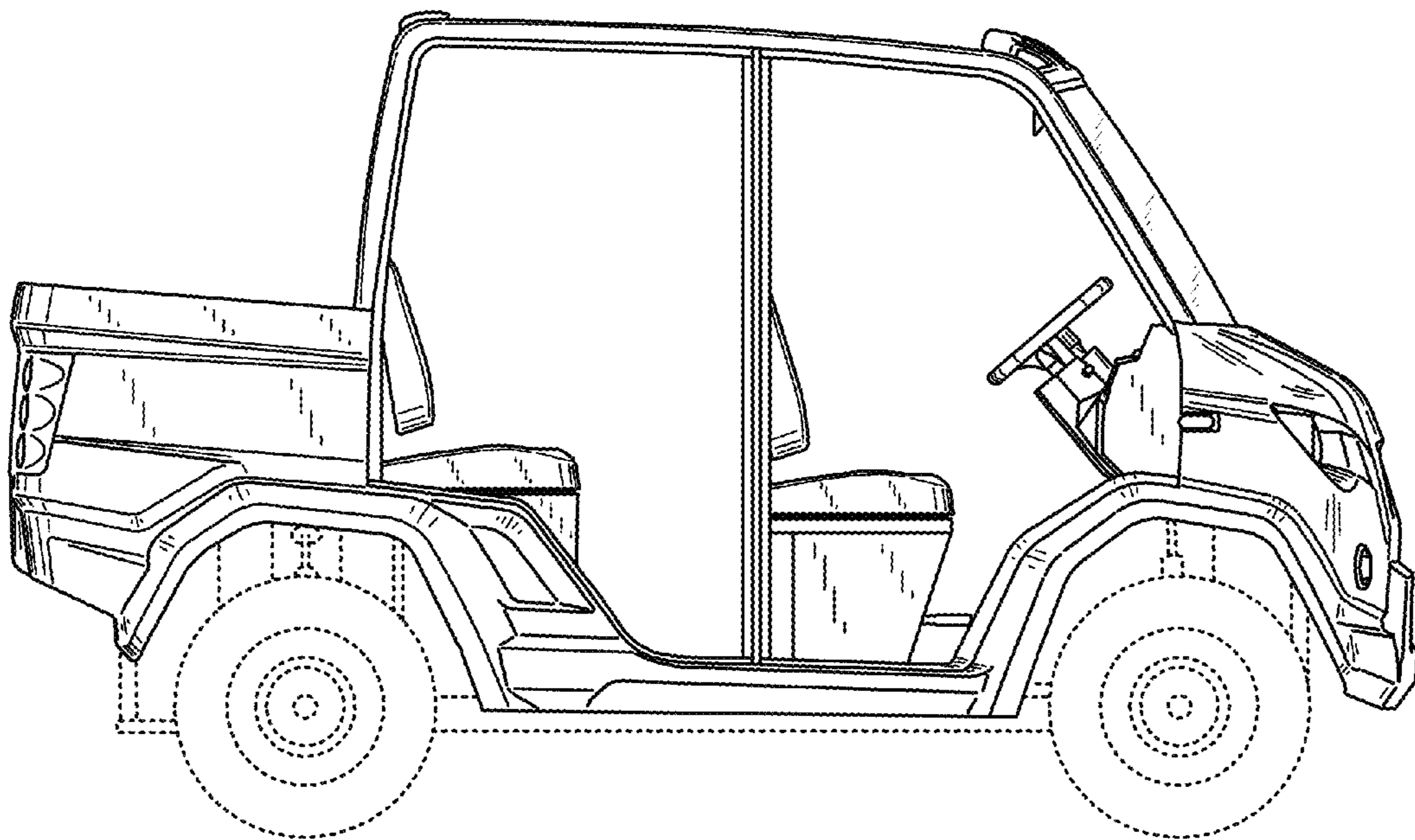


Fig. 11



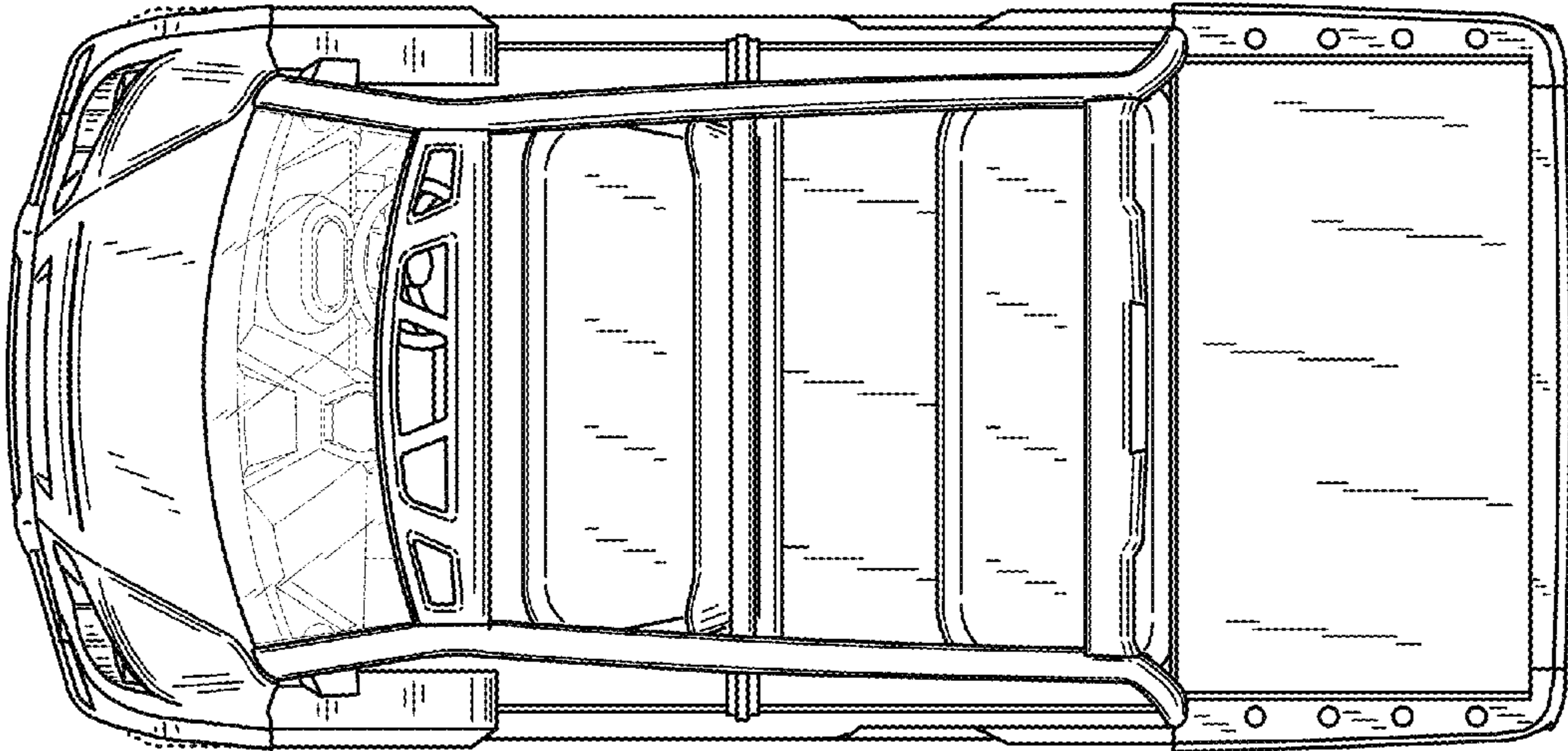


Fig. 12