



US00D724996S

(12) **United States Design Patent**
Hung

(10) **Patent No.:** **US D724,996 S**

(45) **Date of Patent:** **** Mar. 24, 2015**

(54) **ZIPPER**

(71) Applicant: **Able Investments Limited**, Kwun Tong
(HK)

(72) Inventor: **Wan-Hoi Gilbert Hung**, Kwun Tong
(HK)

(73) Assignee: **Able Investments Limited**, Kwun Tong
(HK)

(**) Term: **14 Years**

(21) Appl. No.: **29/487,056**

(22) Filed: **Apr. 4, 2014**

(51) **LOC (10) Cl.** **02-07**

(52) **U.S. Cl.**
USPC **D11/221**

(58) **Field of Classification Search**
CPC A44B 19/00; A44B 19/02; A44B 19/04;
A44B 19/10; A44B 19/24; A44B 19/26;
A44B 19/30
USPC D11/200, 201, 221; 24/381-383,
24/385-387, 414-417, 421-422, 427-431,
24/433, 412, 424; 2/265; D2/641, 642;
294/3.6; 223/118

See application file for complete search history.

(56) **References Cited**

U.S. PATENT DOCUMENTS

D252,896 S *	9/1979	Jovin	D11/221
7,353,570 B2 *	4/2008	Himi	24/405
D628,123 S *	11/2010	Kojima et al.	D11/221
D632,218 S *	2/2011	Yamamoto et al.	D11/221
D644,564 S *	9/2011	Kojima et al.	D11/221
D657,287 S *	4/2012	Cheng	D11/221
D672,686 S *	12/2012	Masani et al.	D11/221
D672,687 S *	12/2012	Himi	D11/221
D673,077 S *	12/2012	Fujita	D11/221
8,359,717 B2 *	1/2013	Yamamoto et al.	24/411

* cited by examiner

Primary Examiner — Ralf Seifert

(74) *Attorney, Agent, or Firm* — Muncy, Geissler, Olds & Lowe, P.C.

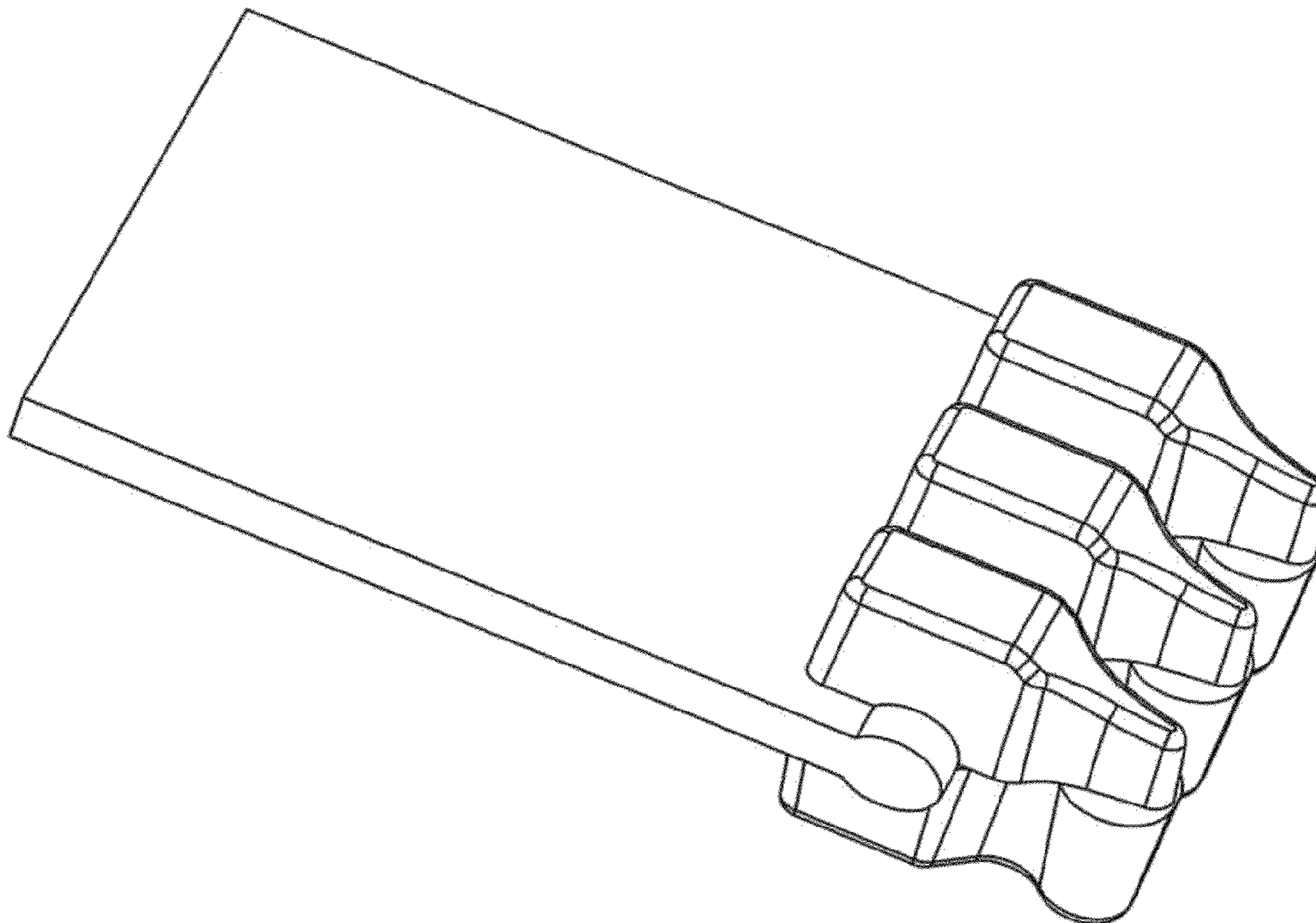
(57) **CLAIM**

The ornamental design for a zipper, as shown and described.

DESCRIPTION

FIG. 1 is a perspective view of a zipper showing the new design;
FIG. 2 is a front view thereof;
FIG. 3 is a rear view thereof;
FIG. 4 is a left side view thereof;
FIG. 5 is a right side view thereof;
FIG. 6 is a top view thereof; and,
FIG. 7 is a bottom view thereof.

1 Claim, 7 Drawing Sheets



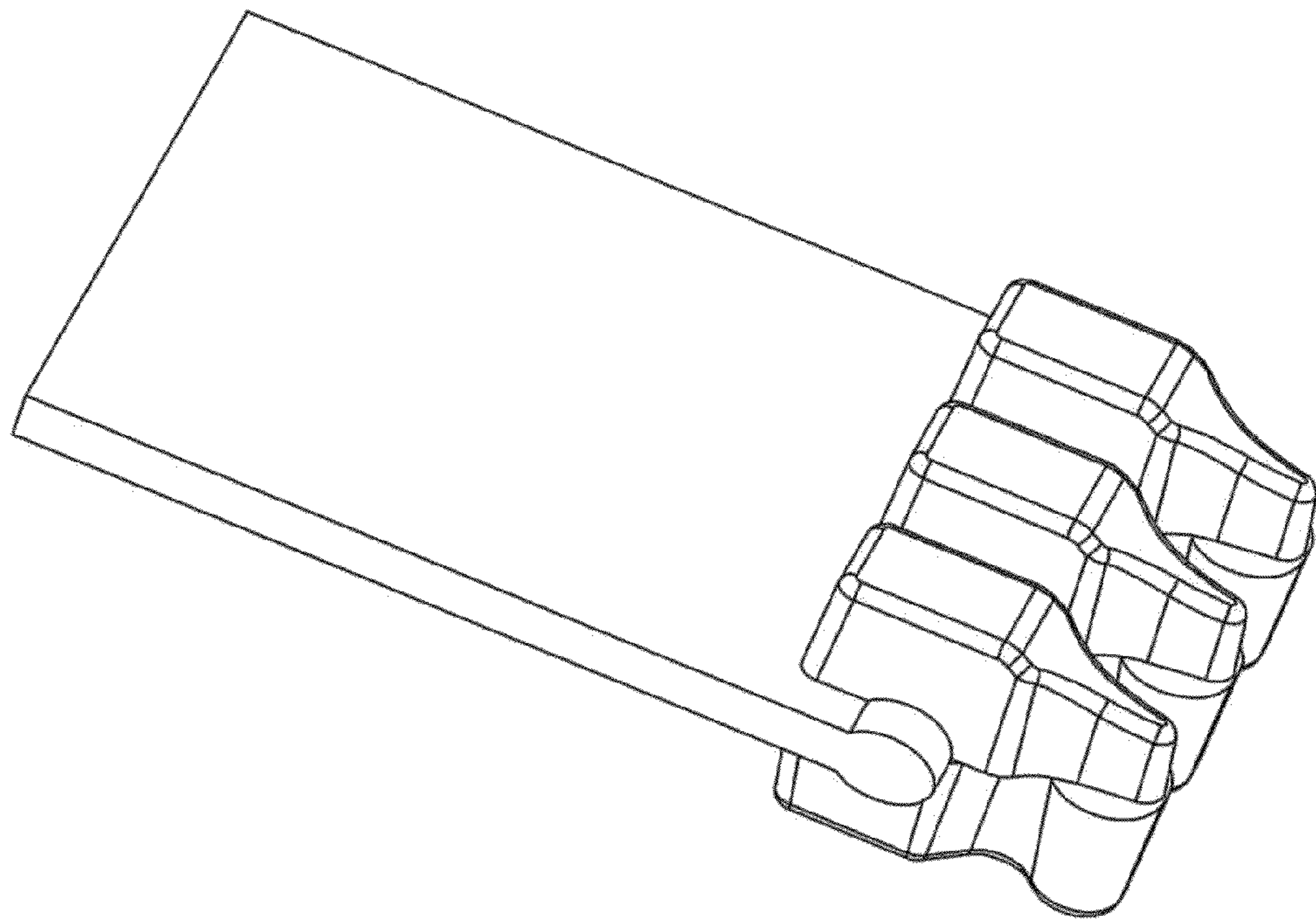


Fig. 1

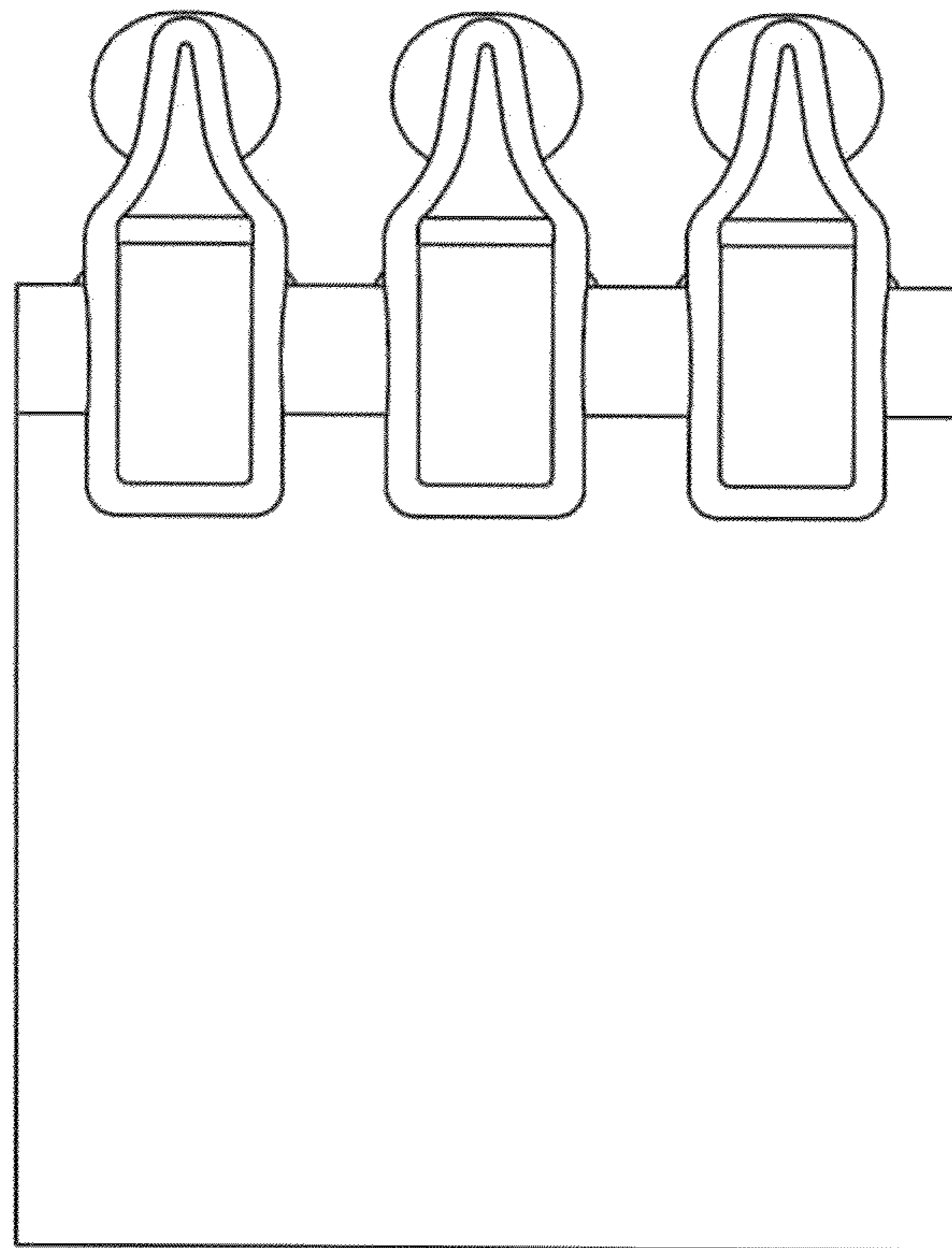


Fig. 2

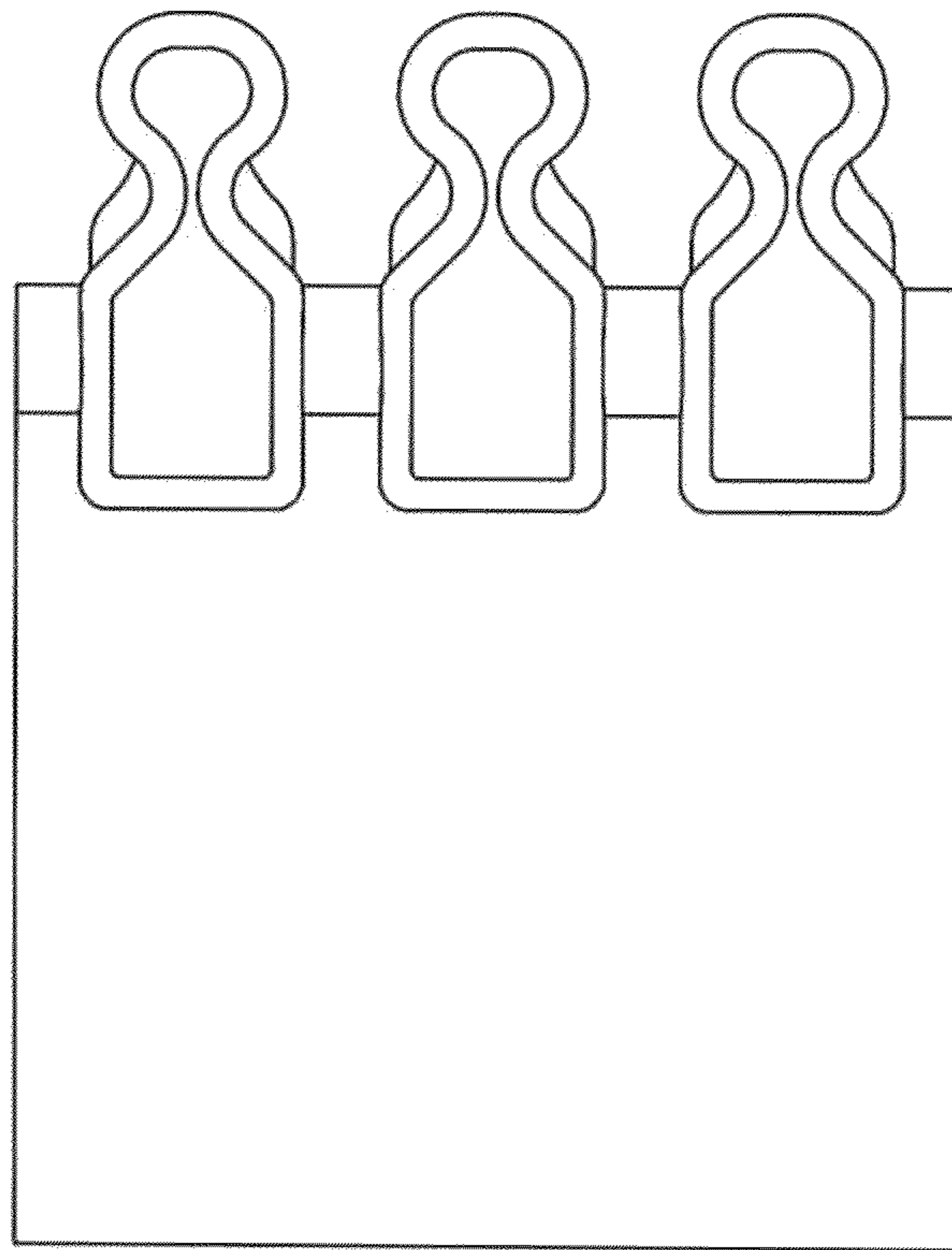


Fig. 3

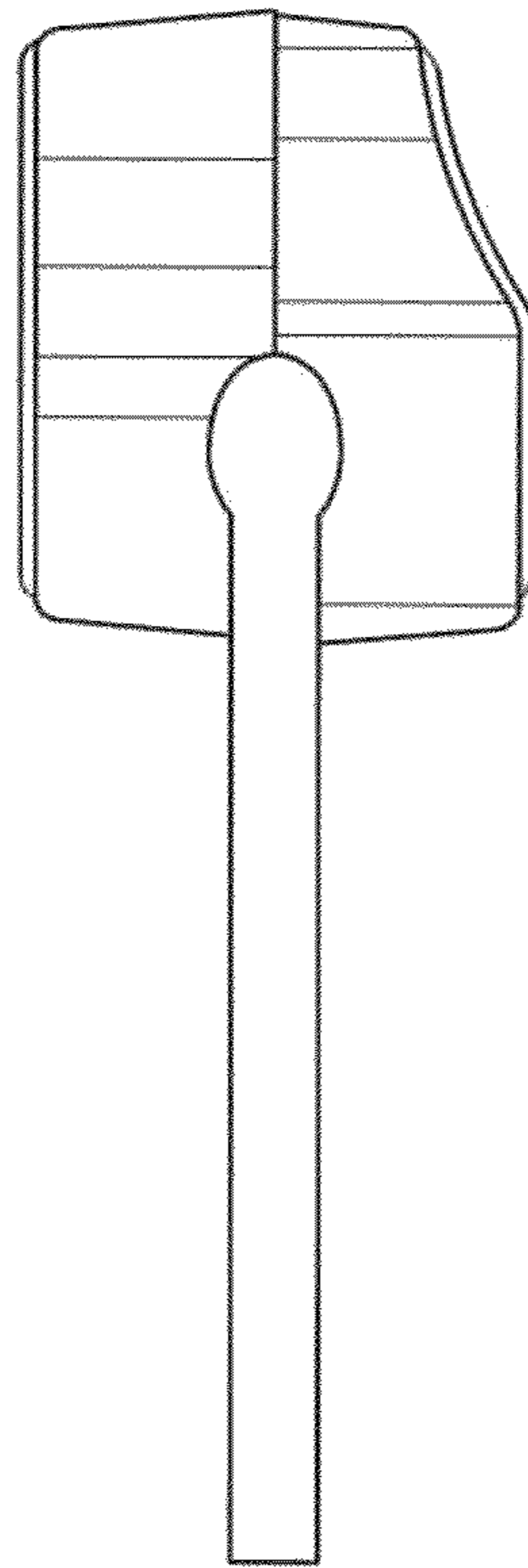


Fig. 4

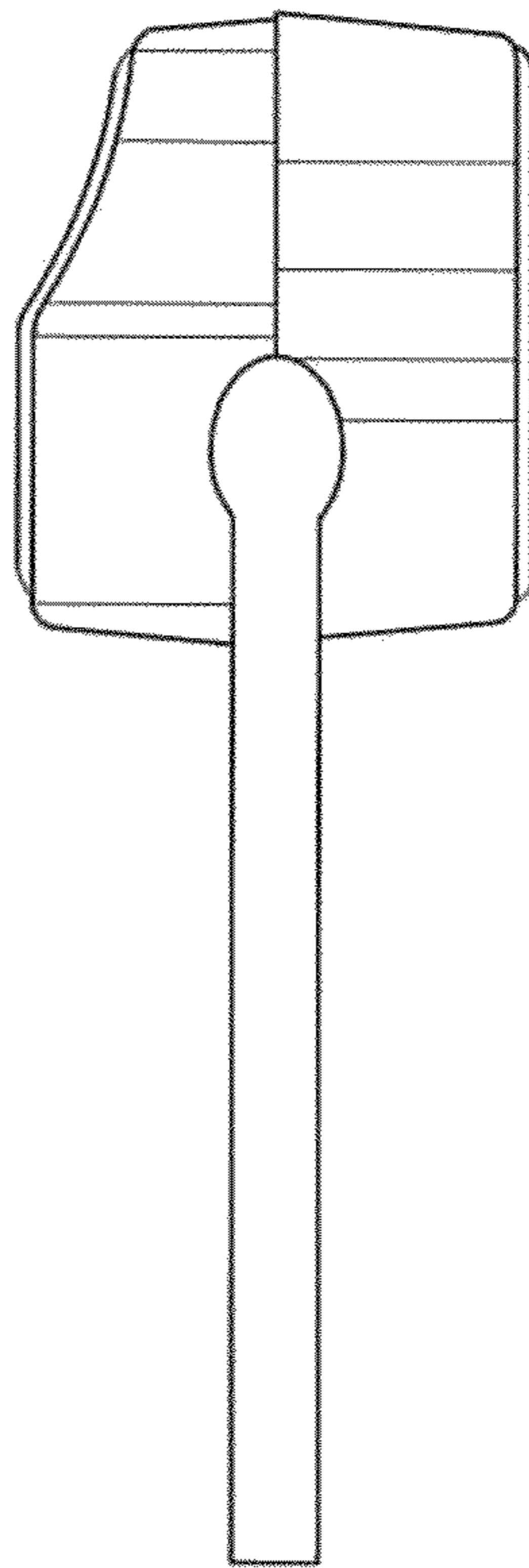


Fig. 5

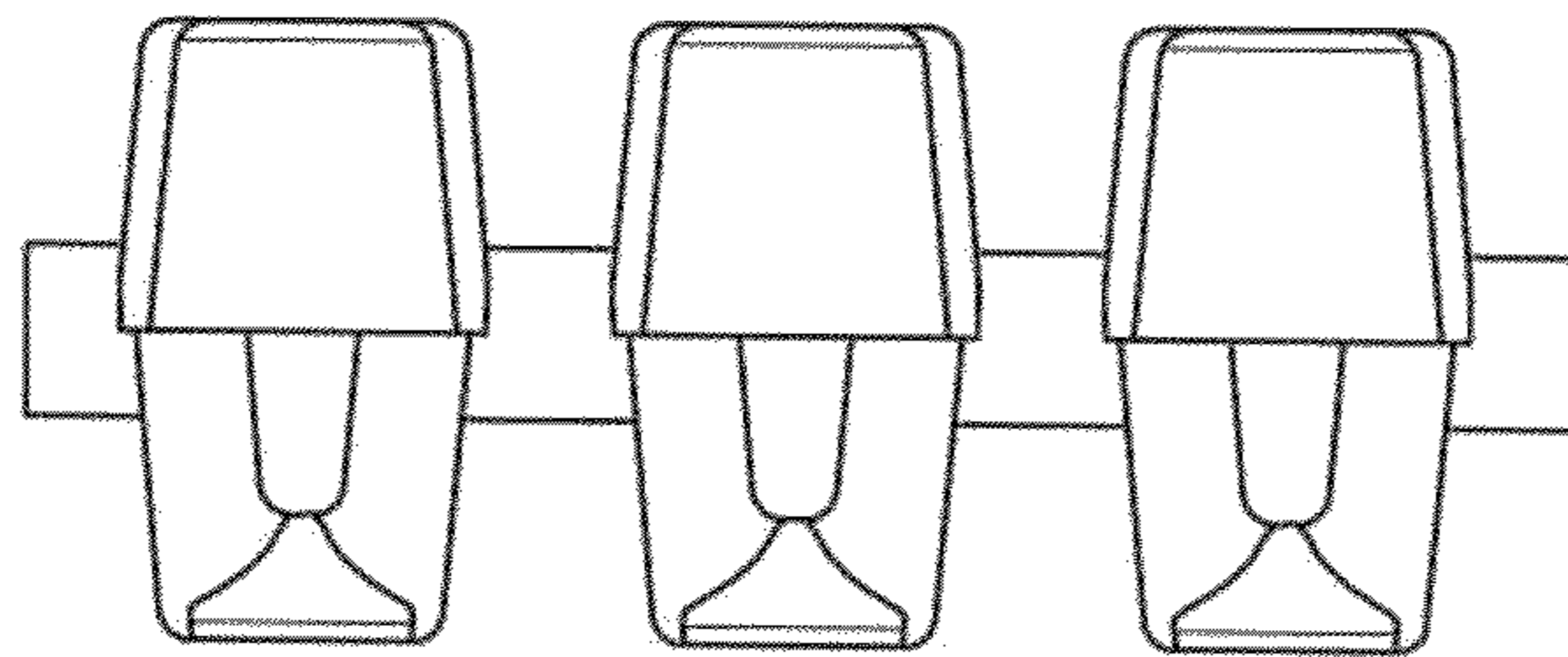


Fig. 6

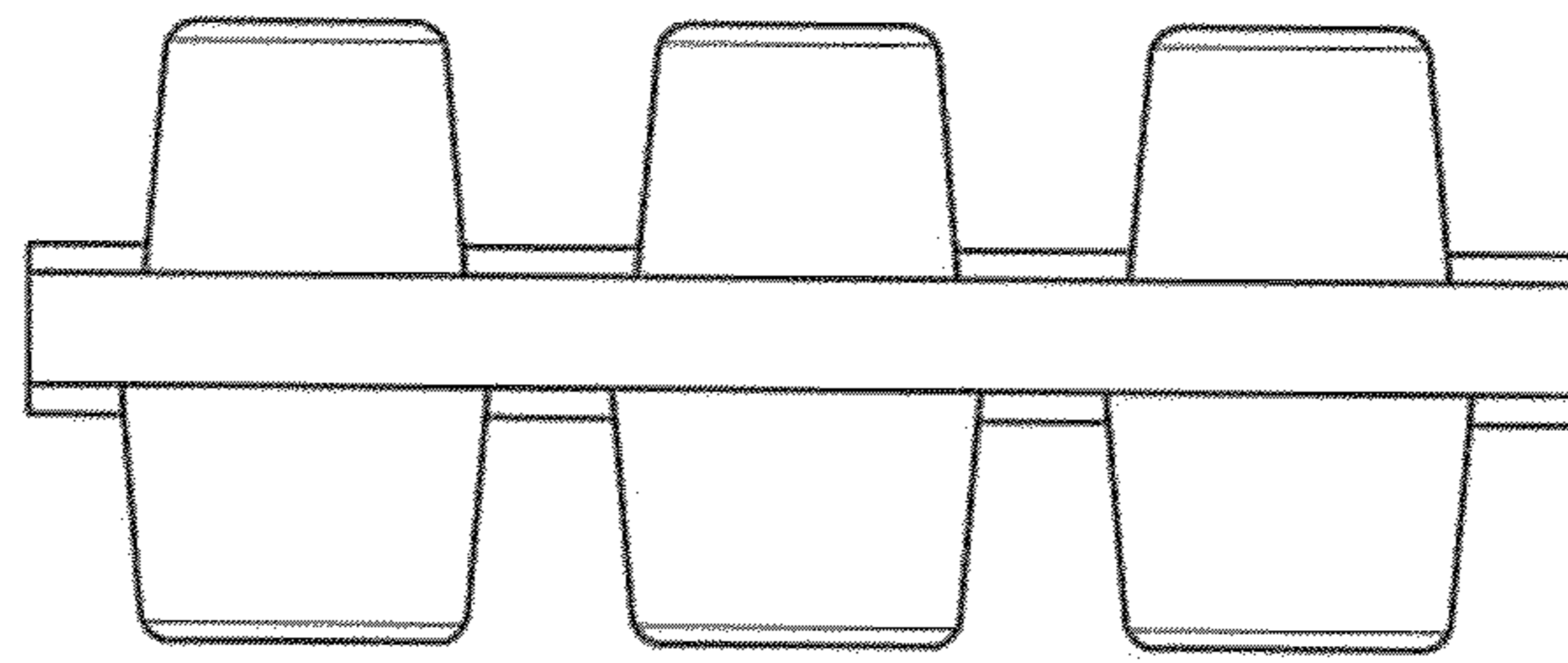


Fig. 7