



US00D724995S

(12) **United States Design Patent**
Paik et al.

(10) **Patent No.:** **US D724,995 S**
(45) **Date of Patent:** **** Mar. 24, 2015**

(54) **BUCKLE FOR BAG**

(71) Applicant: **Woojin Plastic Co., Ltd.**, Gyeonggi-do (KR)

(72) Inventors: **Jisook Paik**, Seoul (KR); **Nan Hee Paik**, Seoul (KR); **Ji Hye Paik**, Seoul (KR); **Ji Won Son**, Seoul (KR)

(73) Assignee: **Woojin Plastic Co., Ltd.**, Gyeonggi-do (KR)

(**) Term: **14 Years**

(21) Appl. No.: **29/489,723**

(22) Filed: **May 2, 2014**

(30) **Foreign Application Priority Data**

Jan. 21, 2014 (KR) 30-2014-0003210

(51) **LOC (10) Cl.** **02-07**

(52) **U.S. Cl.**
USPC **D11/216**

(58) **Field of Classification Search**
CPC A44B 11/26
USPC D11/1-2, 200-201, 206-210, 214-218;
24/163 R, 169-171, 173, 177-179, 191,
24/194-195, 197, 200, 614-616, 625,
24/198; D8/349, 395

See application file for complete search history.

(56) **References Cited**

U.S. PATENT DOCUMENTS

D391,895 S *	3/1998	Anscher	D11/215
D568,783 S *	5/2008	Yang et al.	D11/216
D619,495 S *	7/2010	Herman	D11/215
D632,954 S *	2/2011	Fitzpatrick et al.	D8/395
D679,580 S *	4/2013	Fitzpatrick et al.	D8/395
D686,529 S *	7/2013	Paik et al.	D11/216
8,544,153 B2 *	10/2013	Mayberry et al.	24/2.5

* cited by examiner

Primary Examiner — Ralf Seifert

(74) *Attorney, Agent, or Firm* — Jordan and Hamburg LLP

(57) **CLAIM**

I claim, the ornamental design for a buckle for bag, as shown and described.

DESCRIPTION

FIG. 1 is a perspective view of a buckle for bag, showing my new design;
FIG. 2 is a front elevational view thereof;
FIG. 3 is a rear elevational view thereof;
FIG. 4 is a left side elevational view thereof;
FIG. 5 is a right side elevational view thereof;
FIG. 6 is a top plan view thereof;
FIG. 7 is a bottom plan view thereof; and,
FIG. 8 is an A-A sectional view thereof.

1 Claim, 3 Drawing Sheets

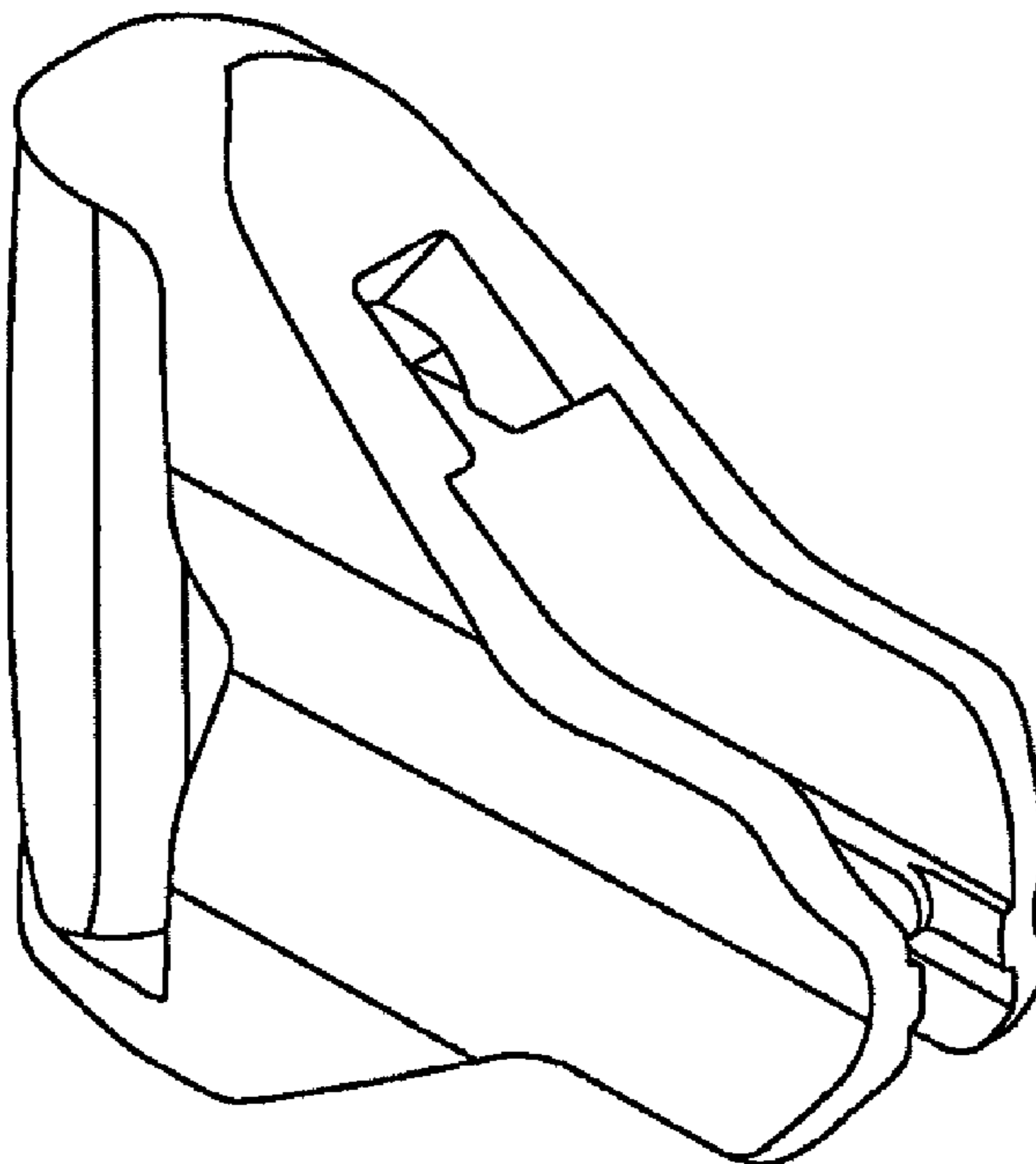


FIG.1

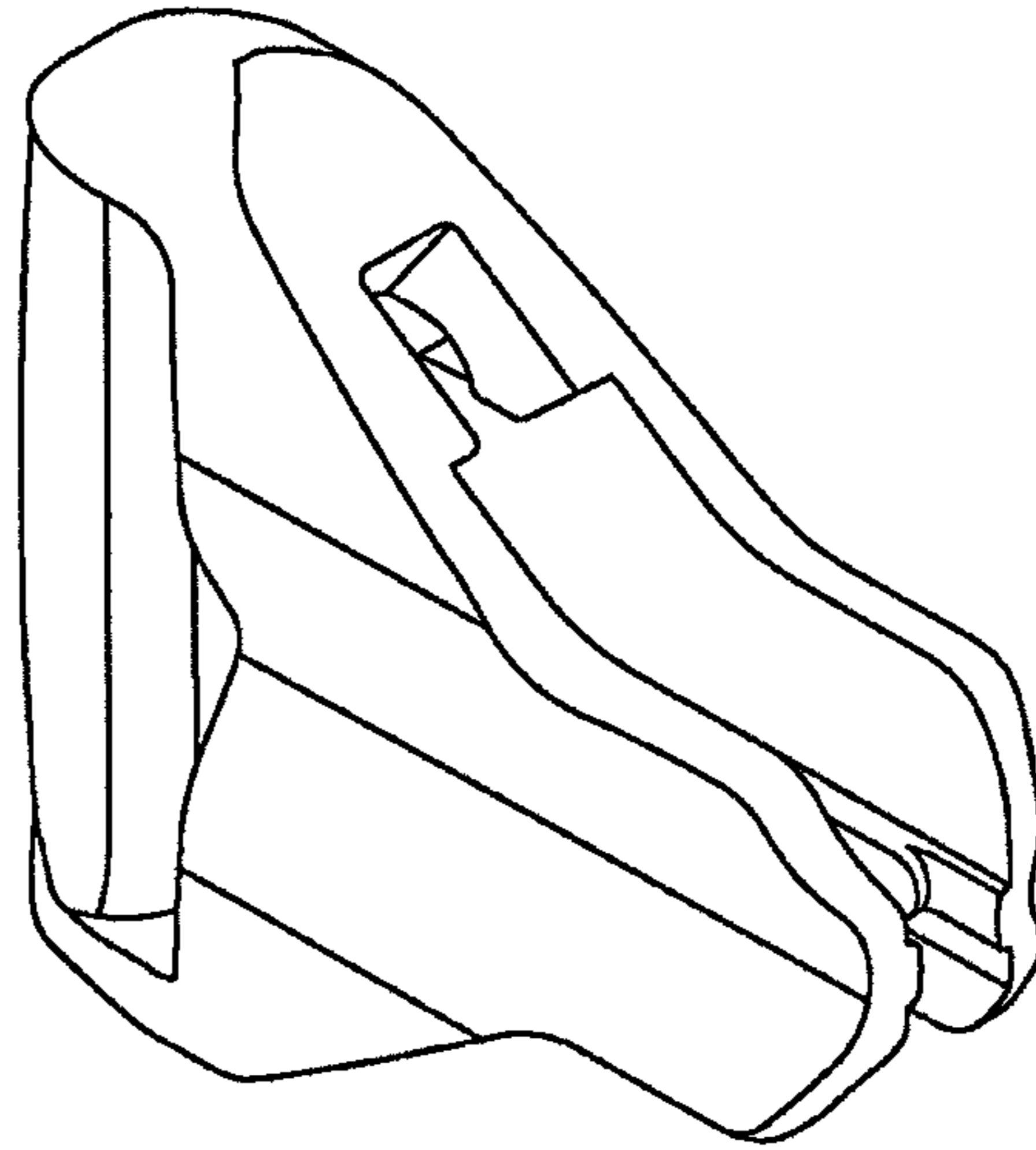


FIG.2

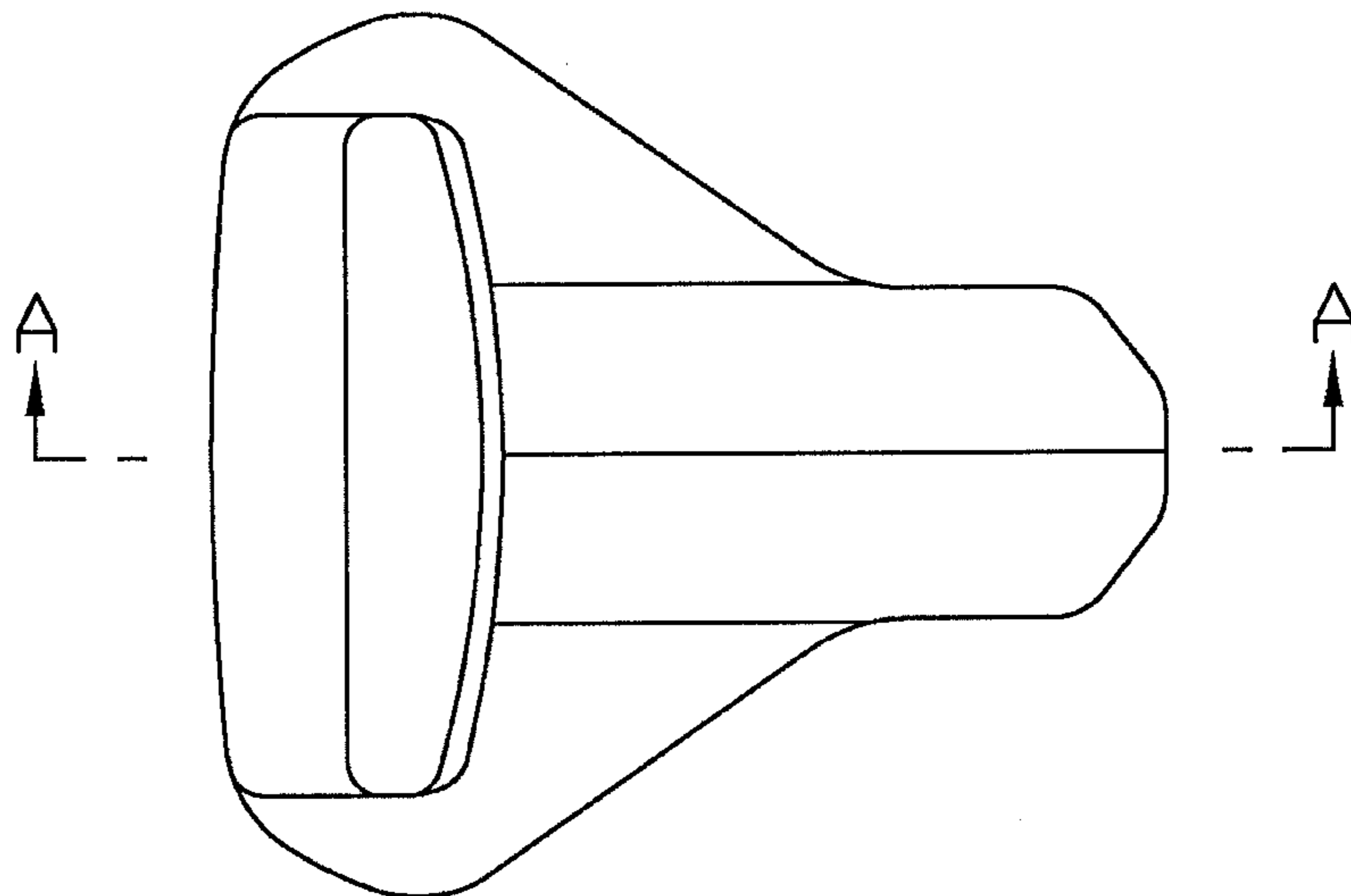


FIG.3

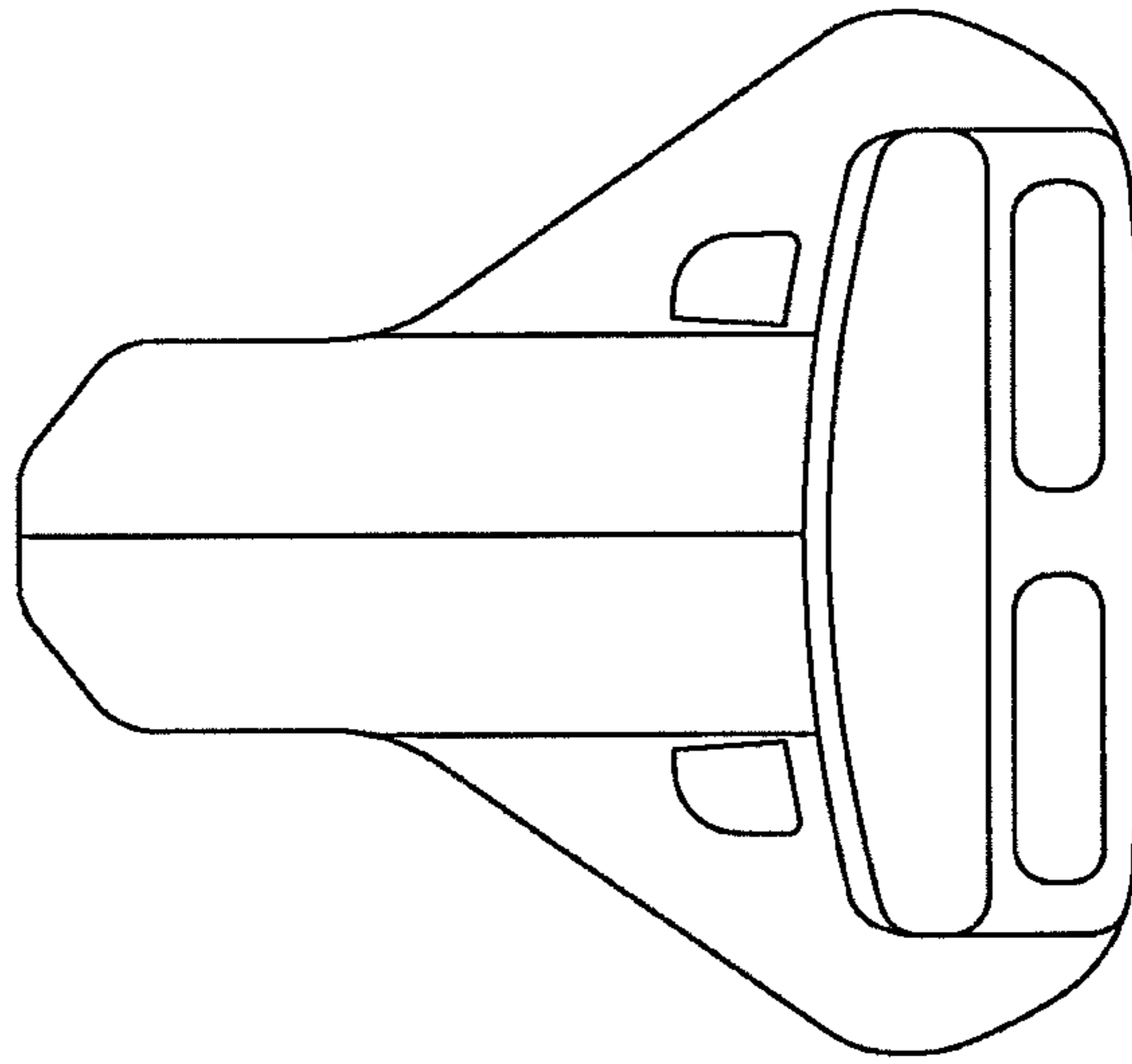


FIG.4

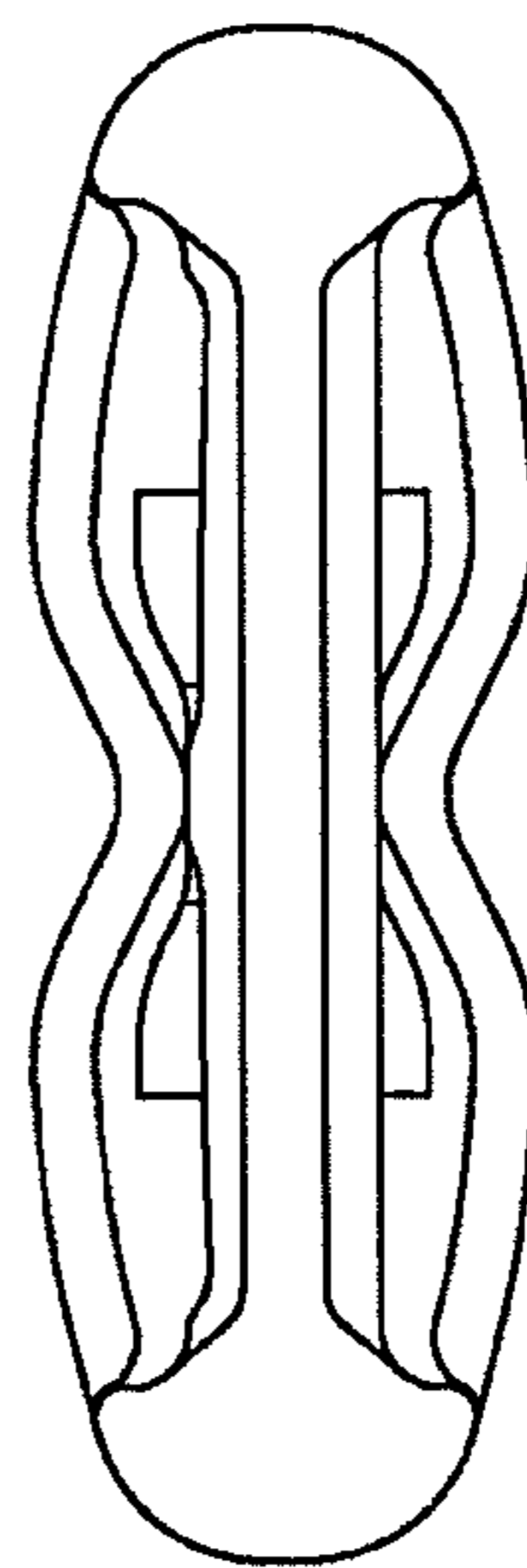


FIG.5

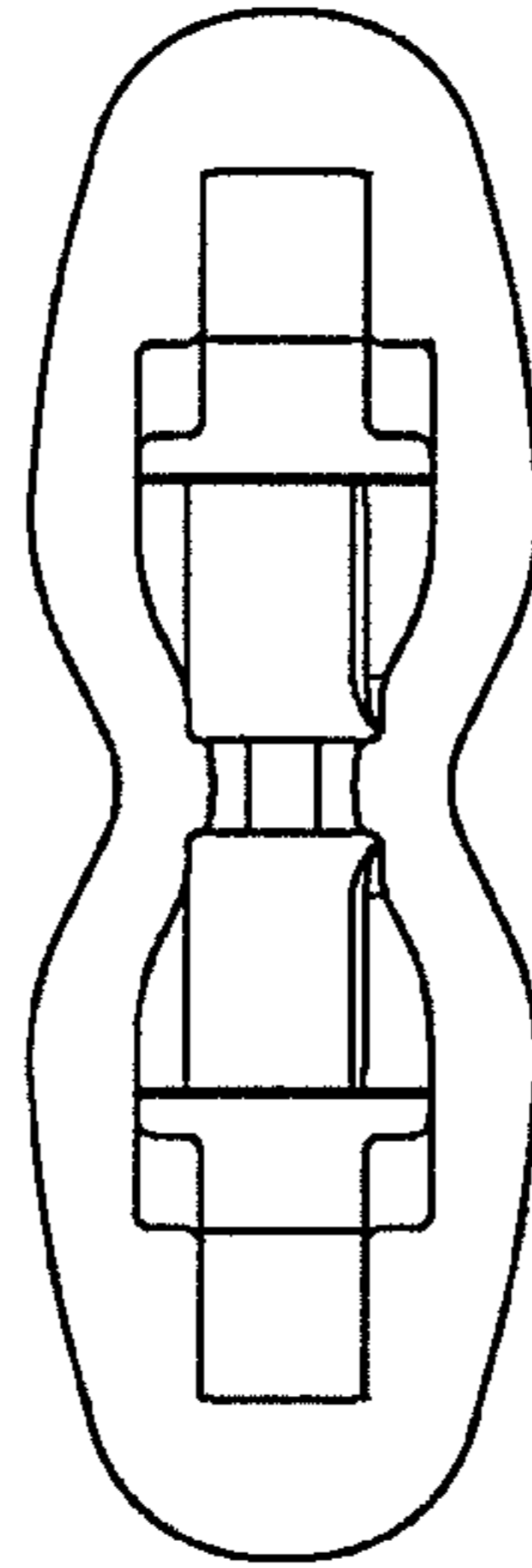


FIG.6

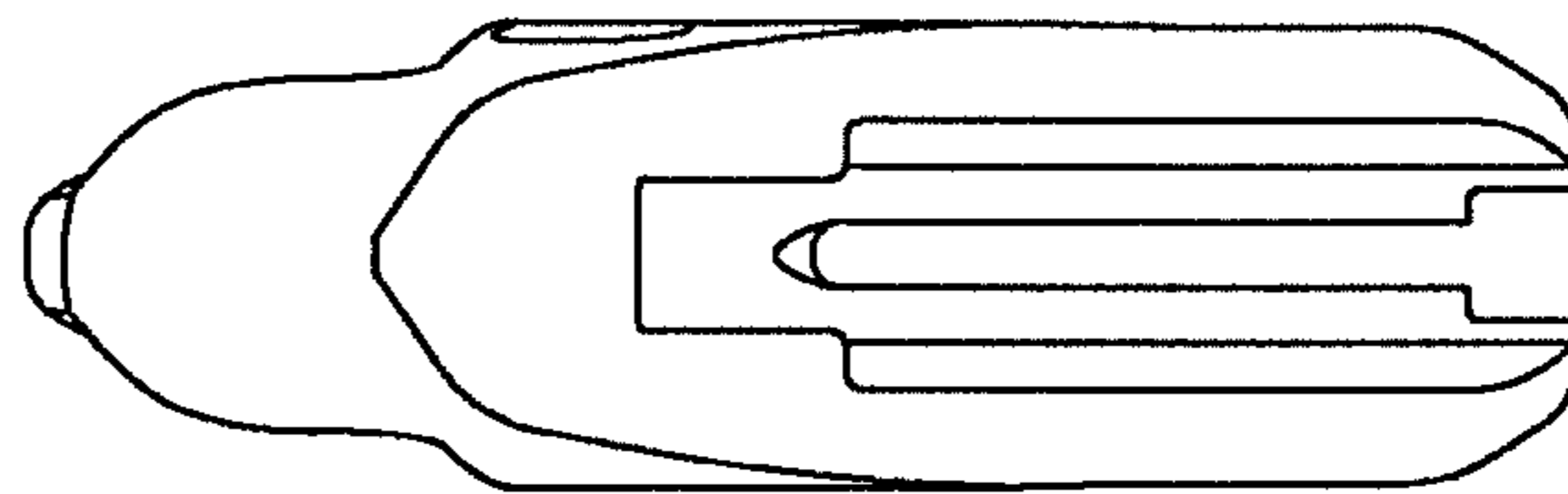


FIG.7

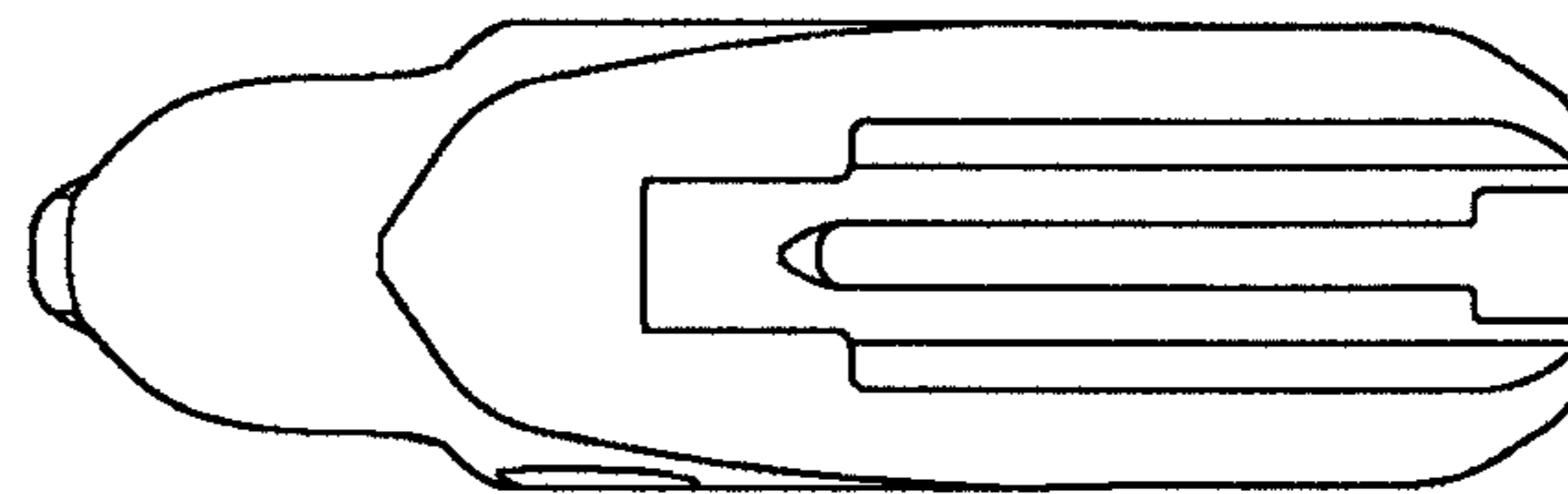


FIG.8

