



US00D724992S

(12) **United States Design Patent**
Bannaka et al.

(10) **Patent No.:** **US D724,992 S**
(45) **Date of Patent:** **** Mar. 24, 2015**

- (54) **COMPANY BADGE**
- (71) Applicant: **Aderans Company Limited**, Tokyo (JP)
- (72) Inventors: **Michinori Bannaka**, Chiba (JP);
Tomohide Kanbara, Kanagawa (JP)
- (73) Assignee: **Aderans Company Limited** (JP)
- (**) Term: **14 Years**
- (21) Appl. No.: **29/485,609**
- (22) Filed: **Mar. 20, 2014**
- (30) **Foreign Application Priority Data**

Feb. 6, 2014 (JP) 2014-002451

- (51) **LOC (10) Cl.** **11-03**
- (52) **U.S. Cl.**
USPC **D11/95**
- (58) **Field of Classification Search**
USPC D11/1, 30, 40, 47, 56, 200–231,
D11/95–116; 24/94, 104–110, 598.1,
24/113 MP; 63/20, 12, 13; D8/305, 356;
362/103; D2/976; D21/759; D29/122;
2/244; 446/98; 40/1.5; 36/106, 136;
428/57

See application file for complete search history.

(56) **References Cited**

U.S. PATENT DOCUMENTS

2,713,707	A *	7/1955	Libby	24/110
3,028,646	A *	4/1962	Janes	24/94
3,528,079	A *	9/1970	Birch	446/98
D266,319	S *	9/1982	Picheria	D11/56
D269,768	S *	7/1983	Terry	D11/47
4,604,819	A *	8/1986	Grey	40/1.5
D304,316	S *	10/1989	Perricelli et al.	D11/99
4,959,890	A *	10/1990	Pazurek	24/113 MP
D326,434	S *	5/1992	Levy	D11/222
D327,863	S *	7/1992	Rudd et al.	D11/107
D328,264	S *	7/1992	Kuhnke	D11/101
5,136,726	A *	8/1992	Kellin et al.	2/244

D337,255	S *	7/1993	Novelli, Sr.	D8/356
D339,312	S *	9/1993	Barnett	D11/110
D344,252	S *	2/1994	Choi	D11/222
D354,720	S *	1/1995	Estes	D11/222
D376,306	S *	12/1996	Kirschner	D8/305
5,673,501	A *	10/1997	Mathews	36/136
D392,592	S *	3/1998	Majid, Jr.	D11/99
D449,015	S *	10/2001	Dror	D11/222
D449,564	S *	10/2001	Platt	D11/222
D554,847	S *	11/2007	Schmelzer et al.	D2/976
D571,426	S *	6/2008	Chen et al.	D21/759
D592,097	S *	5/2009	Androuais	D11/222
7,698,836	B2 *	4/2010	Schmelzer et al.	36/136
D625,052	S *	10/2010	Mastoras et al.	D29/122
D625,659	S *	10/2010	Sawyer	D11/222
D631,242	S *	1/2011	Sirdofsky et al.	D2/976
D640,158	S *	6/2011	Siedler et al.	D11/40
D641,278	S *	7/2011	Siedler et al.	D11/40
D643,766	S *	8/2011	Siedler et al.	D11/1

(Continued)

Primary Examiner — T. Chase Nelson

Assistant Examiner — Mark Cavanna

(74) *Attorney, Agent, or Firm* — Saidman DesignLaw Group, LLC

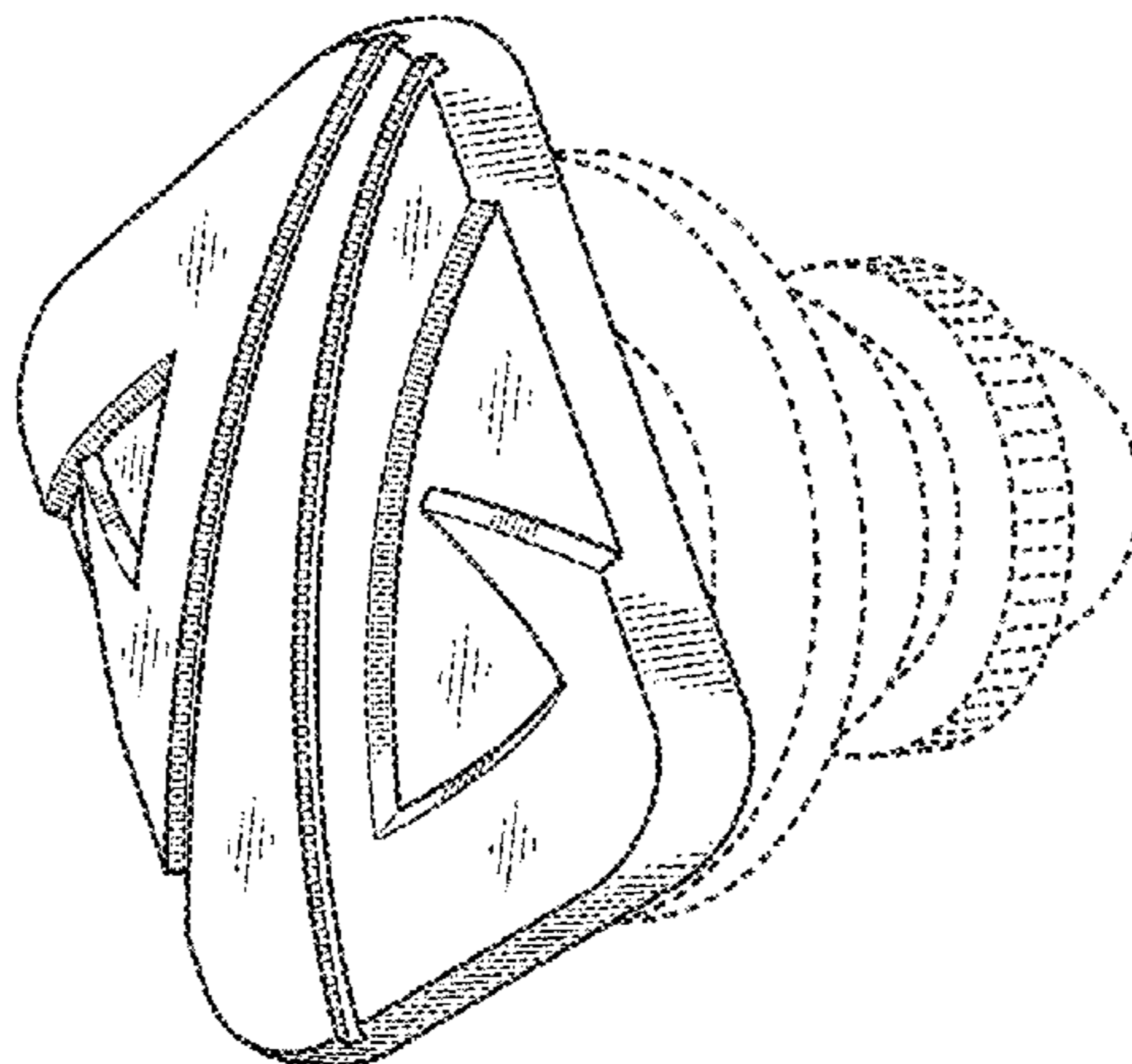
(57) **CLAIM**

The ornamental design for a company badge, as shown and described.

DESCRIPTION

FIG. 1 is a perspective view of a company badge showing our new design;
 FIG. 2 is a front view thereof;
 FIG. 3 is a rear view thereof;
 FIG. 4 is a left side view thereof;
 FIG. 5 is a right side view thereof;
 FIG. 6 is a top plan view thereof;
 FIG. 7 is a bottom plan view thereof; and,
 FIG. 8 is another perspective view thereof, wherein the body of the badge and the attachment base is separated.
 The broken lines shown in the drawings are for purpose of illustrating portions of the company badge that form no part of the claimed design.

1 Claim, 4 Drawing Sheets



US D724,992 S

Page 2

(56)

References Cited

U.S. PATENT DOCUMENTS

8,069,538	B2 *	12/2011	Wilcox	24/109	2006/0007668	A1 *	1/2006	Chien	362/103
8,617,683	B2 *	12/2013	Johnson	428/57	2008/0060110	A1 *	3/2008	Schmelzer et al.	24/598.1
8,806,783	B2 *	8/2014	Chase et al.	36/136	2012/0240623	A1 *	9/2012	Morse	63/13

* cited by examiner

Fig. 1

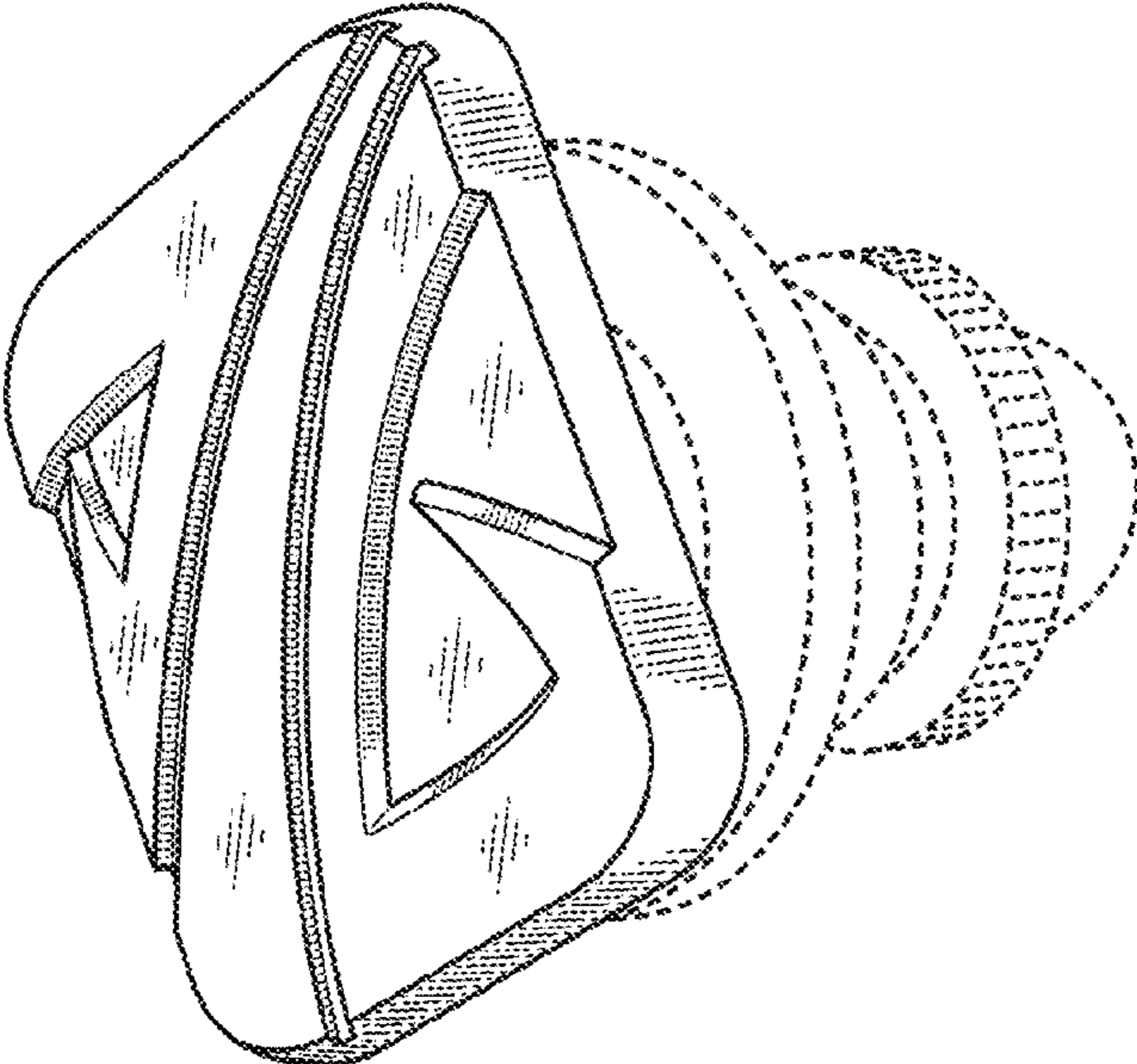


Fig. 2

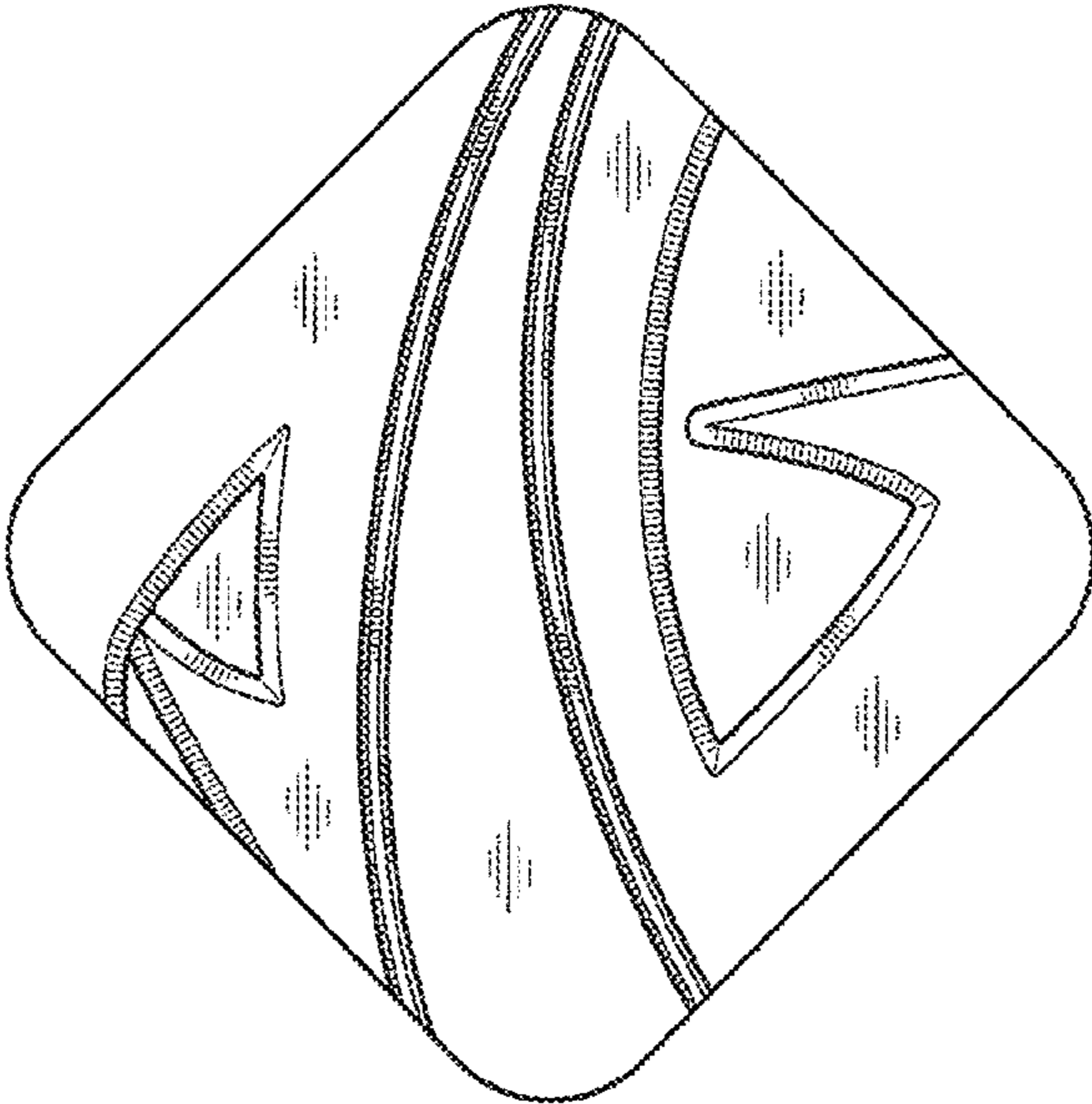


Fig. 3

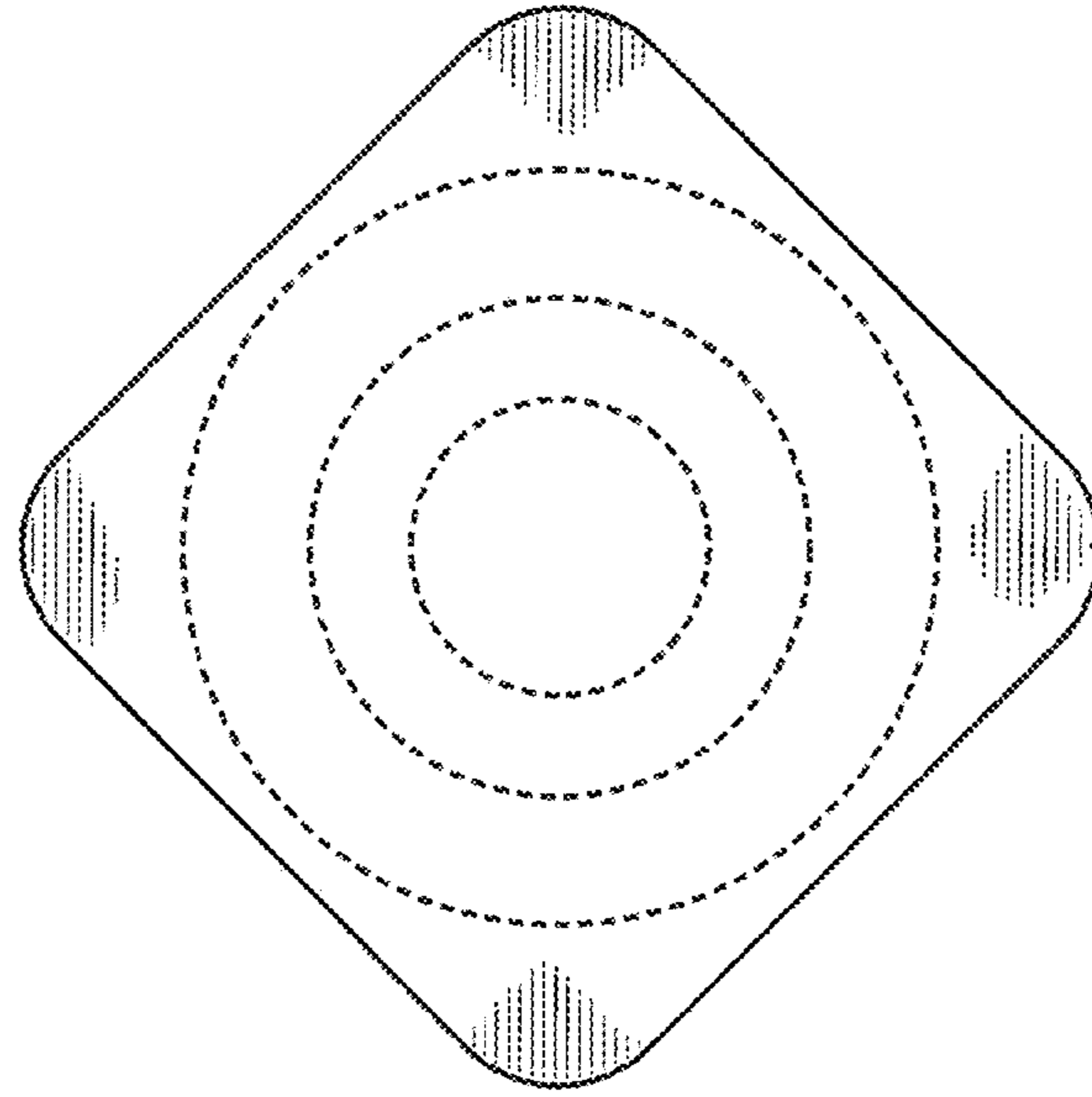


Fig. 4

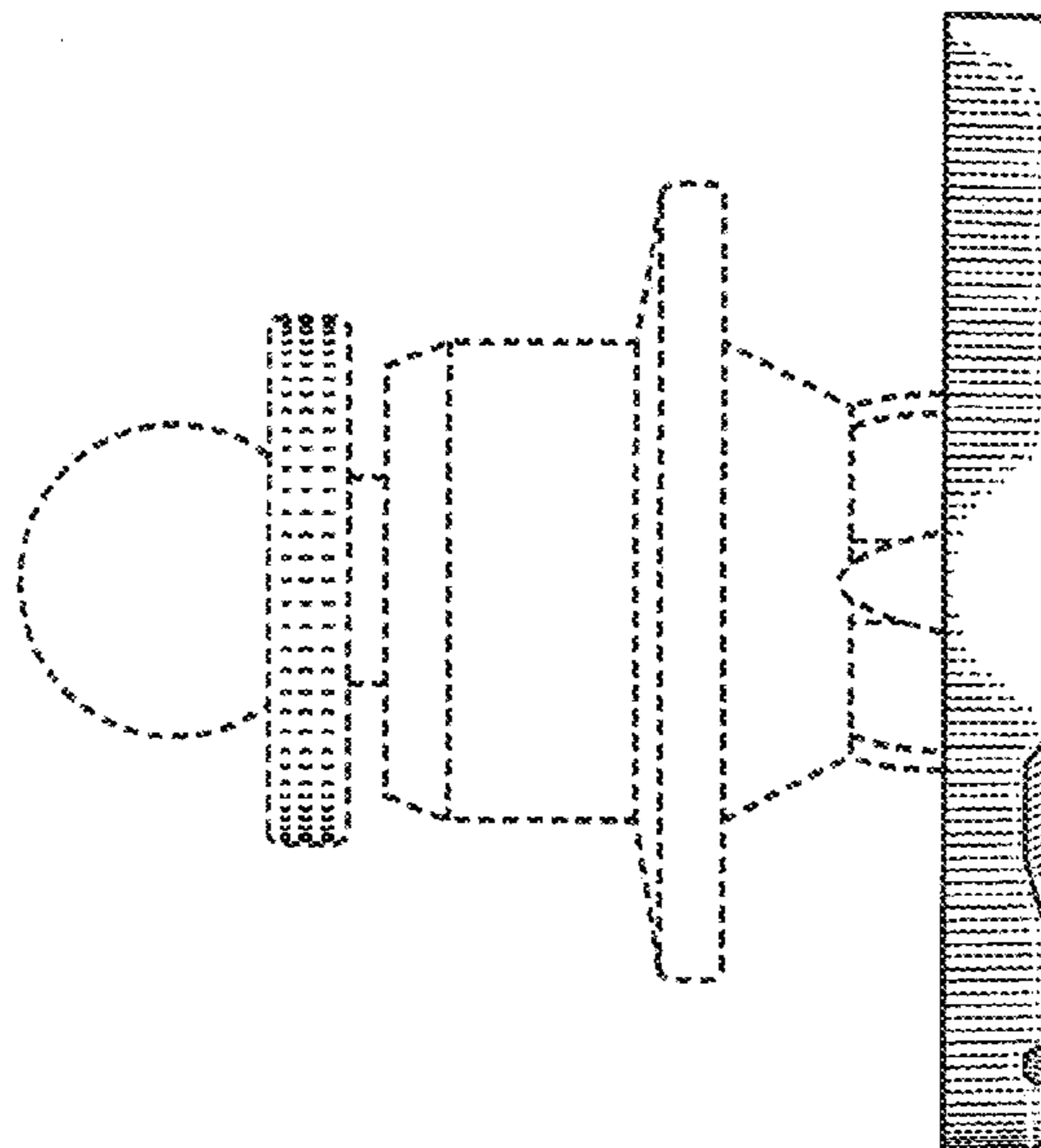


Fig. 5

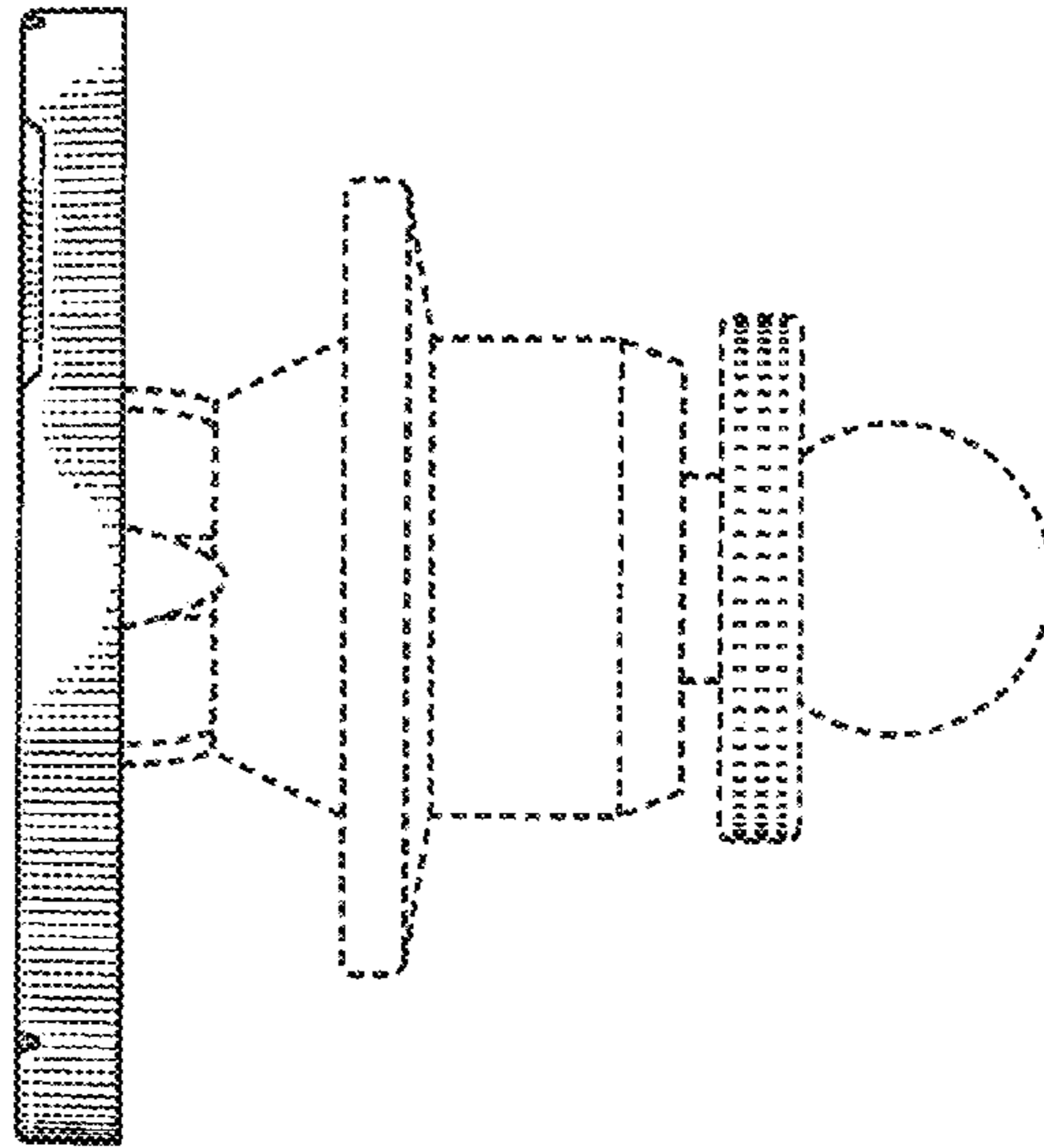


Fig. 6

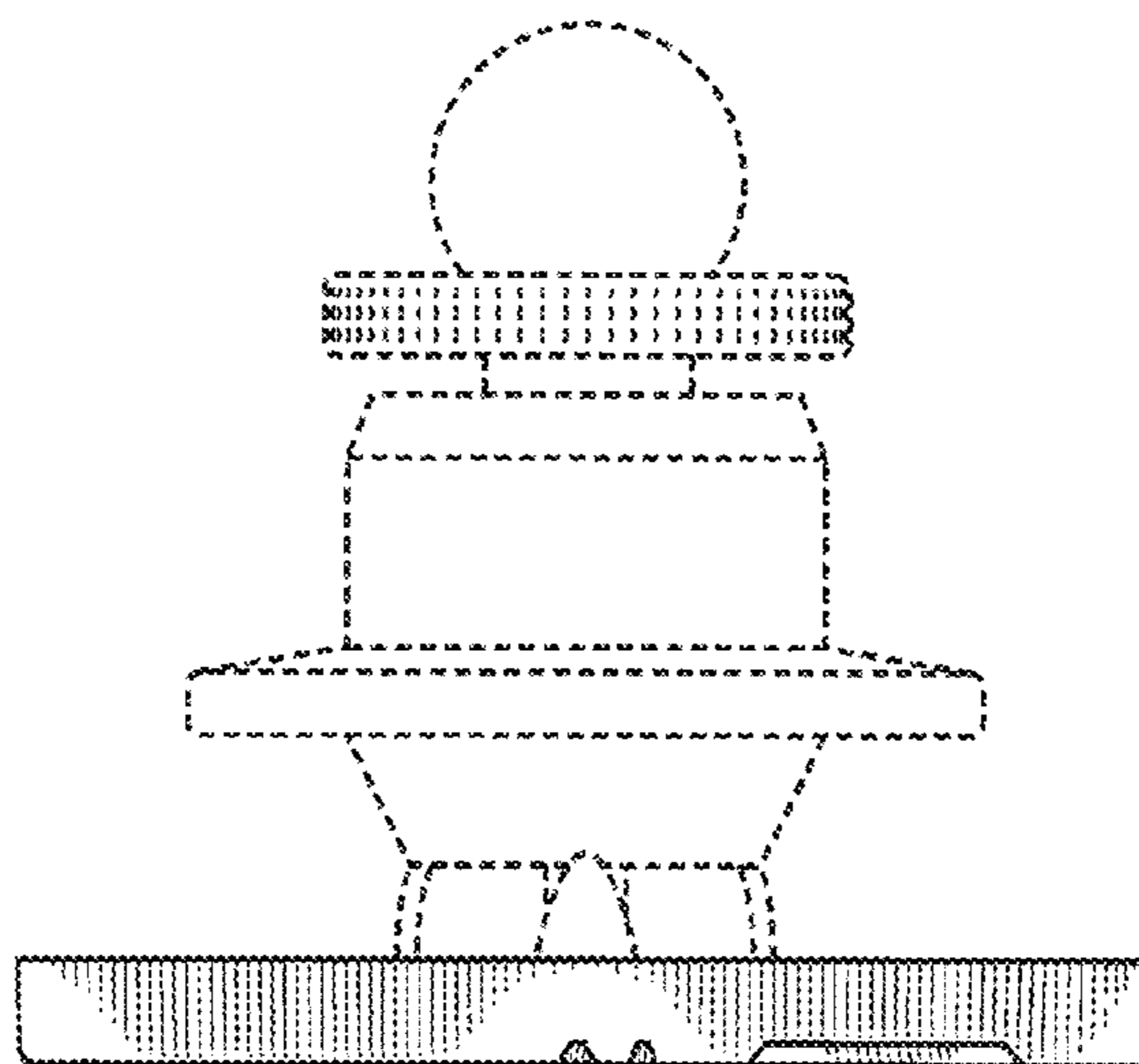


Fig. 7

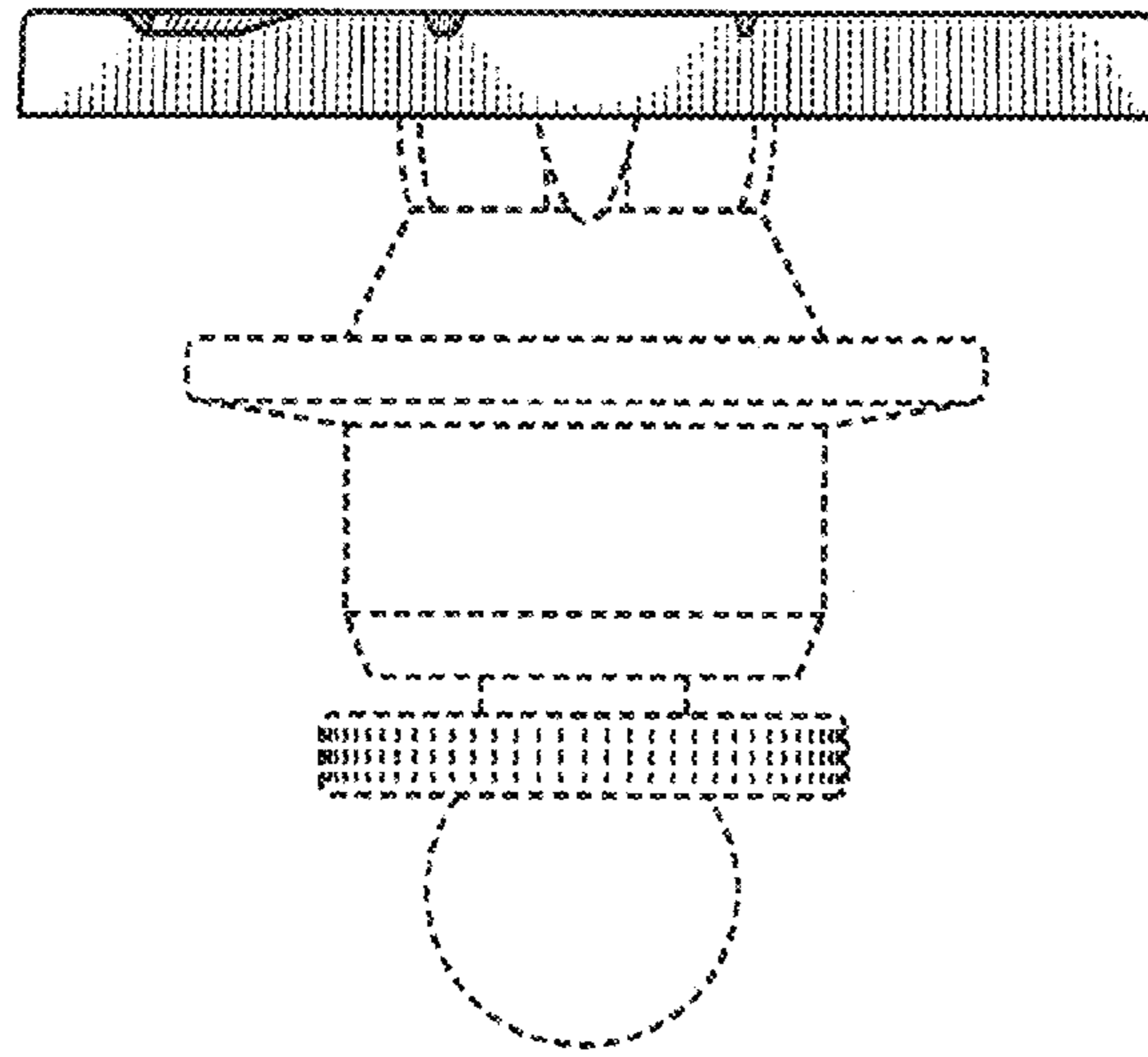


Fig. 8

