



US00D724990S

(12) **United States Design Patent**  
**Litwin**

(10) **Patent No.:** **US D724,990 S**  
(45) **Date of Patent:** **\*\* Mar. 24, 2015**

(54) **INTERCHANGEABLE JEWELRY ARTICLE**

(71) Applicant: **Andrew A Litwin**, Columbia, SC (US)

(72) Inventor: **Andrew A Litwin**, Columbia, SC (US)

(\*\*) Term: **14 Years**

(21) Appl. No.: **29/496,242**

(22) Filed: **Jul. 10, 2014**

(51) **LOC (10) Cl.** ..... **11-01**

(52) **U.S. Cl.**  
USPC ..... **D11/81; D11/70**

(58) **Field of Classification Search**  
USPC ..... D11/1, 2, 7, 8, 70, 56, 79-86, 96, 108;  
63/1.11, 1.15, 18-20, 12, 13, 23, 35,  
63/40; D99/25

See application file for complete search history.

(56) **References Cited**

**U.S. PATENT DOCUMENTS**

D44,913 S *	11/1913	Buckle .....	D11/108
D59,211 S *	10/1921	Goldstein .....	D11/81
D59,240 S *	10/1921	Lieberfreund .....	D11/81
D65,677 S *	9/1924	Stern .....	D11/81
D160,642 S *	10/1950	Mantzowitz .....	D11/108
D233,682 S *	11/1974	Bernstein .....	D11/86
D234,776 S *	4/1975	Moskowitz .....	D11/96
D243,934 S *	4/1977	Rimberg .....	D11/70
D243,935 S *	4/1977	Rimberg .....	D11/70
D247,193 S *	2/1978	Maxwell .....	D26/116
D252,743 S *	8/1979	Jaramillo .....	D11/70
D299,579 S *	1/1989	Jones .....	D99/27
D313,371 S *	1/1991	Shideler .....	D11/73
D367,436 S *	2/1996	Bloch et al. ....	D11/108
D569,300 S *	5/2008	Glinberg .....	D11/96
D635,485 S *	4/2011	Schanzer .....	D11/81

**OTHER PUBLICATIONS**

[Online] [http://i.ebayimg.com/00/s/NzE0WdczNw==/\\$KGrHqR,!rIE+8cTtSiEBQSDN\(bQlg~~60\\_35.JPG](http://i.ebayimg.com/00/s/NzE0WdczNw==/$KGrHqR,!rIE+8cTtSiEBQSDN(bQlg~~60_35.JPG). Retrieved Oct. 25, 2014.\*

[Online] [http://i.tfcfn.com/img2/kb4bgk0AY9lycWDKSi1PzSmqjE\\_MS4kvTyxJzkgZsgoKSmw0tfPzE031CsyNNDLzNcP8HTWN7lwNjIxtjTSN9A31DcyNYAL6GUVpAMA/fvUG-v8A.B](http://i.tfcfn.com/img2/kb4bgk0AY9lycWDKSi1PzSmqjE_MS4kvTyxJzkgZsgoKSmw0tfPzE031CsyNNDLzNcP8HTWN7lwNjIxtjTSN9A31DcyNYAL6GUVpAMA/fvUG-v8A.B). Retrieved Oct. 25, 2014.\*

\* cited by examiner

*Primary Examiner* — Garth Rademaker

*Assistant Examiner* — Melanie Pellegrini

(74) *Attorney, Agent, or Firm* — Todd Allen Serrin; Nachmias, Morris & Alt, P.C.

(57) **CLAIM**

The ornamental design for an interchangeable jewelry article, as shown and described.

**DESCRIPTION**

This application is related to a design application filed on the same date, entitled Interchangeable Lamed Bet Jewelry Bracket, and with Ser. No. 29/496,232.

FIG. 1 is an exploded front perspective view of an interchangeable jewelry article showing my new design;

FIG. 2 is a front view thereof;

FIG. 3 is a top view thereof;

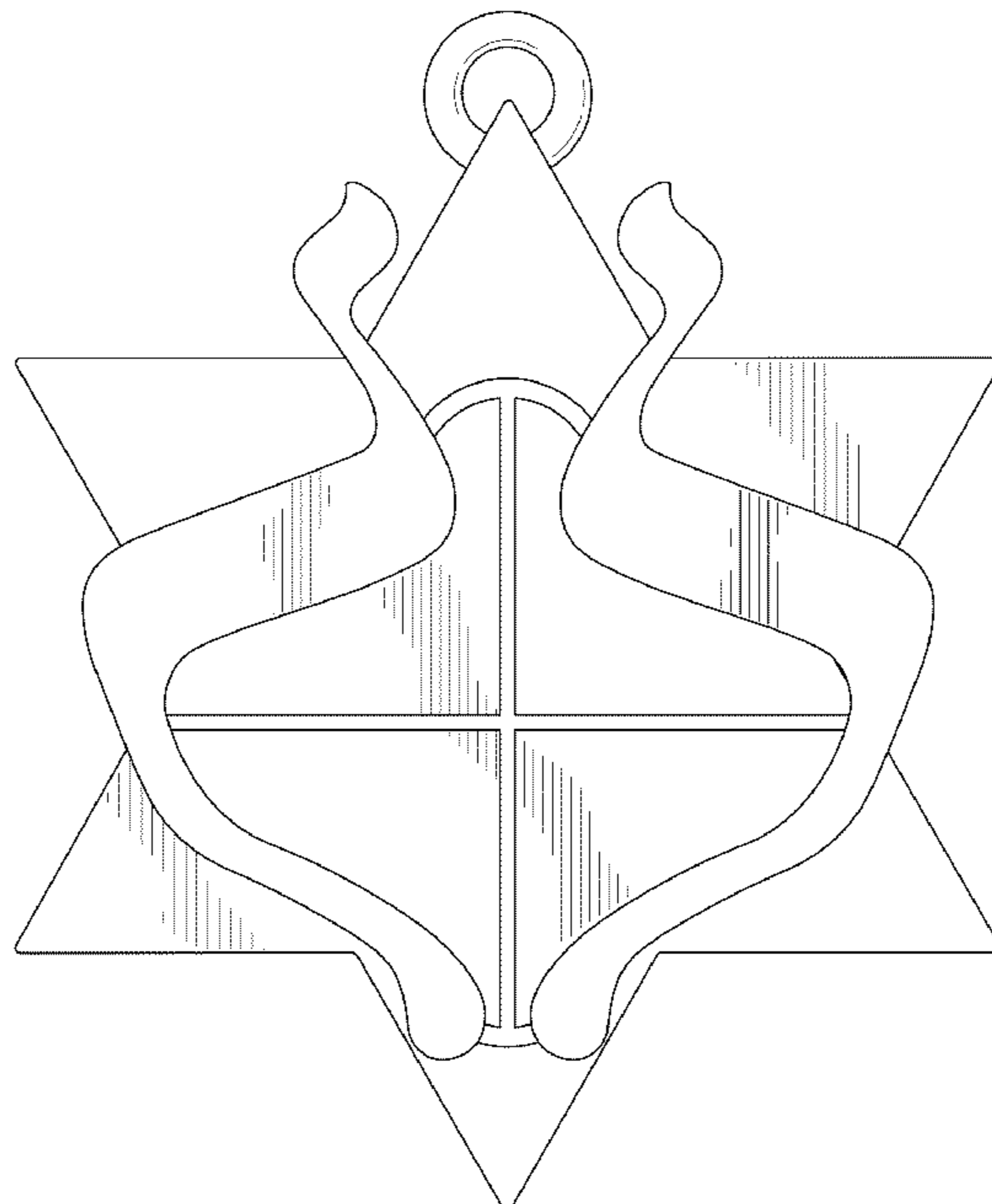
FIG. 4 is a bottom view thereof;

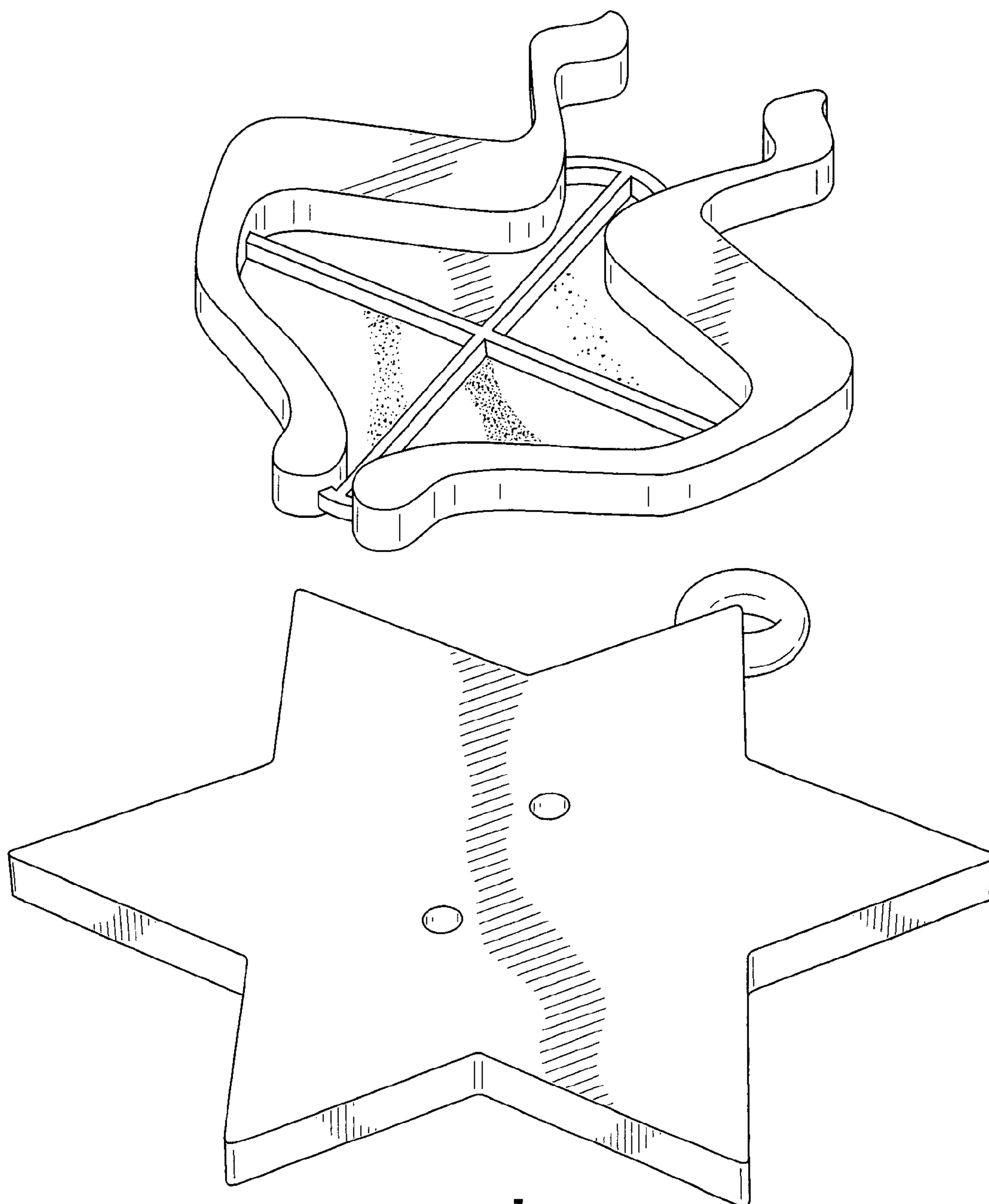
FIG. 5 is a right side view thereof;

FIG. 6 is a left side view thereof; and,

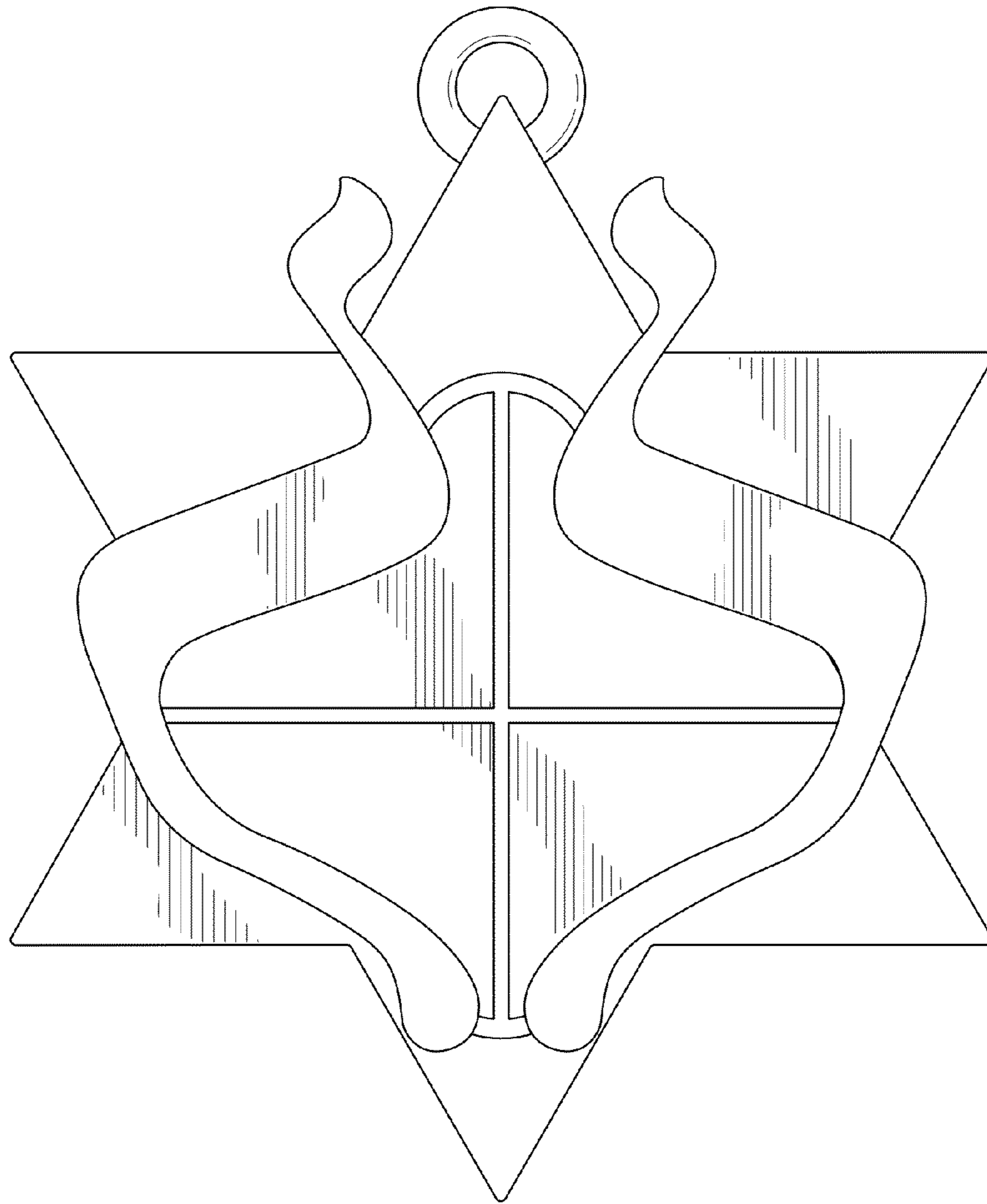
FIG. 7 is an exploded rear perspective view thereof.

**1 Claim, 5 Drawing Sheets**

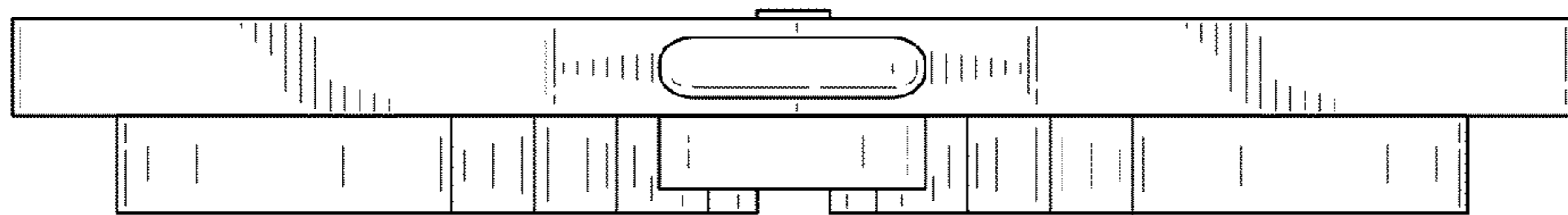




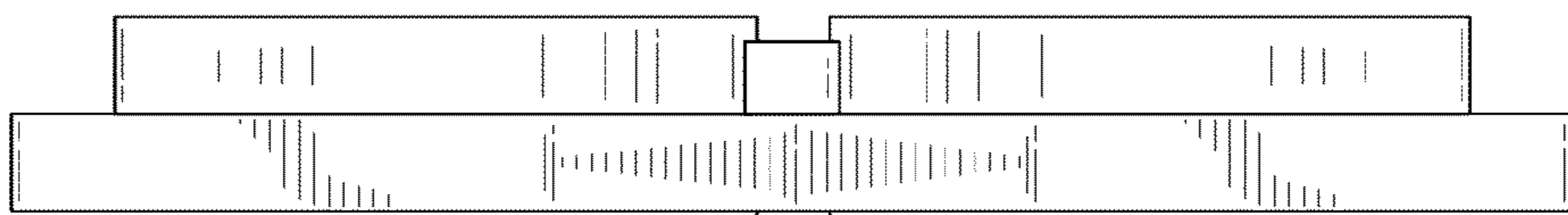
**FIG. 1**



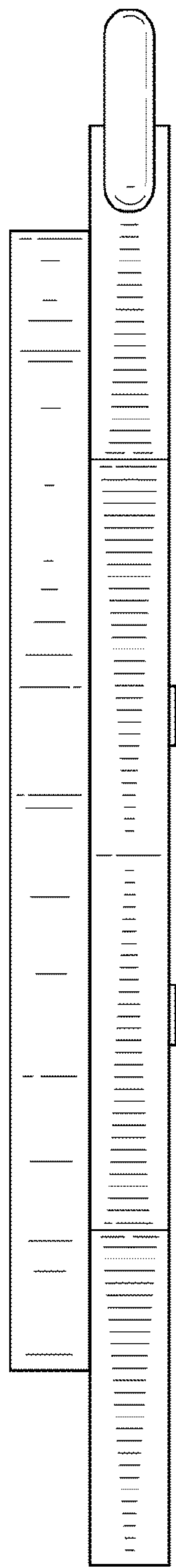
**FIG. 2**



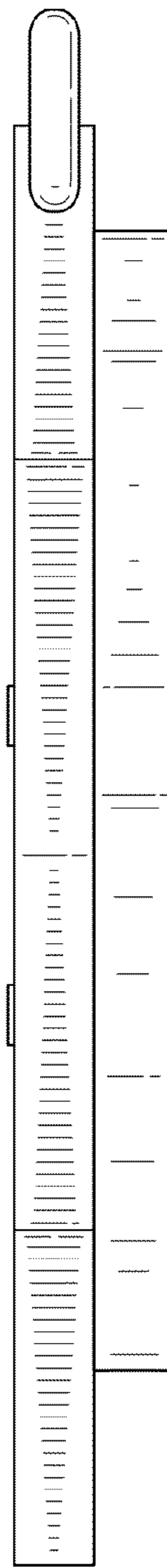
**FIG. 3**



**FIG. 4**



**FIG. 5**



**FIG. 6**

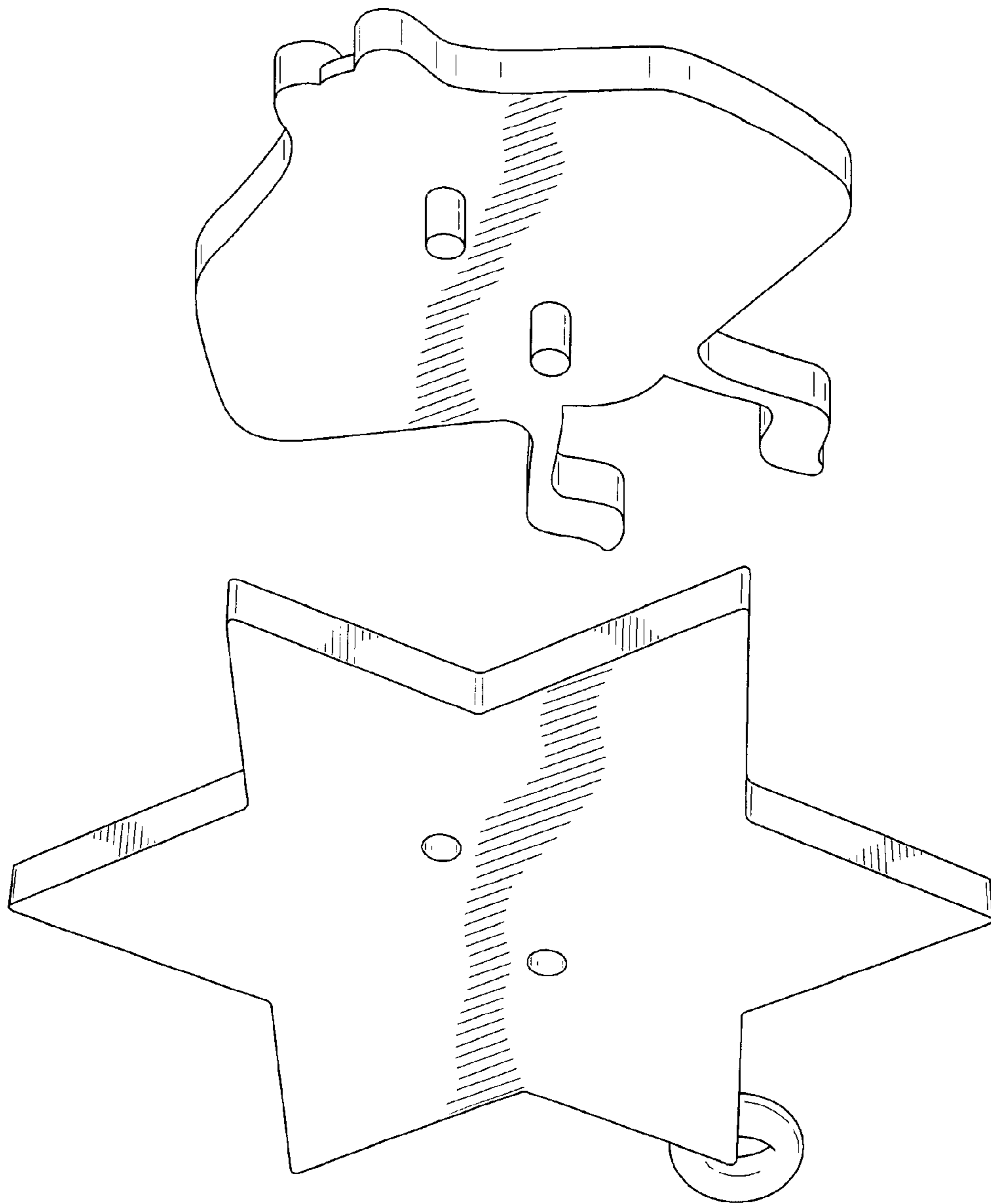


FIG. 7