



US00D724988S

(12) **United States Design Patent**
Fillon

(10) **Patent No.:** **US D724,988 S**
(45) **Date of Patent:** **** Mar. 24, 2015**

- (54) **RING**
- (71) Applicant: **Cartier Creation Studio S.A.**, Geneva (CH)
- (72) Inventor: **Arnaud Fillon**, Paris (FR)
- (73) Assignee: **Cartier Creation Studio S.A.**, Geneva (CH)
- (**) Term: **14 Years**
- (21) Appl. No.: **29/488,037**
- (22) Filed: **Apr. 15, 2014**

D612,284 S *	3/2010	Iacomucci	D11/31
D640,949 S *	7/2011	Iacomucci	D11/31
D671,857 S *	12/2012	Rabassa	D10/126
D680,024 S *	4/2013	Le Bail	D11/49
D692,343 S *	10/2013	Hardy	D11/82

OTHER PUBLICATIONS

[Online] <http://www.cartier.us/collections/jewelry/collections/panthere-de-cartier/panthere-de-cartier-rings/n4193100-panthere-ring>. Retrieved Jul. 8, 2014.*

[Online] <http://www.cartier.us/collections/jewelry/collections/panthere-de-cartier/panthere-de-cartier-rings/b4074100-panthere-ring>. Retrieved Jul. 8, 2014.*

* cited by examiner

Primary Examiner — Garth Rademaker
Assistant Examiner — Melanie Pellegrini
 (74) *Attorney, Agent, or Firm* — Vorys, Sater, Seymour and Pease LLP; William L. Klima

- (30) **Foreign Application Priority Data**
- Oct. 16, 2013 (EM) 002327692
- (51) **LOC (10) Cl.** **11-01**
- (52) **U.S. Cl.**
- USPC **D11/31**
- (58) **Field of Classification Search**
- USPC D11/1-39, 82, 100, 134; 63/1.11, 3, 63/3.1, 15, 15.1-15.4, 15.45, 15.5, 15.6, 63/15.65, 15.7; D21/618
- See application file for complete search history.

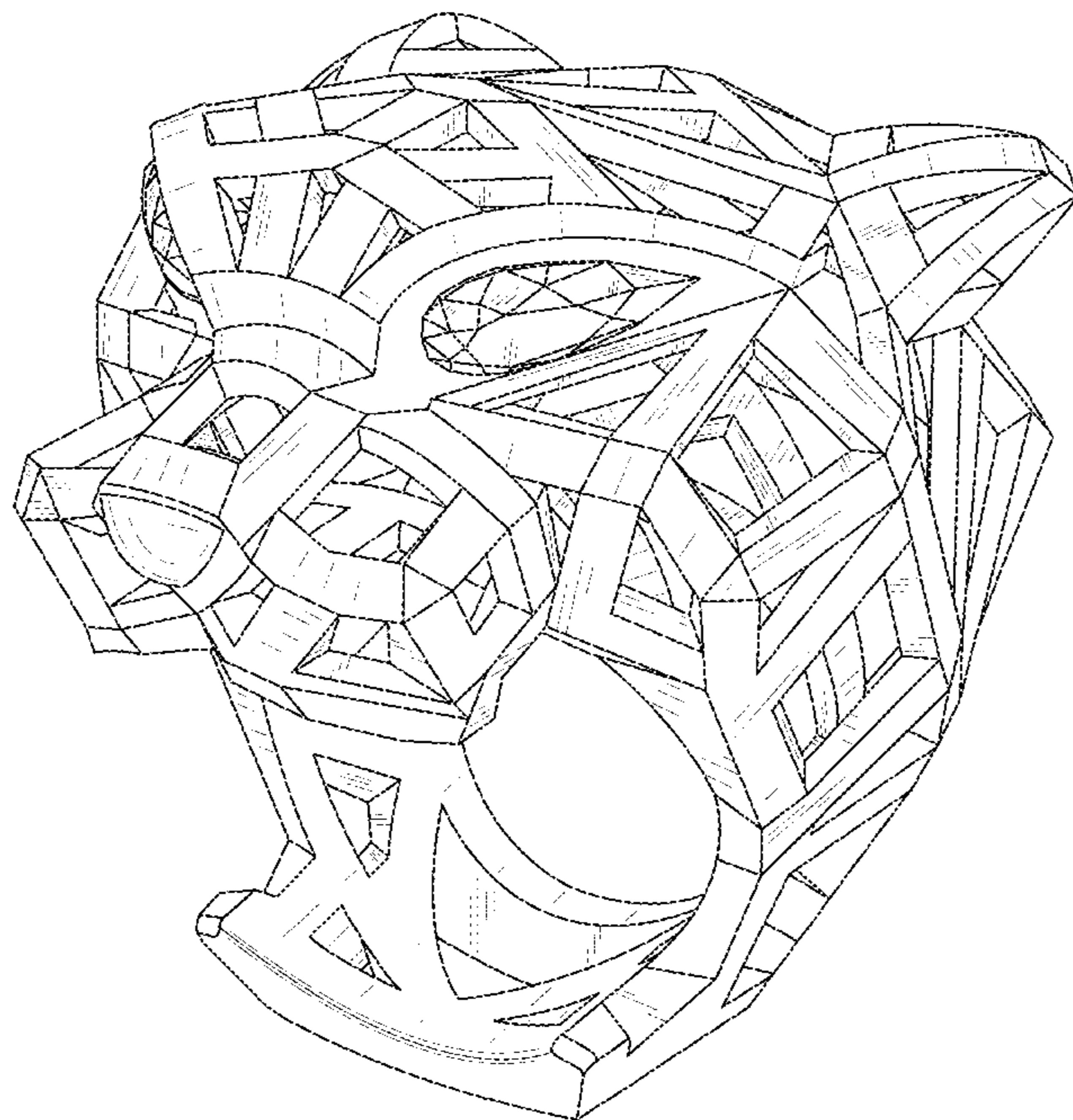
(57) **CLAIM**
 The ornamental design for a ring, as shown and described.

DESCRIPTION

FIG. 1 is a front perspective view for a ring;
 FIG. 2 is a front elevational view thereof;
 FIG. 3 is a rear elevational view thereof;
 FIG. 4 is a right-side view thereof view;
 FIG. 5 is a left-side view thereof;
 FIG. 6 is a top planar view thereof; and,
 FIG. 7 is a bottom planar view thereof.

1 Claim, 7 Drawing Sheets

- (56) **References Cited**
- U.S. PATENT DOCUMENTS**
- D36,582 S * 10/1903 Welch D11/52
- D251,715 S * 5/1979 Fishman D11/52
- D475,944 S * 6/2003 Jordan D11/82
- D476,255 S * 6/2003 Jordan D11/82
- D536,633 S * 2/2007 Arlanda D11/30
- D612,282 S * 3/2010 Iacomucci D11/4



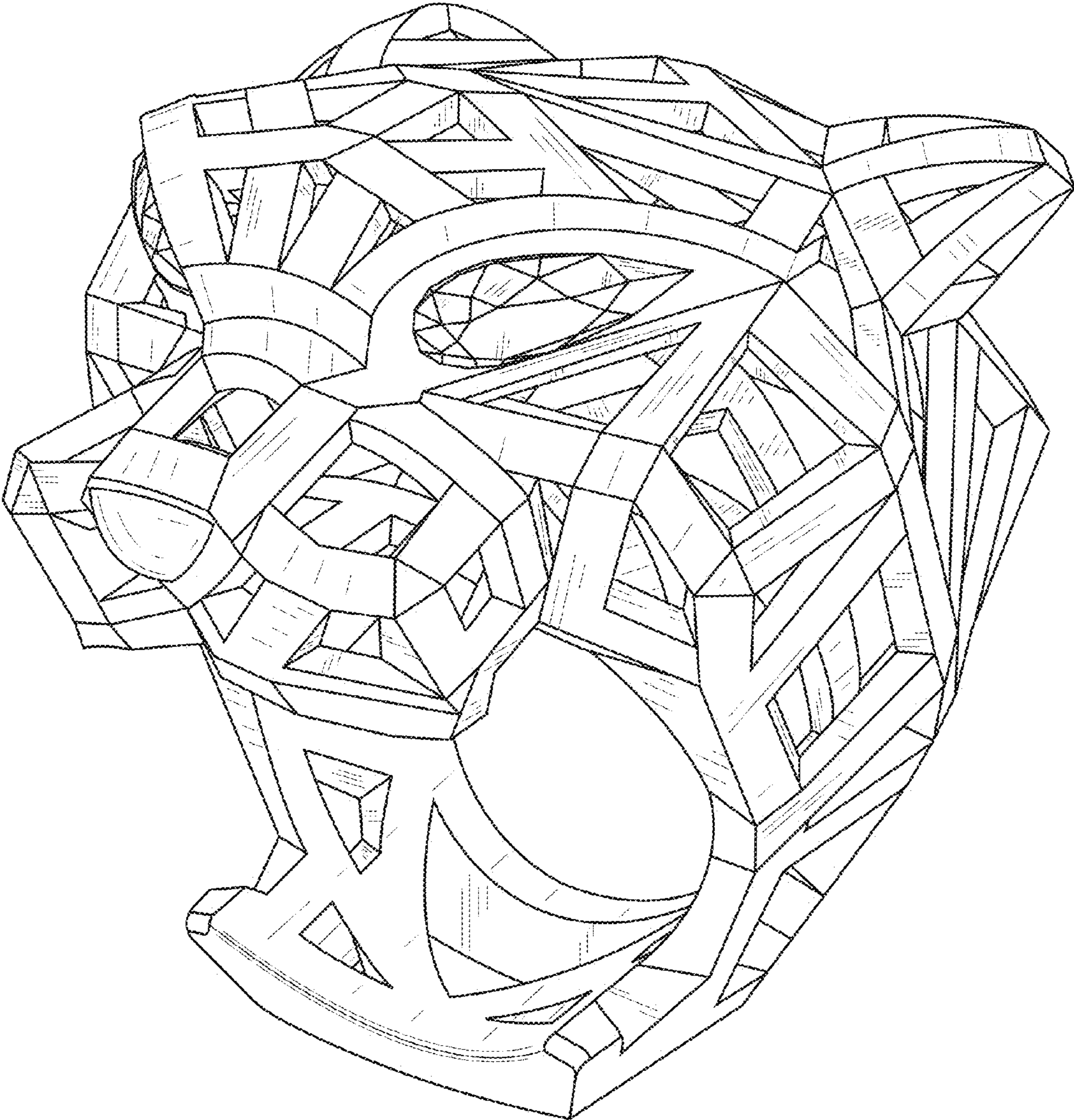


FIG. 1

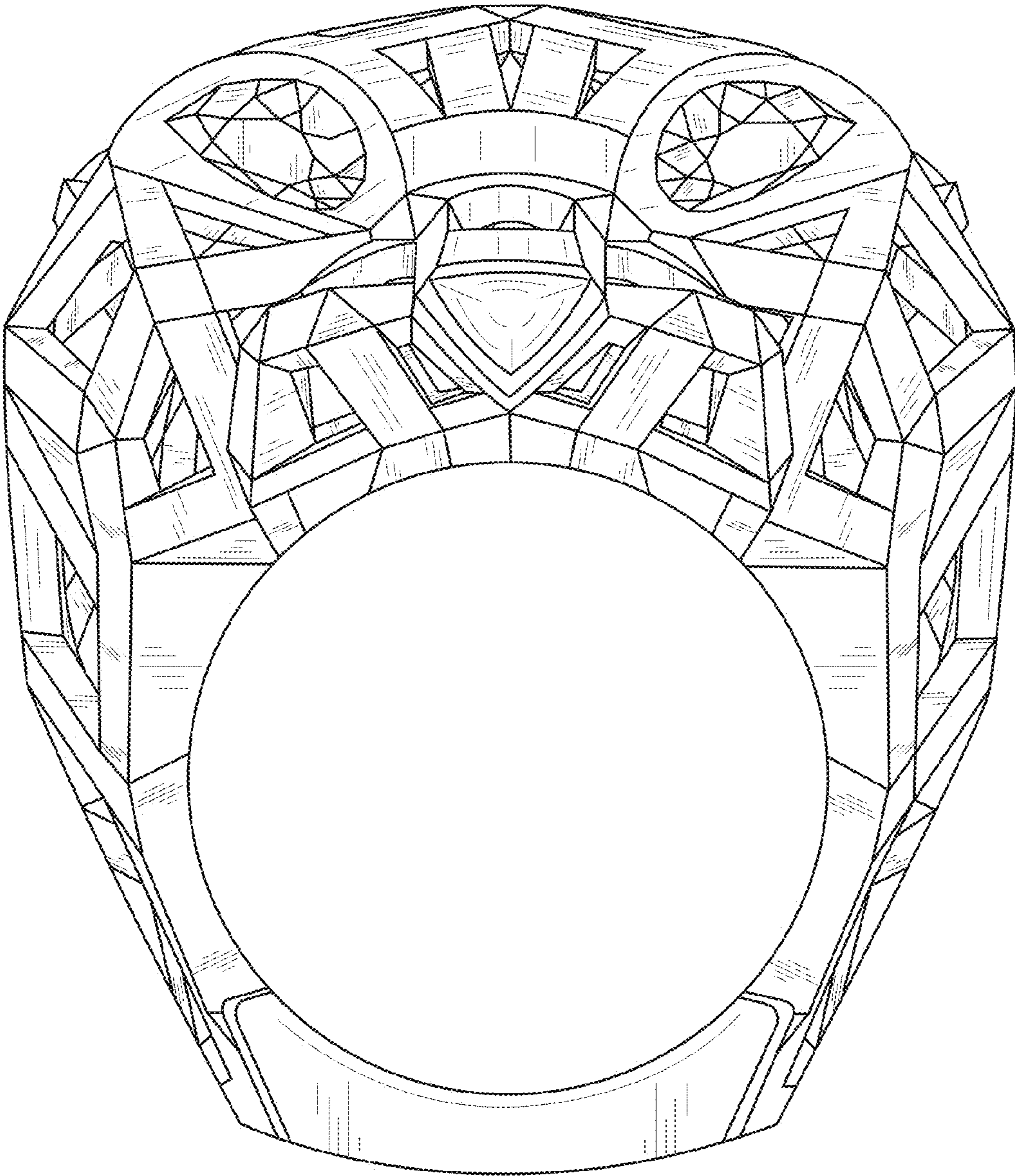


FIG. 2

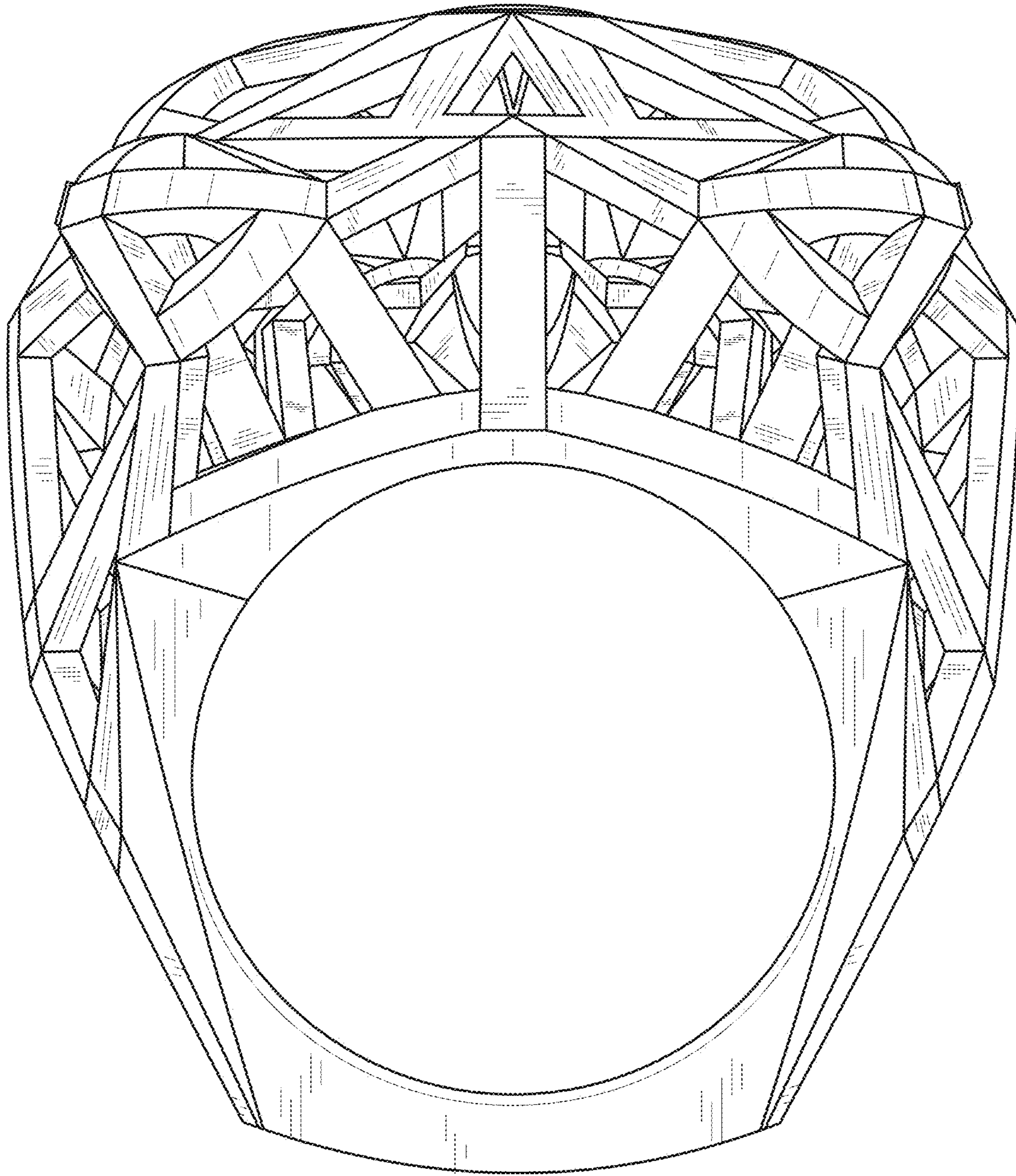


FIG. 3

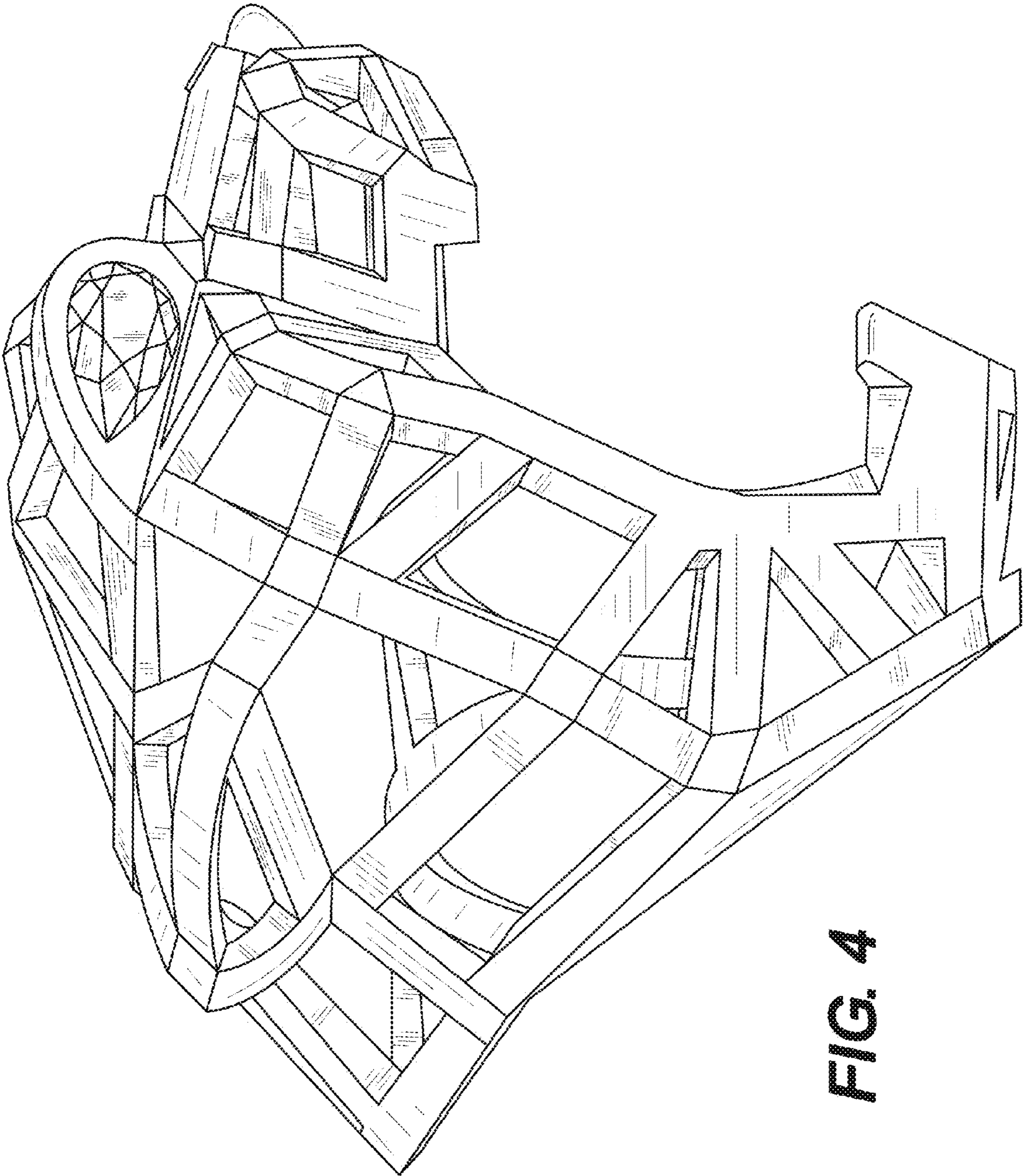


FIG. 4

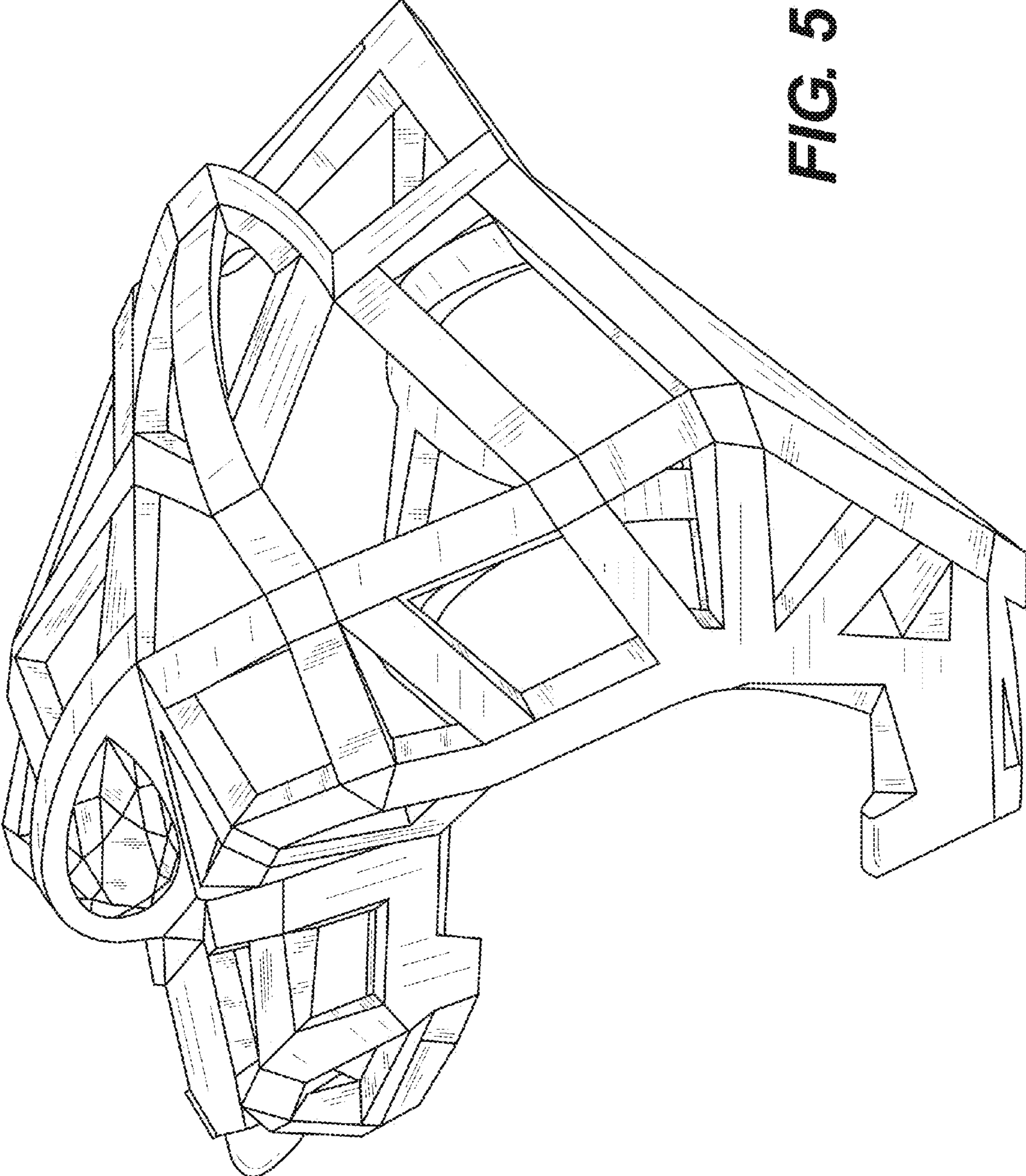


FIG. 5

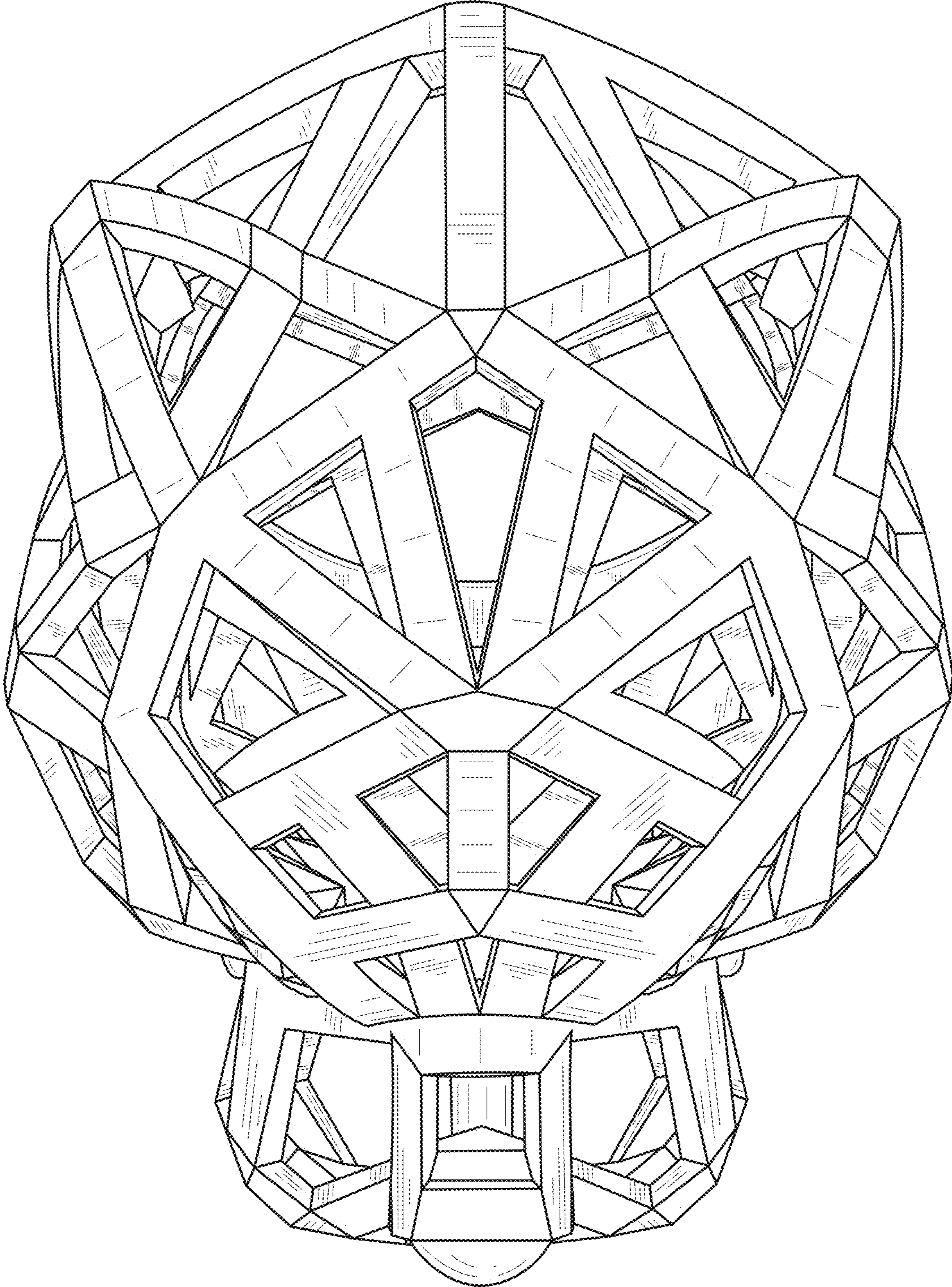


FIG. 6

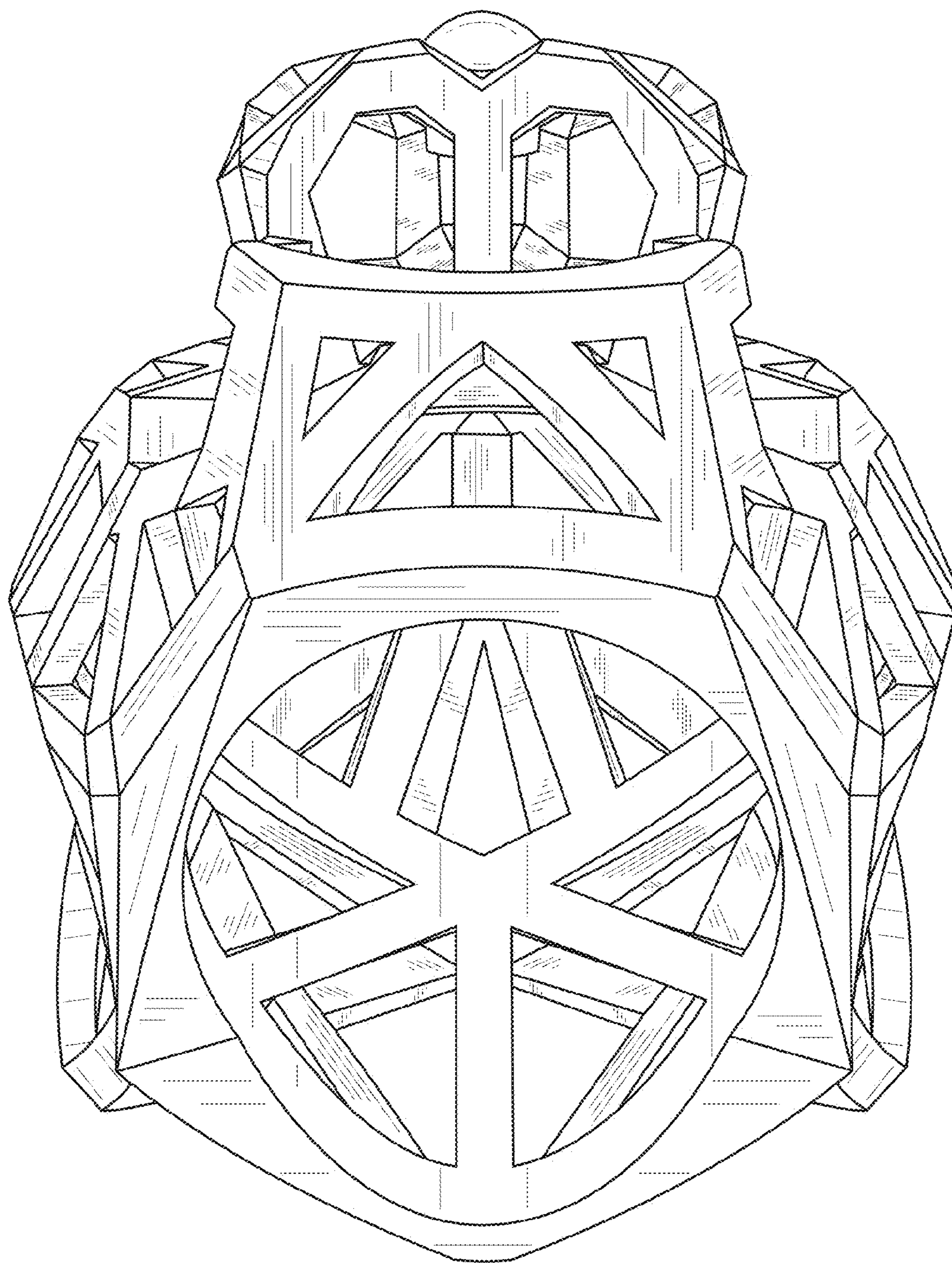


FIG. 7