



US00D724983S

(12) **United States Design Patent**  
**Yin**

(10) **Patent No.:** **US D724,983 S**  
(45) **Date of Patent:** **\*\* Mar. 24, 2015**

(54) **FLUID LEVEL SENSOR**

(71) Applicant: **Le-Jun Yin**, Glenelg, MD (US)

(72) Inventor: **Le-Jun Yin**, Glenelg, MD (US)

(73) Assignee: **Coleman Laboratories**, Glenelg, MD (US)

(\*\*) Term: **14 Years**

(21) Appl. No.: **29/511,410**

(22) Filed: **Dec. 10, 2014**

(51) **LOC (10) Cl.** ..... **10-04**

(52) **U.S. Cl.**  
USPC ..... **D10/101**

(58) **Field of Classification Search**  
USPC ..... **D10/96, 101**

See application file for complete search history.

(56) **References Cited**

U.S. PATENT DOCUMENTS

5,861,811 A \* 1/1999 Lease et al. .... 340/618  
5,943,908 A \* 8/1999 Innes et al. .... 73/290 R

\* cited by examiner

*Primary Examiner* — Antoine D Davis

(57) **CLAIM**

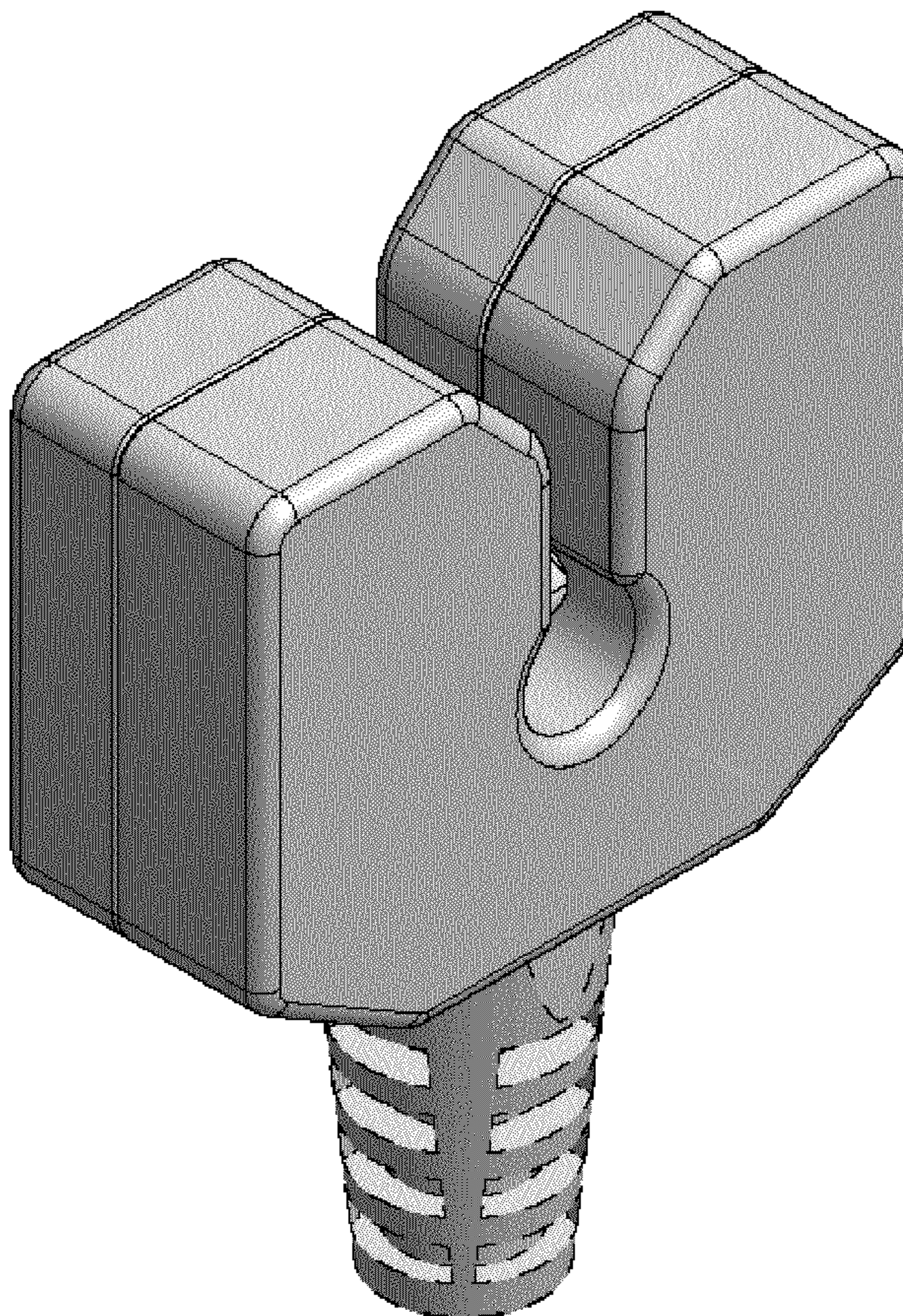
The ornamental design for a fluid level sensor, as shown and described.

**DESCRIPTION**

FIG. 1 is a perspective view of a fluid level sensor, showing our new design;  
FIG. 2 is a front view thereof;  
FIG. 3 is a rear view thereof;  
FIG. 4 is a top view thereof;  
FIG. 5 is a bottom thereof;  
FIG. 6 is a left side view thereof; and,  
FIG. 7 is a right side view thereof.

Broken line areas in the figures form no part of the claimed design and are for illustrative purposes only.

**1 Claim, 7 Drawing Sheets**



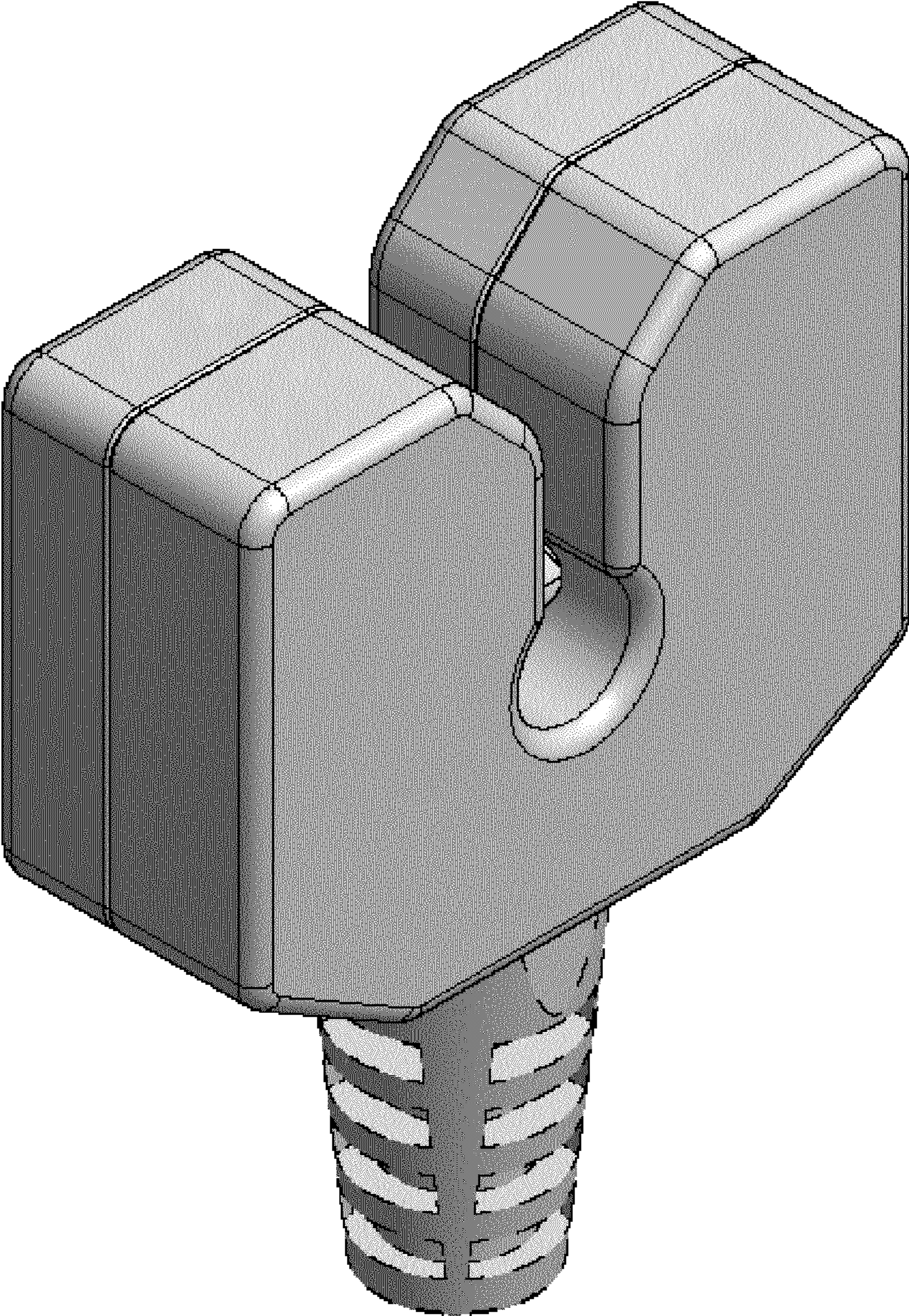


FIG. 1

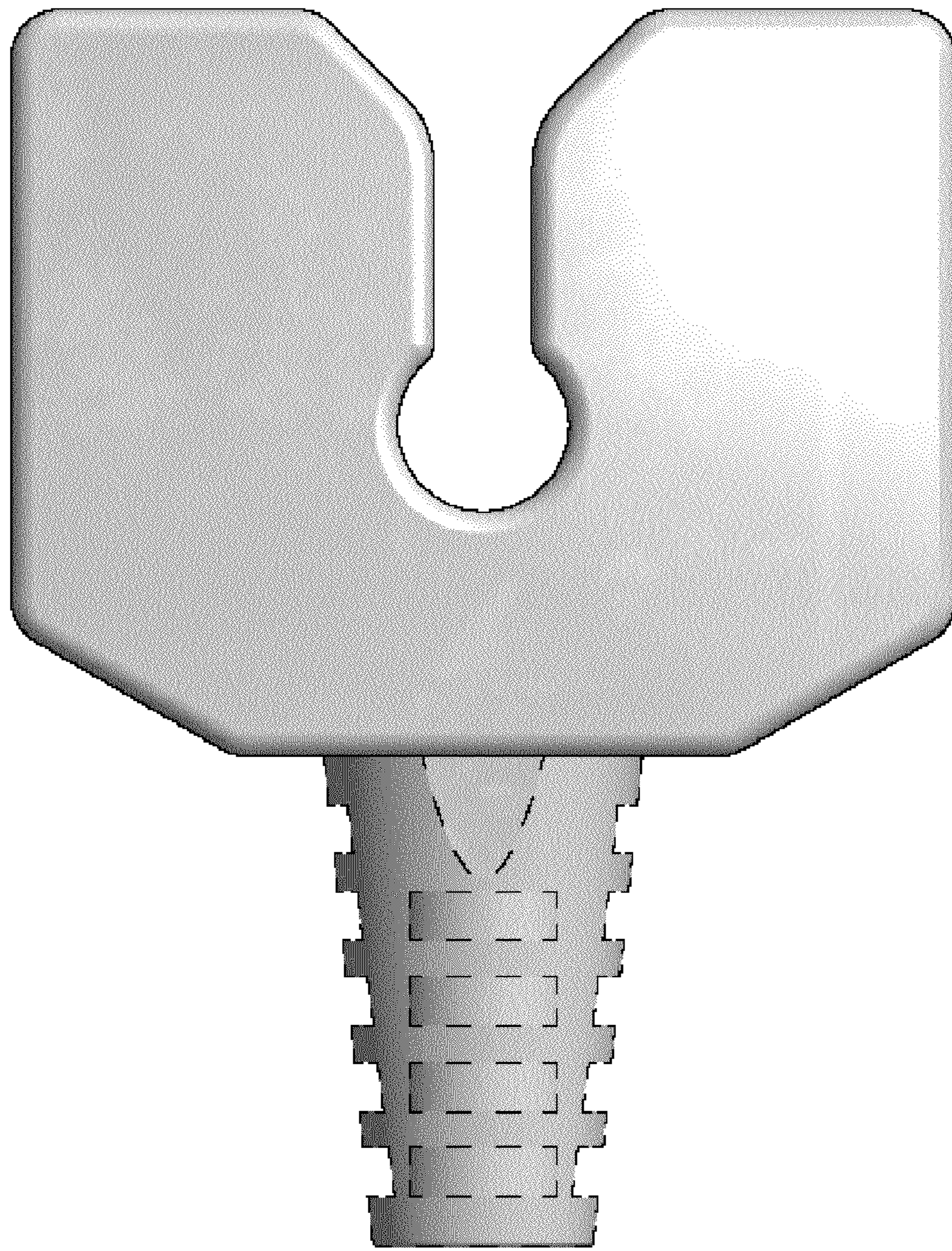


FIG. 2

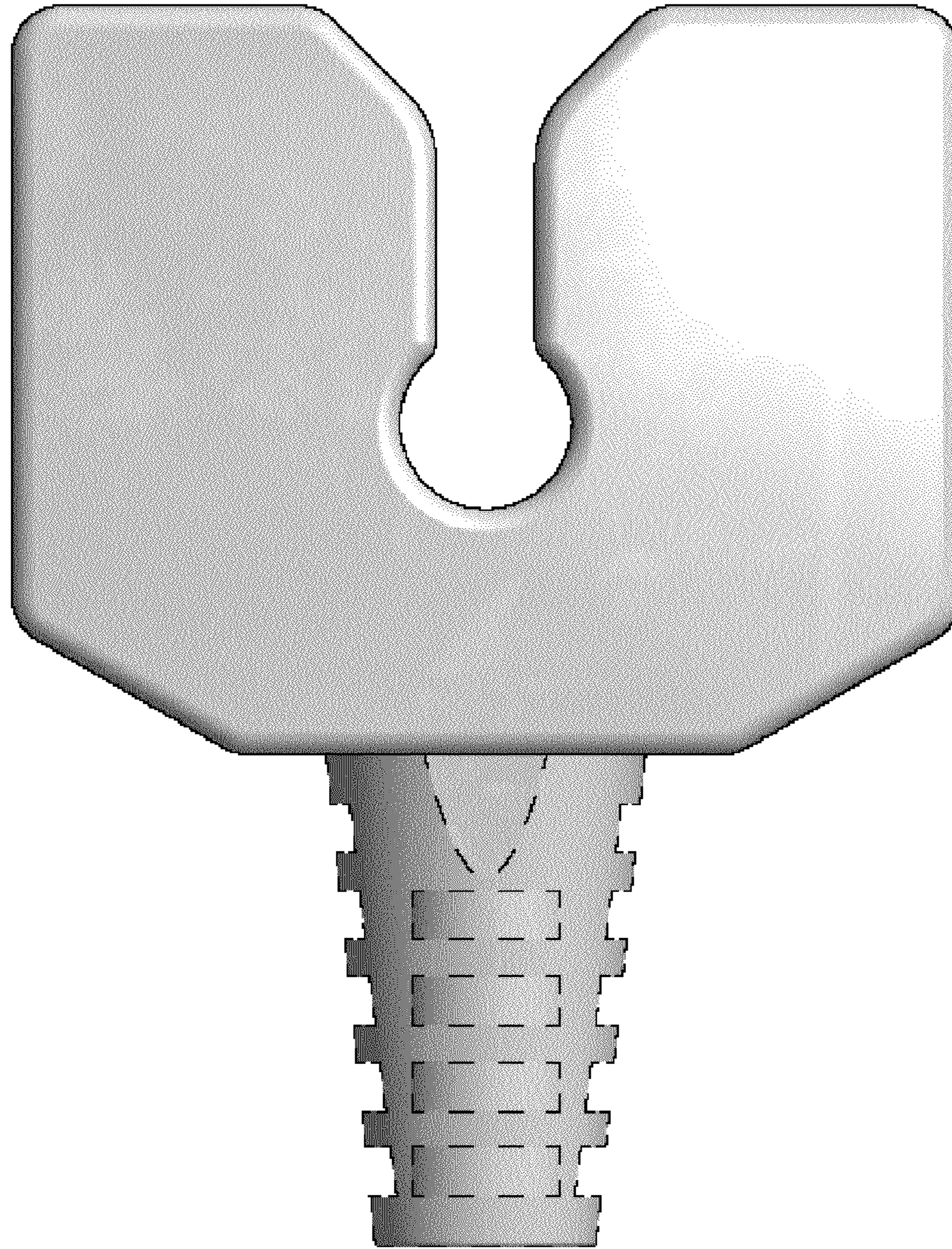


FIG. 3

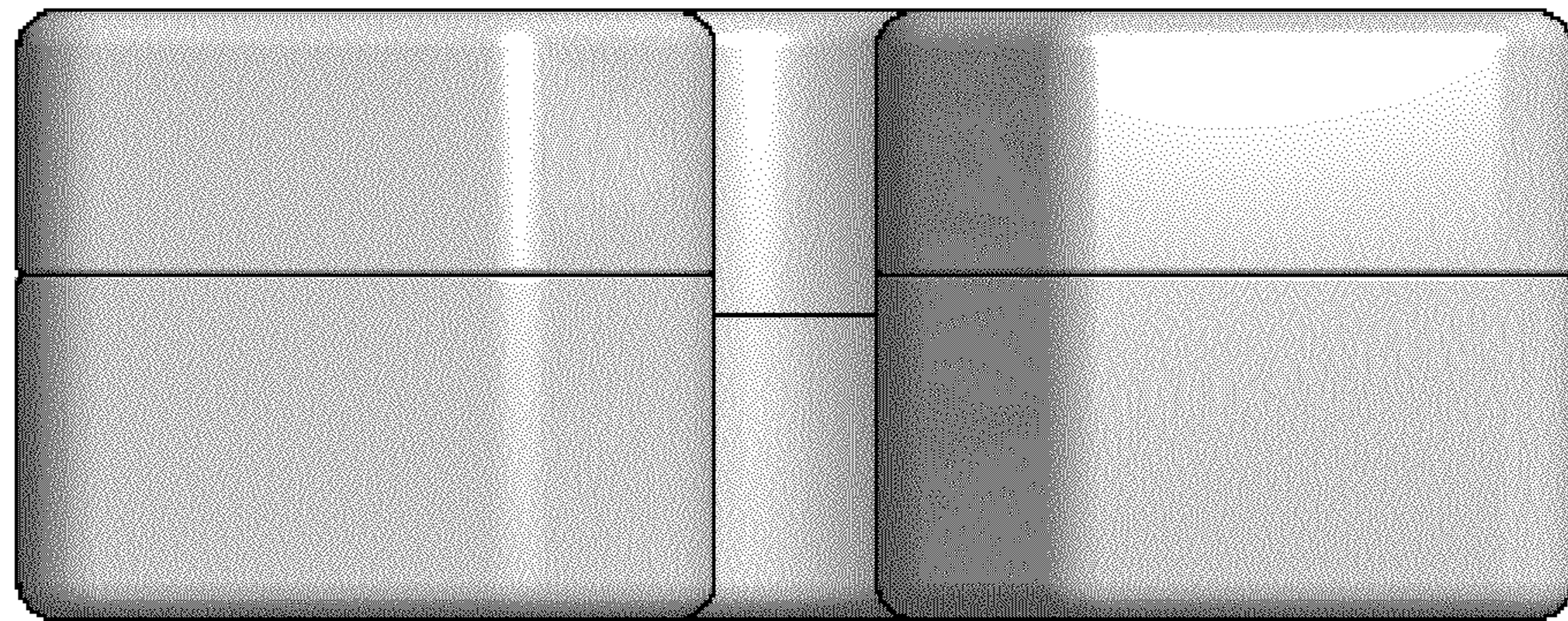


FIG. 4

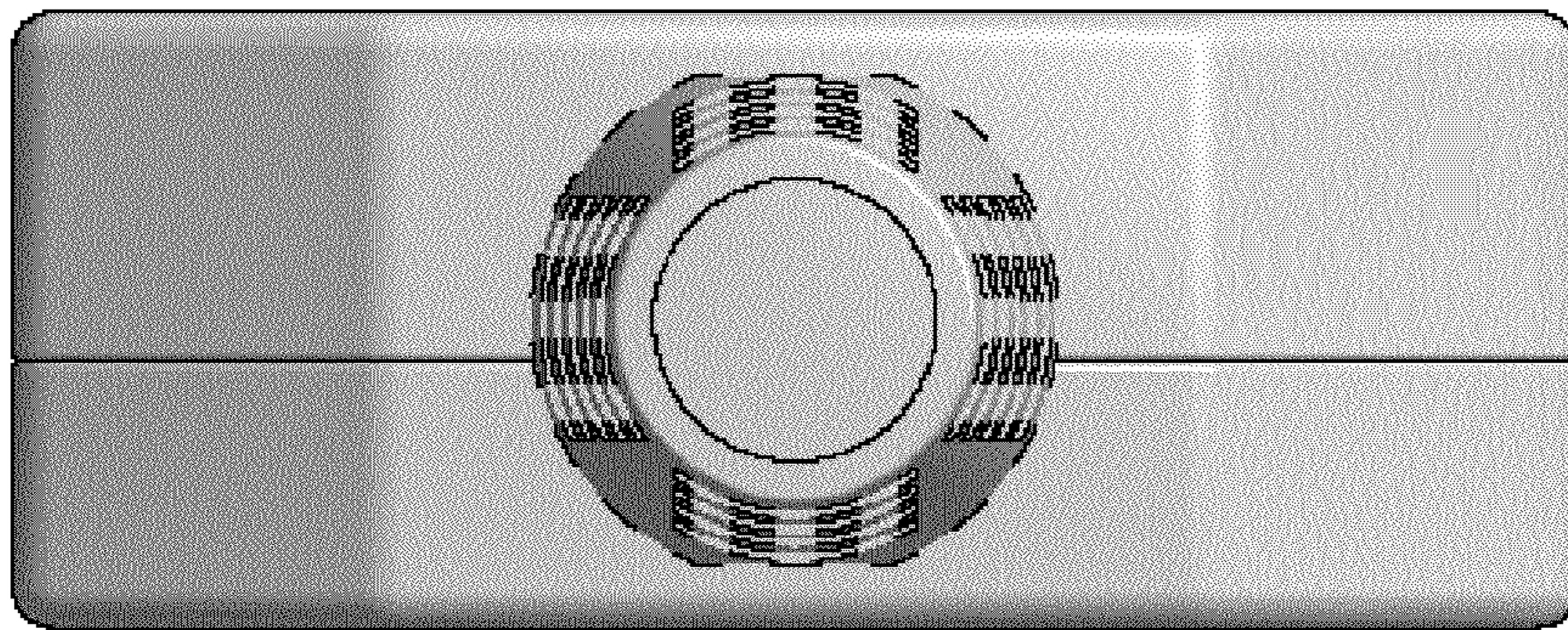


FIG. 5



FIG. 6

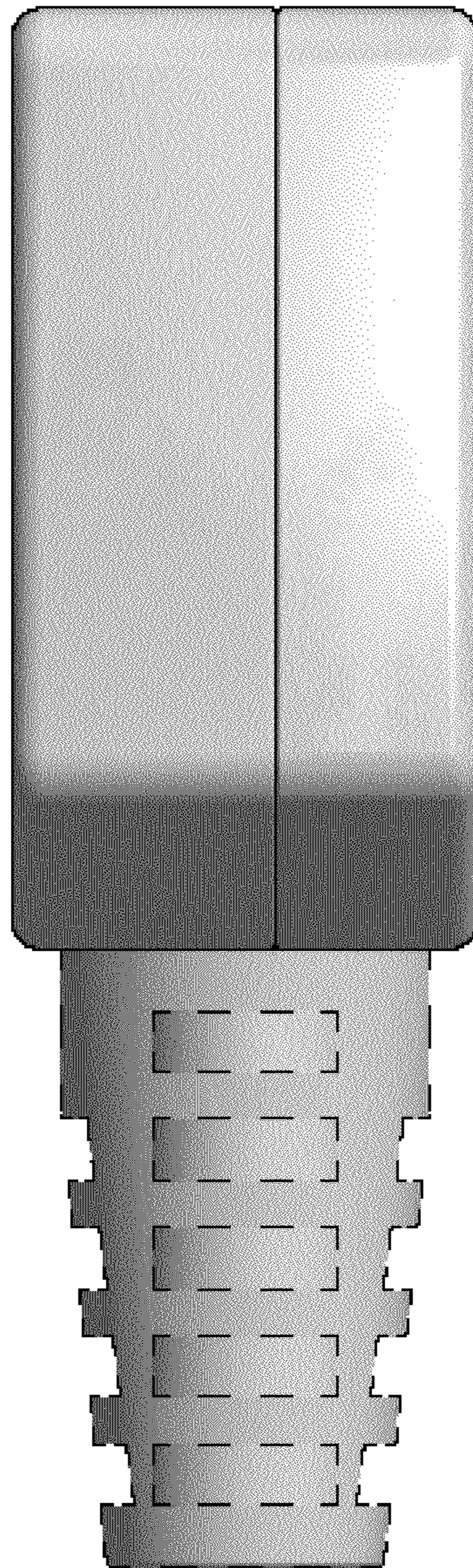


FIG. 7



UNITED STATES PATENT AND TRADEMARK OFFICE  
**CERTIFICATE OF CORRECTION**

PATENT NO. : D724,983 S  
APPLICATION NO. : 29/511410  
DATED : March 24, 2015  
INVENTOR(S) : Le-Jun Yin

Page 1 of 1

It is certified that error appears in the above-identified patent and that said Letters Patent is hereby corrected as shown below:

Title Page, Item (73) Assignee, "Glenelg, MD (US)" should read "King of Prussia, PA".

Signed and Sealed this  
Twenty-seventh Day of October, 2015



Michelle K. Lee  
*Director of the United States Patent and Trademark Office*