

US00D724982S

(12) **United States Design Patent**
Jackson

(10) **Patent No.:** **US D724,982 S**
(45) **Date of Patent:** **** Mar. 24, 2015**

- (54) **KNITTING COUNTER**
- (71) Applicant: **Sara Stadler Jackson**, Omaha, NE (US)
- (72) Inventor: **Sara Stadler Jackson**, Omaha, NE (US)
- (**) Term: **14 Years**
- (21) Appl. No.: **29/489,405**
- (22) Filed: **Apr. 29, 2014**

4,470,273 A 9/1984 Budd
 D288,181 S 2/1987 Matsubayashi
 4,764,943 A 8/1988 Okada

(Continued)

FOREIGN PATENT DOCUMENTS

CA 1085028 9/1980
 CA 1189042 6/1985
 CA 2776753 11/2012

OTHER PUBLICATIONS

Ablet Ilc, Home of the Knitting Abacus. Retrieved from the Internet:
<<http://knittingabacus.com/>>.

(Continued)

Primary Examiner — Antoine D Davis

Related U.S. Application Data

- (63) Continuation of application No. 13/907,965, filed on Jun. 2, 2013.
- (51) **LOC (10) Cl.** **10-04**
- (52) **U.S. Cl.**
USPC **D10/97**
- (58) **Field of Classification Search**
CPC ... A61J 7/04; A61J 7/0409; A61J 2007/0418;
A61J 2007/0463; A61J 7/0472; A61J 7/0481;
A61J 2007/049; B42F 17/28; G09F
2011/0009–2011/009; G09F 11/02–11/10;
G09F 7/00; G09F 11/23; G09F 11/232;
G06G 1/04
USPC D10/70; 116/222, 223, 303–326,
116/DIG. 23, DIG. 37
See application file for complete search history.

(57) **CLAIM**

The ornamental design for a knitting counter, as shown and described.

DESCRIPTION

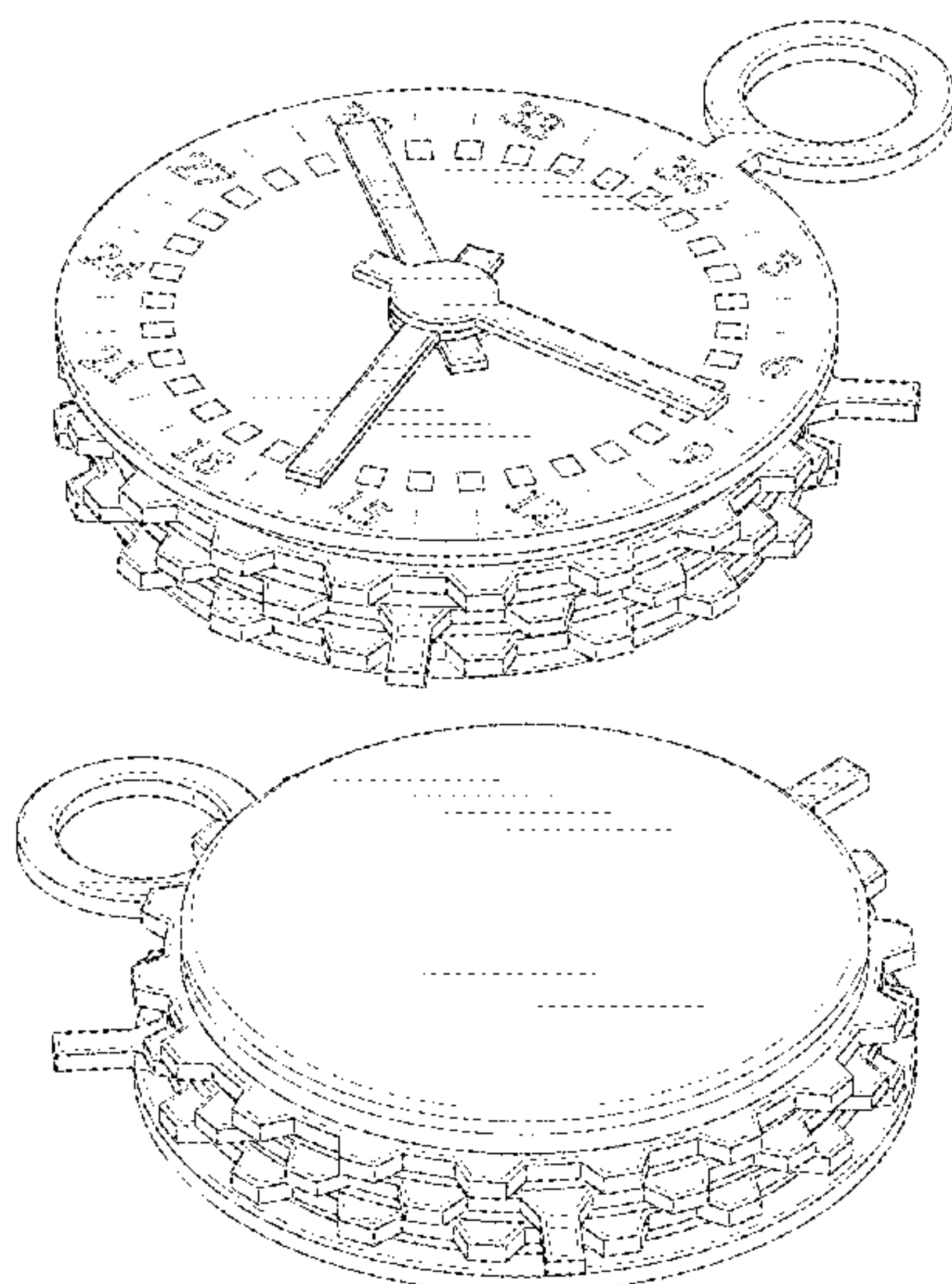
FIG. 1 is a front perspective view of a knitting counter showing my new design;
 FIG. 2 is a rear perspective view of the knitting counter shown in FIG. 1;
 FIG. 3 is a front view of the knitting counter shown in FIG. 1;
 FIG. 4 is a rear view of the knitting counter shown in FIG. 1;
 FIG. 5 is a left-side view of the knitting counter shown in FIG. 1;
 FIG. 6 is a right-side view of the knitting counter shown in FIG. 1;
 FIG. 7 is a top-down view of the knitting counter shown in FIG. 1; and,
 FIG. 8 is a bottom view of the knitting counter shown in FIG. 1.
 The features presented in broken lines are for illustrative purposes only and form no part of the claimed design.

(56) **References Cited**

U.S. PATENT DOCUMENTS

2,486,184 A	10/1949	Harris	
2,582,319 A	1/1952	Ellis	
2,722,814 A	11/1955	Ferlazzo	
2,821,953 A	2/1958	Langbart	
2,887,858 A	5/1959	Sanders	
2,918,035 A	12/1959	Thomas	
3,032,003 A *	5/1962	Lambert et al.	116/311
3,071,321 A *	1/1963	Ezopov	235/84
3,073,282 A *	1/1963	McIntosh	116/311
4,114,405 A	9/1978	Bartels	
4,343,160 A	8/1982	Turquet	

1 Claim, 6 Drawing Sheets



(56)

References Cited

U.S. PATENT DOCUMENTS

D556,071	S	11/2007	Jitsuda	
7,900,482	B2	3/2011	Barry	
8,506,303	B1	8/2013	Smith	
8,529,263	B1	9/2013	Smith	
8,615,319	B2	12/2013	Felice	
2009/0025625	A1*	1/2009	Lee	116/223
2012/0285204	A1	11/2012	Coleman	
2014/0374301	A1*	12/2014	West	206/459.5

OTHER PUBLICATIONS

Addi Rotally Row Counter. Retrieved from the Internet: <http://www.addineedleshop.com/addi_accessories/rotally.htm>.

Bluecell Pink Color Pendant Style Mini Knitting Stitch Counter Row Counter. Retrieved from the Internet: <<http://amzn.com/B00HFMUG8C>>.

Boye Crochet Dude Knit Tally. Retrieved from the Internet: <<http://amzn.com/B009GIJ6U2>>.

Boye Electric Row Counter. Retrieved from the Internet: <<http://amzn.com/B0041541DU>>.

Boye Knit Tally. Retrieved from the Internet: <<http://amzn.com/B000QHIG8A>>.

Boye Circular Knit Counter. Retrieved from the Internet: <<http://amzn.com/B005A2A8GO>>.

Estone 1 pc Mini Multi Purpose Knit Knitting Stitch Row Counter Pendant Style. Retrieved from the Internet: <<http://amzn.com/B00FVT2N6O>>.

KA Knitting Counter with Lock Function. Retrieved from the Internet: <<http://amzn.com/B00ALWH924>>.

Lion Brand Yarn Row Counter. Retrieved from the Internet: <<http://amzn.com/B0007LHJXS>>.

Susan Bates Chain Counter for Jewelry Making. Retrieved from the Internet: <<http://amzn.com/B009CFZWPC>>.

Susan Bates Knit Counter. Retrieved from the Internet: <<http://amzn.com/B00CMSZ2TW>>.

Susan Bates Universal Knit Count. Retrieved from the Internet: <<http://amzn.com/B00114Q0SA>>.

BeeCount Knitting Counter. Retrieved from the Internet: <<https://play.google.com/store/apps/details?id=com.knirrr.beecount>>.

Cordless Dog Knit Counter. Retrieved from the Internet: <<http://cordlessdog.com/knitcounter/>>.

Finger Row Counter. Retrieved from the Internet: <http://www.knitpicks.com/accessories/Finger_Row_Counter_-_White_D81731.html>.

Row Counter Plus. Retrieved from the Internet: <http://www.knitpicks.com/accessories/Row_Counter_Plus_D81781.html>.

JKnit. Retrieved from the Internet: <<http://www.jakrosoft.com/jknit.html>>.

Knit—knitting counter for iOS. Retrieved from the Internet: <<https://itunes.apple.com/us/app/knit-knitting-counter-for-ios/id473675243?mt=8>>.

Knit Counter Lite. Retrieved from the Internet: <<https://itunes.apple.com/us/app/knit-counter-lite/id310821956?mt=8>>.

KnitCompanion. Retrieved from the Internet: <<https://www.knitcompanion.com/knitcompanion/>>.

KnitCompanion—Screenshots. Retrieved from the Internet: <<https://www.knitcompanion.com/knitcompanion/screenshots/>>.

KnitMinder. Retrieved from the Internet: <<https://itunes.apple.com/us/app/knitminder/id311950990?mt=8>>.

Knit-n-Count. Retrieved from the Internet: <<https://itunes.apple.com/us/app/knit-n-count/id403436989?mt=8>>.

Knitting Counter. Retrieved from the Internet: <<https://play.google.com/store/apps/details?id=org.kuklake.rowCounter>>.

Clover Knitting Counter “Mini” Kacha-Kacha. Retrieved from the Internet: <<http://www.clover-usa.com/p/knitting-counter-mini-kacha-kacha>>.

Clover Knitting Counter Kacha-Kacha. Retrieved from the Internet: <<http://www.clover-usa.com/p/knitting-counter-kacha-kacha>>.

Knitting Row Counter. Retrieved from the Internet: <<https://www.etsy.com/listing/172380306/knitting-row-counter-now-with-new-colors>>.

Little Dorrit Triple Knitting Counter. Retrieved from the Internet: <http://commons.wikimedia.org/wiki/File:Little_Dorrit_knitting_row_counter_002.jpg>.

Row Counter Plus. Retrieved from the Internet: <https://www.nancysknitknacks.com/row_counter_plus.htm>.

Row counter (hand knitting). Retrieved from the Internet: <[http://en.wikipedia.org/wiki/Row_counter_\(hand_knitting\)](http://en.wikipedia.org/wiki/Row_counter_(hand_knitting))>.

Row Counter Bracelets. Retrieved from the Internet: <<https://www.etsy.com/search?q=row>>.

StitchMinder. Retrieved from the Internet: <<https://itunes.apple.com/us/app/stitchminder/id287491425?mt=8>>.

Susan Bates Peg It Knitting Counter. Retrieved from the Internet: <http://www.ebay.com/sch/i.html?_kw=bates+peg+knitting+counter>.

The Knit Kit. Retrieved from the Internet: <<http://www.theknitkit.com/>>.

* cited by examiner

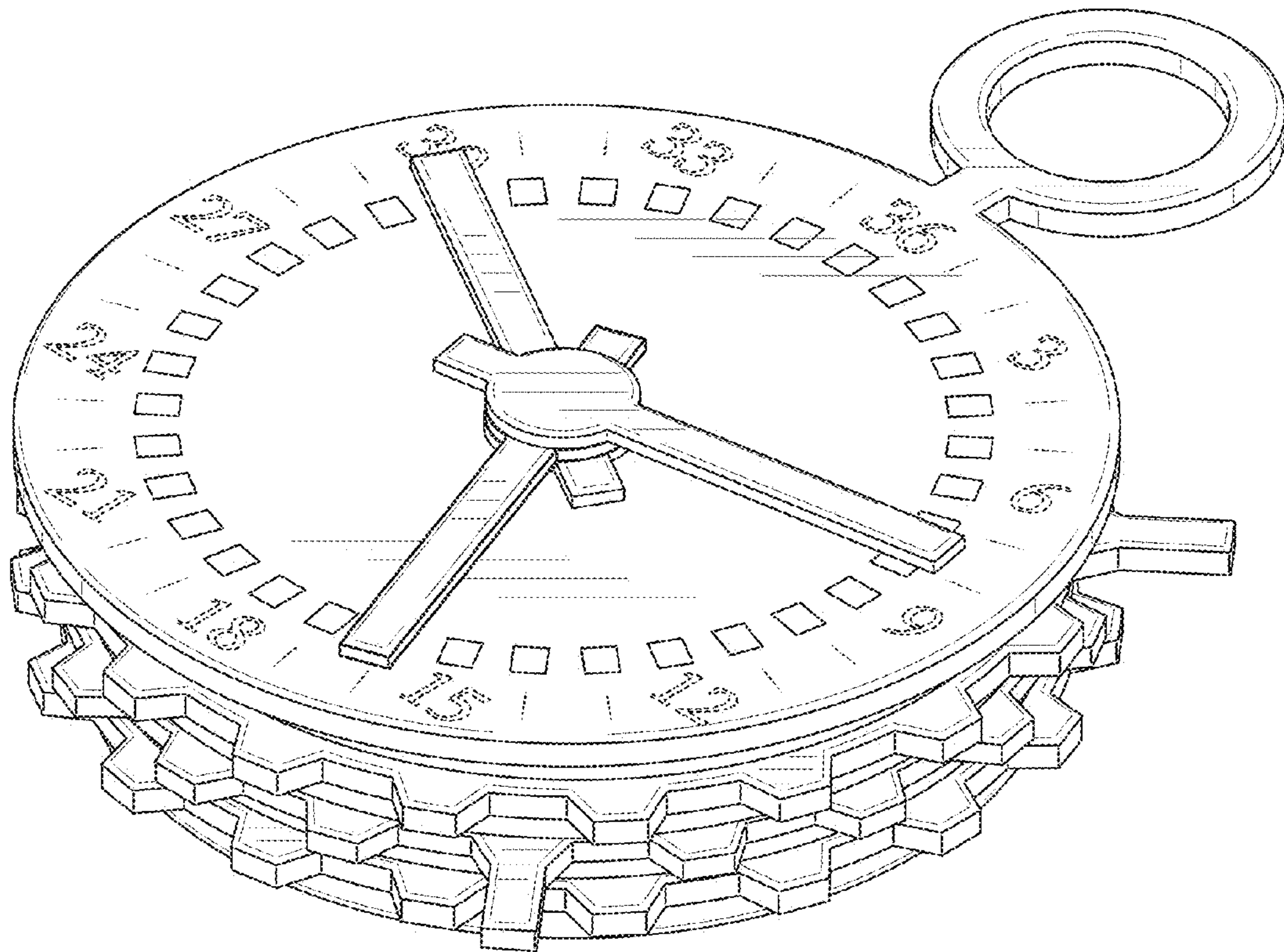


FIG. 1

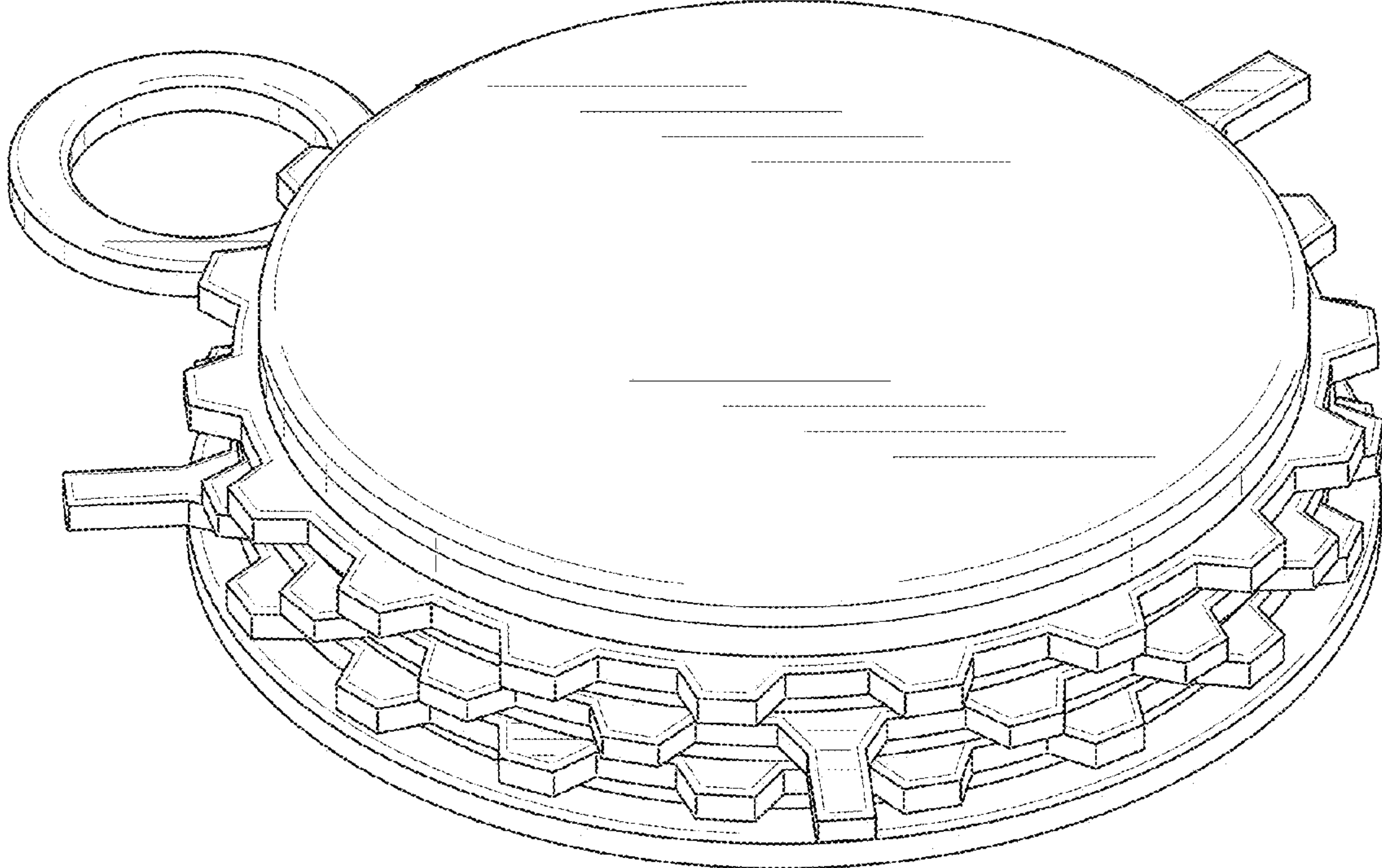


FIG. 2

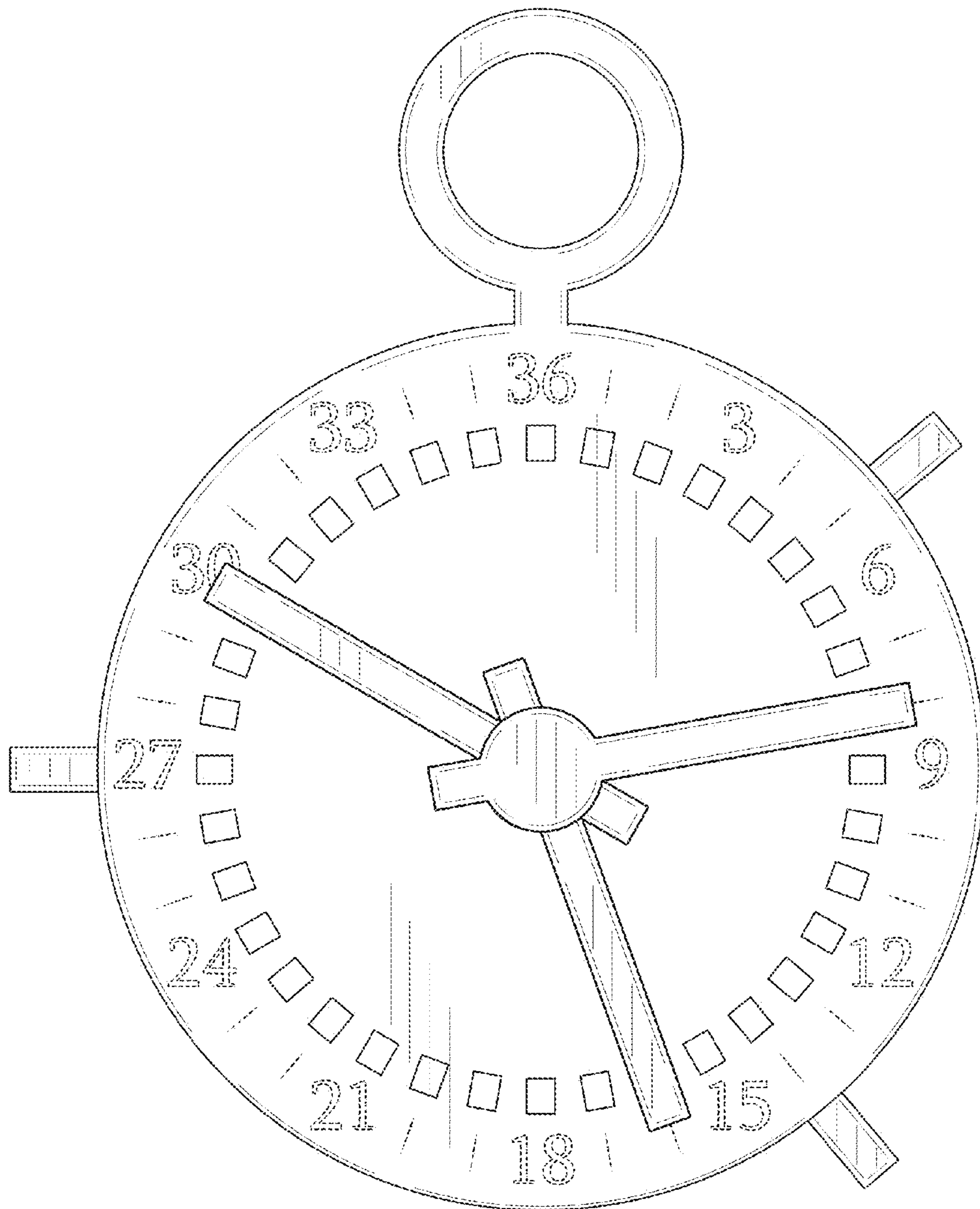


FIG. 3

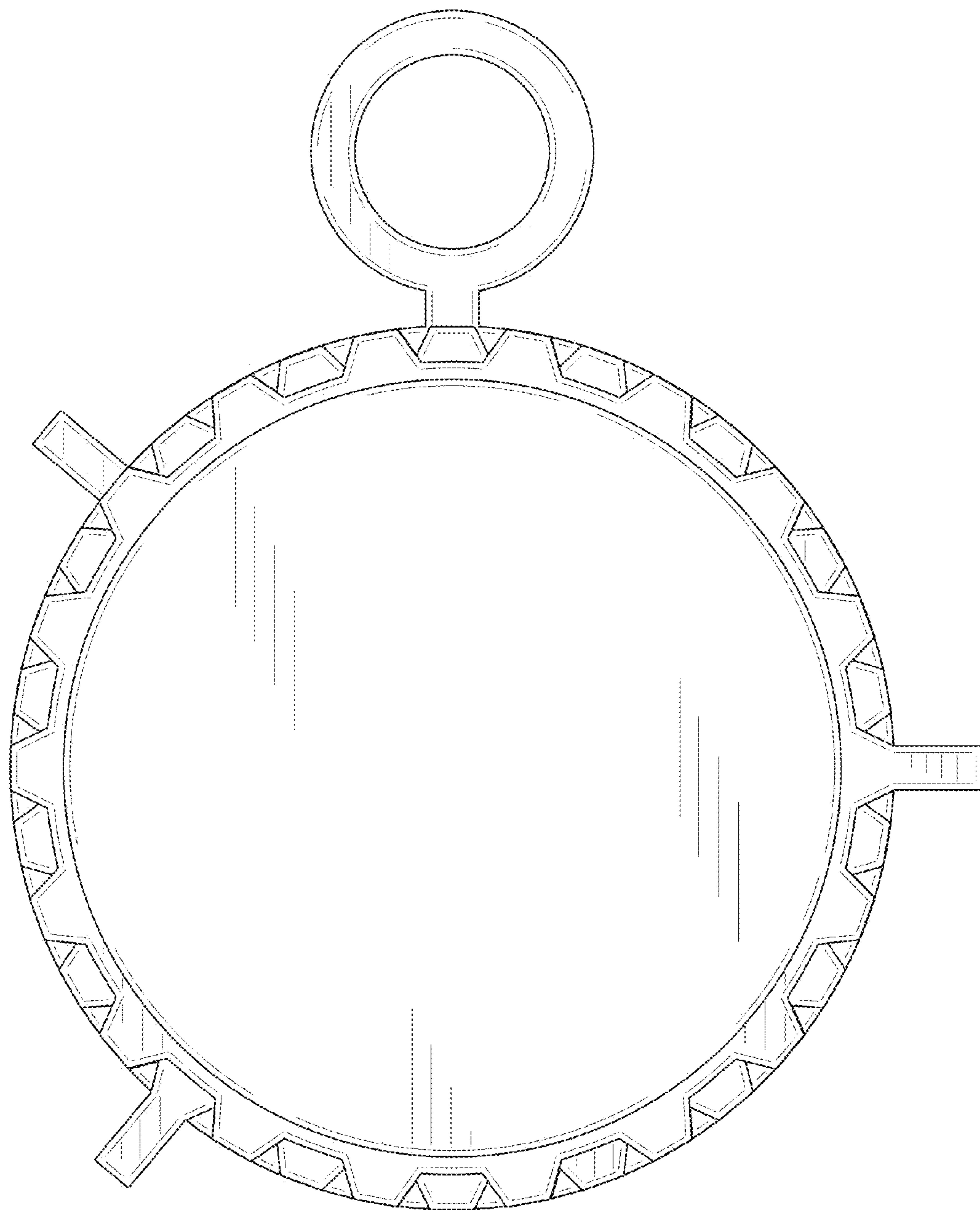


FIG. 4

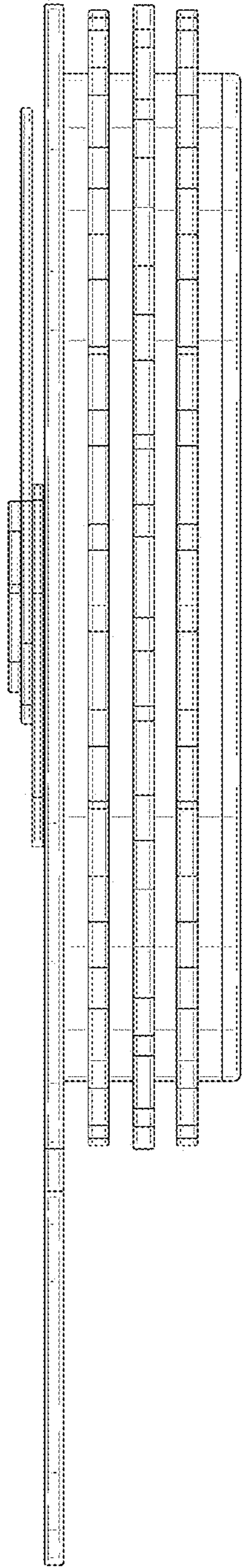


FIG. 5

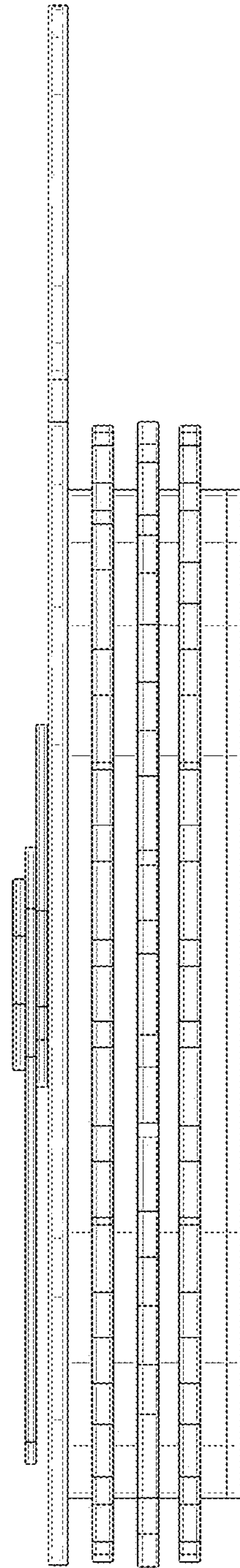


FIG. 6

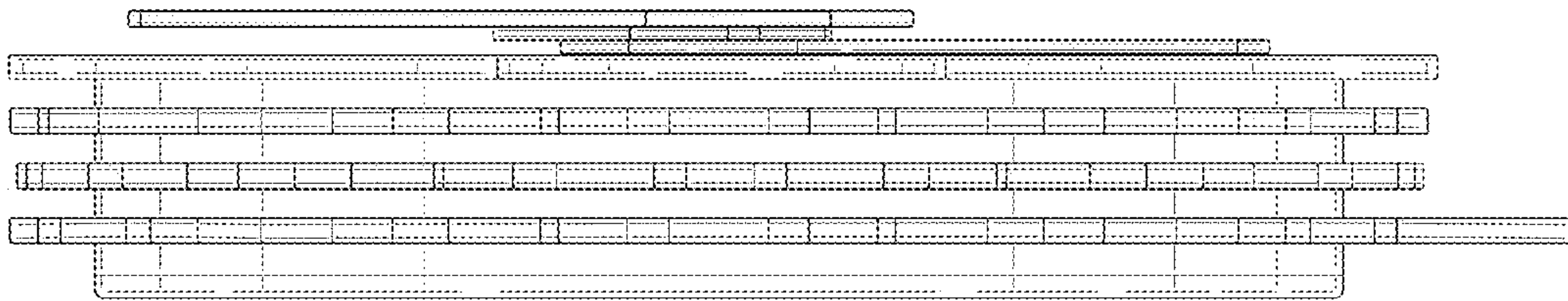


FIG. 7

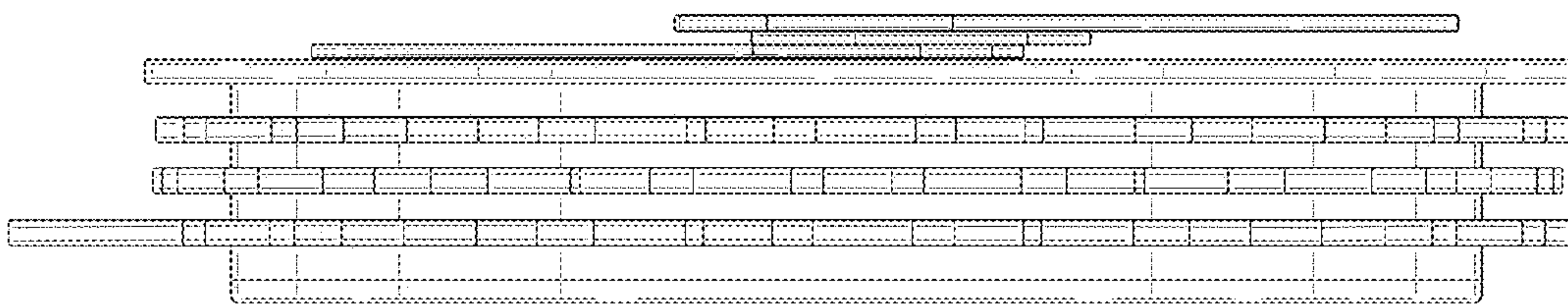


FIG. 8