

US00D724981S

(12) **United States Design Patent**  
**Schreiber et al.**

(10) **Patent No.:** **US D724,981 S**  
(45) **Date of Patent:** **\*\* Mar. 24, 2015**

(54) **ELECTRONIC PRESSURE TRANSDUCER WITH OUTPUT DISPLAY**

(71) Applicant: **WIKA Alexander Wiegand SE & Co. KG, Klingenberg (DE)**

(72) Inventors: **Nicole Schreiber, Aschaffenburg (DE); Holger Glaab, Goldbach (DE); Horst Landwehr, Hanau (DE)**

(73) Assignee: **WIKA Alexander Wiegand SE & Co. KG, Klingenberg (DE)**

(\*\*) Term: **14 Years**

(21) Appl. No.: **29/487,719**

(22) Filed: **Apr. 11, 2014**

(30) **Foreign Application Priority Data**

Dec. 20, 2013 (DE) ..... 40 2013 005 425

(51) **LOC (10) Cl.** ..... **10-04**

(52) **U.S. Cl.**  
USPC ..... **D10/85**

(58) **Field of Classification Search**  
USPC ..... D10/83-85  
See application file for complete search history.

(56) **References Cited**

**U.S. PATENT DOCUMENTS**

D417,409 S \* 12/1999 Boehringer et al. .... D10/85  
D551,105 S \* 9/2007 Brasse et al. .... D10/85

(Continued)

*Primary Examiner* — Antoine D Davis

(74) *Attorney, Agent, or Firm* — Bejin Bieneman PLC

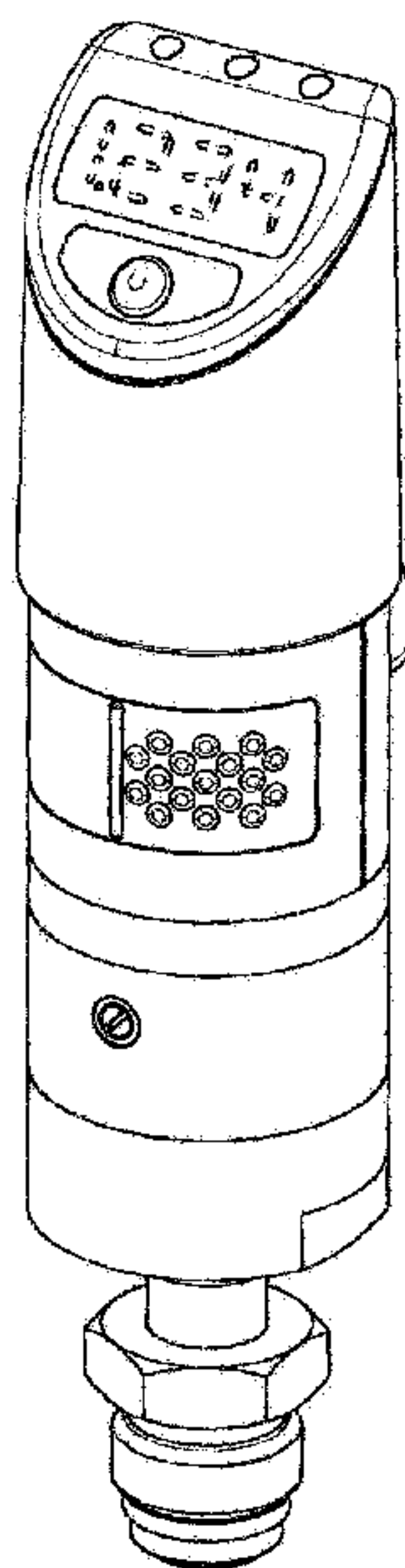
(57) **CLAIM**

The ornamental design for an electronic pressure transducer with output display, as shown and described.

**DESCRIPTION**

FIG. 1A is a perspective view of a first embodiment of our new, original and ornamental design for a pressure sensor; FIG. 1B is a front plan view of the embodiment of FIG. 1A; FIG. 1C is a top plan view of the embodiment of FIG. 1A; FIG. 1D is a left plan view of the embodiment of FIG. 1A; FIG. 1E is a right plan view of the embodiment of FIG. 1A; FIG. 1F is a back plan view of the embodiment of FIG. 1A; FIG. 1G is a bottom plan view of the embodiment of FIG. 1A; FIG. 2A is a perspective view of a second embodiment of an ornamental design for a pressure sensor. FIG. 2B is a front plan view of the embodiment of FIG. 2A; FIG. 2C is a top plan view of the embodiment of FIG. 2A; FIG. 2D is a left plan view of the embodiment of FIG. 2A; FIG. 2E is a right plan view of the embodiment of FIG. 2A; FIG. 2F is a back plan view of the embodiment of FIG. 2A; FIG. 2G is a bottom plan view of the embodiment of FIG. 2A; FIG. 3A is a perspective view of a third embodiment of an ornamental design for a pressure sensor. FIG. 3B is a front plan view of the embodiment of FIG. 3A; FIG. 3C is a top plan view of the embodiment of FIG. 3A; FIG. 3D is a left plan view of the embodiment of FIG. 3A; FIG. 3E is a right plan view of the embodiment of FIG. 3A; FIG. 3F is a back plan view of the embodiment of FIG. 3A; and, FIG. 3G is a bottom plan view of the embodiment of FIG. 3A. The broken line showing of structural features is included for the purpose of illustrating non-claimed subject matter and forms no part of the claimed design.

**1 Claim, 21 Drawing Sheets**



(56)

**References Cited**

U.S. PATENT DOCUMENTS

D588,483 S *	3/2009	Chu	.....	D10/85	D689,390 S *	9/2013	Okawa et al.	.....	D10/85
D644,948 S *	9/2011	Dreyer et al.	.....	D10/85	D692,336 S *	10/2013	Lin et al.	.....	D10/85
D669,804 S *	10/2012	Ashino	.....	D10/85	D700,090 S *	2/2014	Ashino	.....	D10/85
					D704,081 S *	5/2014	Haener et al.	.....	D10/85
					2007/0199596 A1 *	8/2007	Fernandez	.....	137/228

\* cited by examiner

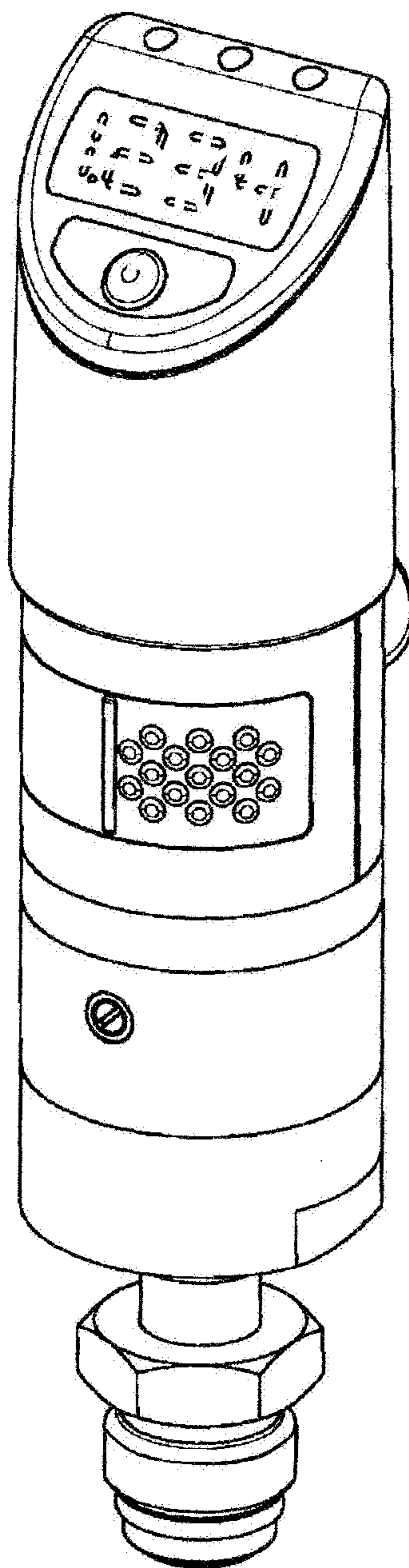


FIG.1A

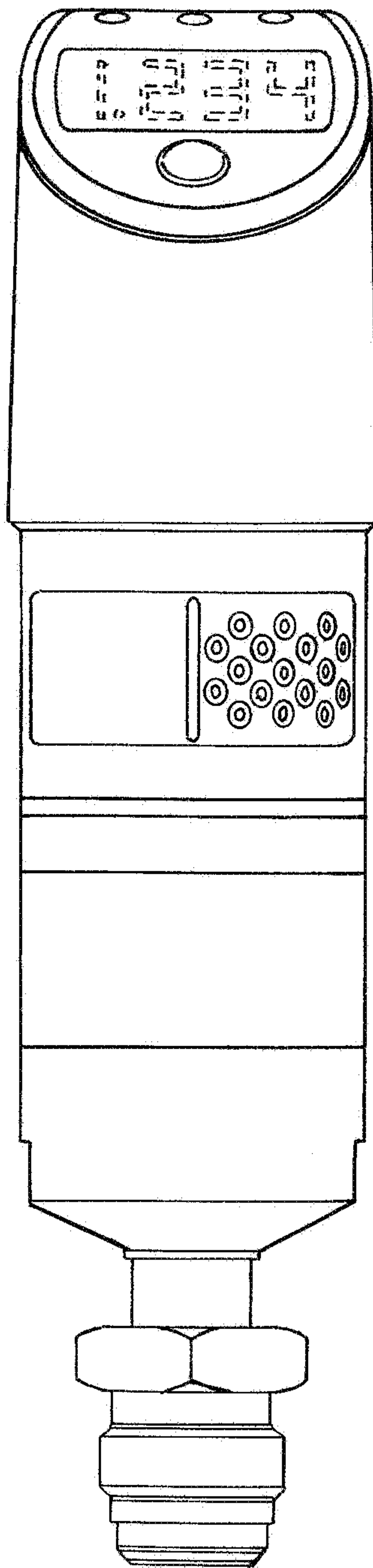


FIG. 1B

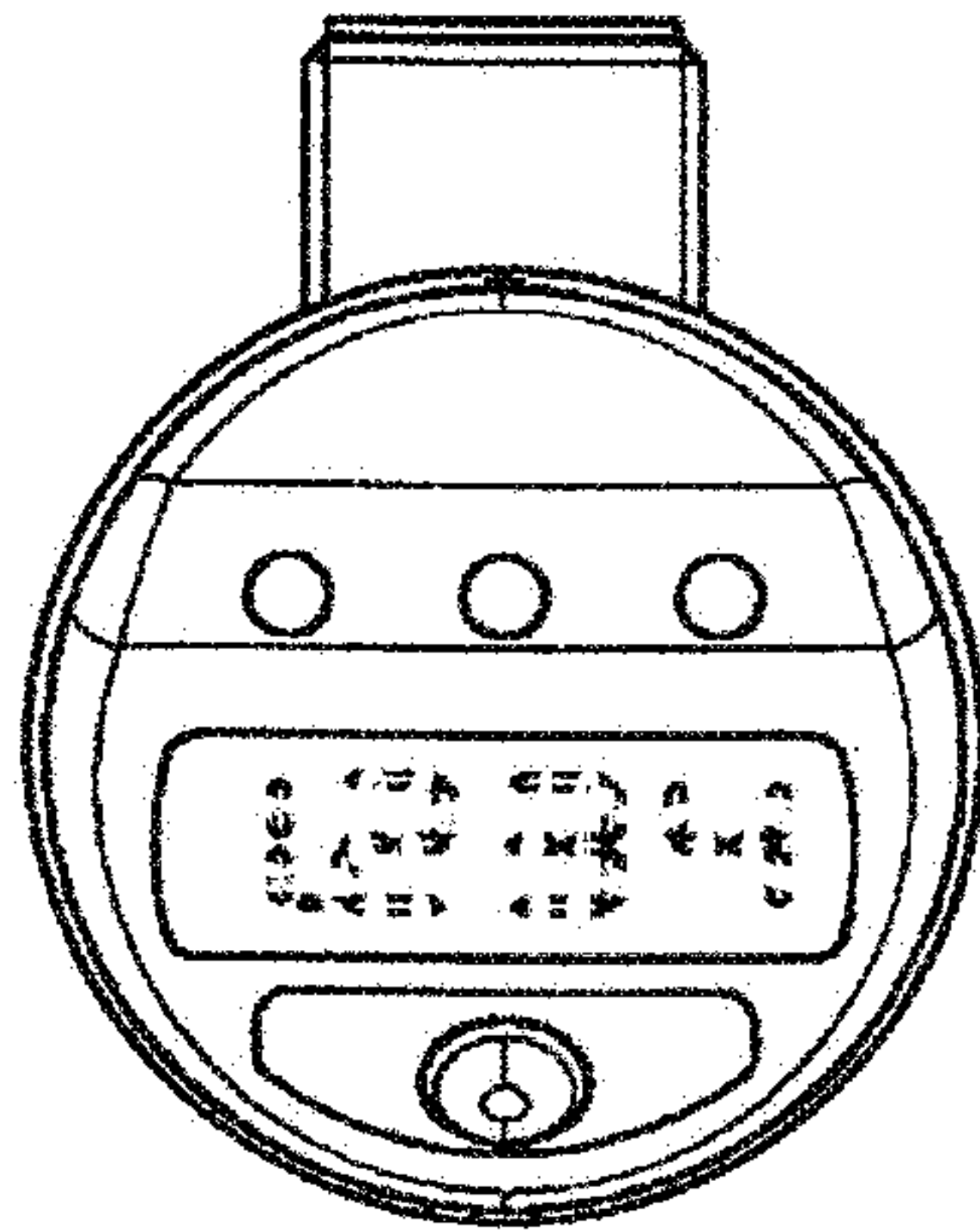


FIG.1C

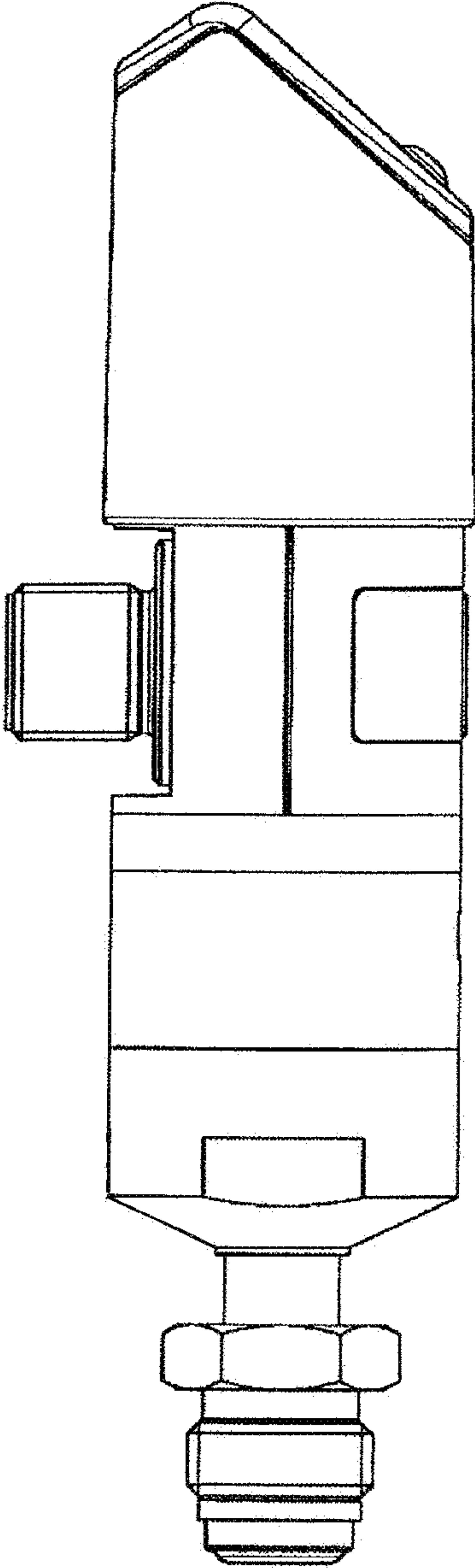


FIG.1D

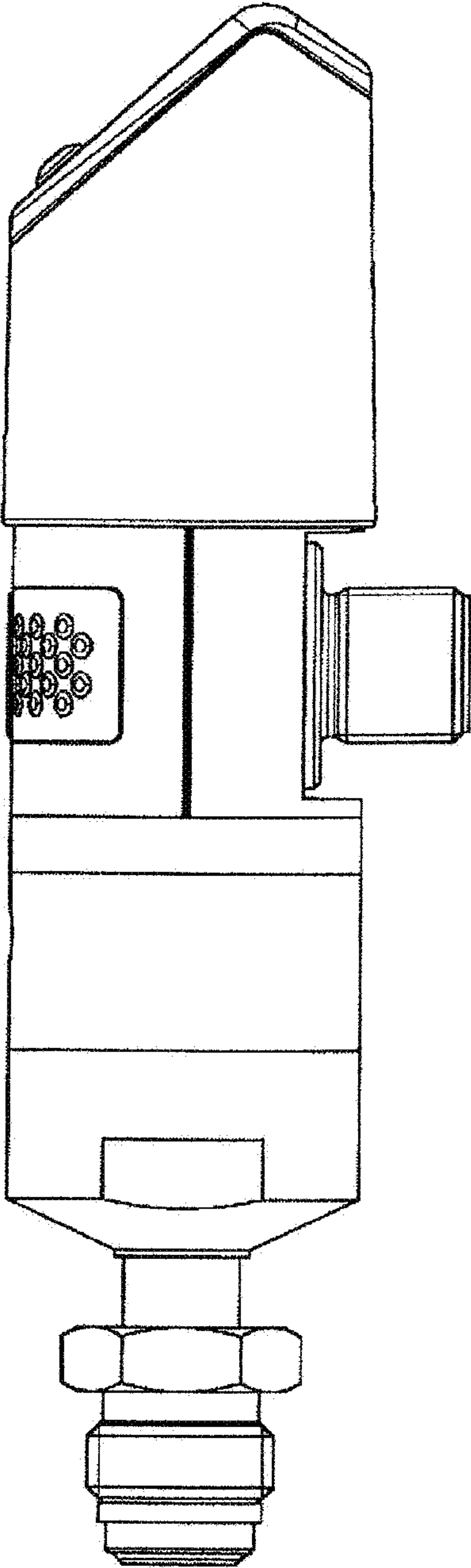


FIG.1E



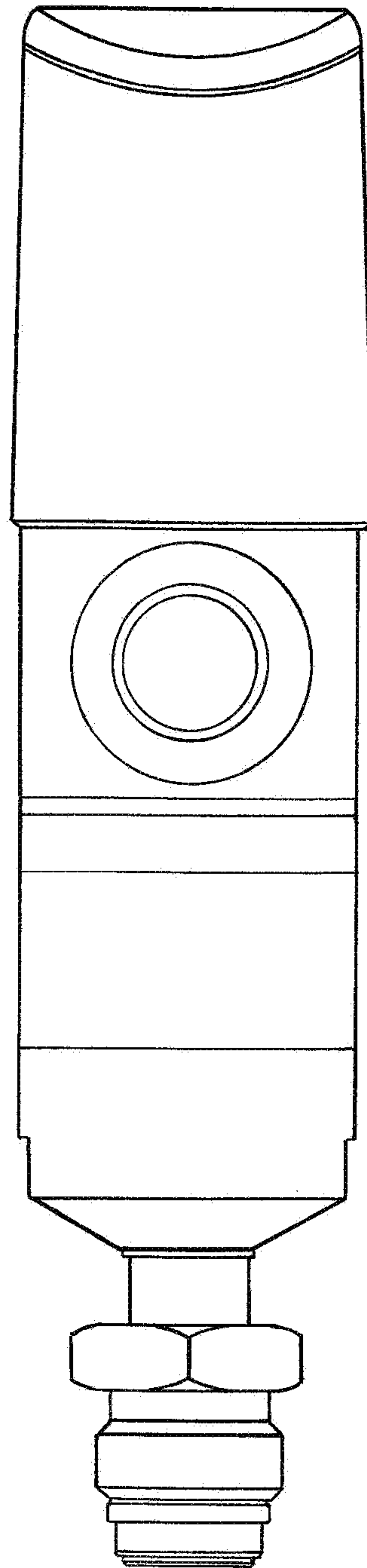


FIG.1F



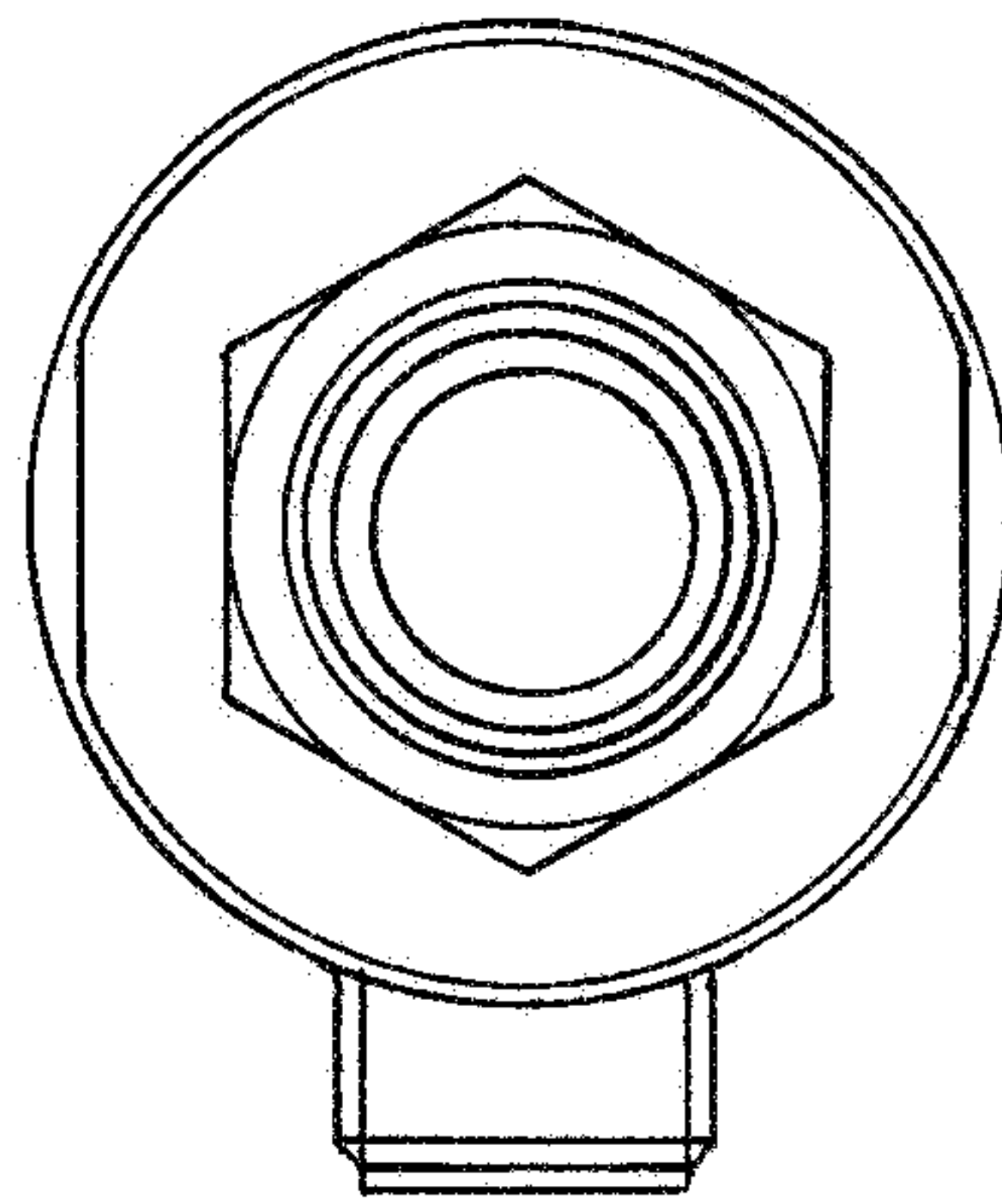


FIG.1G

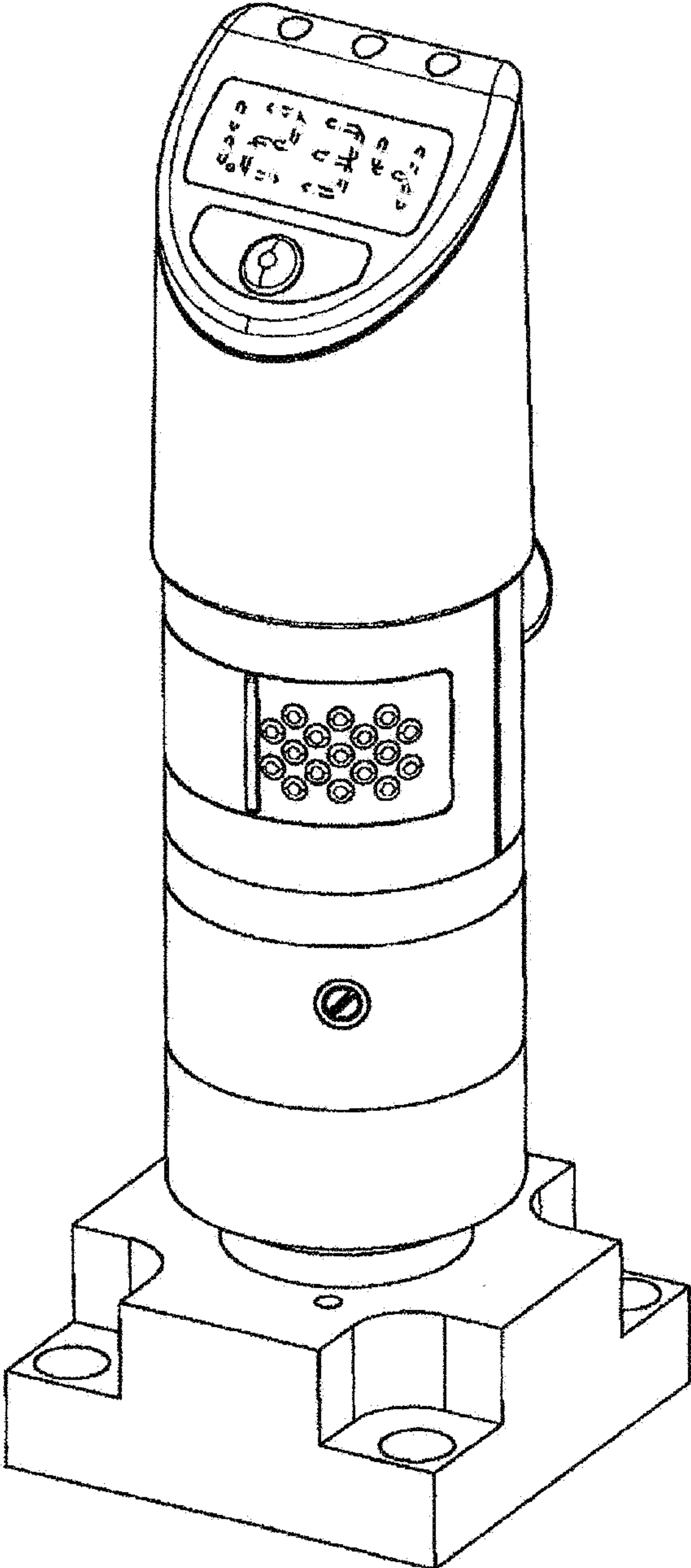


FIG.2A

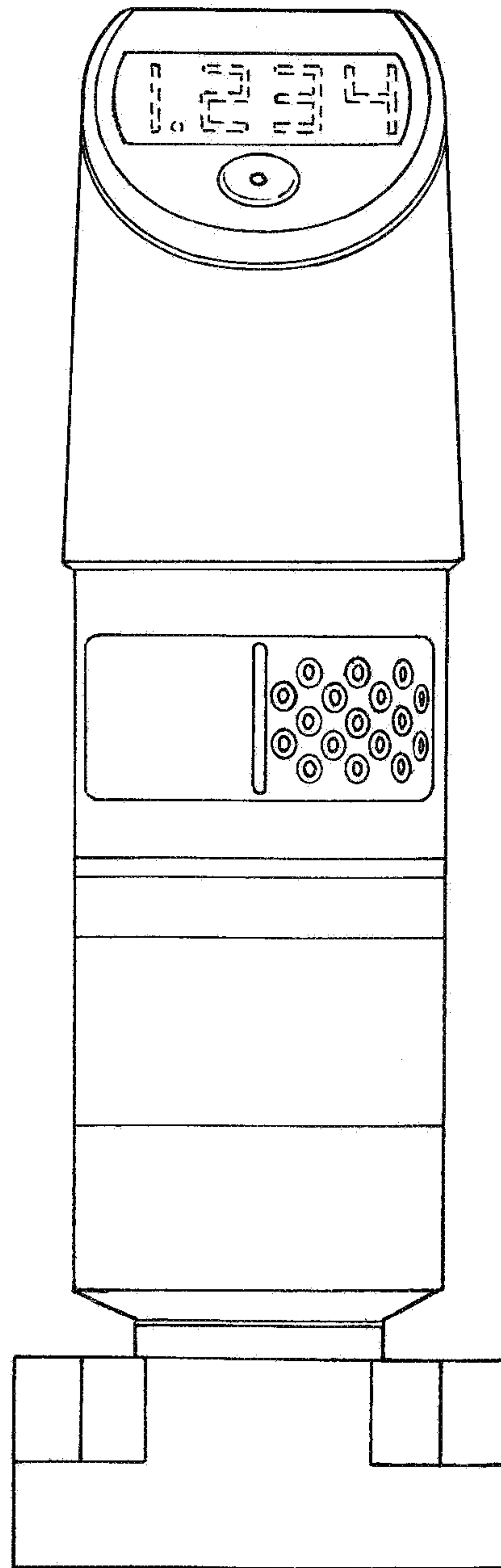


FIG. 2B

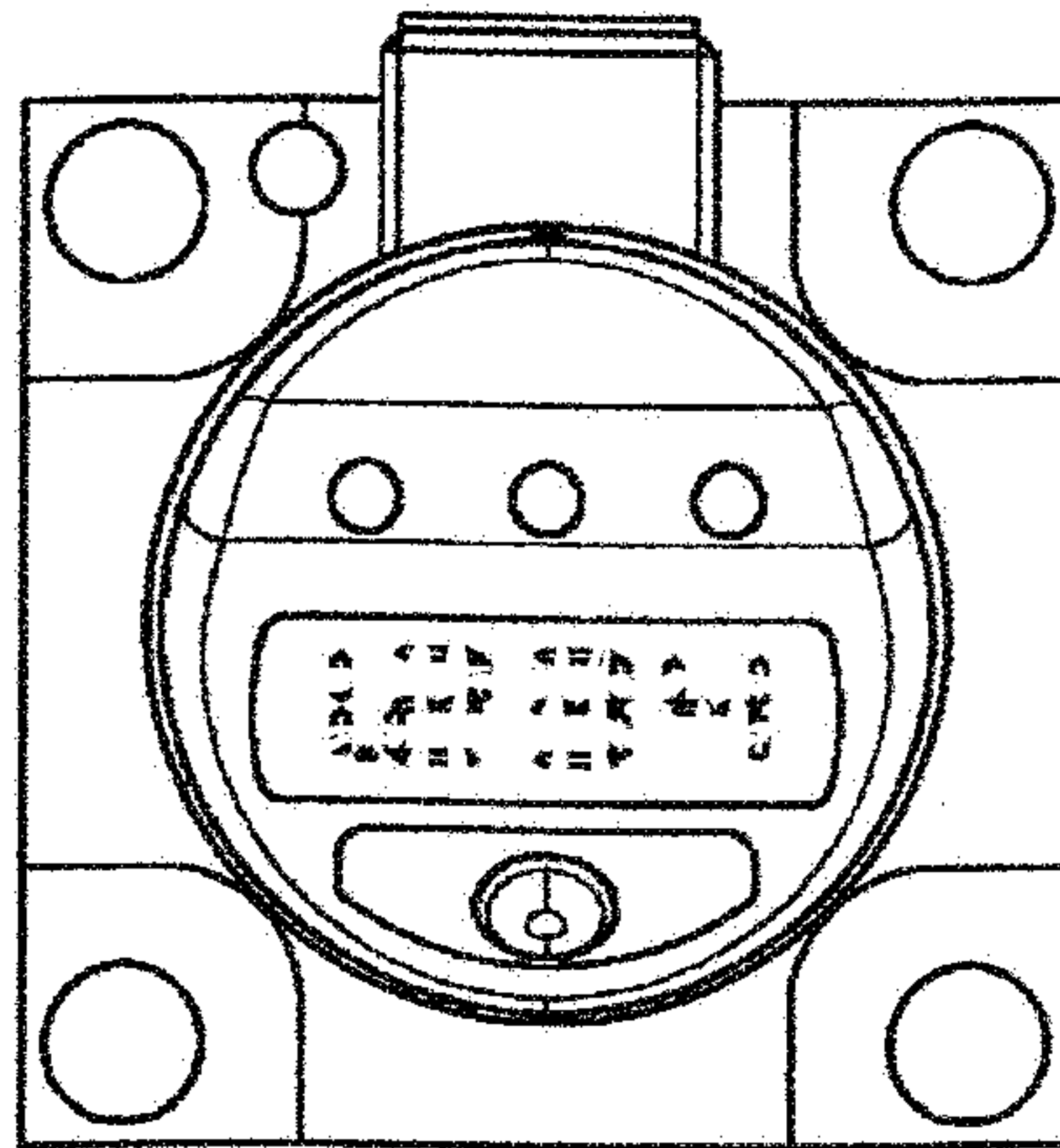


FIG.2C

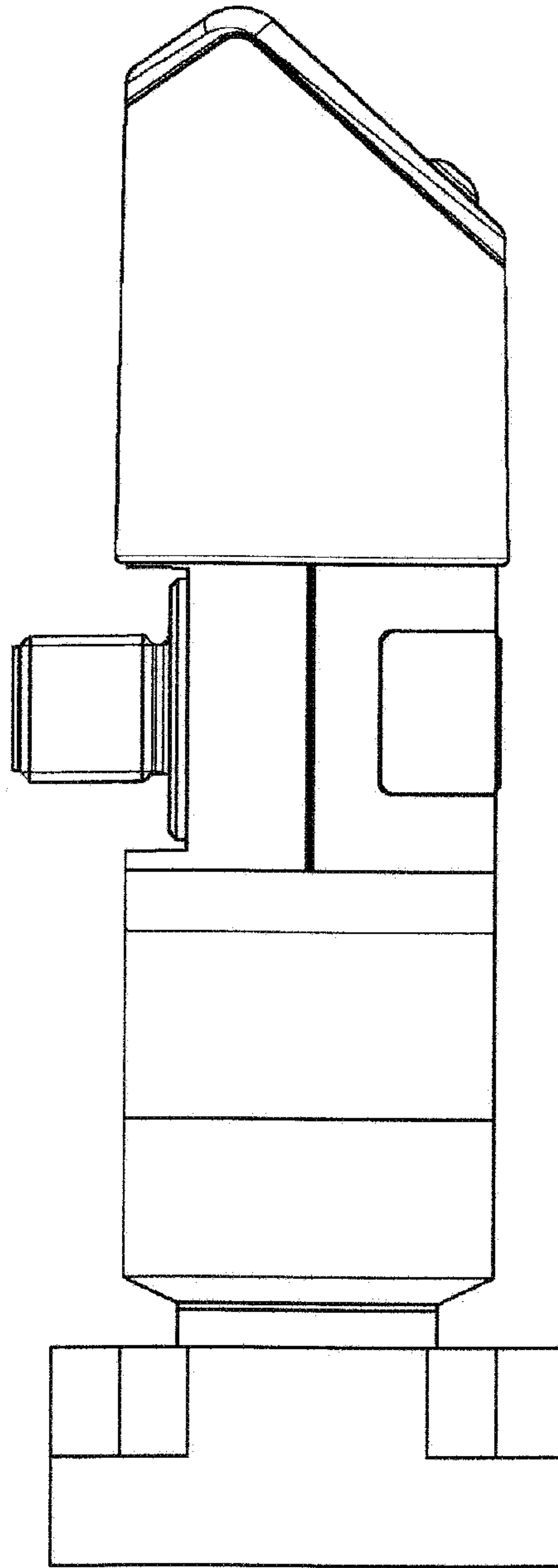


FIG.2D

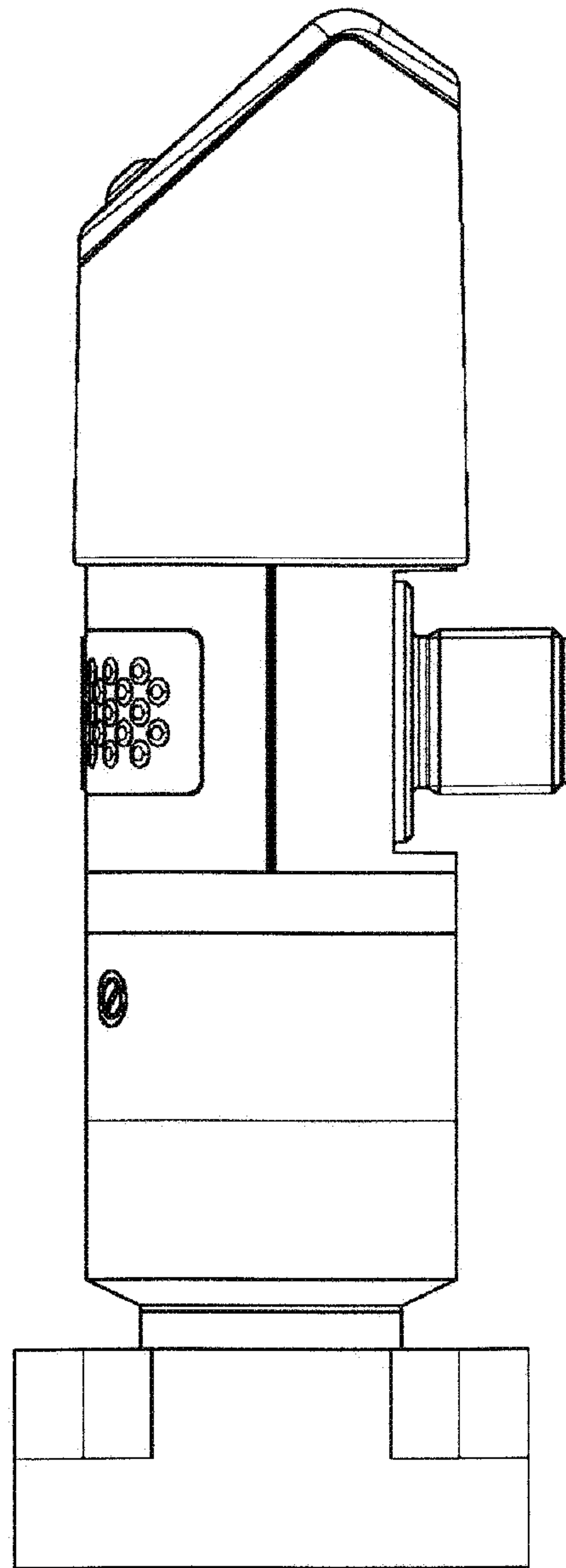


FIG. 2E

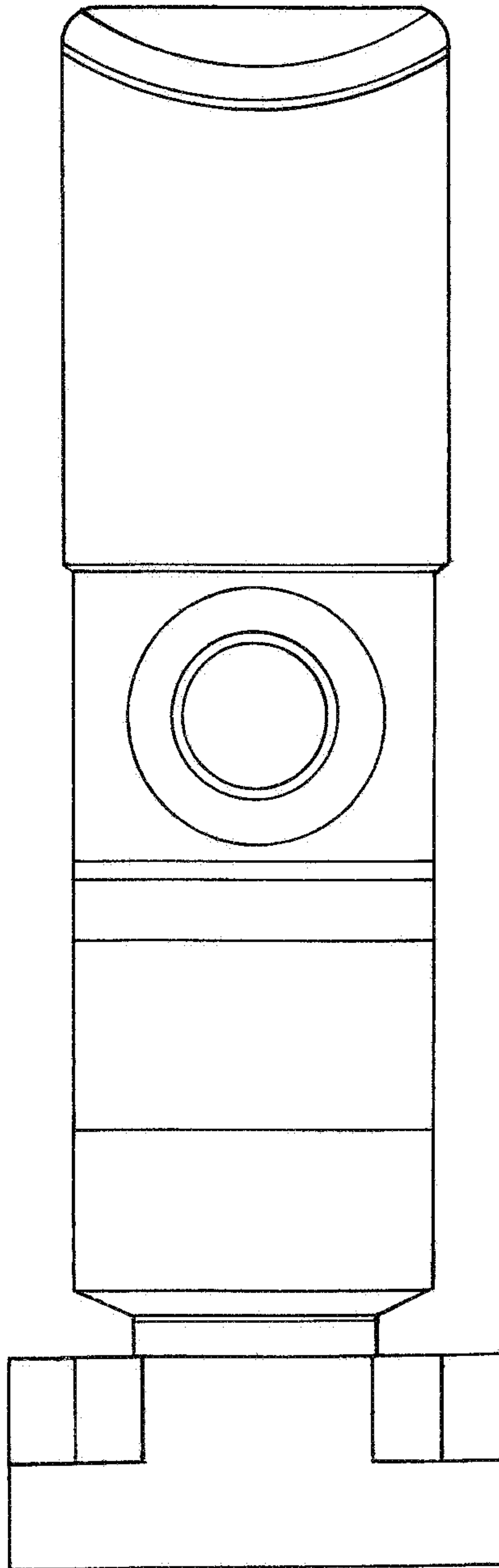


FIG.2F



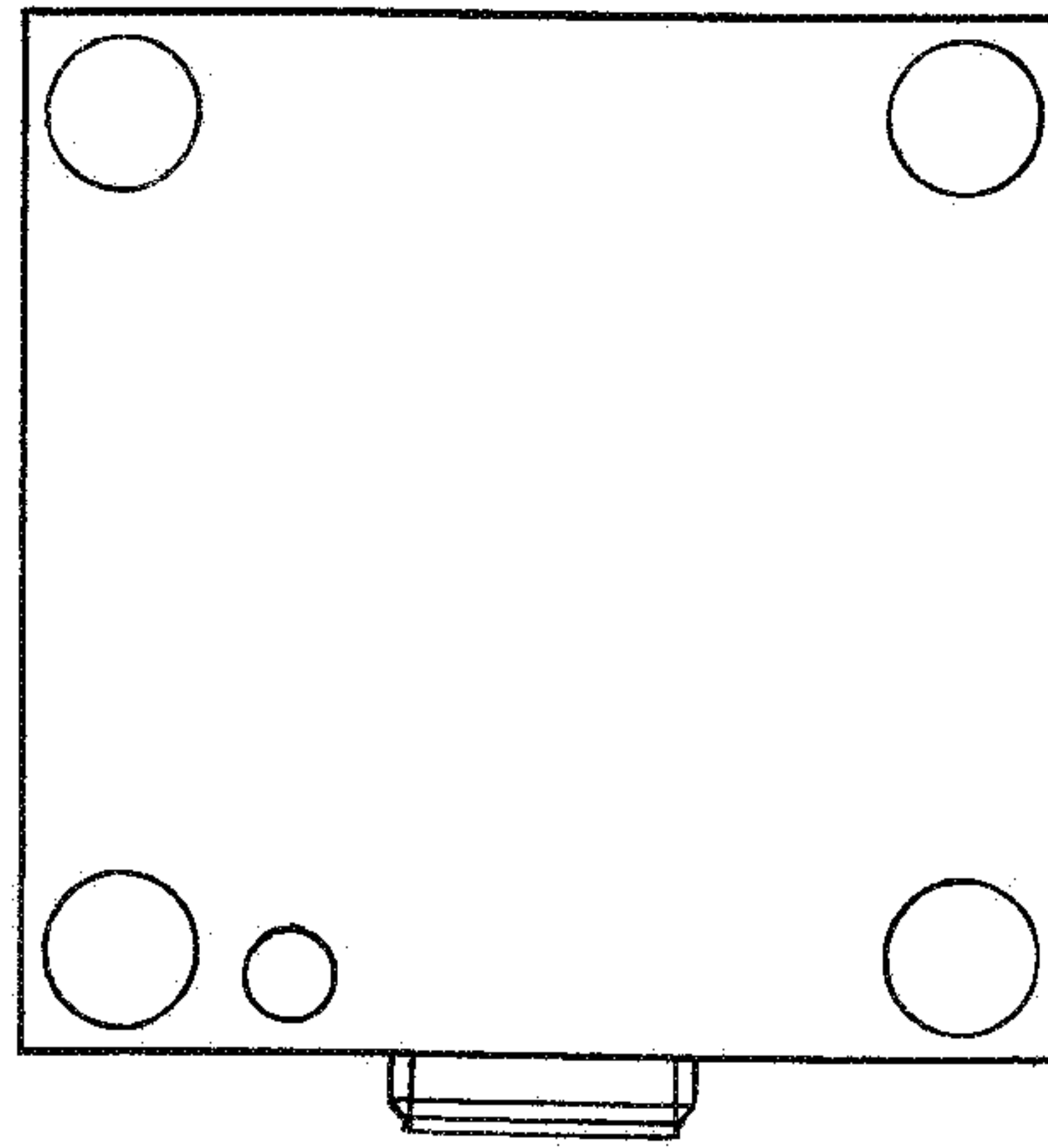


FIG.2G

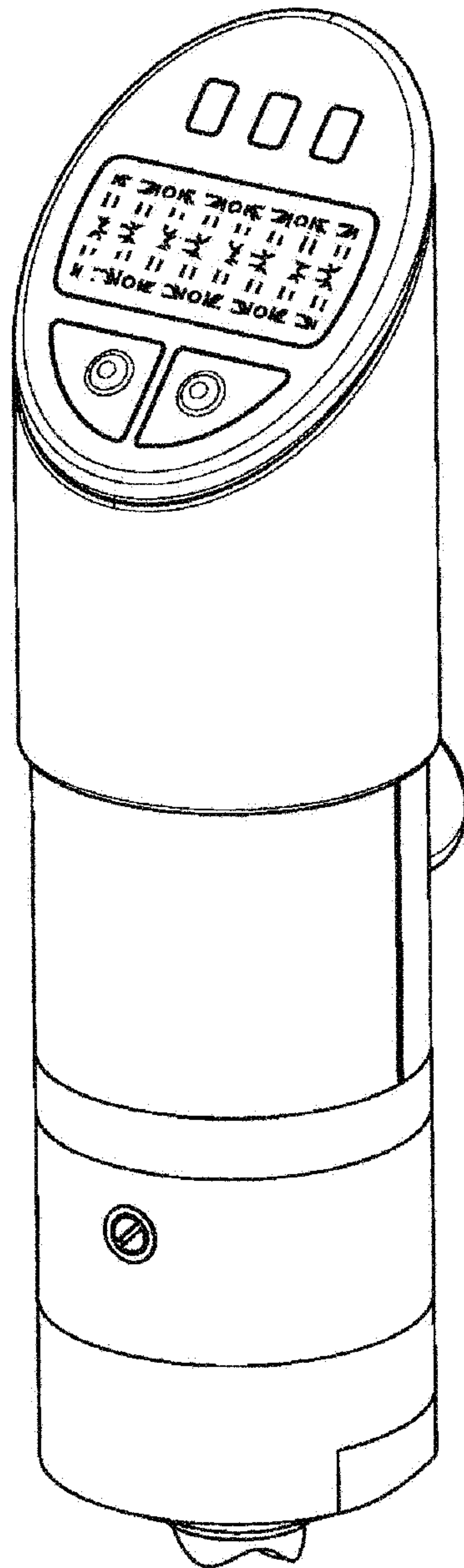


FIG.3A

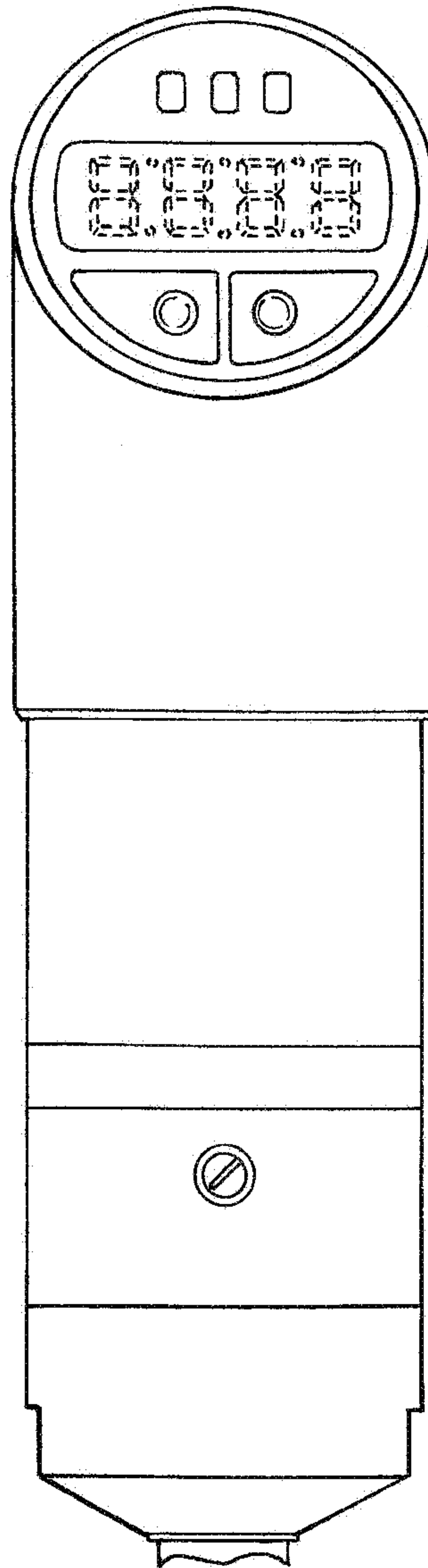


FIG.3B

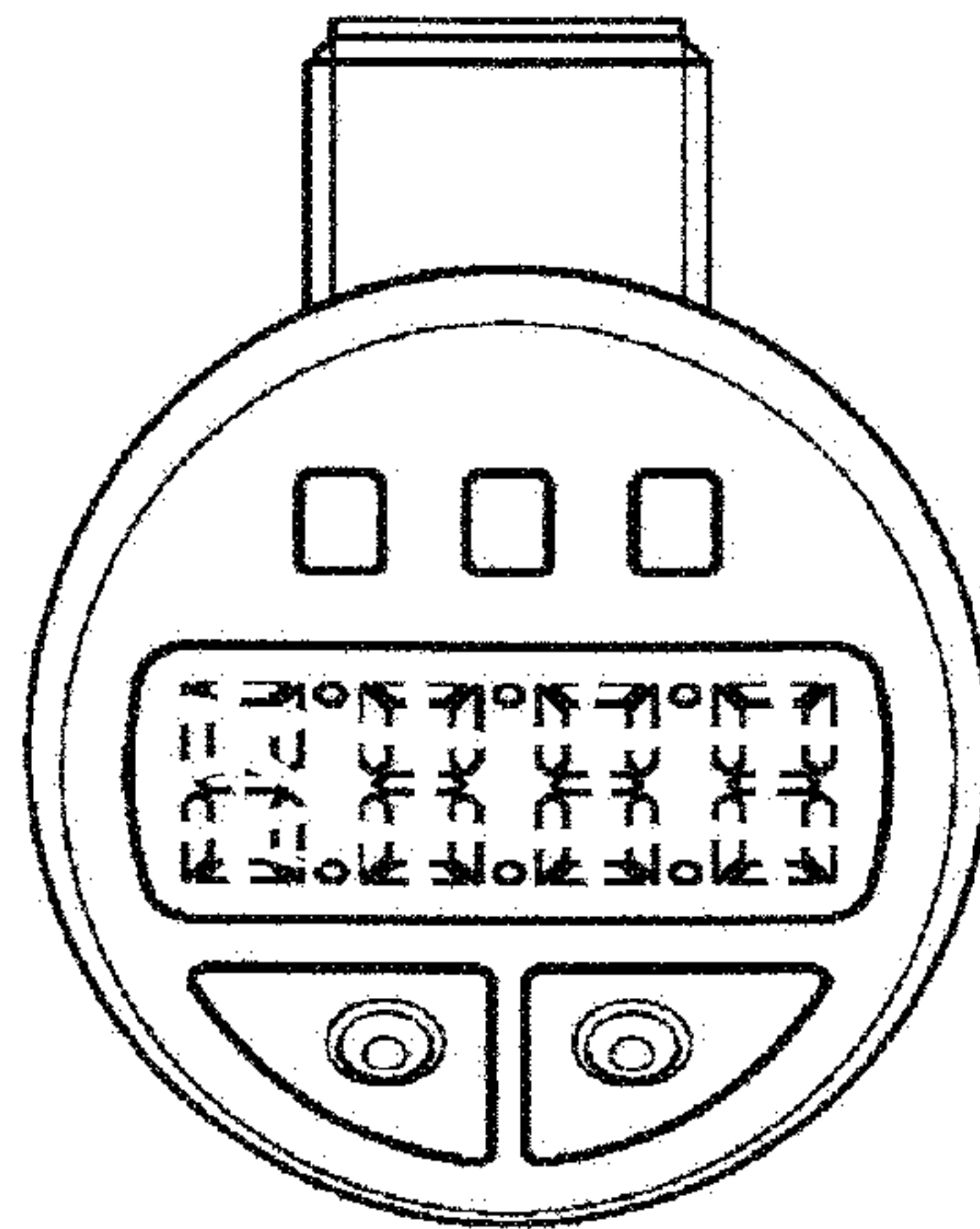


FIG.3C

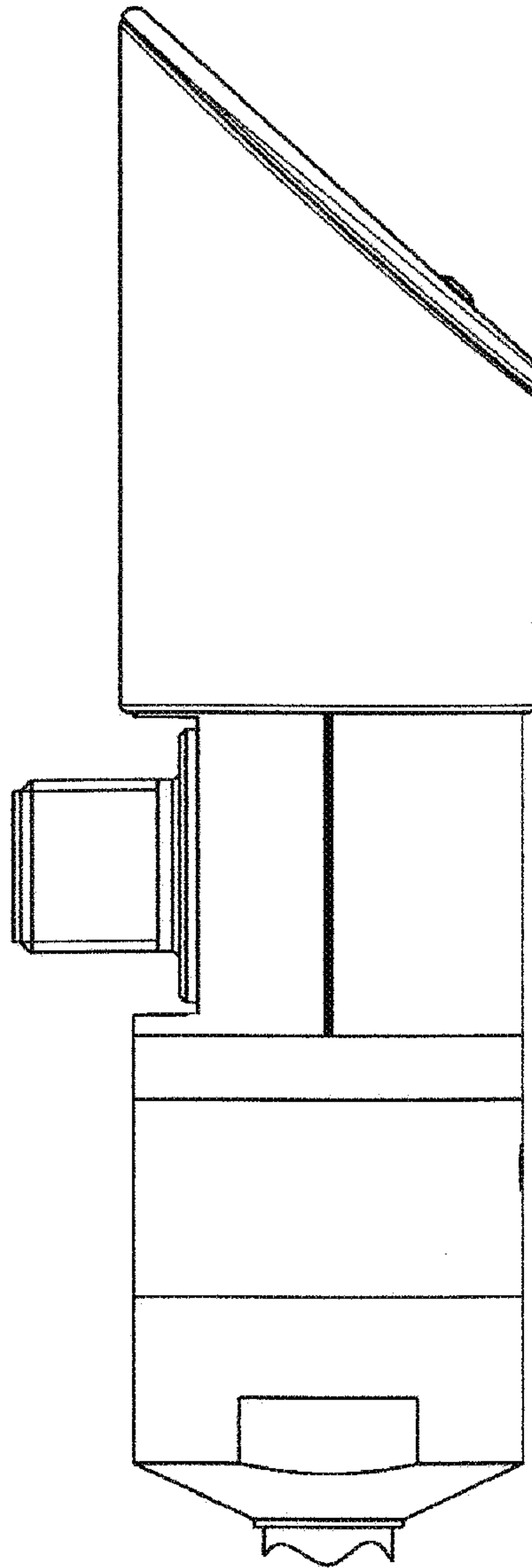


FIG.3D

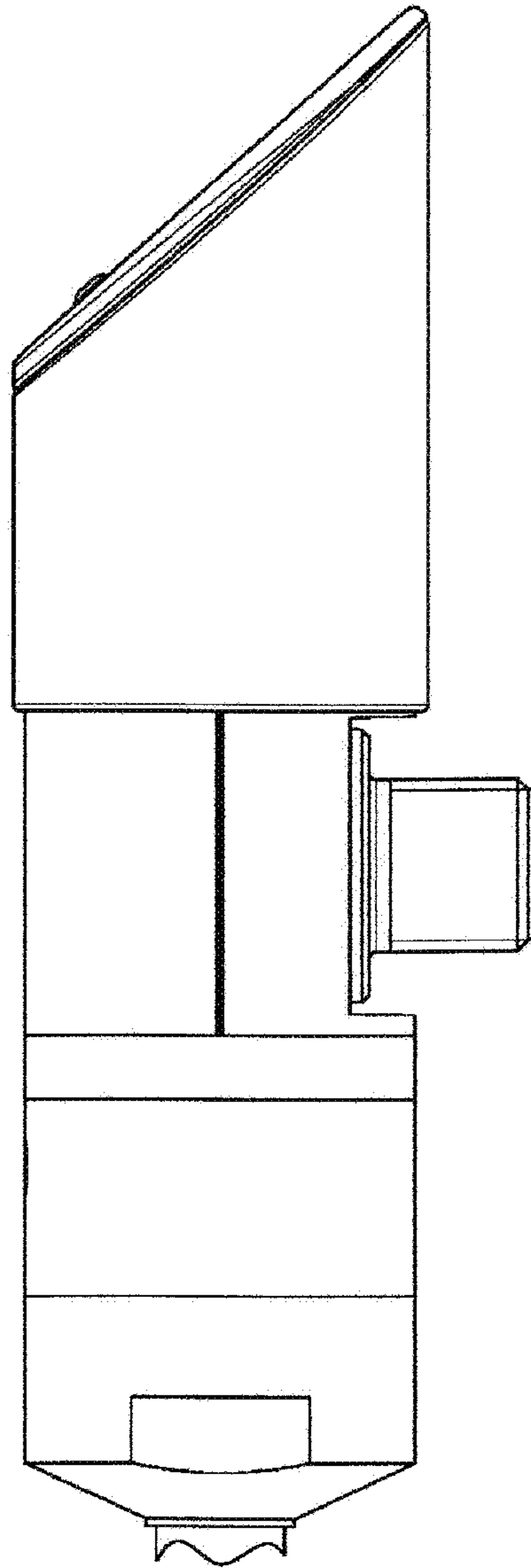


FIG.3E

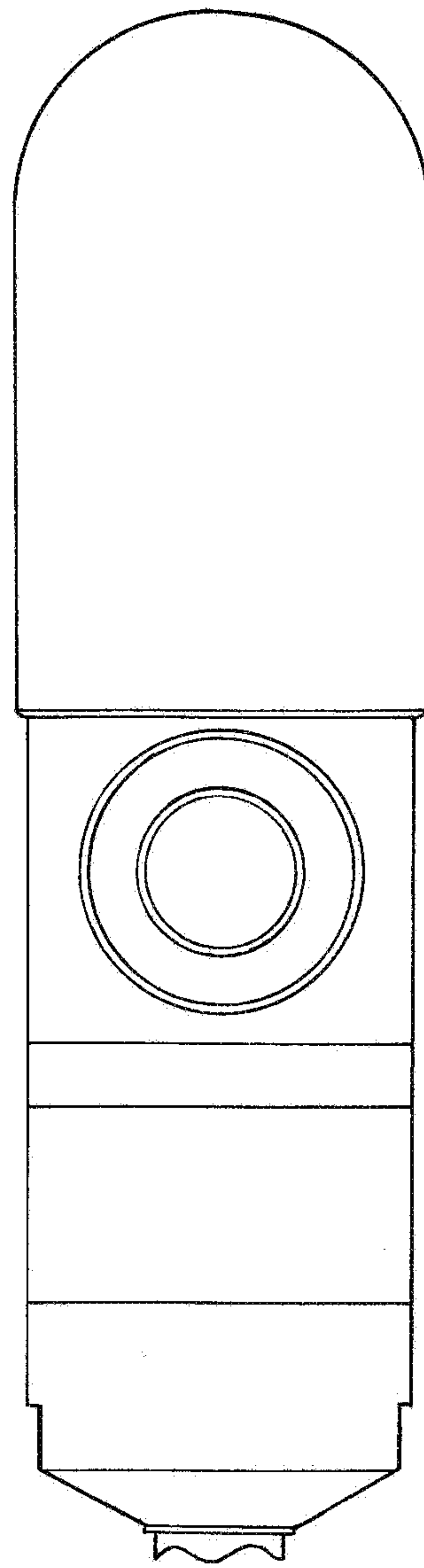


FIG.3F



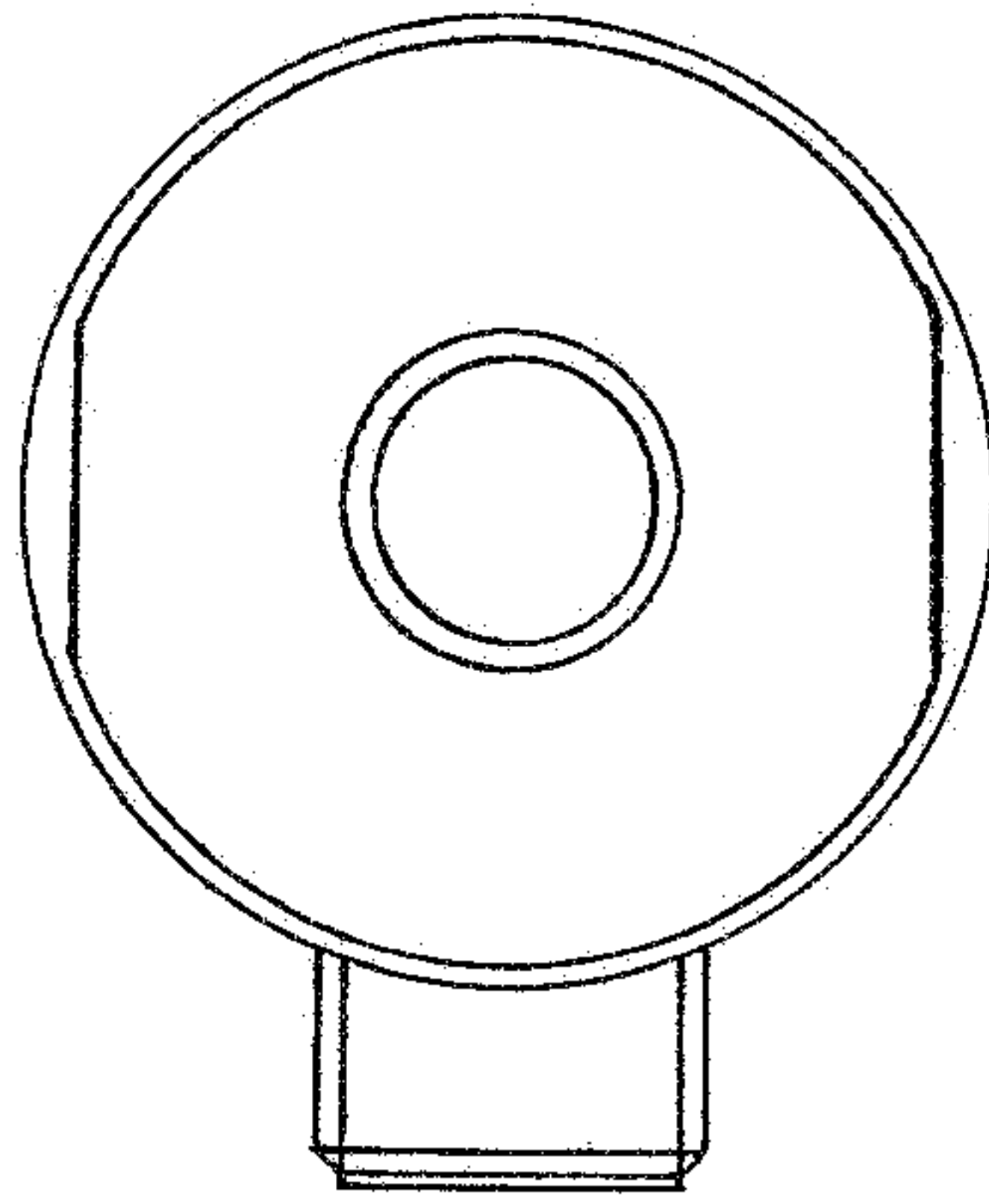


FIG.3G