



US00D724980S

(12) **United States Design Patent**
Nothacker et al.

(10) **Patent No.:** **US D724,980 S**
(45) **Date of Patent:** **** Mar. 24, 2015**

- (54) **BREATHALYZER**
- (71) Applicant: **KHN Solutions, Inc.**, San Francisco, CA (US)
- (72) Inventors: **Keith Harry Nothacker**, San Francisco, CA (US); **Imraan Aziz**, Oakland, CA (US); **Pauline Anne Basaran**, Corte Madera, CA (US); **Stacey Ilene Rettus**, Greenbrae, CA (US); **Michael Jurgen Strasser**, San Francisco, CA (US)
- (73) Assignee: **KHN Solutions, Inc.**, San Francisco, CA (US)
- (**) Term: **14 Years**
- (21) Appl. No.: **29/480,605**
- (22) Filed: **Jan. 28, 2014**
- (51) **LOC (10) Cl.** **10-04**
- (52) **U.S. Cl.**
USPC **D10/81**
- (58) **Field of Classification Search**
CPC A61B 5/083; A61B 5/087; A61B 5/0833; A61B 5/091; A61B 5/222; A61B 5/0002; A61B 5/02438; A61B 5/08; G01N 33/497; G01N 33/4972; G01N 33/483; G01N 33/98; G10L 17/00; Y10S 436/90
USPC D10/78, 81; D24/216, 232-234; 73/1.01, 1.02-1.08, 1.16, 19.01-19.02, 73/23.2-23.27, 23.3, 23.35-24.01, 52, 73/53.01, 61.52-61.61, 864.21, 431, 73/864.73, 31.03, 31.05, 866.5, 864.84, 73/864.23, 61.55, 863.01, 866, 864.62; 204/253, 400, 403.01, 403.02, 403.04, 204/403.05, 403.1, 403.11, 403.14; 205/775, 777.5, 778, 792; 210/656-660, 198.2, 635, 101, 103; 250/287, 282, 299, 252.1, 251, 250/281-300, 305, 336.1, 338.1, 338.5, 250/339.07, 339.13, 343, 349, 239, 910; 356/446, 246, 301-337, 451, 72, 73; 422/50-53, 62-82, 83-98, 239.2, 400, 422/401, 404; 435/4, 283.1-284.1, 286.5, 435/287.1, 287.2, 806, 13, 14, 287.4, 287.7, 435/287.94, 6.18; 436/43-54, 68, 900, 514,

436/530, 95; 600/300, 301, 309, 322, 345, 600/347, 365, 393, 578, 583, 584, 532, 600/543; 604/207, 503, 65, 66, 67, 182; 702/19, 40; 221/65, 135; 235/451, 235/422.01; 95/87; 96/101, 106; 366/286, 366/207

See application file for complete search history.

(56) **References Cited**

U.S. PATENT DOCUMENTS

4,487,055	A	12/1984	Wolf	
4,996,161	A	2/1991	Conners et al.	
D333,441	S	2/1993	Greene	
D362,642	S	9/1995	Howse	
D381,885	S	8/1997	Lane	
6,454,723	B1	9/2002	Montagnino	
6,824,520	B2	11/2004	Orr et al.	
6,899,683	B2	5/2005	Mault et al.	
D521,885	S	5/2006	Eddy et al.	
D530,424	S	10/2006	Manser et al.	
D539,683	S	4/2007	Shaw et al.	
D539,684	S	4/2007	Kitamura et al.	
D603,281	S *	11/2009	Gonzalez	D10/81
D705,100	S *	5/2014	Nothacker et al.	D10/81
2006/0217625	A1	9/2006	Forrester	
2007/0093725	A1	4/2007	Shaw	
2007/0144812	A1	6/2007	Stewart et al.	
2010/0234064	A1	9/2010	Harris, Jr.	
2011/0304465	A1	12/2011	Boult et al.	

* cited by examiner

Primary Examiner — Antoine D Davis

(74) *Attorney, Agent, or Firm* — Jeffrey Schox; Ivan Wong

(57) **CLAIM**

The ornamental design for a breathalyzer, as shown and described.

DESCRIPTION

FIG. 1 is an isometric view, from the front right, of the breathalyzer;

FIG. 2 is an isometric view, from the back left, of the breathalyzer;

FIG. 3 is a plan view of the top of the breathalyzer;

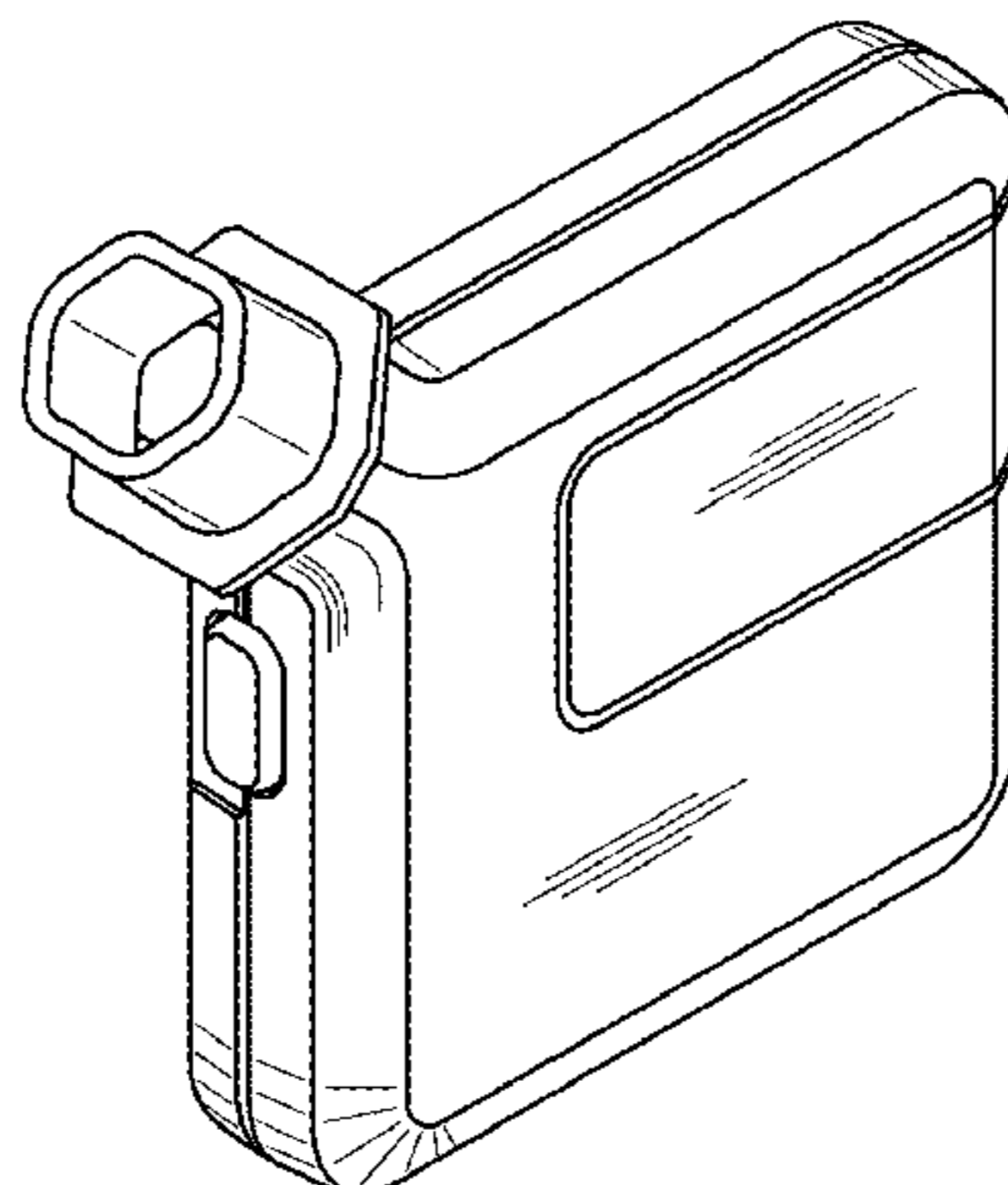


FIG. 4 is an elevation view of the right side of the breathalyzer;

FIG. 5 is an elevation view of the back of the breathalyzer;

FIG. 6 is an elevation view of the left side of the breathalyzer;

FIG. 7 is an elevation view of the front of the breathalyzer;

FIG. 8 is a plan view of the bottom of the breathalyzer;

FIG. 9 is an isometric view, from the front right, of the breathalyzer, including a removable mouth piece;

FIG. 10 is an isometric view, from the back left, of the breathalyzer, including a removable mouth piece;

FIG. 11 is a plan view of the top of the breathalyzer, including a removable mouth piece;

FIG. 12 is an elevation view of the right side of the breathalyzer, including a removable mouth piece;

FIG. 13 is an elevation view of the back of the breathalyzer, including a removable mouth piece;

FIG. 14 is an elevation view of the left side of the breathalyzer, including a removable mouth piece;

FIG. 15 is an elevation view of the front of the breathalyzer, including a removable mouth piece; and,

FIG. 16 is a plan view of the bottom of the breathalyzer, including a removable mouth piece.

1 Claim, 6 Drawing Sheets

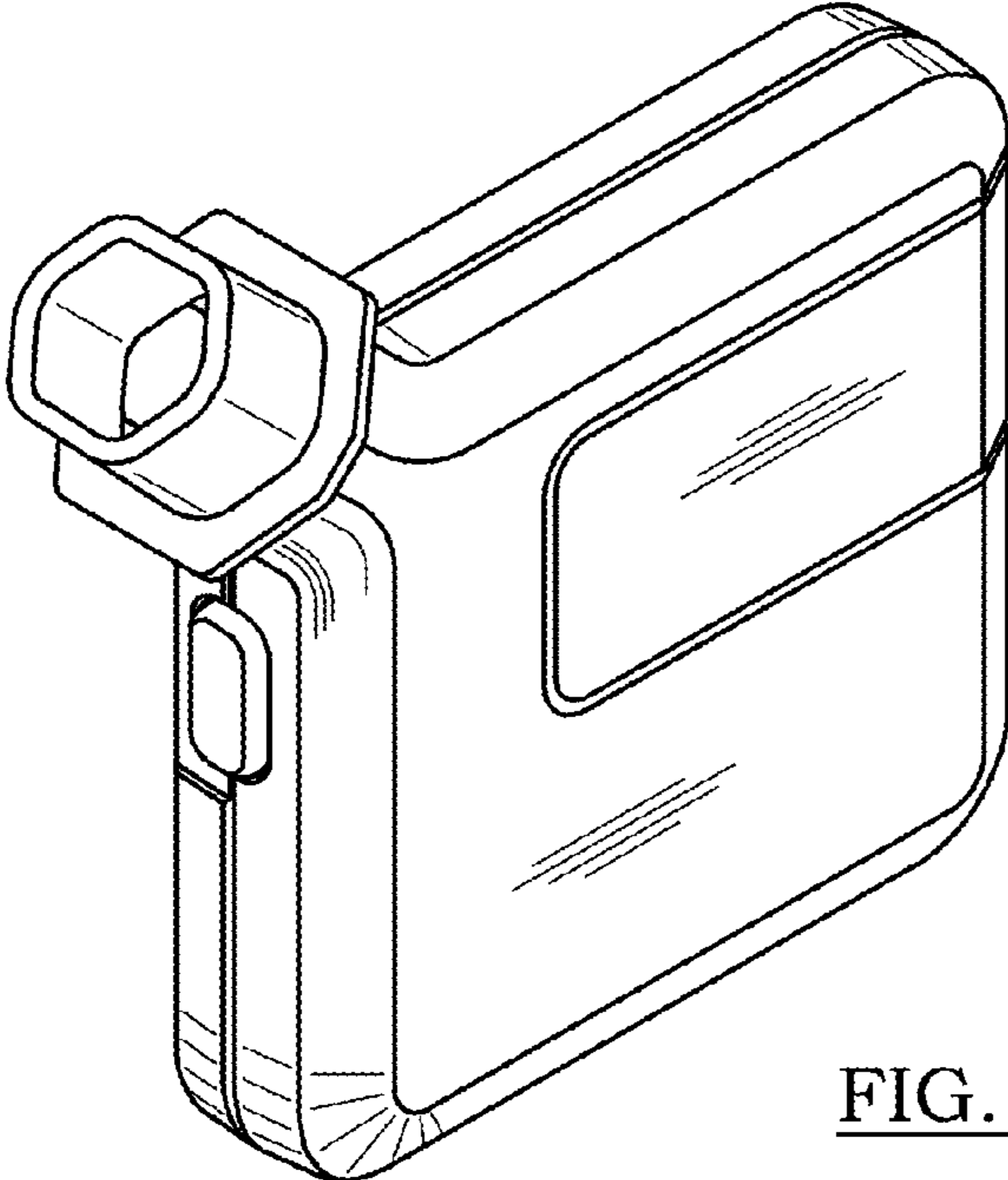


FIG. 1

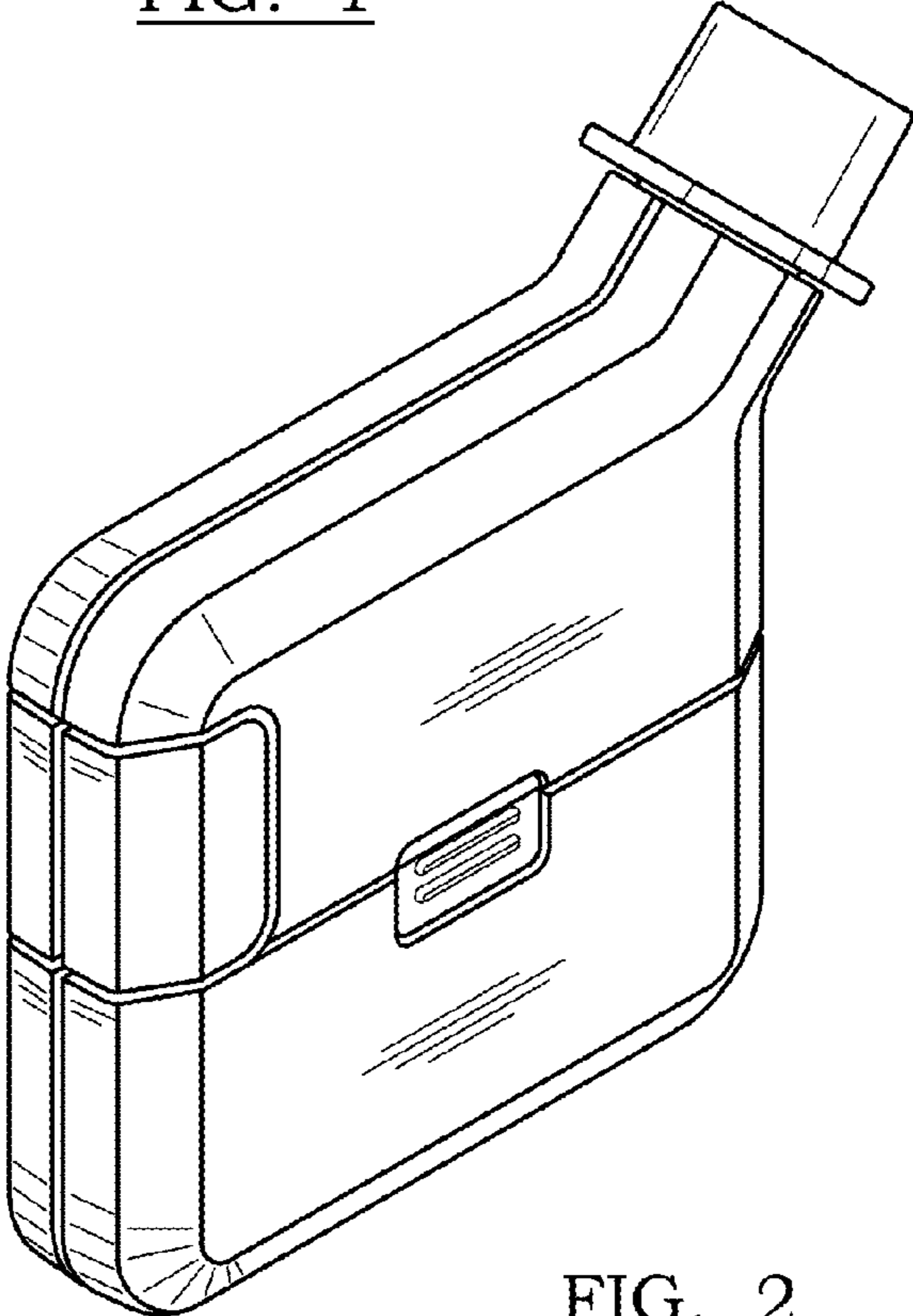


FIG. 2

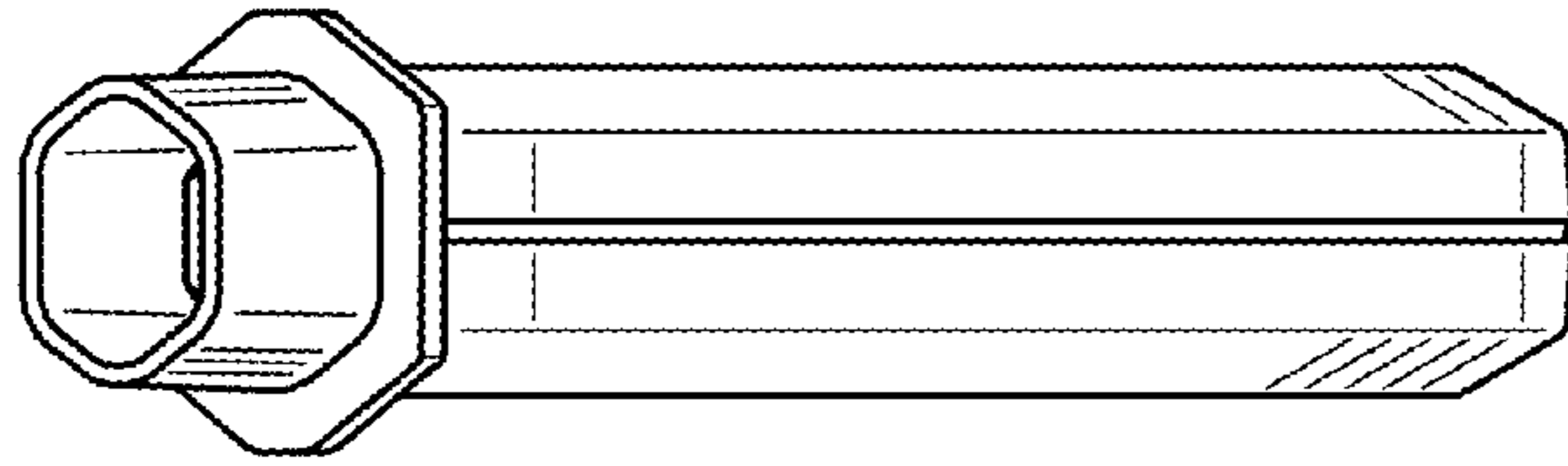


FIG. 3

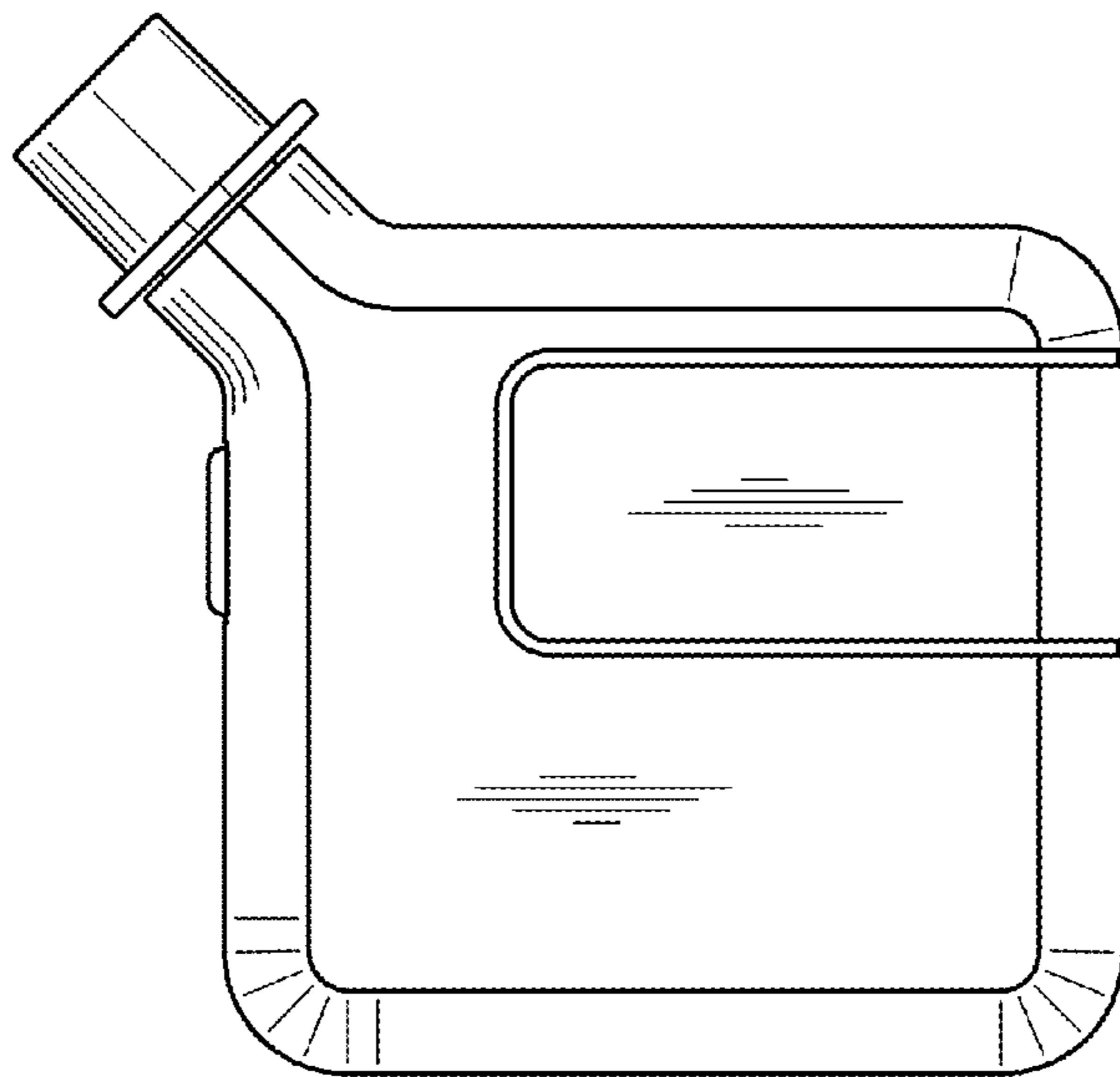


FIG. 4

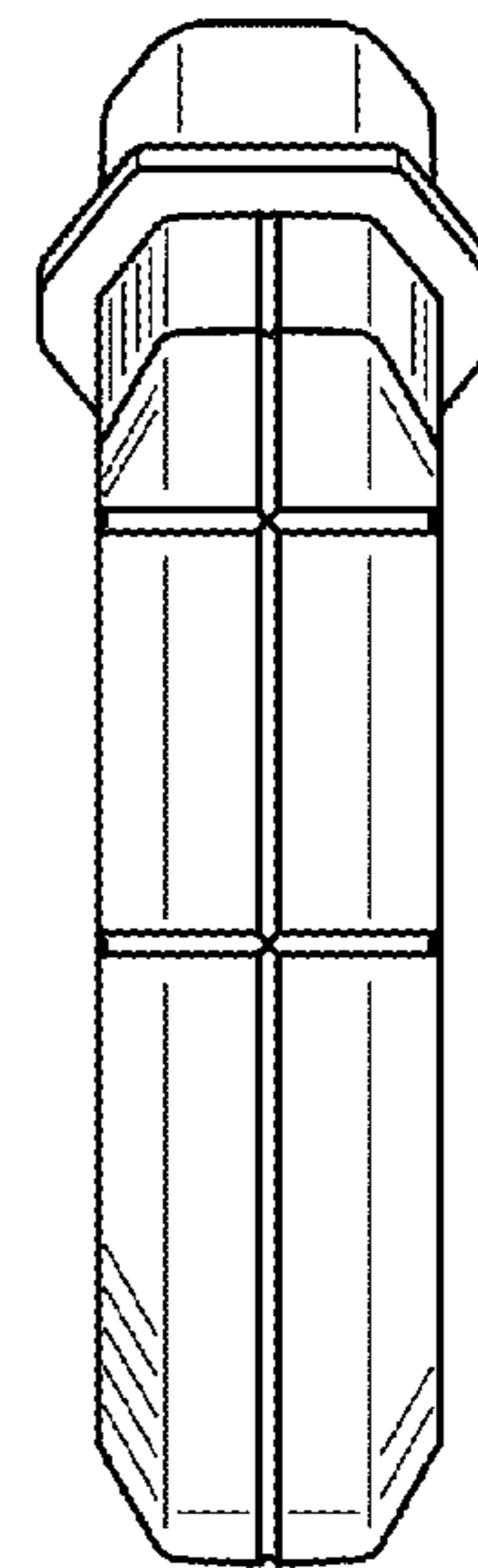


FIG. 5

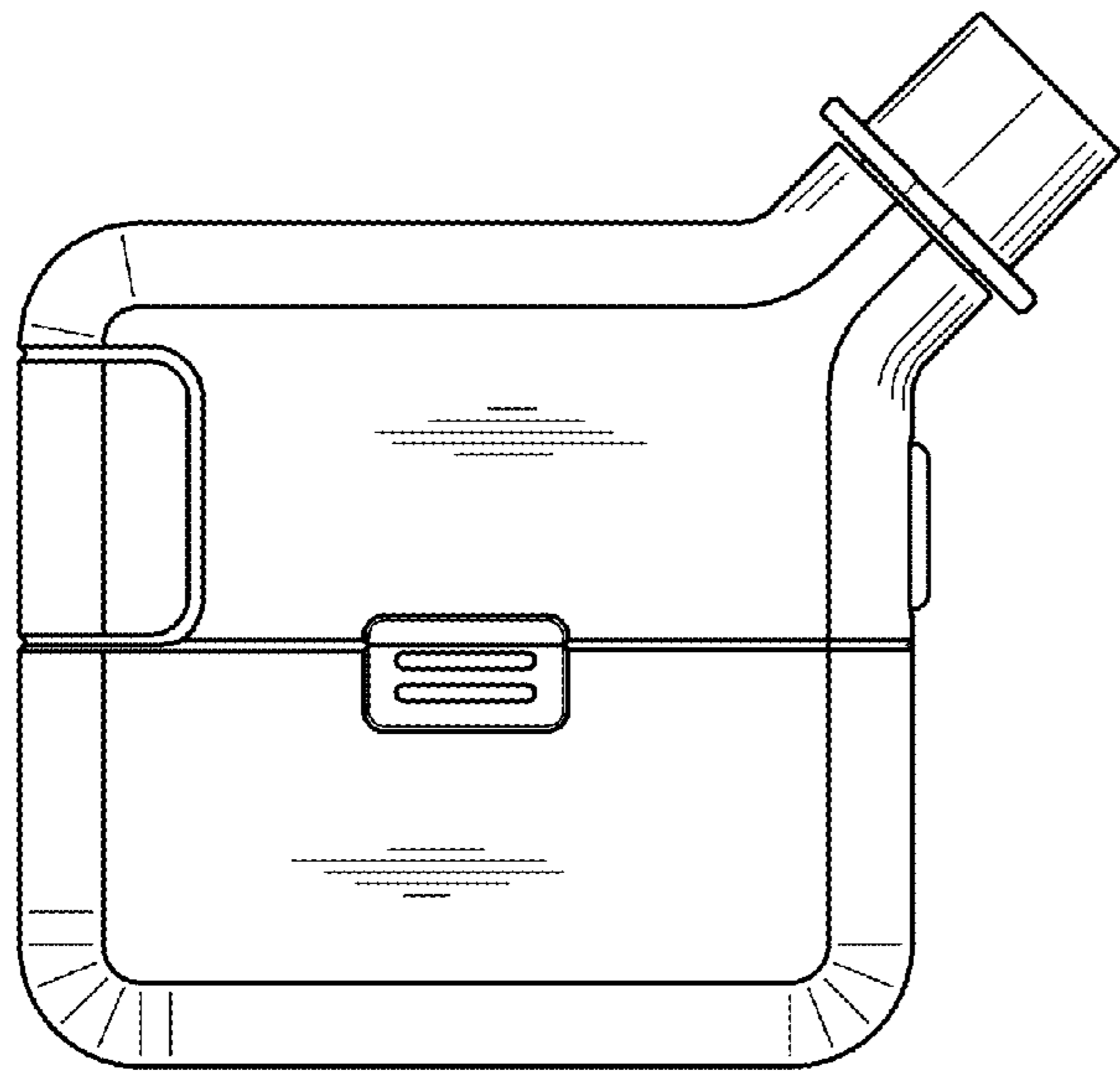


FIG. 6

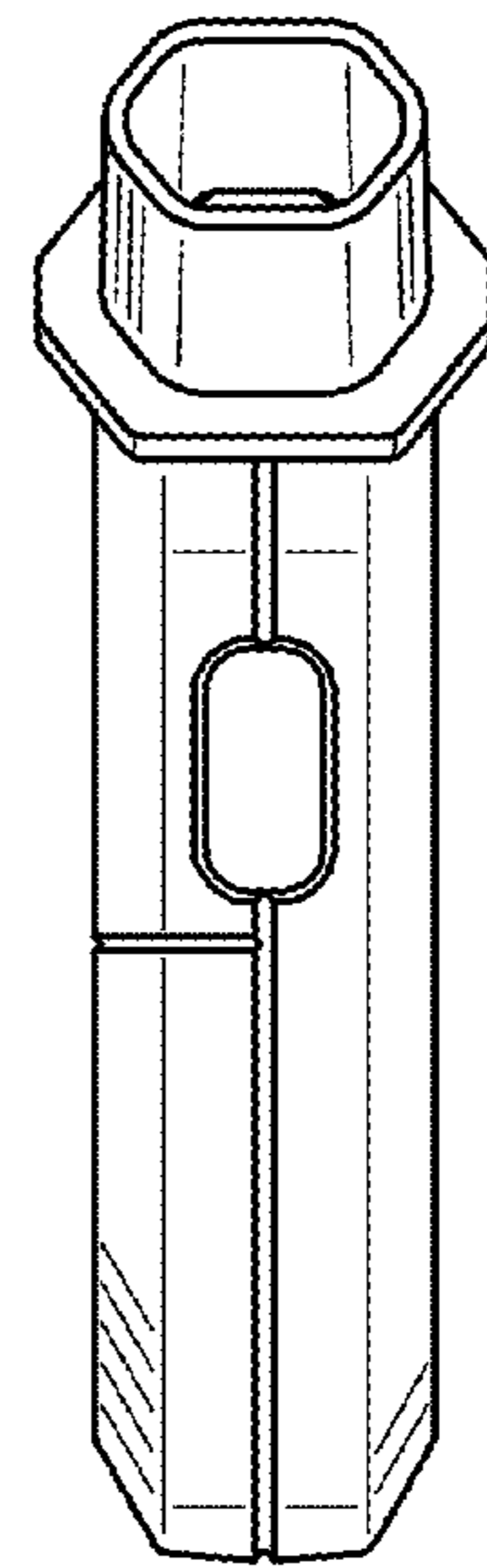


FIG. 7

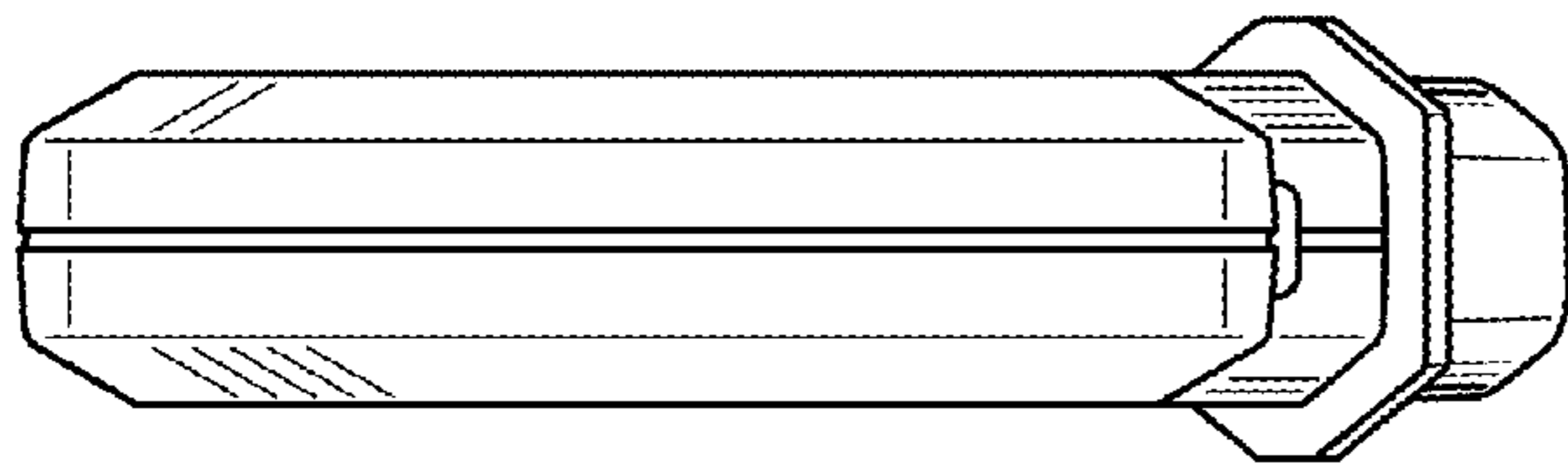


FIG. 8

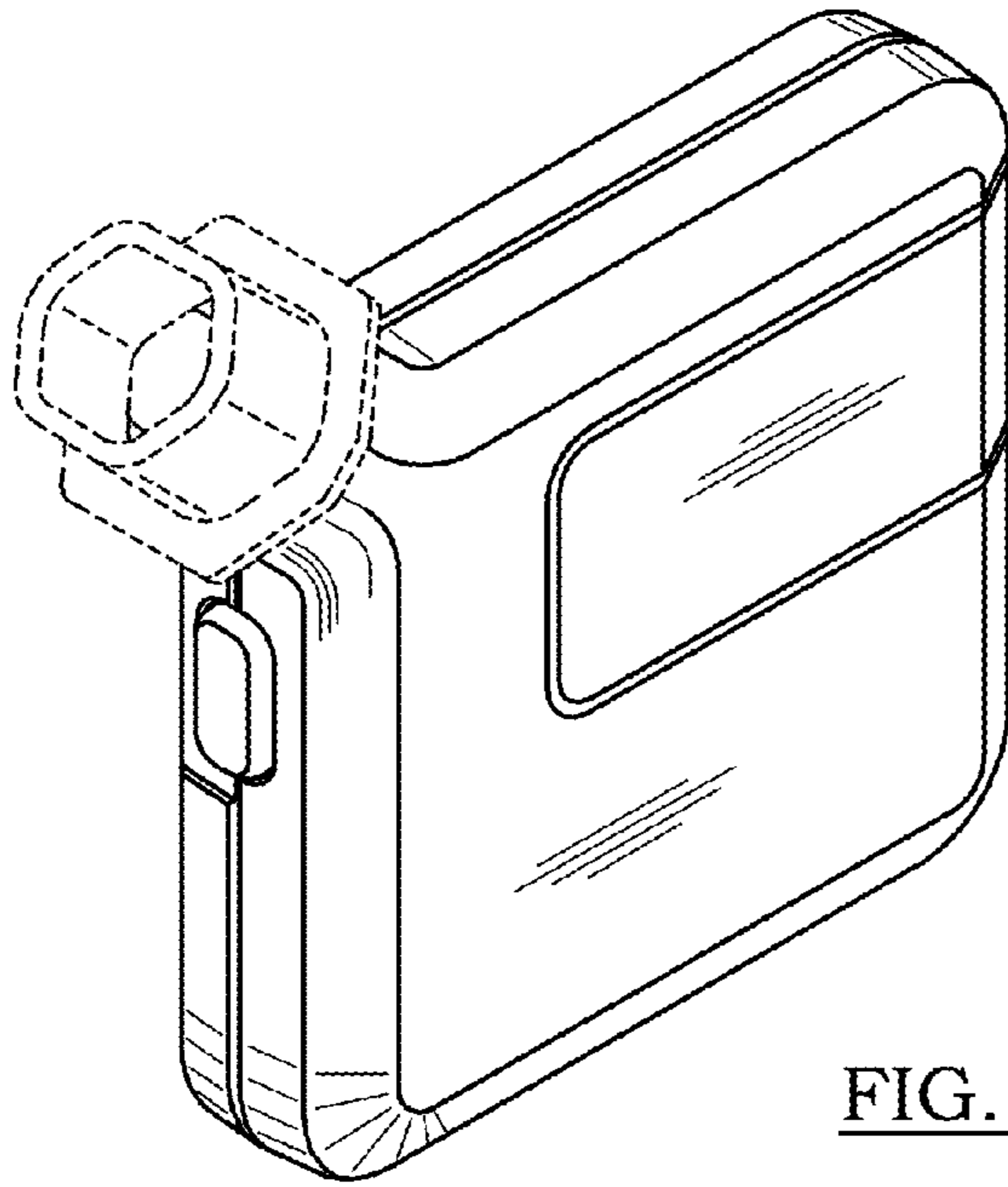


FIG. 9

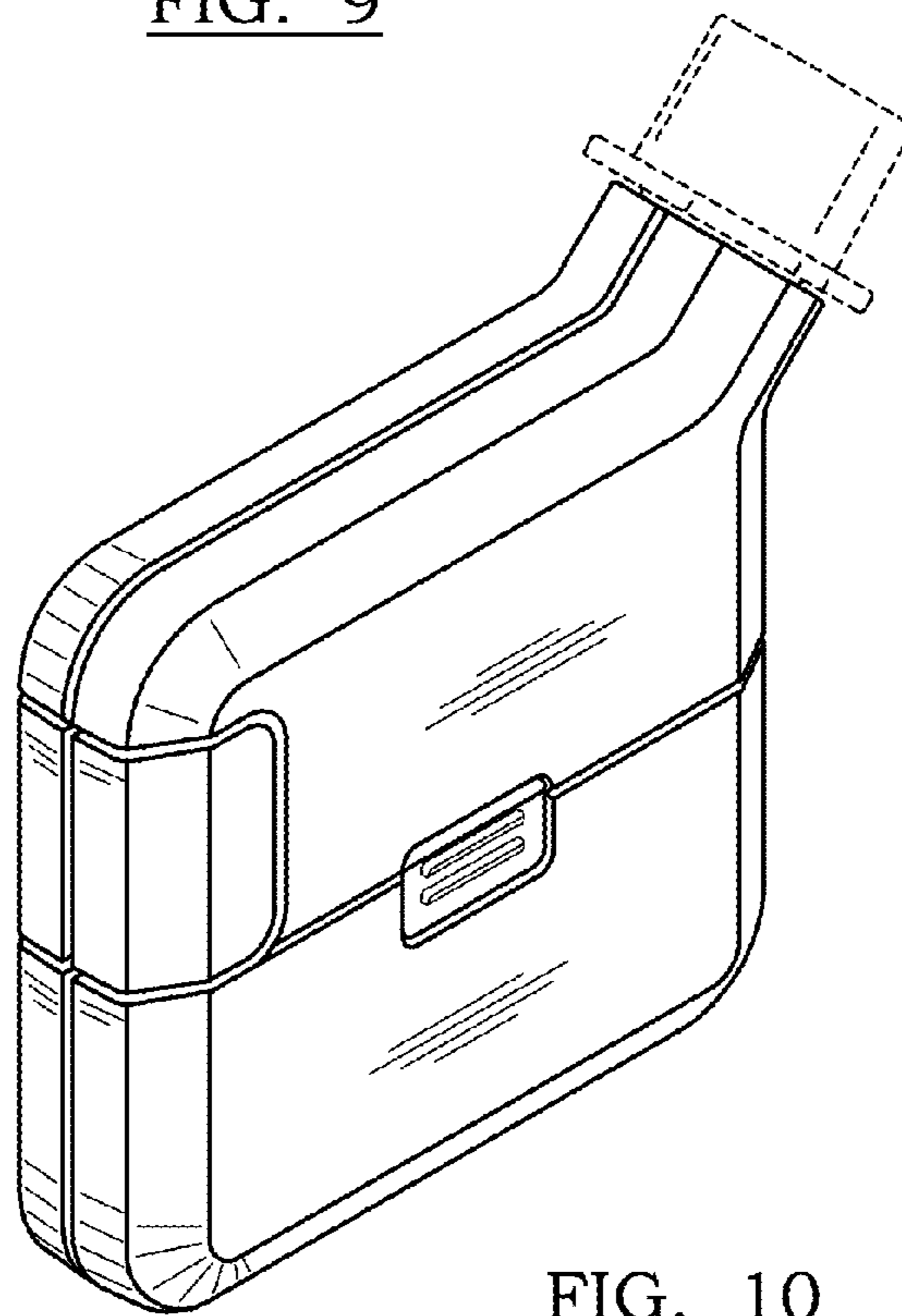


FIG. 10

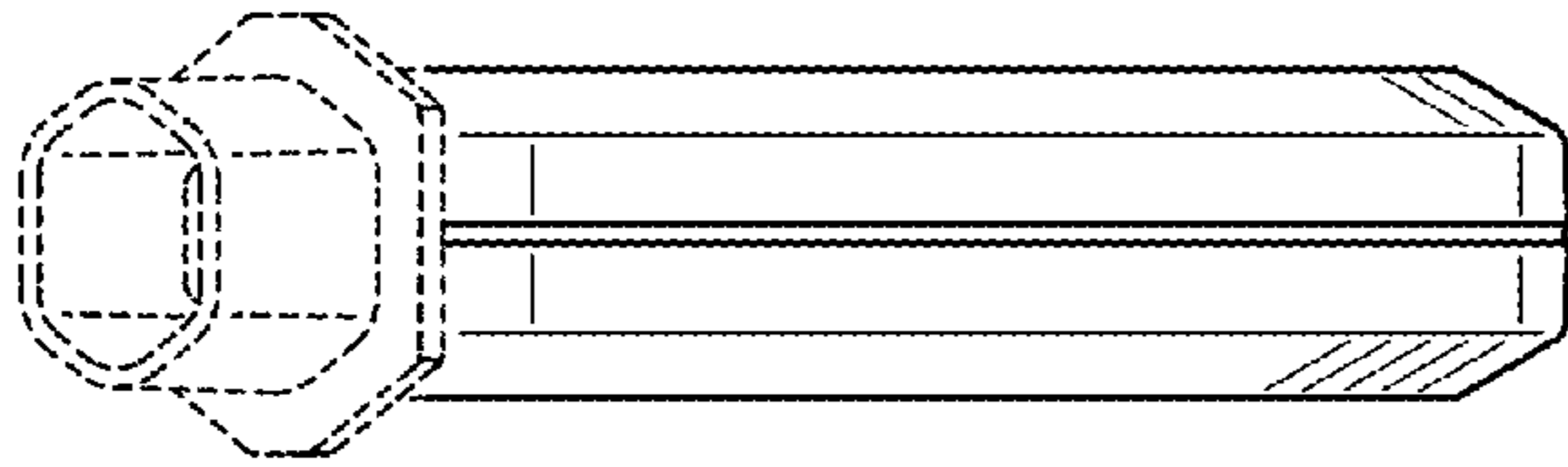


FIG. 11

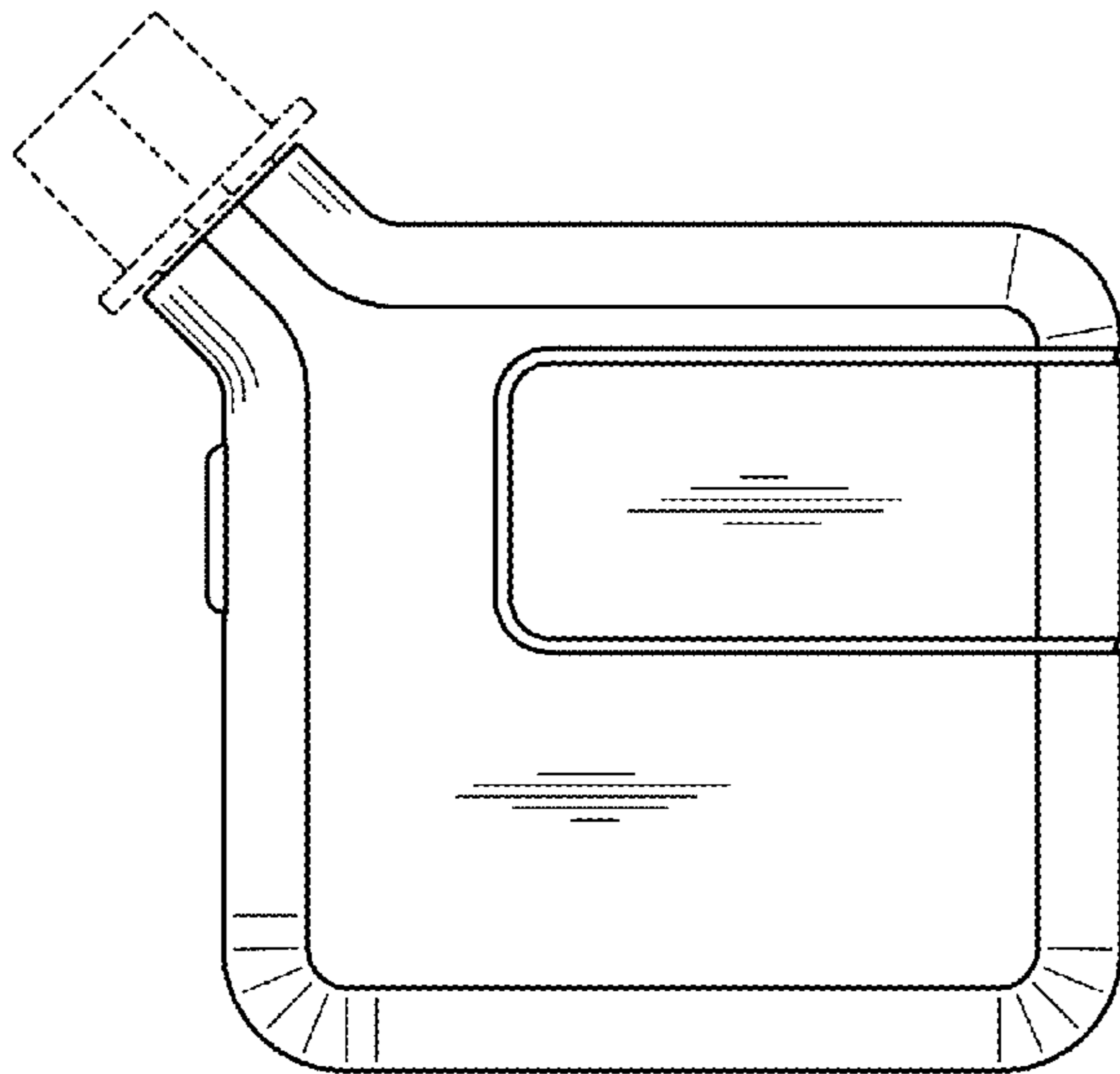


FIG. 12

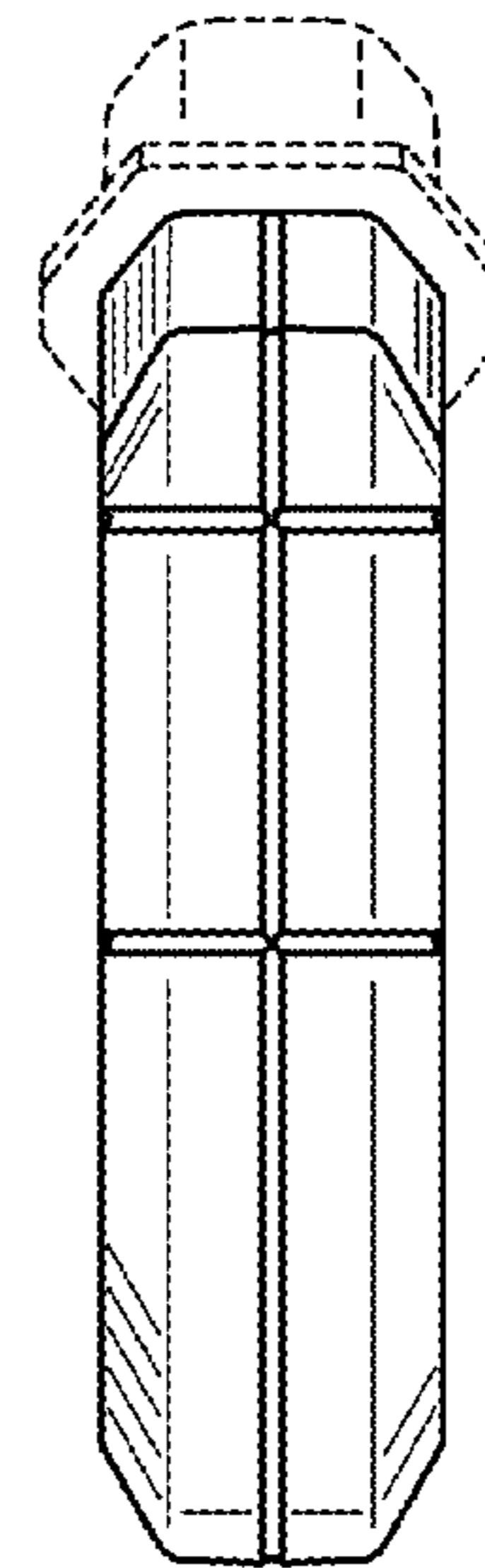


FIG. 13

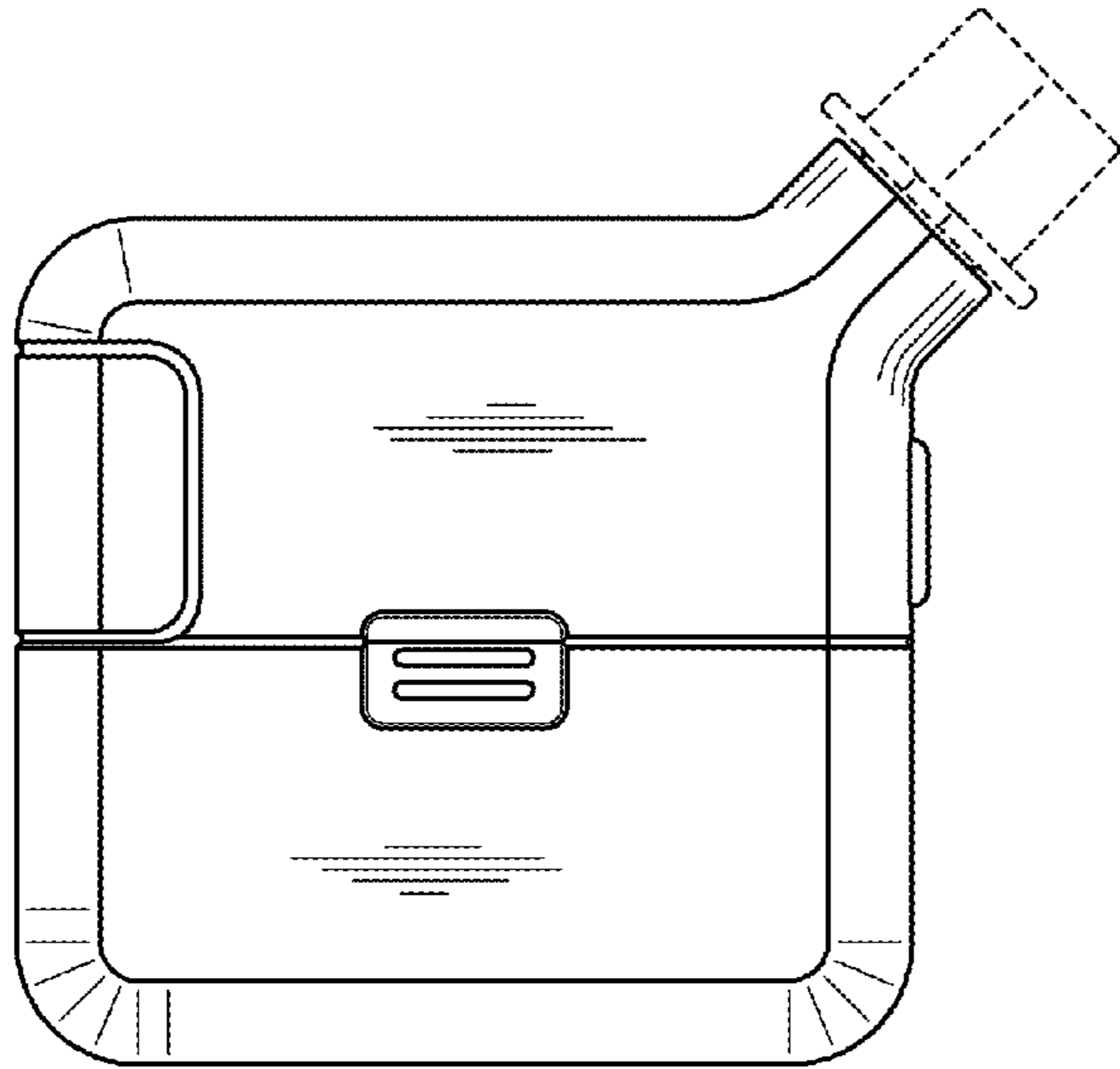


FIG. 14

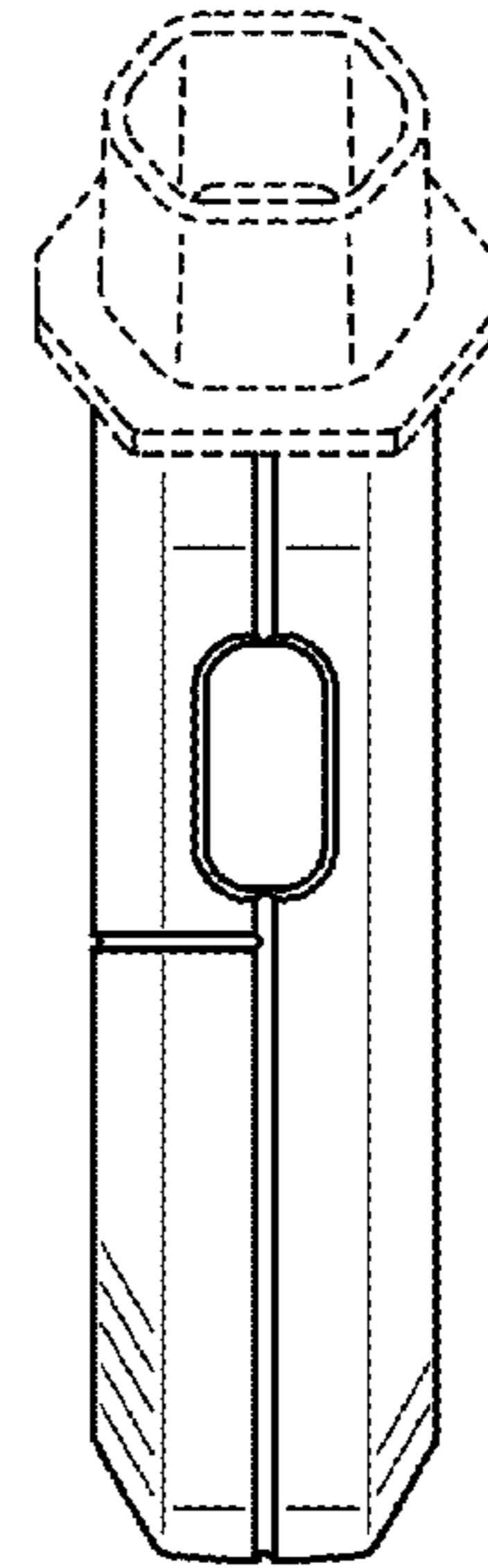


FIG. 15

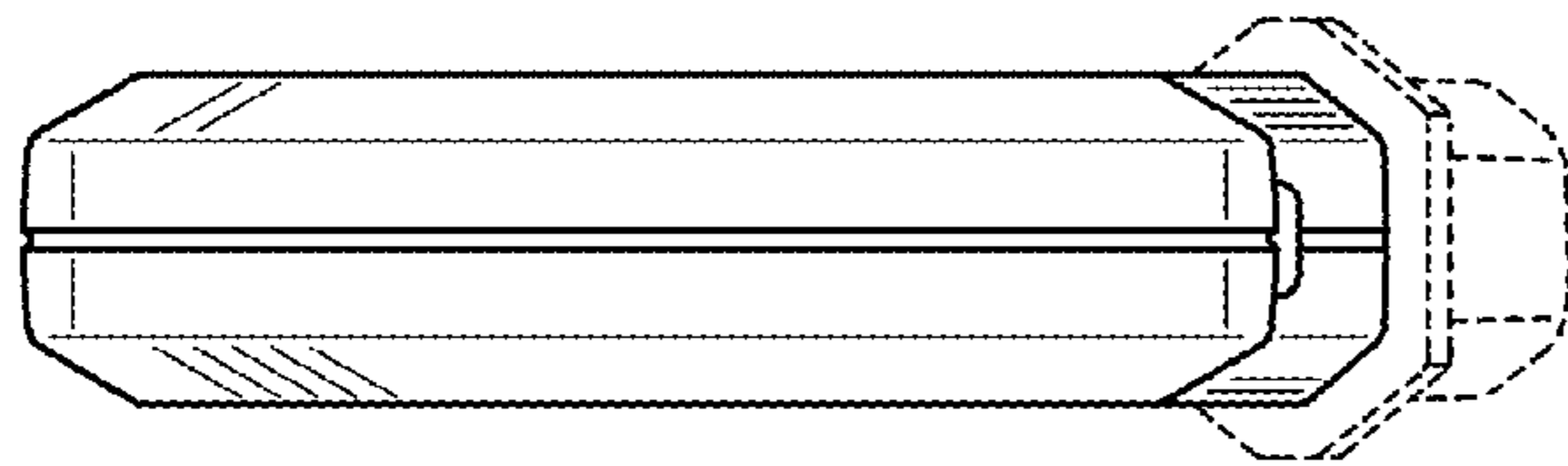


FIG. 16