



US00D724979S

(12) **United States Design Patent**
Hurzook et al.

(10) **Patent No.:** **US D724,979 S**
(45) **Date of Patent:** **** Mar. 24, 2015**

(54) **BREATH ALCOHOL TESTER**

(71) Applicant: **Alcohol Countermeasure Systems (International) Inc.**, Toronto (CA)

(72) Inventors: **Feisal Hurzook**, Scarborough (CA);
Ling Feng Zhang, Mississauga (CA);
Muc Dang, Burlington (CA)

(73) Assignee: **Alcohol Countermeasure Systems (International) Inc.**, Toronto (CA)

(**) Term: **14 Years**

(21) Appl. No.: **29/480,279**

(22) Filed: **Jan. 24, 2014**

(30) **Foreign Application Priority Data**

Jul. 24, 2013 (CA) 152245

(51) **LOC (10) Cl.** **10-04**

(52) **U.S. Cl.**
USPC **D10/81**

(58) **Field of Classification Search**
CPC A61B 5/083; A61B 5/087; A61B 5/0833;
A61B 5/091; A61B 5/222; A61B 5/0002;
A61B 5/02438; A61B 5/08; G01N 33/497;
G01N 33/4972; G01N 33/483; G01N 33/98;
G10L 17/00; Y10S 436/90
USPC D10/78, 81; D24/216, 232–234;
73/1.01, 1.02–1.08, 1.16, 19.01–19.02,
73/23.2–23.27, 23.3, 23.35–24.01, 52,
73/53.01, 61.52–61.61, 864.21, 431,
73/864.73, 31.03, 31.05, 866.5, 864.84,
73/864.23, 61.55, 863.01, 866, 864.62;
204/253, 400, 403.01, 403.02, 403.04,
204/403.05, 403.1, 403.11, 403.14;
205/775, 777.5, 778, 792;
210/656–660, 198.2, 635, 101, 103;
250/252.1, 251, 25, 281–300, 305,
250/336.1, 338.1, 338.5, 339.07, 339.13,
250/343, 349, 239, 910; 356/446, 246,
356/301–337, 451, 72, 73; 422/50–53,

422/62–82, 83–98, 239.2, 400, 401, 404;
435/4, 283.1–284.1, 286.5, 287.1,
435/287.2, 806, 13, 14, 287.4, 287.7,
435/287.94, 6.18; 436/43–54, 68, 900, 514,
436/530, 95; 600/300, 301, 309, 322, 345,
600/347, 365, 393, 578, 583, 584, 532,
600/543; 604/207, 503, 65, 66, 67, 182;
702/19, 40; 221/65, 135; 235/451,
235/422.01

See application file for complete search history.

(56) **References Cited**

U.S. PATENT DOCUMENTS

D631,968 S * 2/2011 Sevel D10/81
D644,544 S * 9/2011 Yukikado D10/81
D683,642 S * 6/2013 Buesser et al. D10/81
D692,788 S * 11/2013 Silverman et al. D10/81

* cited by examiner

Primary Examiner — Antoine D Davis

(74) *Attorney, Agent, or Firm* — Lipsitz & McAllister, LLC

(57) **CLAIM**

The ornamental design for a breath alcohol tester, as shown and described.

DESCRIPTION

FIG. 1 is a front, right perspective view of the breath alcohol tester showing a first embodiment of the new design;
FIG. 2 is a front elevational view of the breath alcohol tester of the first embodiment;
FIG. 3 is a rear elevational view of the breath alcohol tester of the first embodiment;
FIG. 4 is a top plan view of the breath alcohol tester of the first embodiment;
FIG. 5 is a bottom plan view of the breath alcohol tester of the first embodiment;
FIG. 6 is a left side elevational view of the breath alcohol tester of the first embodiment;
FIG. 7 is a right side elevational view of the breath alcohol tester of the first embodiment;

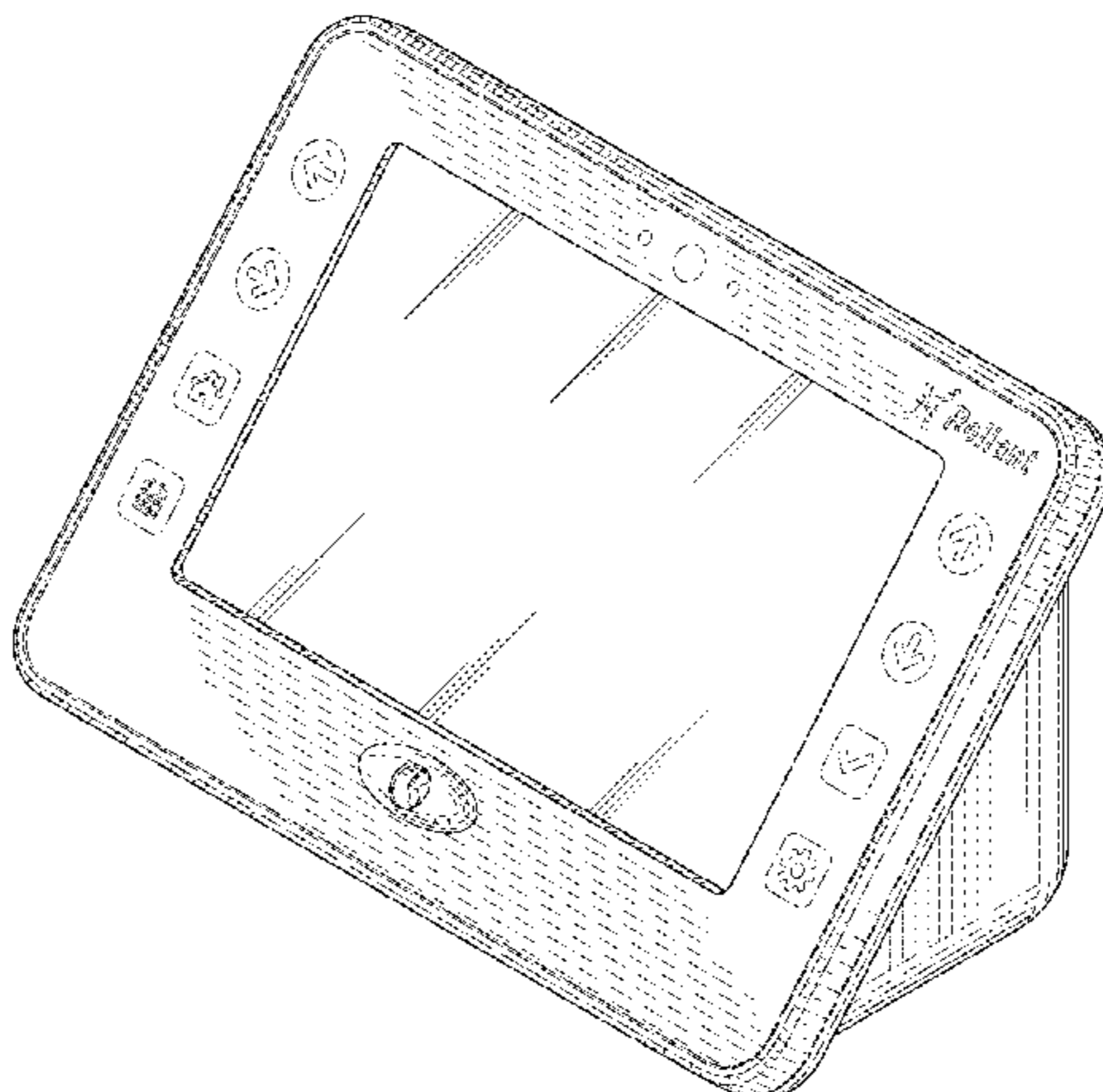


FIG. 8 is a front, right perspective view of the breath alcohol tester showing a second embodiment of the new design;
FIG. 9 is a front elevational view of the breath alcohol tester of the second embodiment;
FIG. 10 is a rear elevational view of the breath alcohol tester of the second embodiment;
FIG. 11 is a top plan view of the breath alcohol tester of the second embodiment;
FIG. 12 is a bottom plan view of the breath alcohol tester of the second embodiment;
FIG. 13 is a left side elevational view of the breath alcohol tester of the second embodiment;
FIG. 14 is a right side elevational view of the breath alcohol tester of the second embodiment;
FIG. 15 is a front, right perspective view of the breath alcohol tester showing a third embodiment of the new design;
FIG. 16 is a front elevational view of the breath alcohol tester of the third embodiment;
FIG. 17 is a rear elevational view of the breath alcohol tester of the third embodiment;
FIG. 18 is a top plan view of the breath alcohol tester of the third embodiment;

FIG. 19 is a bottom plan view of the breath alcohol tester of the third embodiment;
FIG. 20 is a left side elevational view of the breath alcohol tester of the third embodiment;
FIG. 21 is a right side view of the breath alcohol tester of the third embodiment;
FIG. 22 is a front, right perspective view of the breath alcohol tester showing a fourth embodiment of the new design;
FIG. 23 is a front elevational view of the breath alcohol tester of the fourth embodiment;
FIG. 24 is a rear elevational view of the breath alcohol tester of the fourth embodiment;
FIG. 25 is a top plan view of the breath alcohol tester of the fourth embodiment;
FIG. 26 is a bottom plan view of the breath alcohol tester of the fourth embodiment;
FIG. 27 is a left side elevational view of the breath alcohol tester of the fourth embodiment; and,
FIG. 28 is a right side elevational view of the breath alcohol tester of the fourth embodiment.
The broken line showing of various elements in the drawings forms no part of the claimed design.

1 Claim, 16 Drawing Sheets

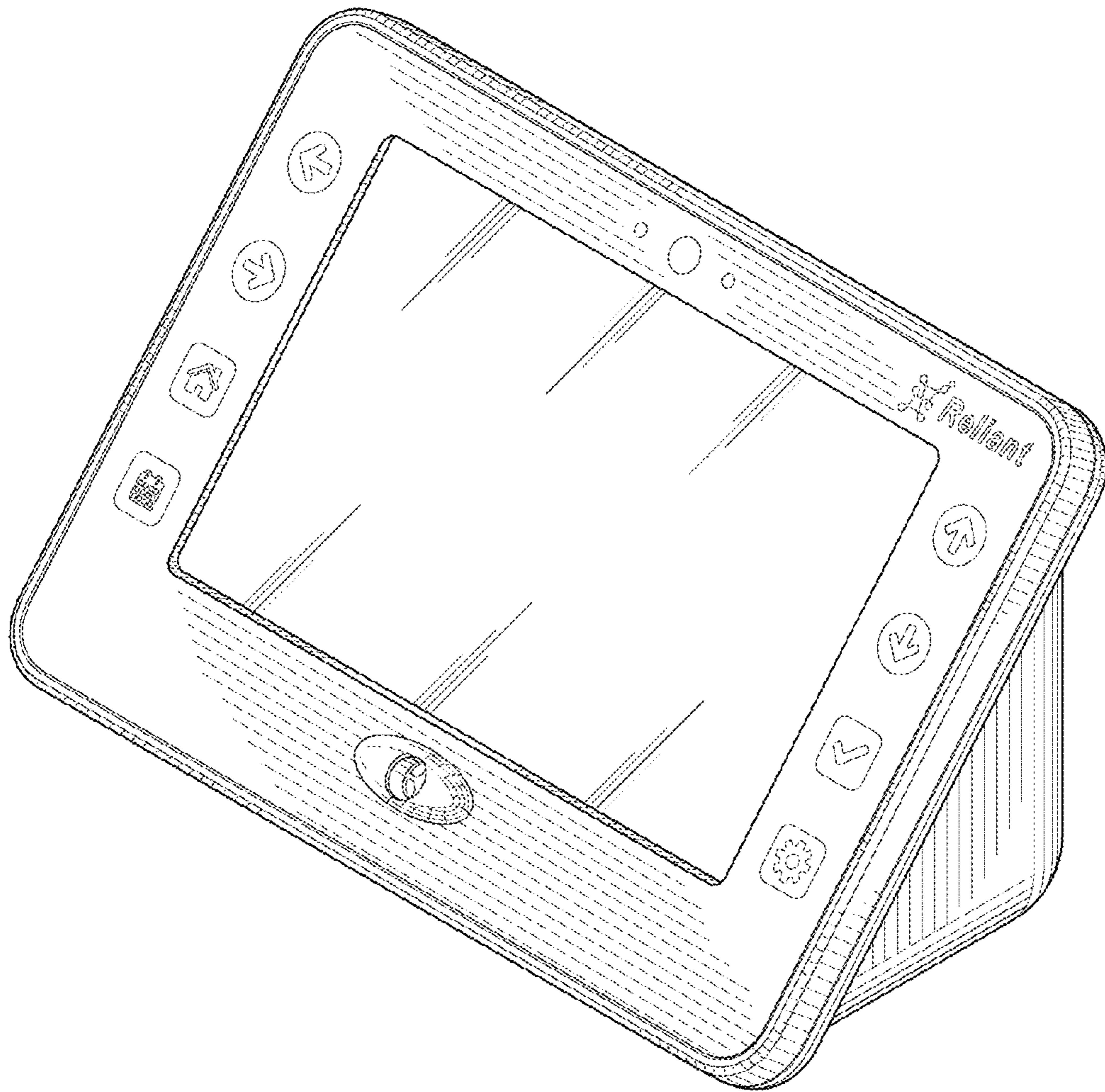


FIG.1

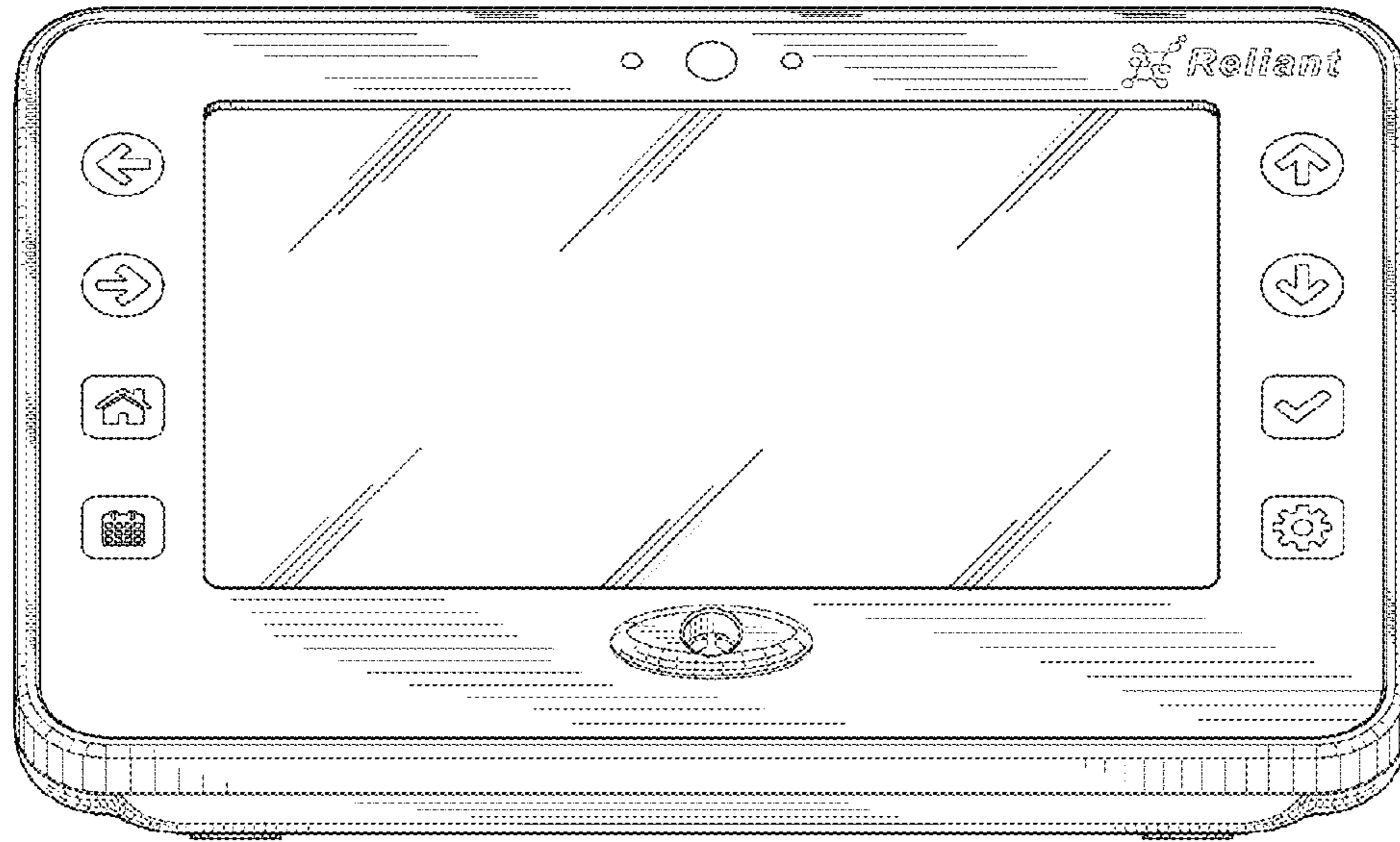


FIG. 2

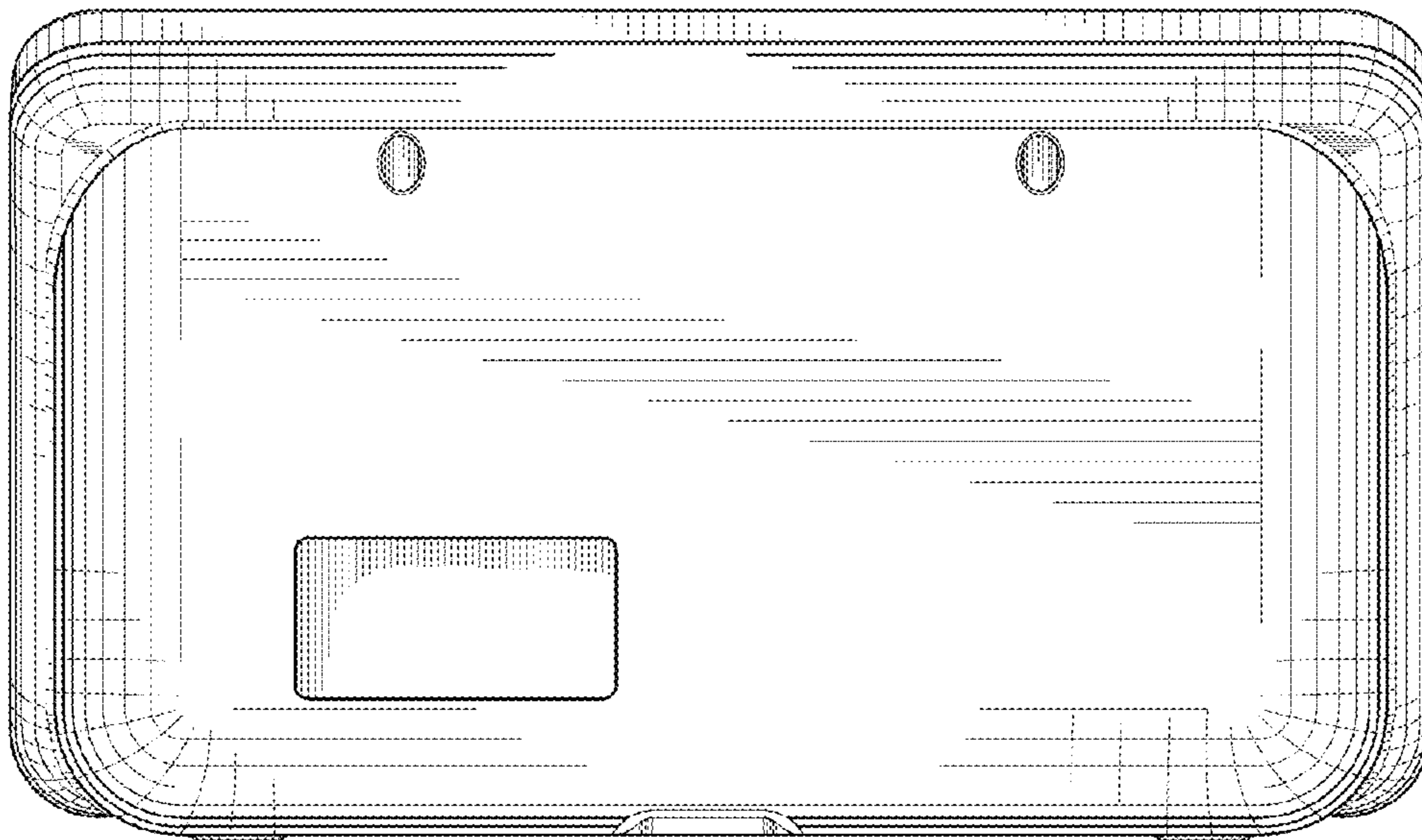


FIG. 3

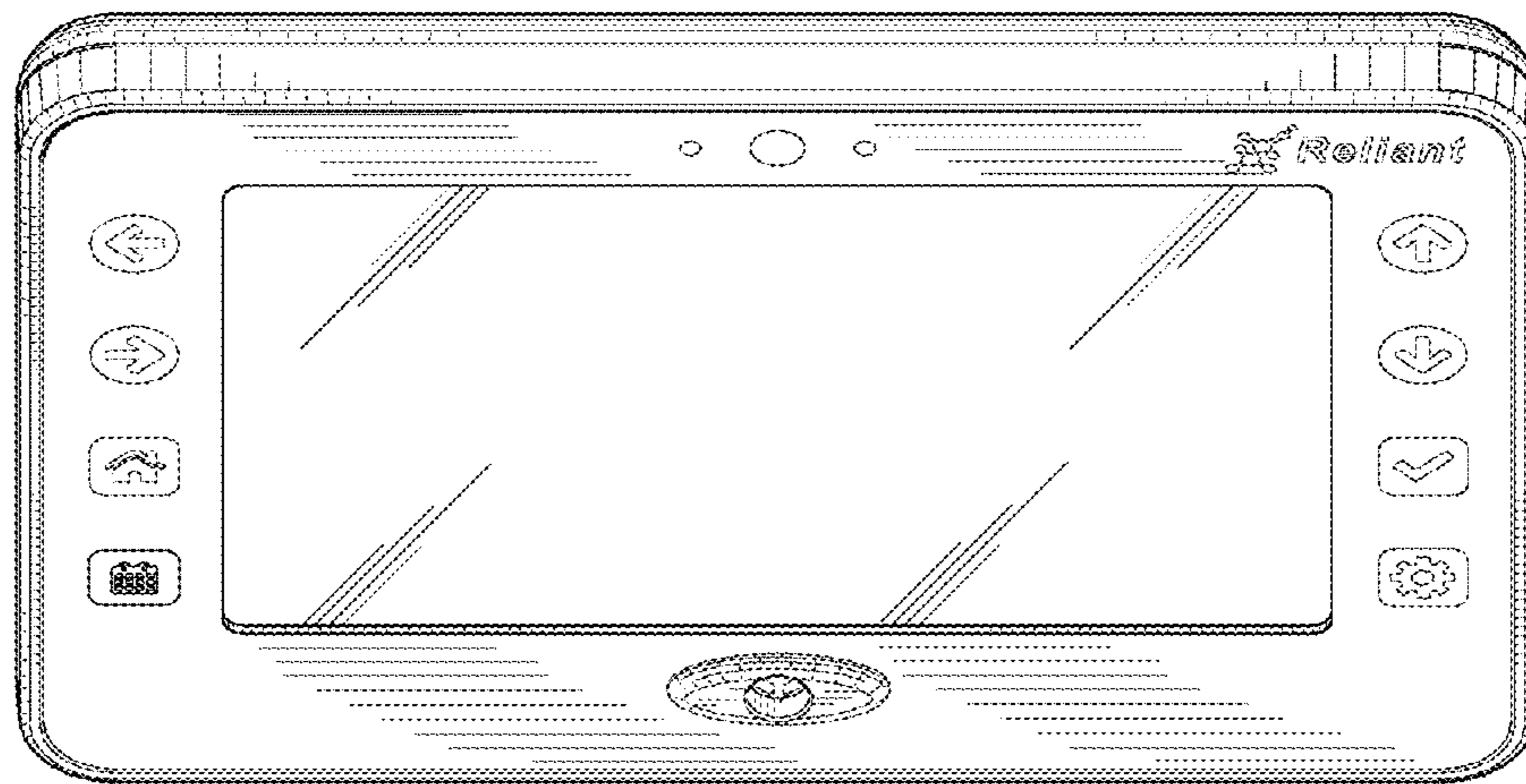


FIG. 4

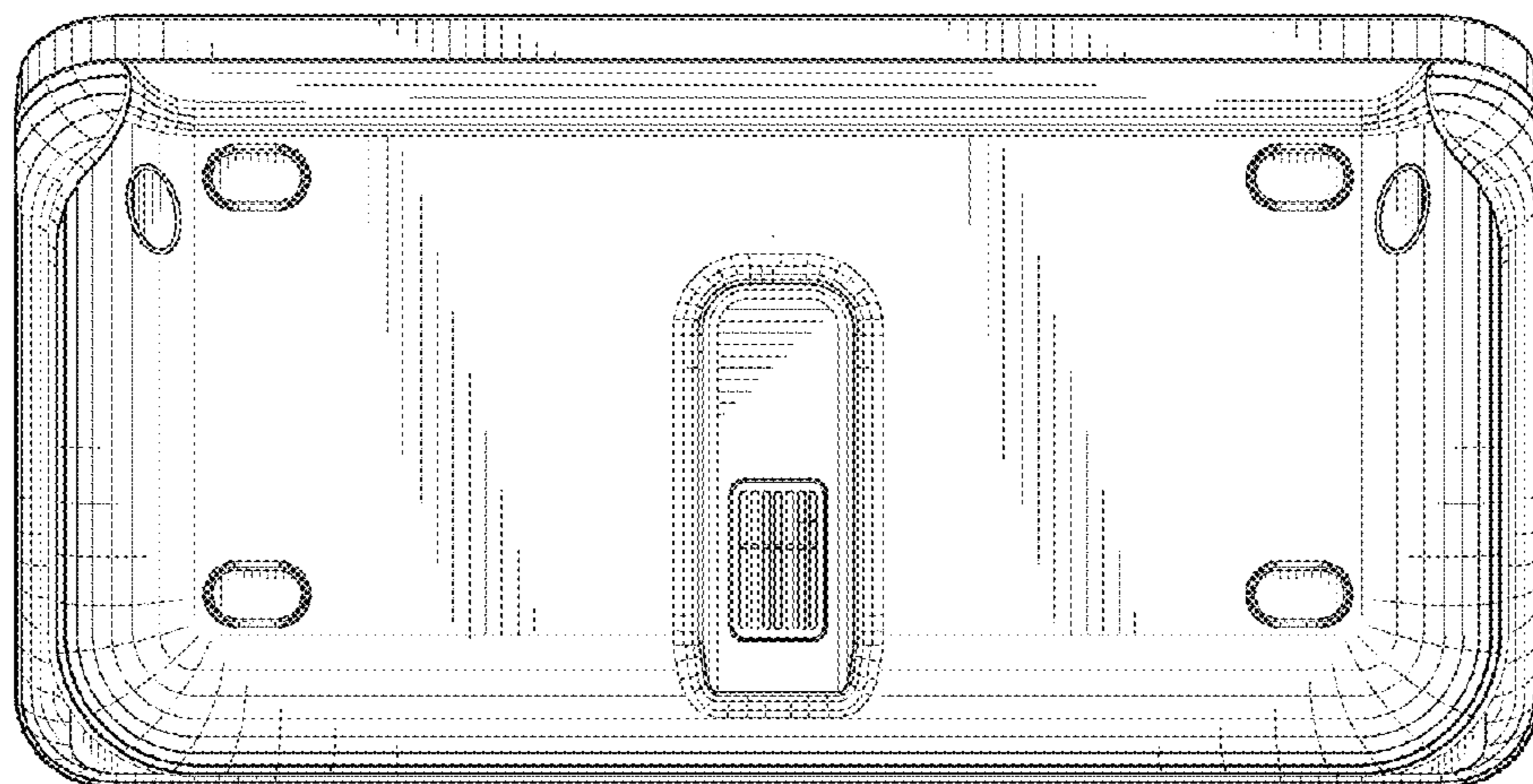


FIG. 5

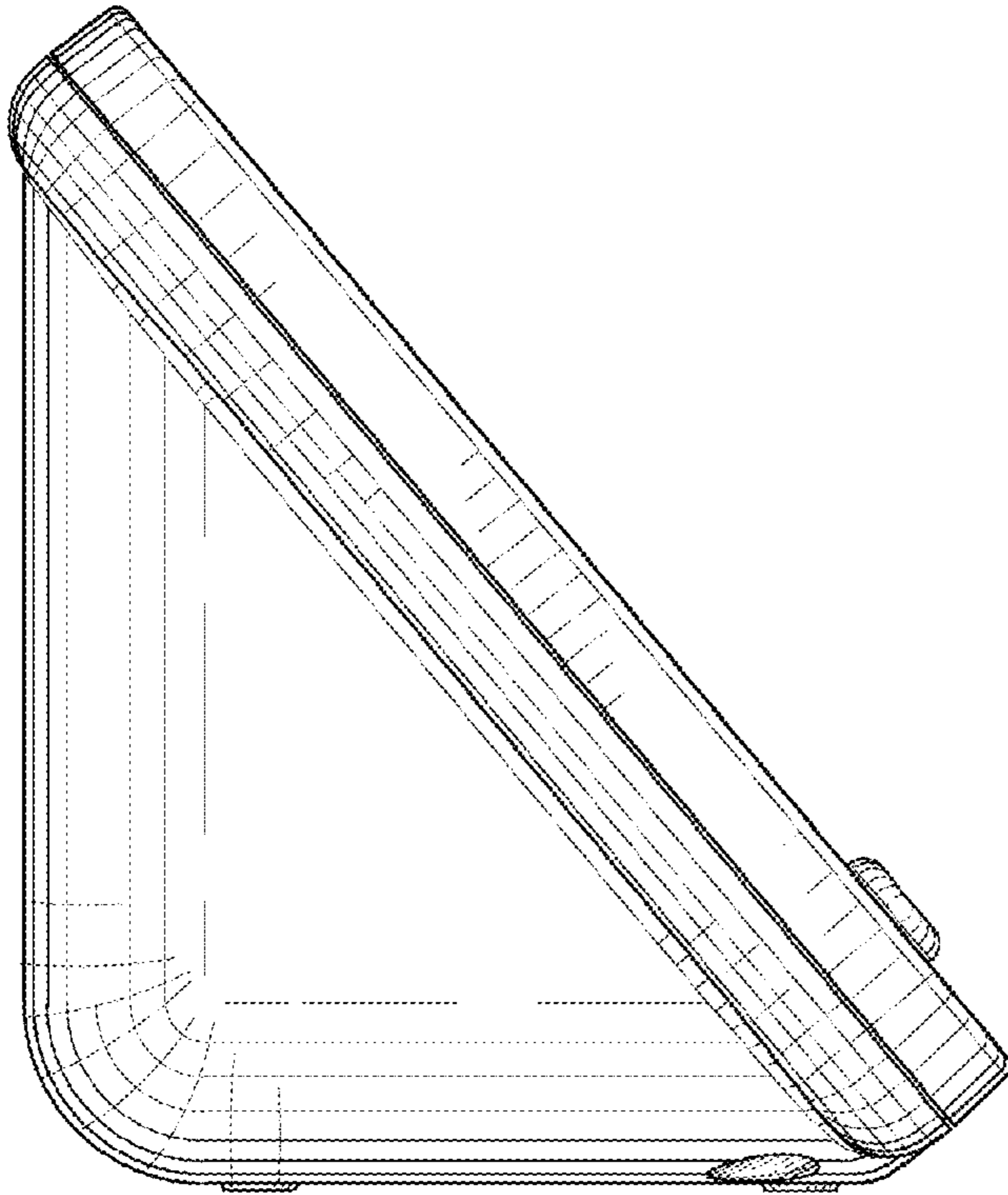


FIG. 6

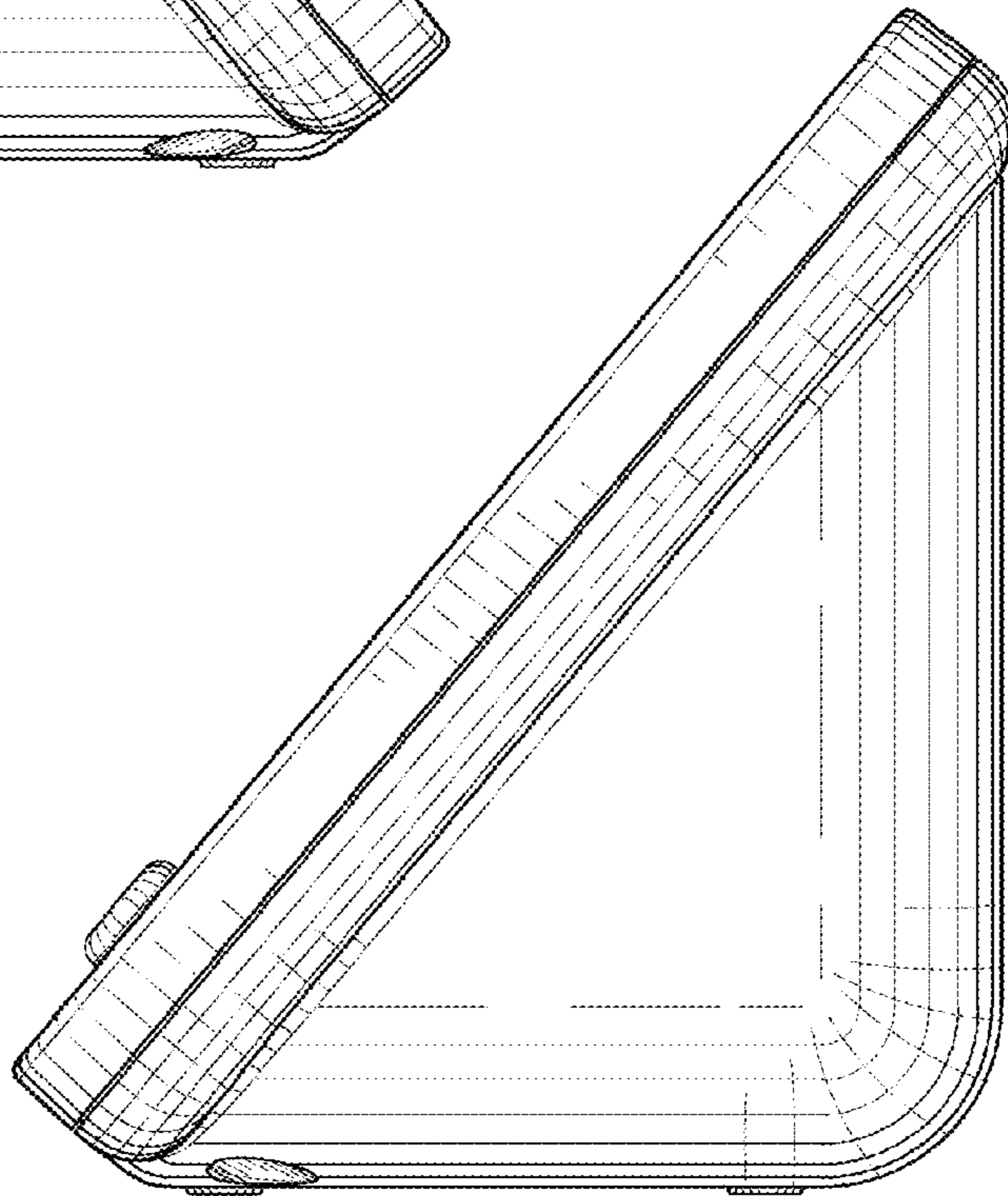


FIG. 7

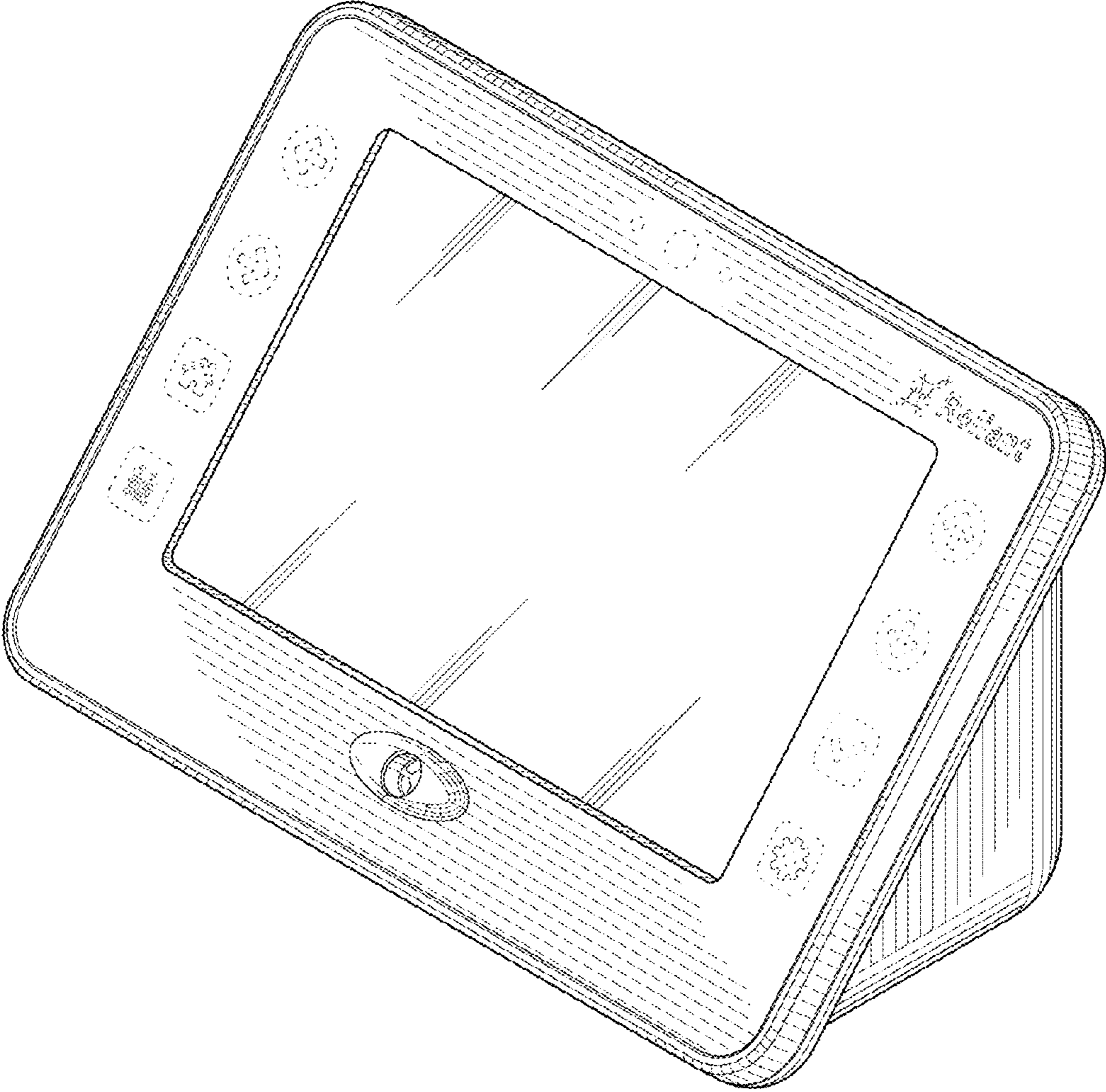


FIG.8

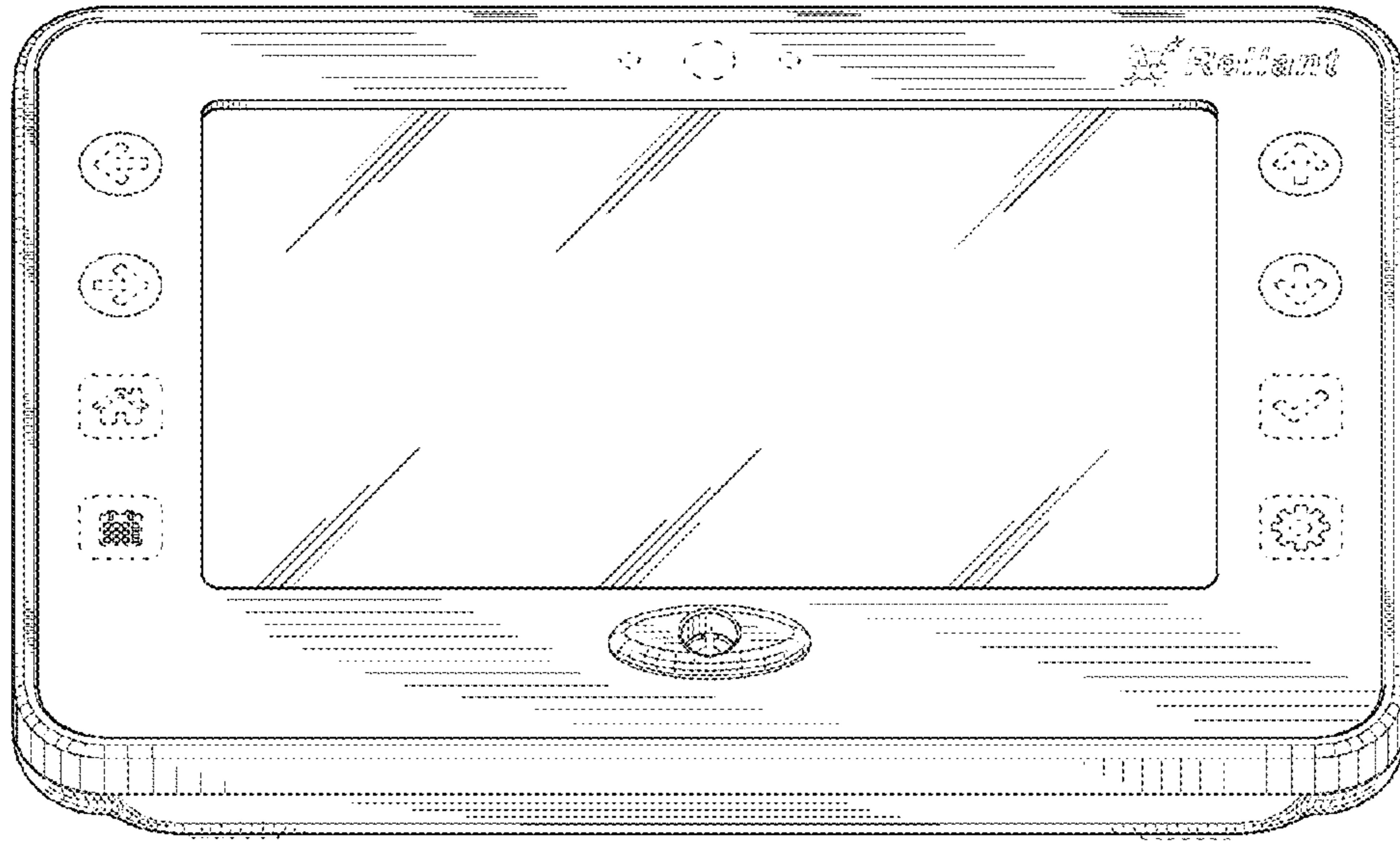


FIG. 9

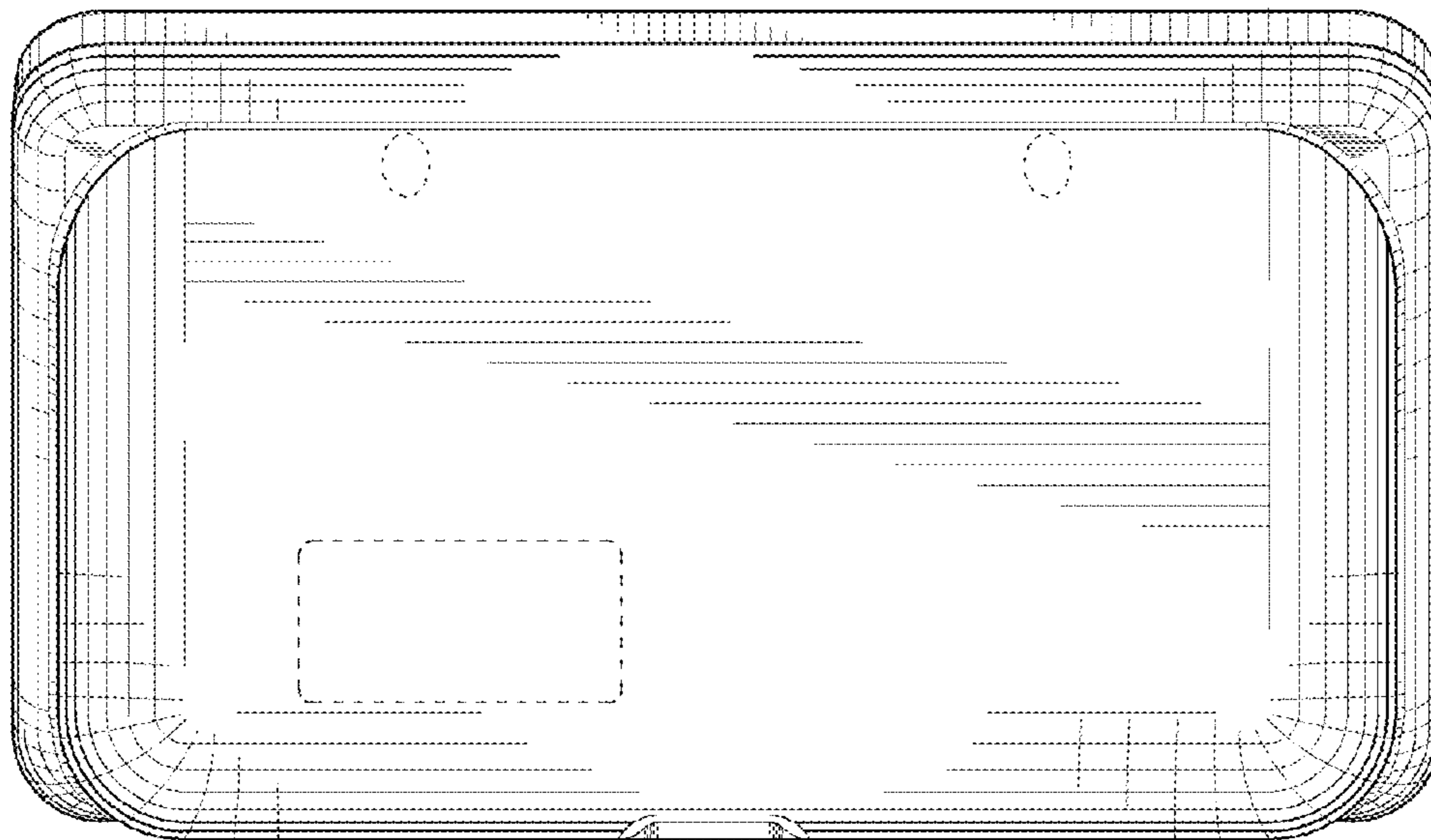


FIG. 10

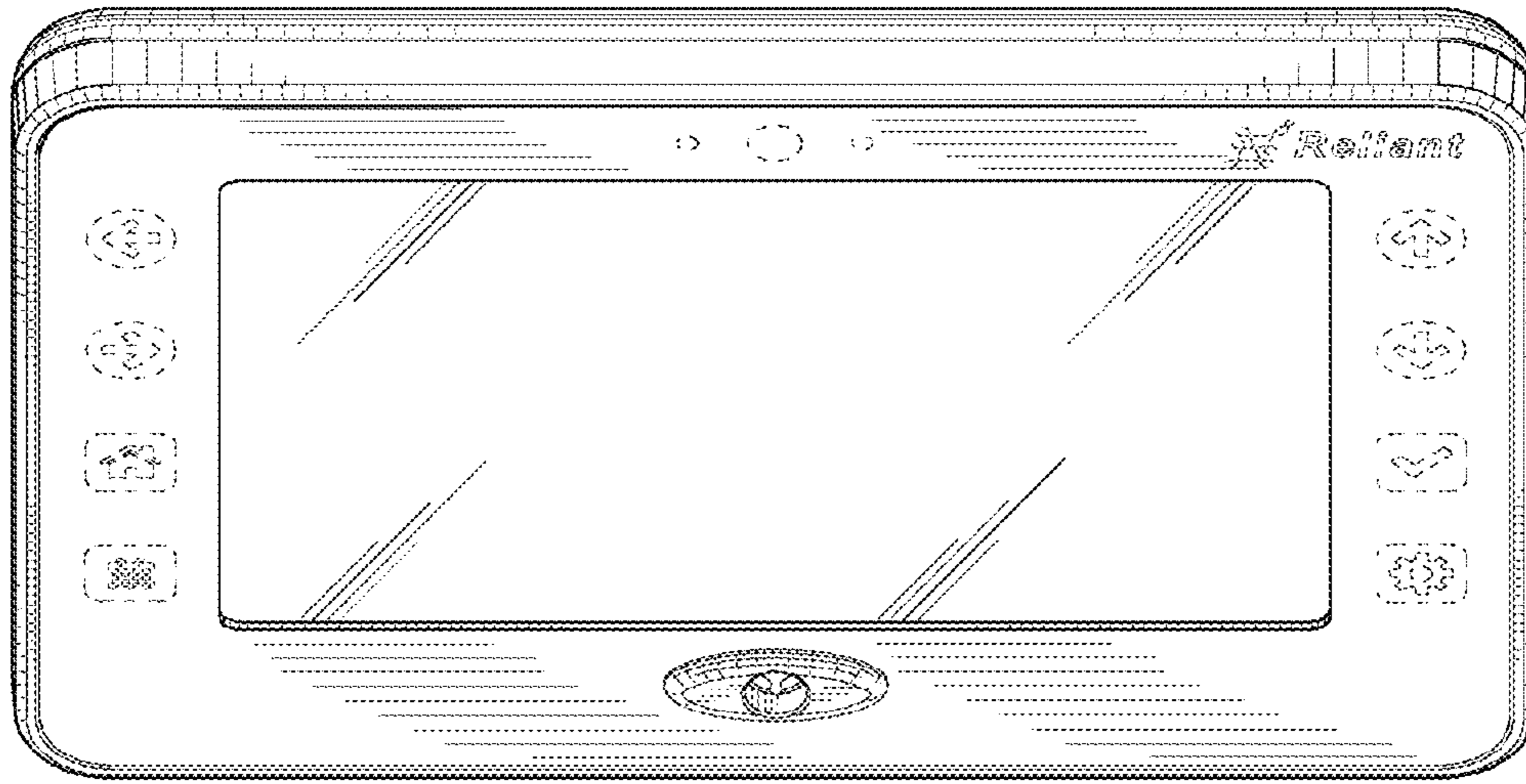


FIG. 11

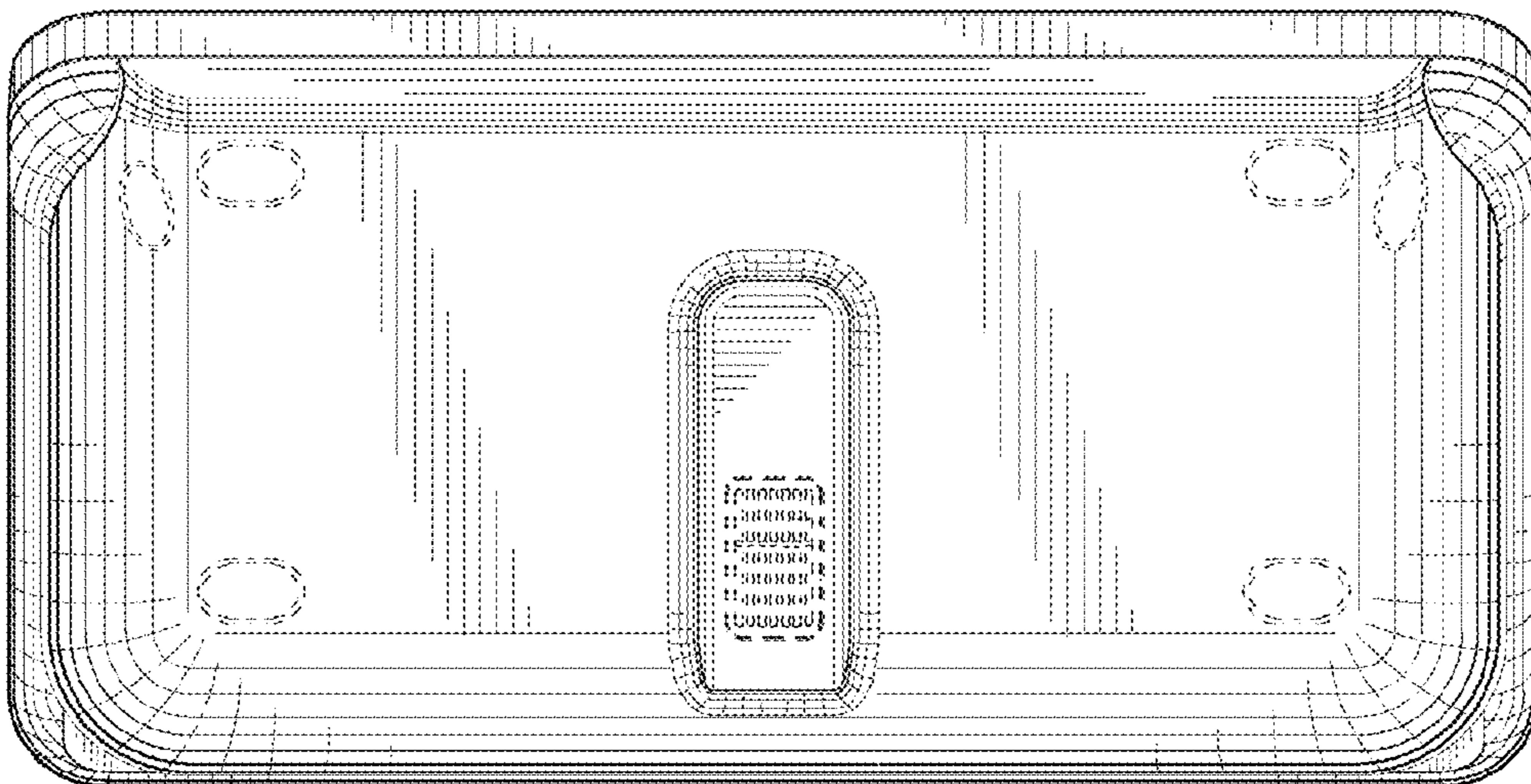


FIG. 12

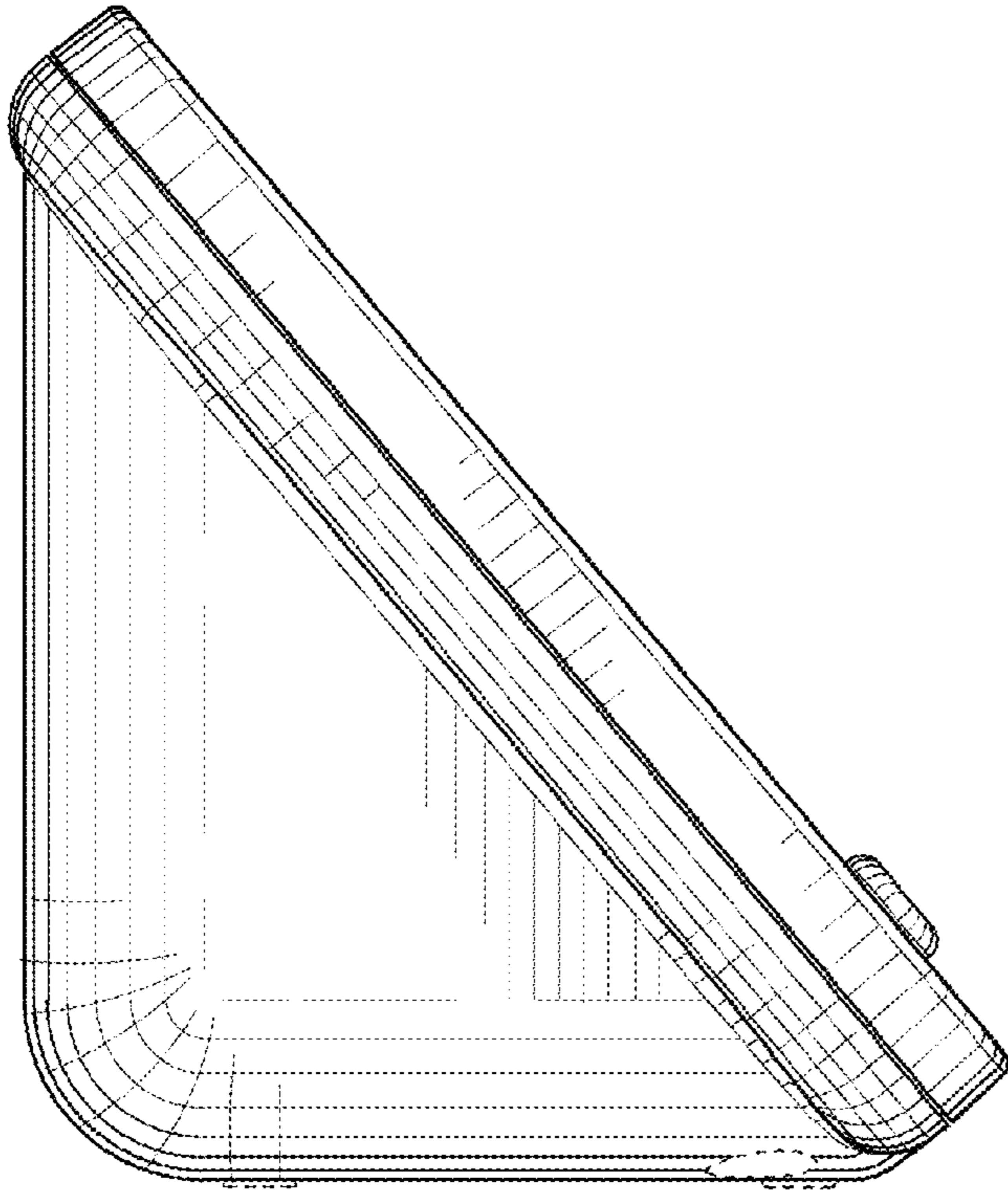


FIG. 13

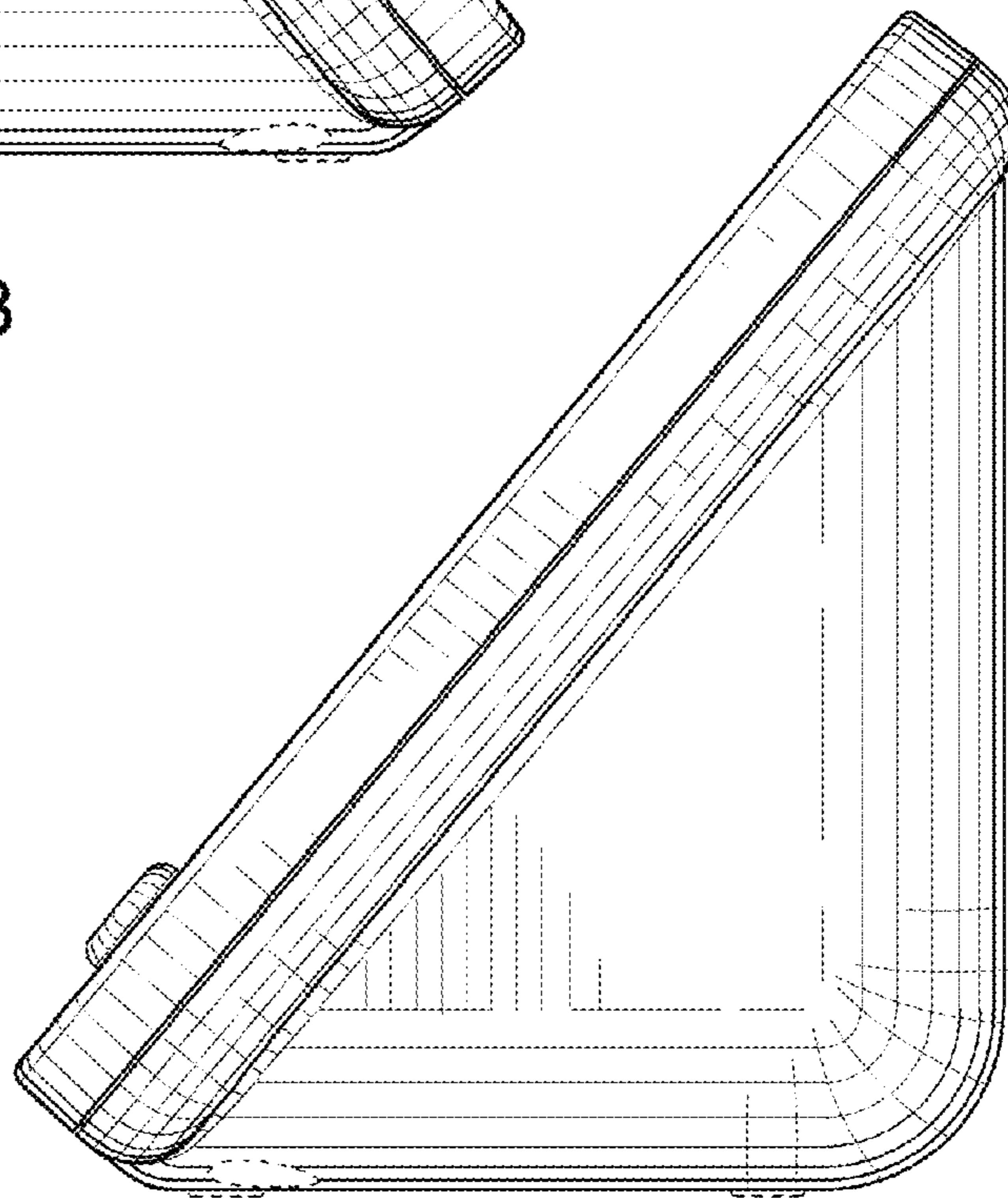


FIG. 14

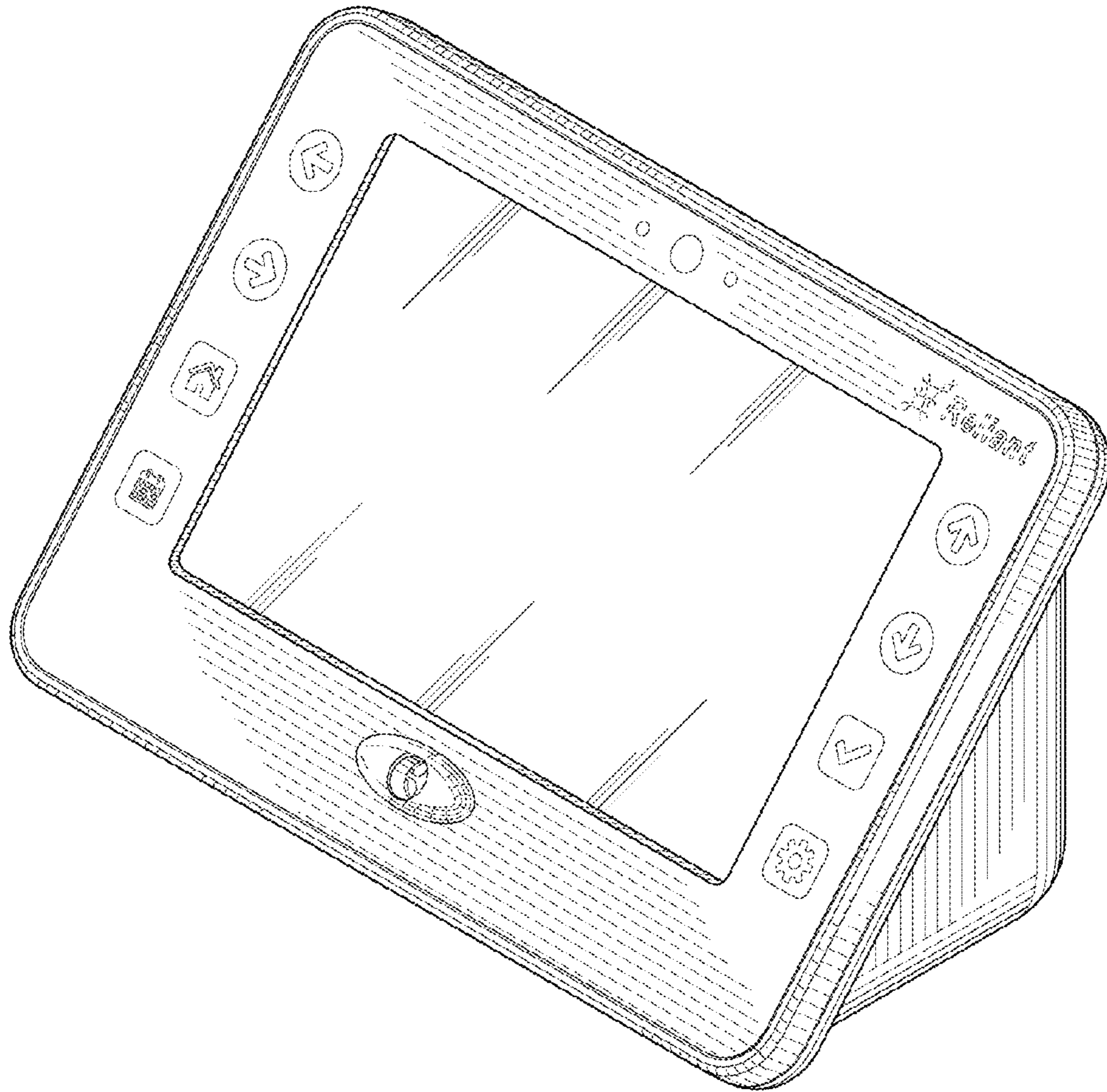


FIG.15

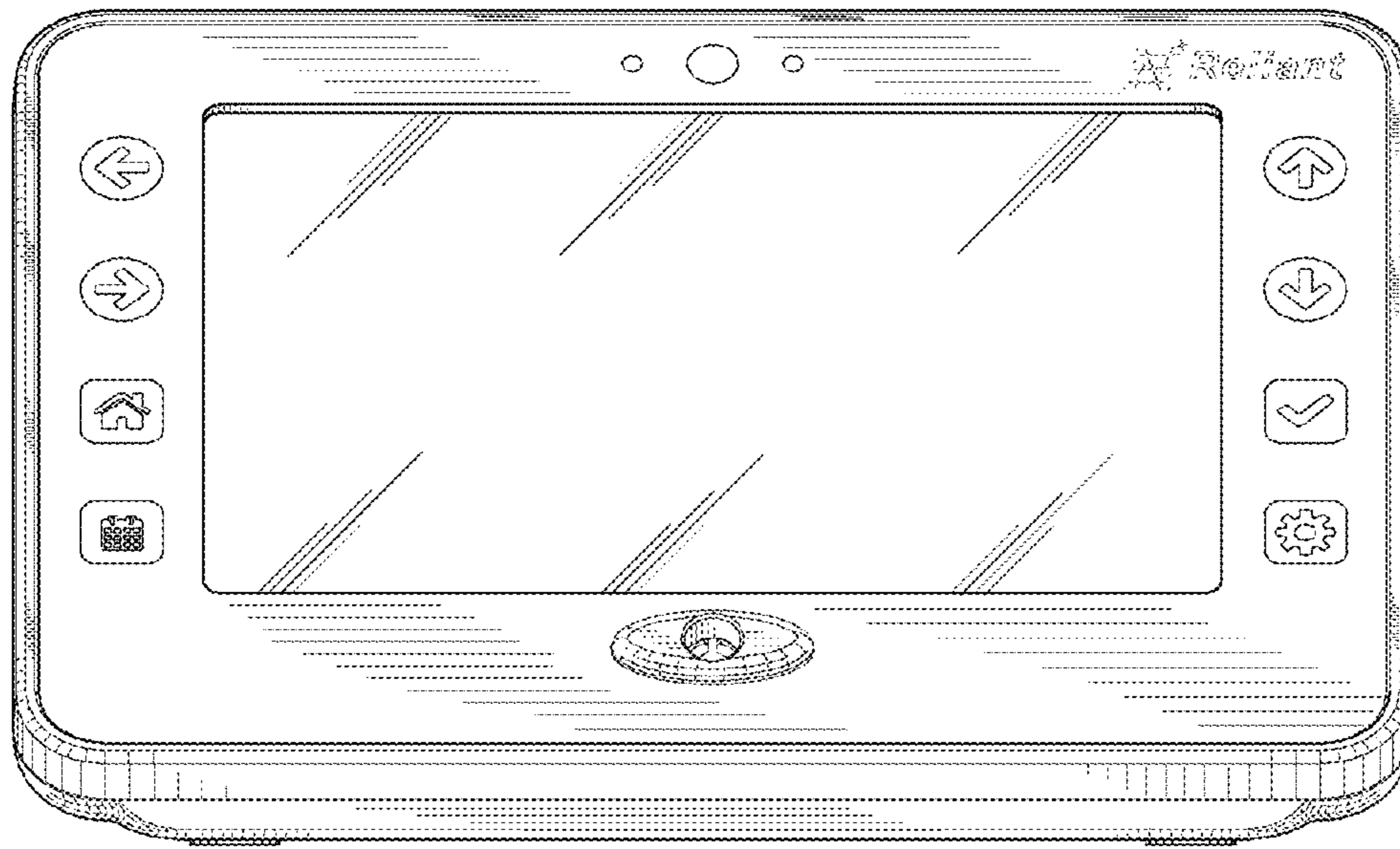


FIG. 16

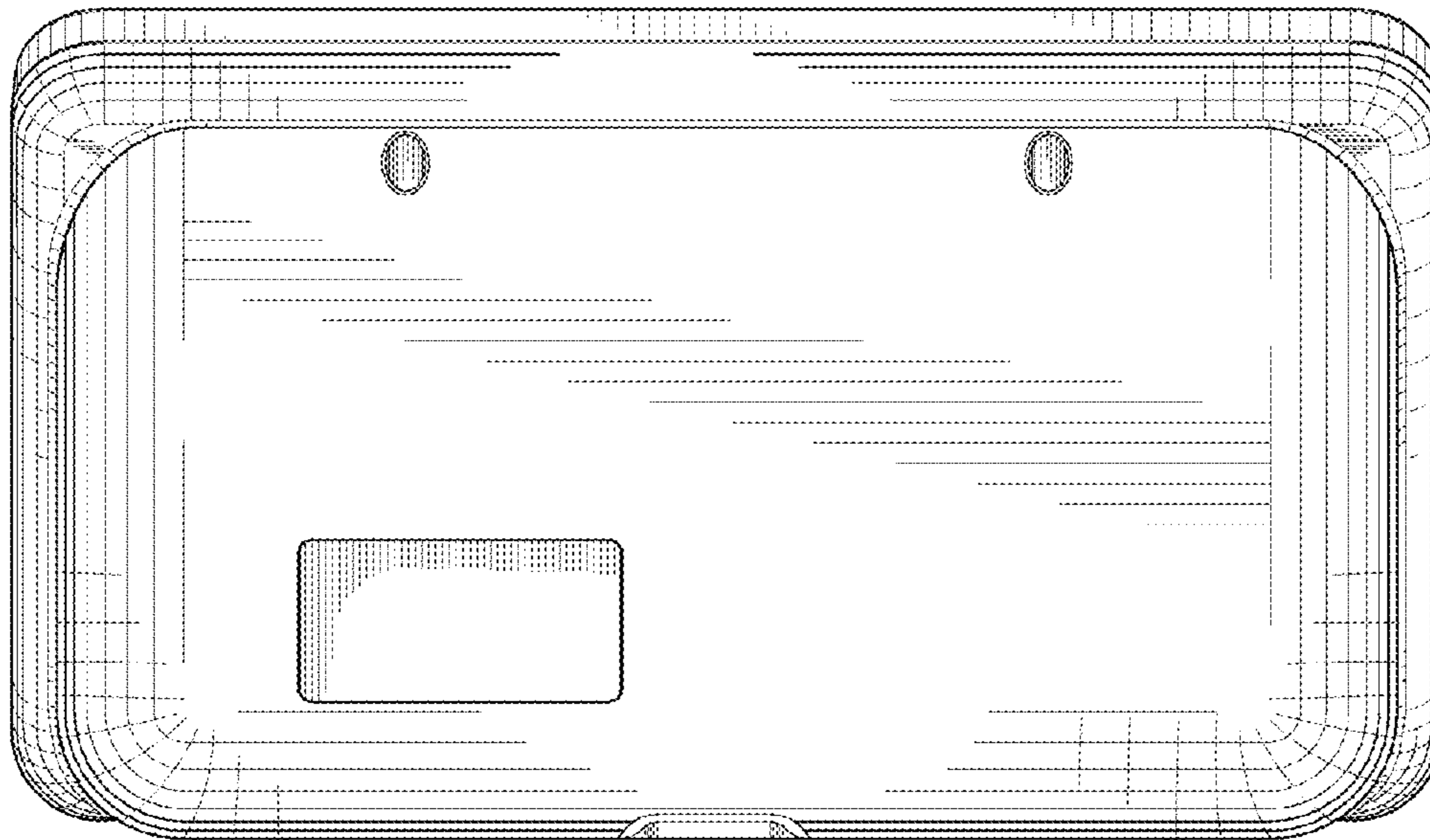


FIG. 17

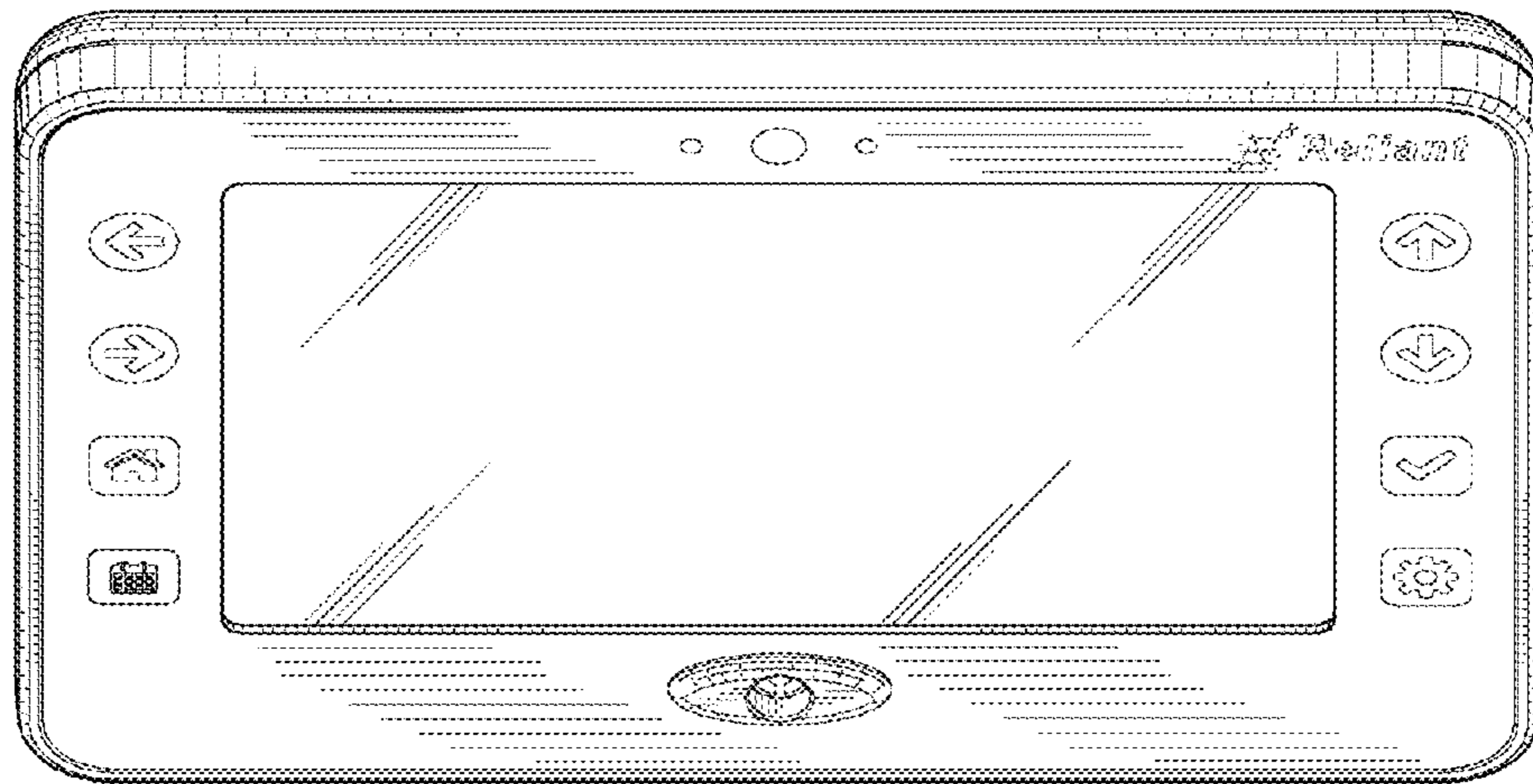


FIG. 18

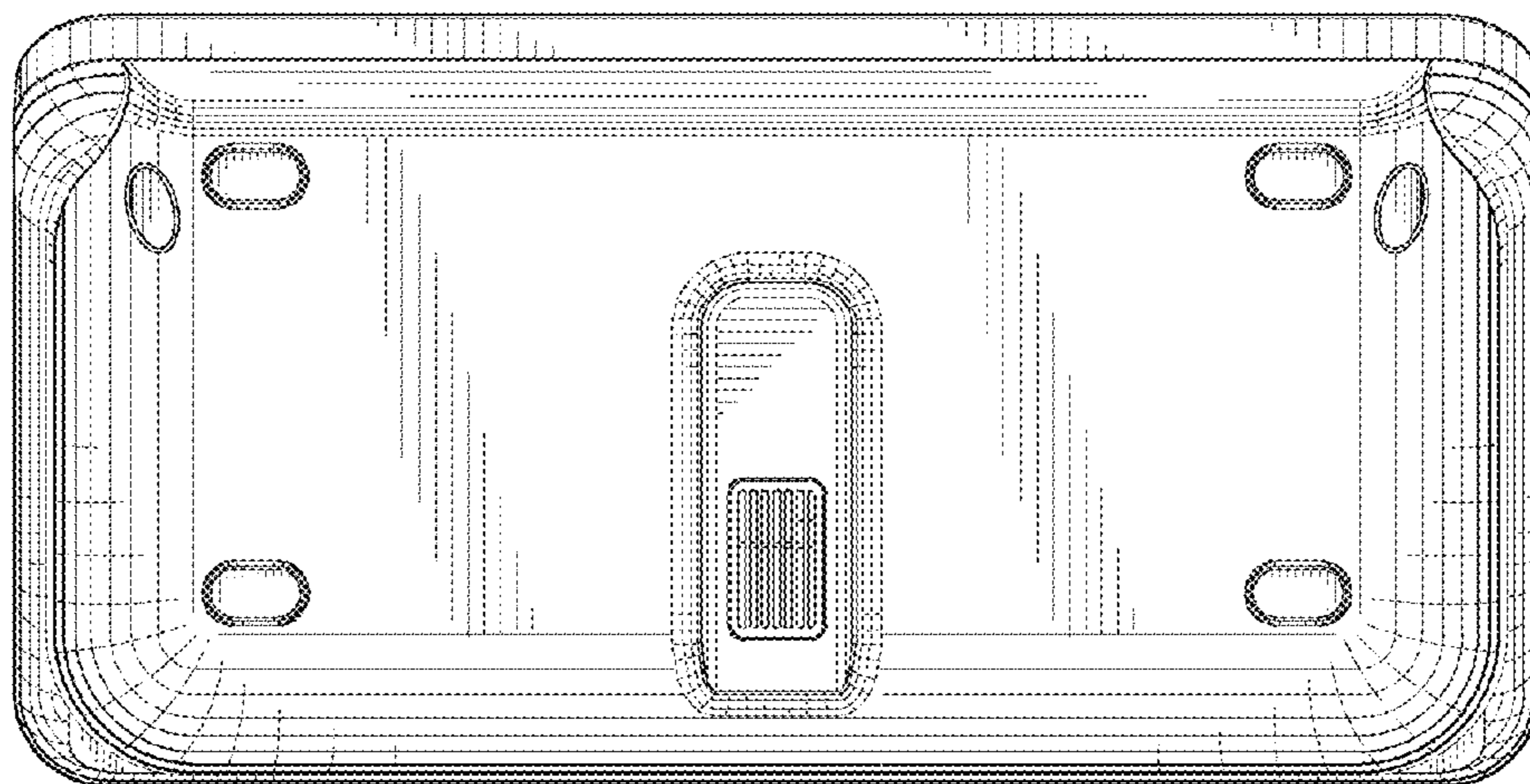


FIG. 19

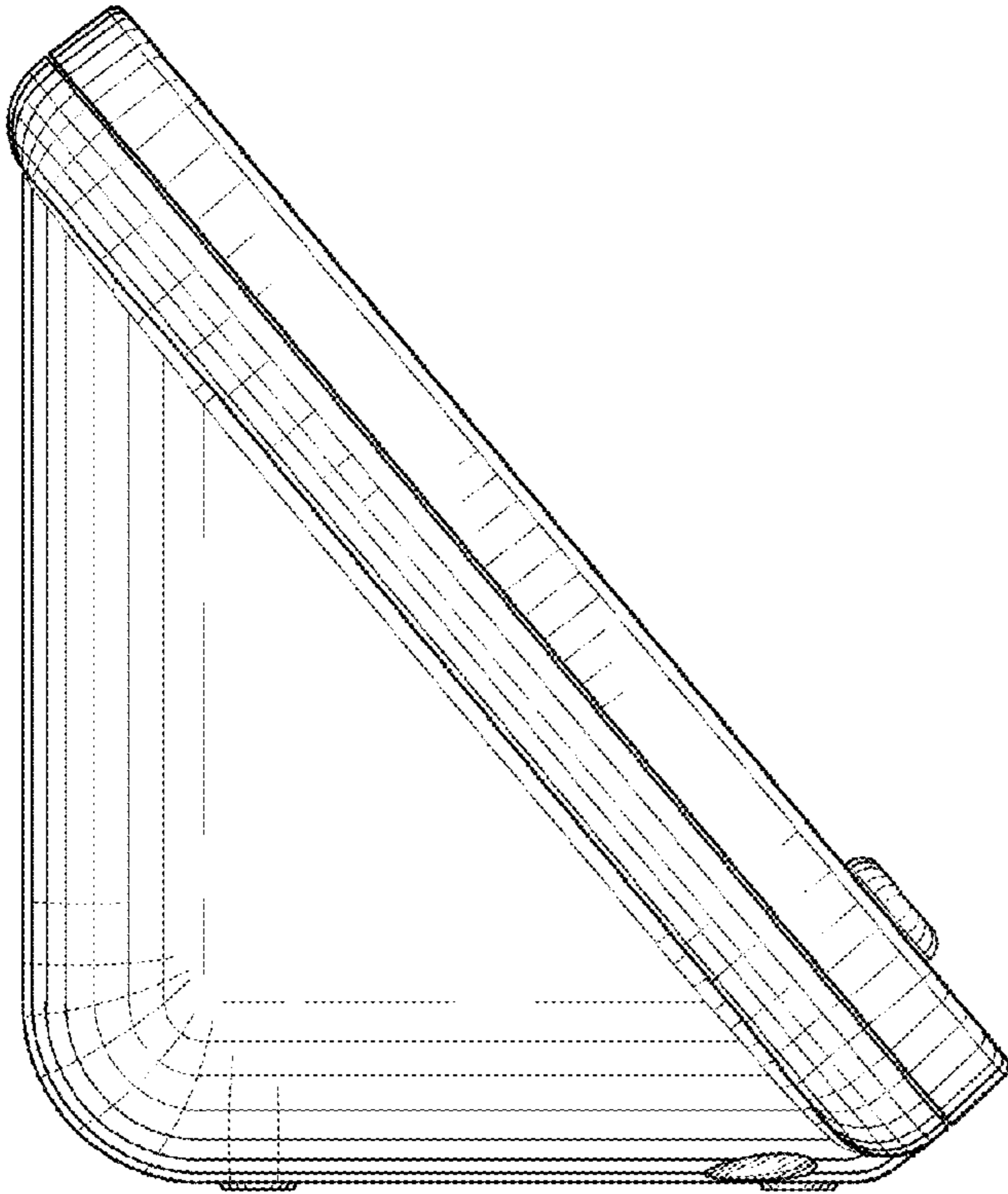


FIG. 20

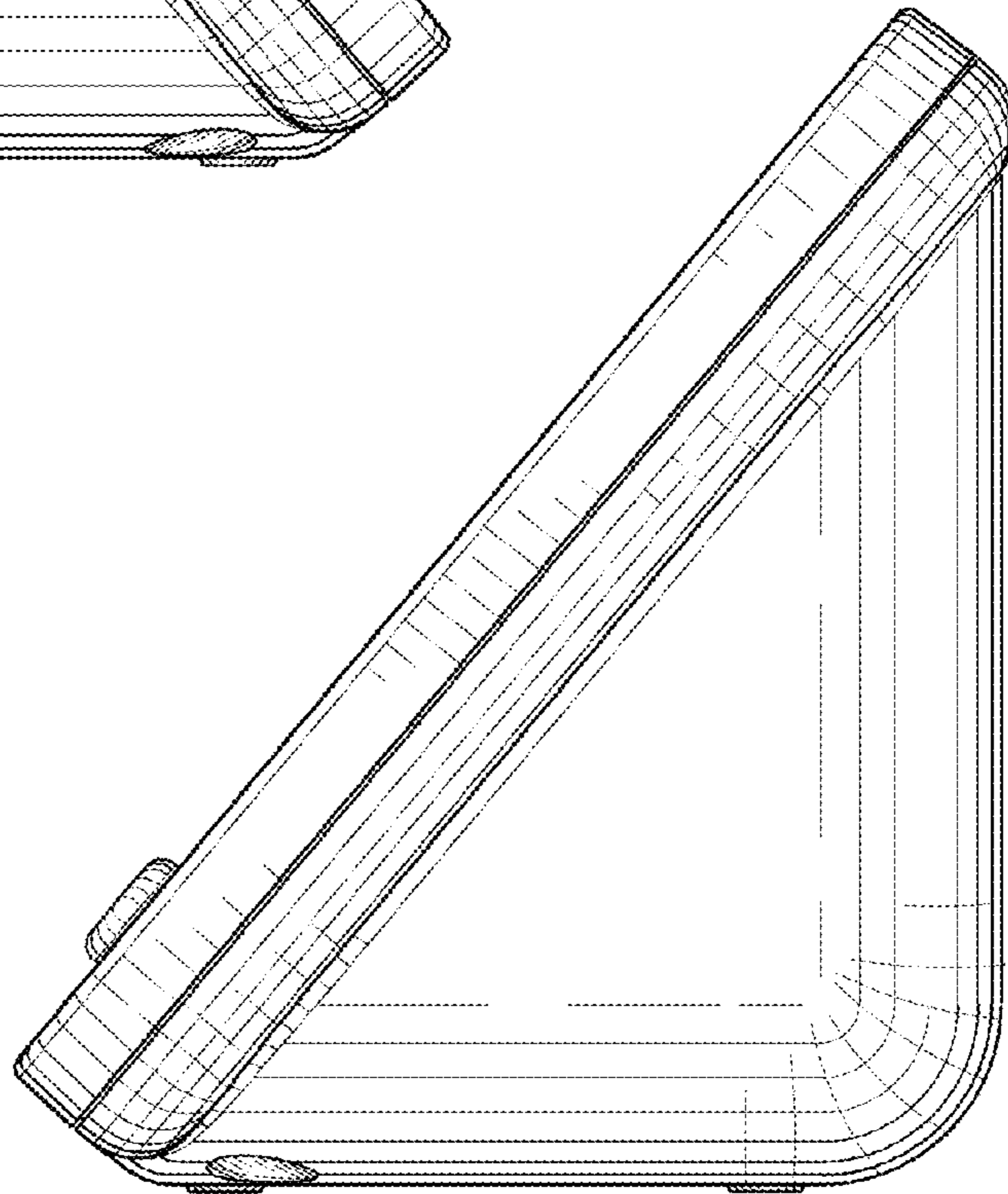


FIG. 21

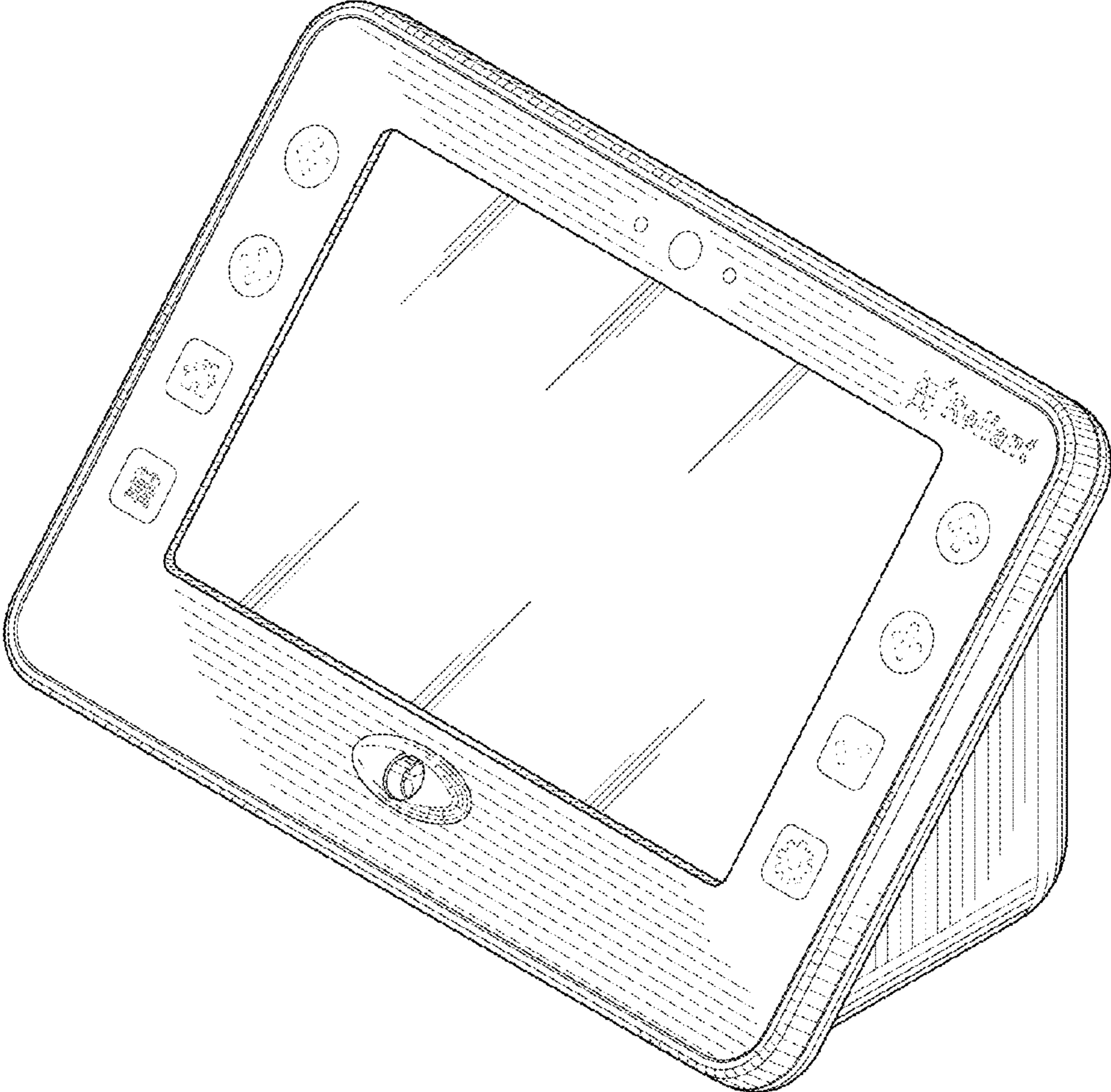


FIG.22

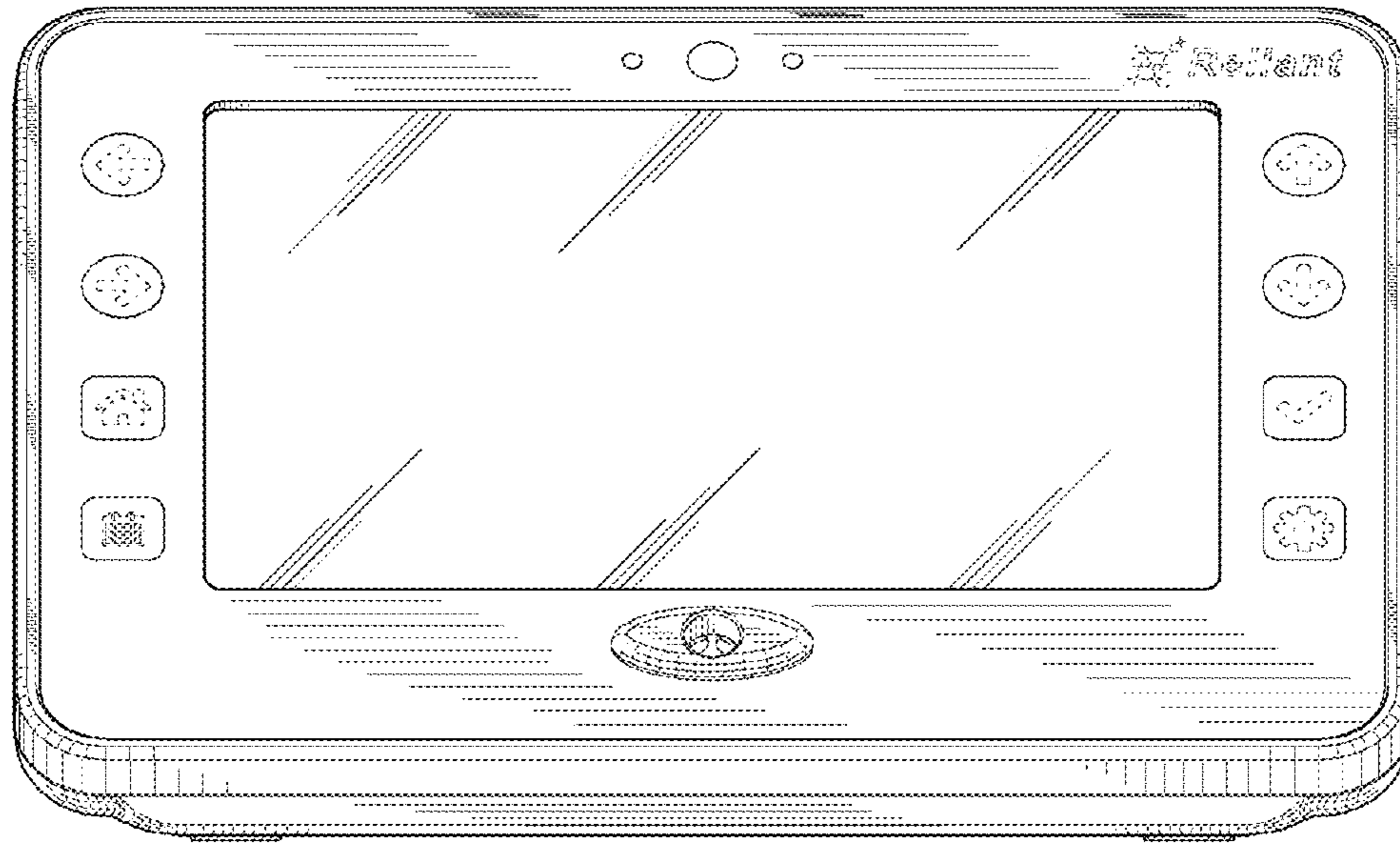


FIG. 23

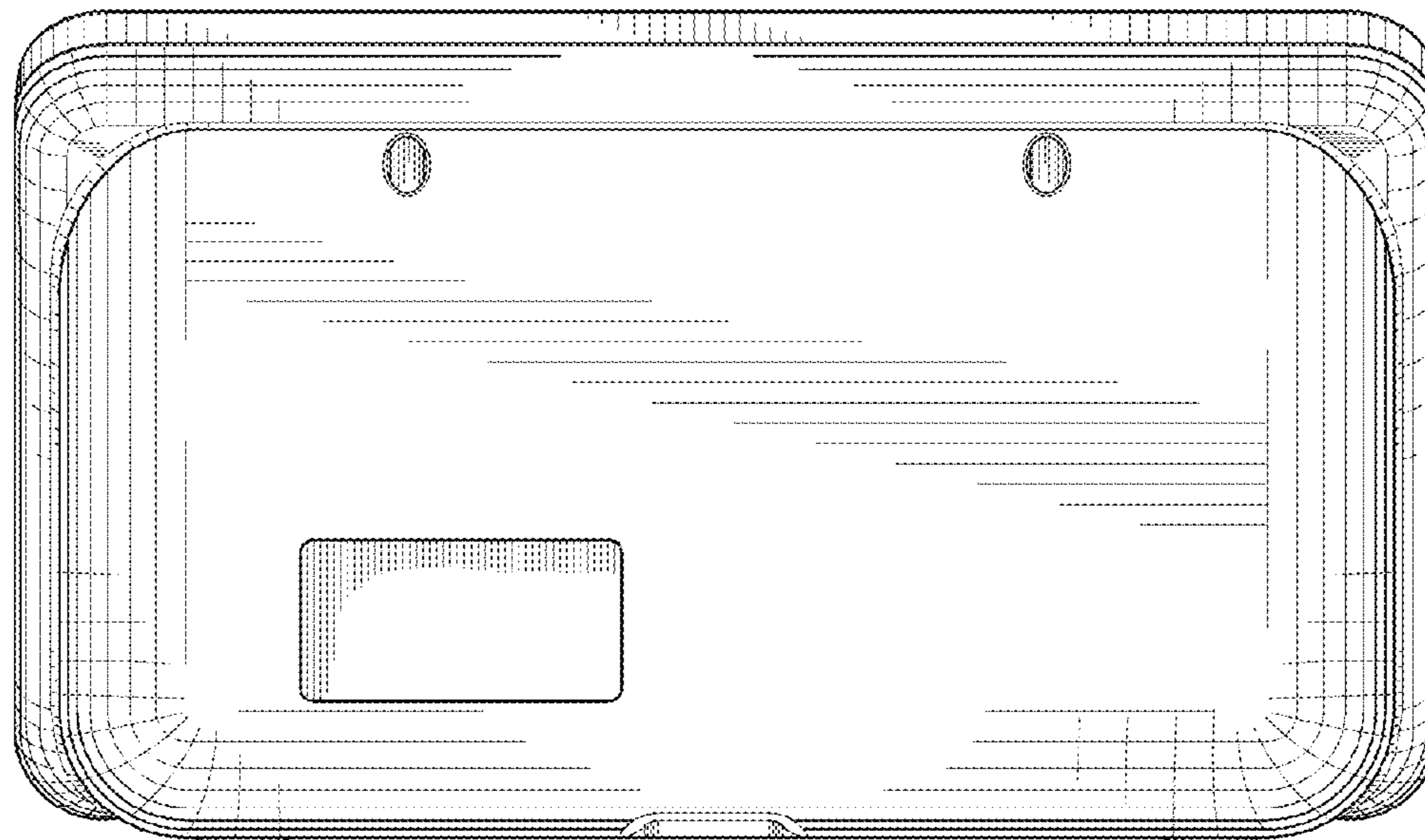


FIG. 24

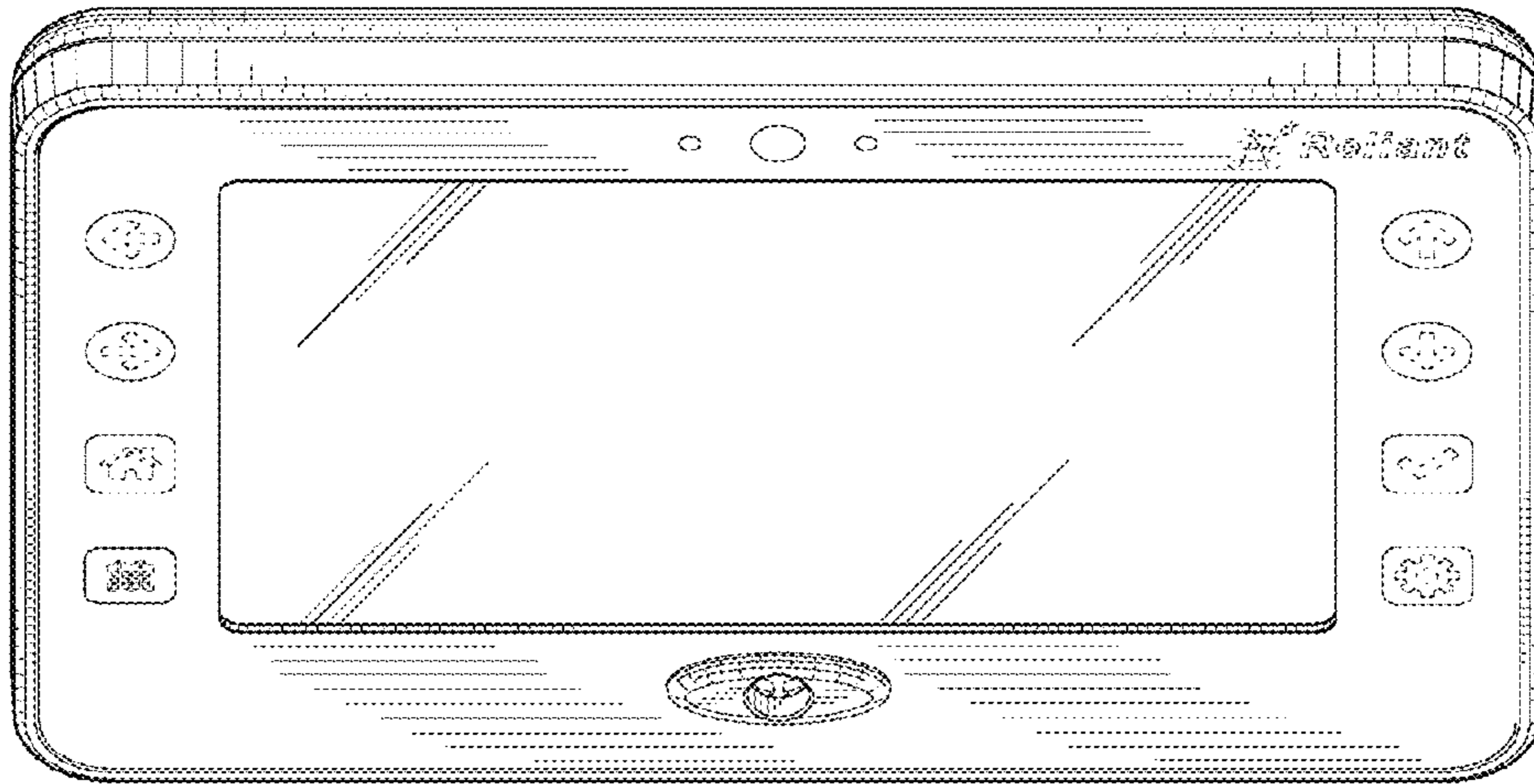


FIG.25

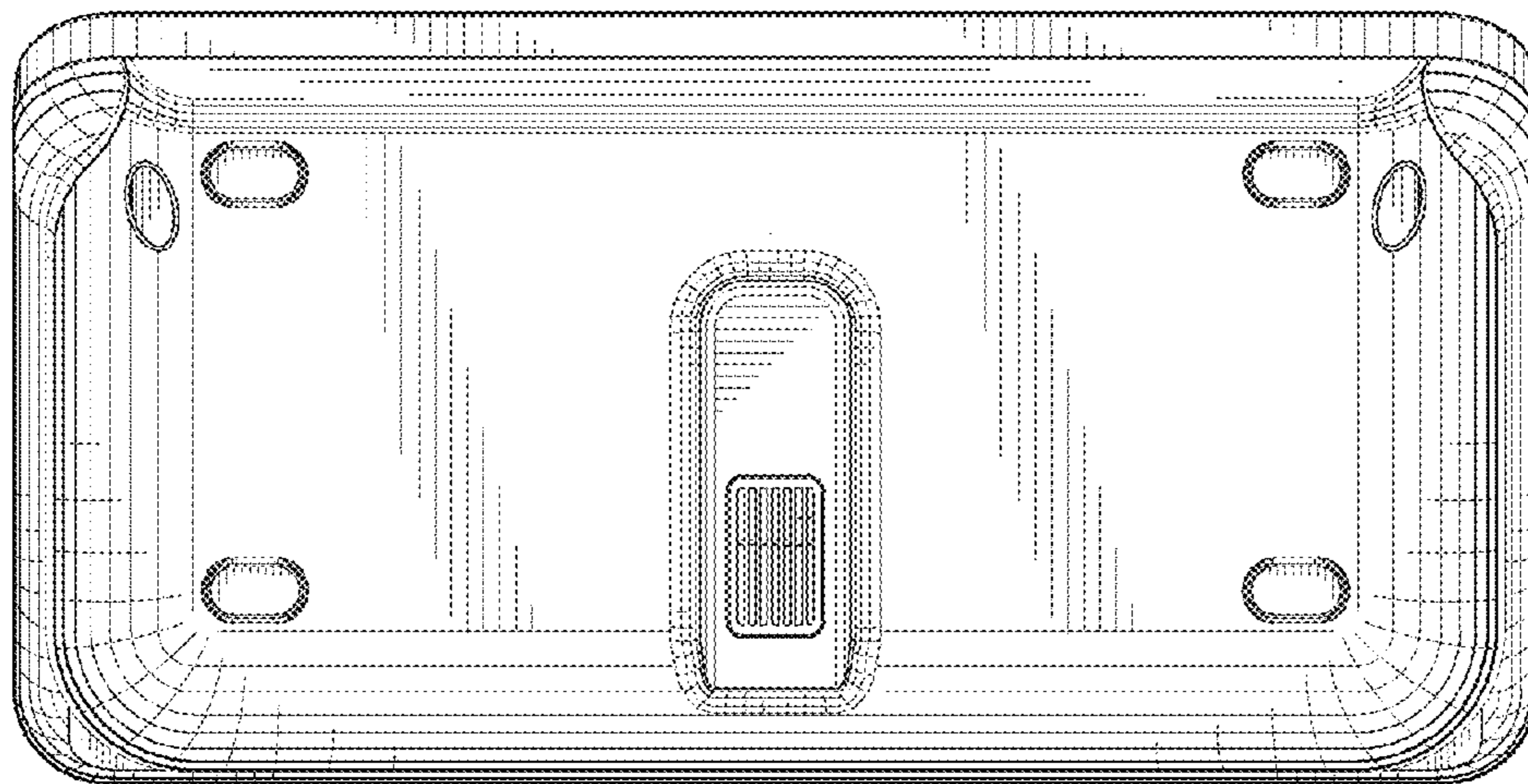


FIG.26

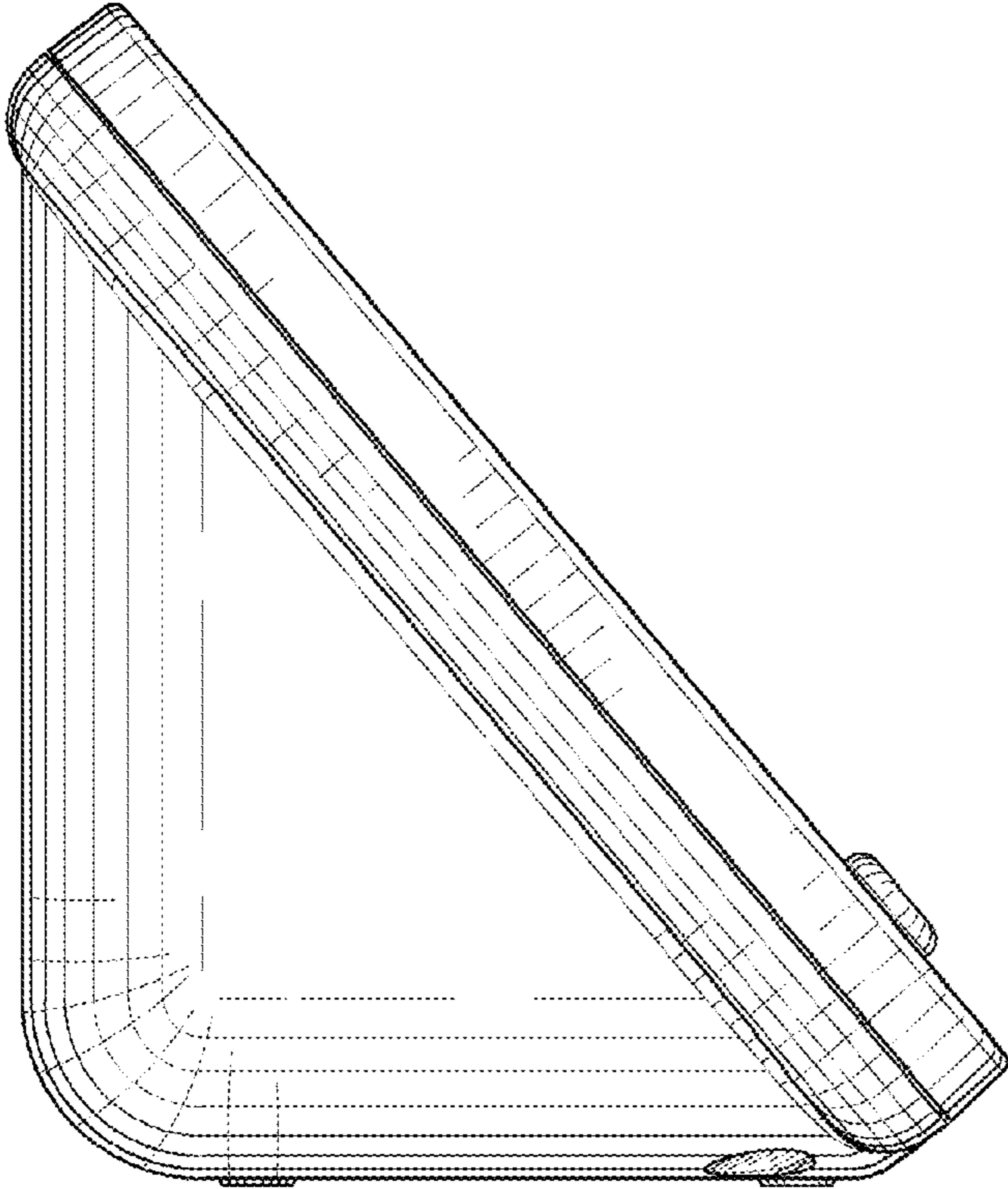


FIG. 27

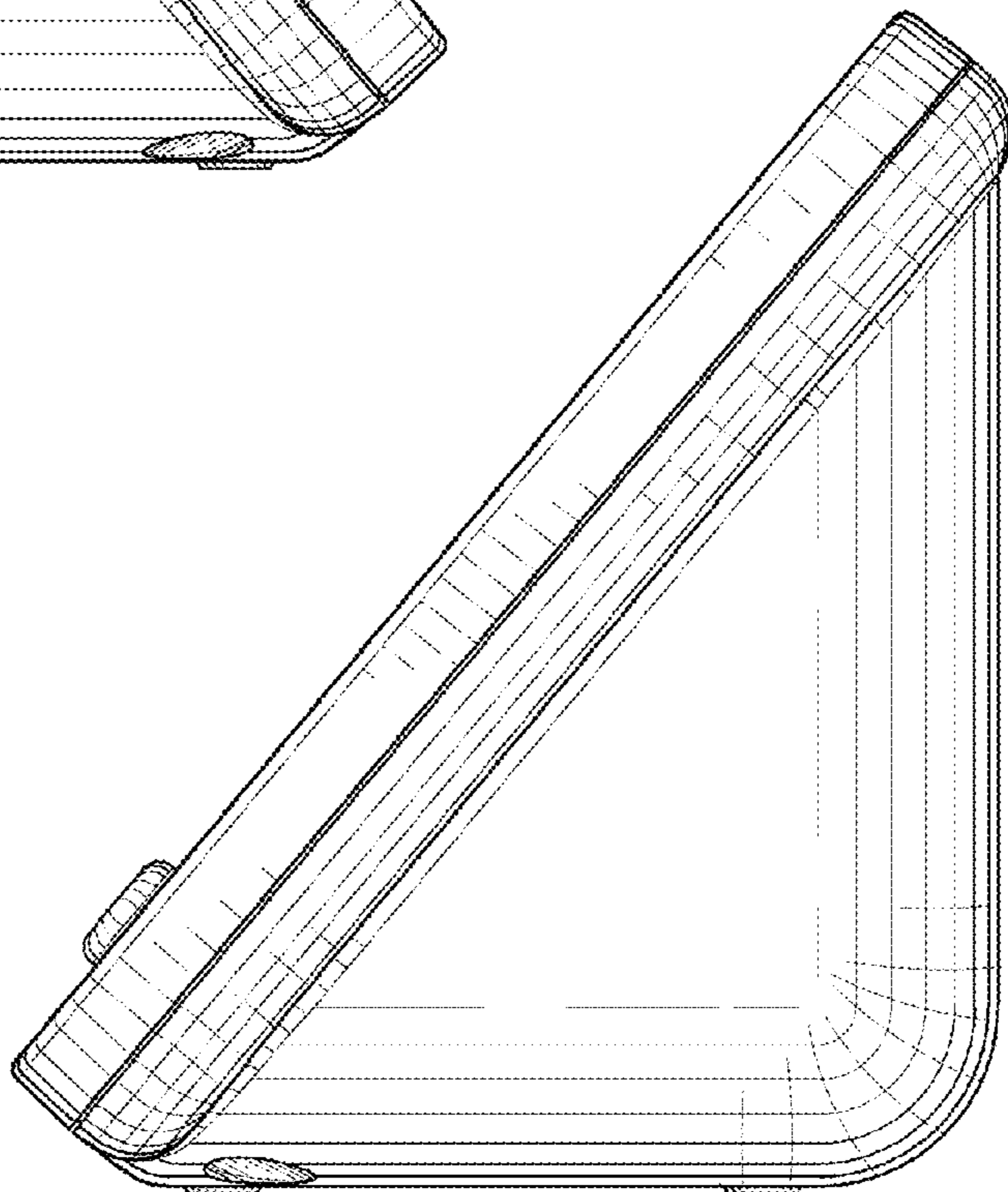


FIG. 28