



US00D724976S

(12) **United States Design Patent**  
**Crowe et al.**

(10) **Patent No.:** **US D724,976 S**  
(45) **Date of Patent:** **\*\* Mar. 24, 2015**

- (54) **ELECTRICAL TESTER**
- (71) Applicant: **Milwaukee Electric Tool Corporation**,  
Brookfield, WI (US)
- (72) Inventors: **Jason Crowe**, Seattle, WA (US); **Justin Dorman**, Wauwatosa, WI (US)
- (73) Assignee: **Milwaukee Electric Tool Corporation**,  
Brookfield, WI (US)

(\*\*) Term: **14 Years**

(21) Appl. No.: **29/478,070**

(22) Filed: **Dec. 31, 2013**

(51) **LOC (10) Cl.** ..... **10-04**

(52) **U.S. Cl.**  
USPC ..... **D10/78**

(58) **Field of Classification Search**  
 CPC ..... G01R 1/22; G01R 1/04; G01R 15/181;  
 G01R 15/186; G01R 15/12; G01R 15/125;  
 G01D 11/24; G06F 17/00  
 USPC ..... D10/78; 324/99 D, 156, 678, 66, 67,  
 324/158 P, 539-542, 72.5, 72, 556, 133,  
 324/149, 503, 543, 555, 754, 115, 141, 145,  
 324/508, 114; 379/21, 60, 66, 96,  
 379/106.01-106.11; 340/635, 687, 654;  
 73/866.5

See application file for complete search history.

(56) **References Cited**

**U.S. PATENT DOCUMENTS**

D154,699 S	8/1949	Molloy
2,581,497 A	1/1952	Podell
3,287,642 A	11/1966	Simkins

3,757,218 A	9/1973	Oliverio et al.
3,946,613 A	3/1976	Silver
3,987,364 A	10/1976	MacCormack et al.
D246,094 S	10/1977	Jone et al.
4,105,968 A	8/1978	Mobley et al.

(Continued)

*Primary Examiner* — Antoine D Davis

(74) *Attorney, Agent, or Firm* — Michael Best & Friedrich LLP

(57) **CLAIM**

The ornamental design for an electrical tester, as shown and described.

**DESCRIPTION**

FIG. 1 is a front perspective view of a first construction of an electrical tester.

FIG. 2 is a front view of the electrical tester of FIG. 1.

FIG. 3 is a rear view of the electrical tester of FIG. 1.

FIG. 4 is a left side view of the electrical tester of FIG. 1.

FIG. 5 is a right side view of the electrical tester of FIG. 1.

FIG. 6 is a top view of the electrical tester of FIG. 1.

FIG. 7 is a bottom view of the electrical tester of FIG. 1.

FIG. 8 is a front perspective view of a second construction of an electrical tester.

FIG. 9 is a front view of the electrical tester of FIG. 8.

FIG. 10 is a rear view of the electrical tester of FIG. 8.

FIG. 11 is a left side view of the electrical tester of FIG. 8.

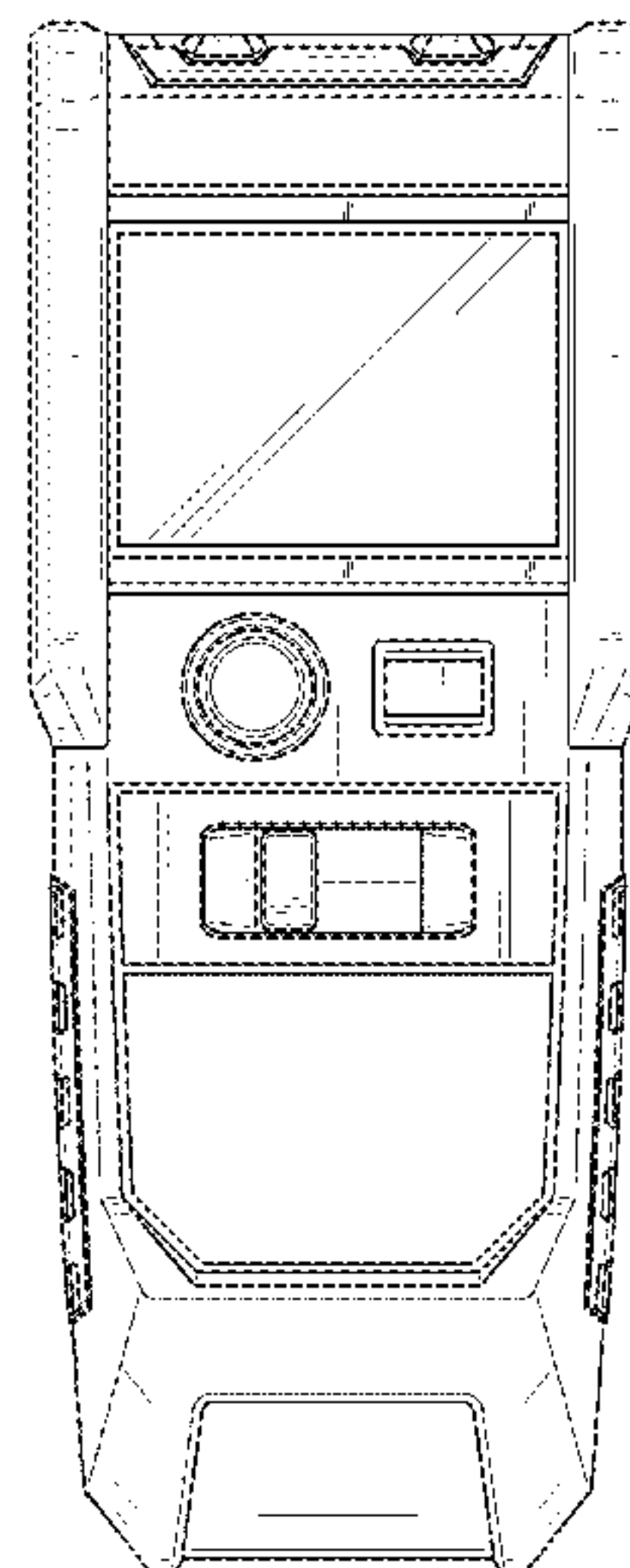
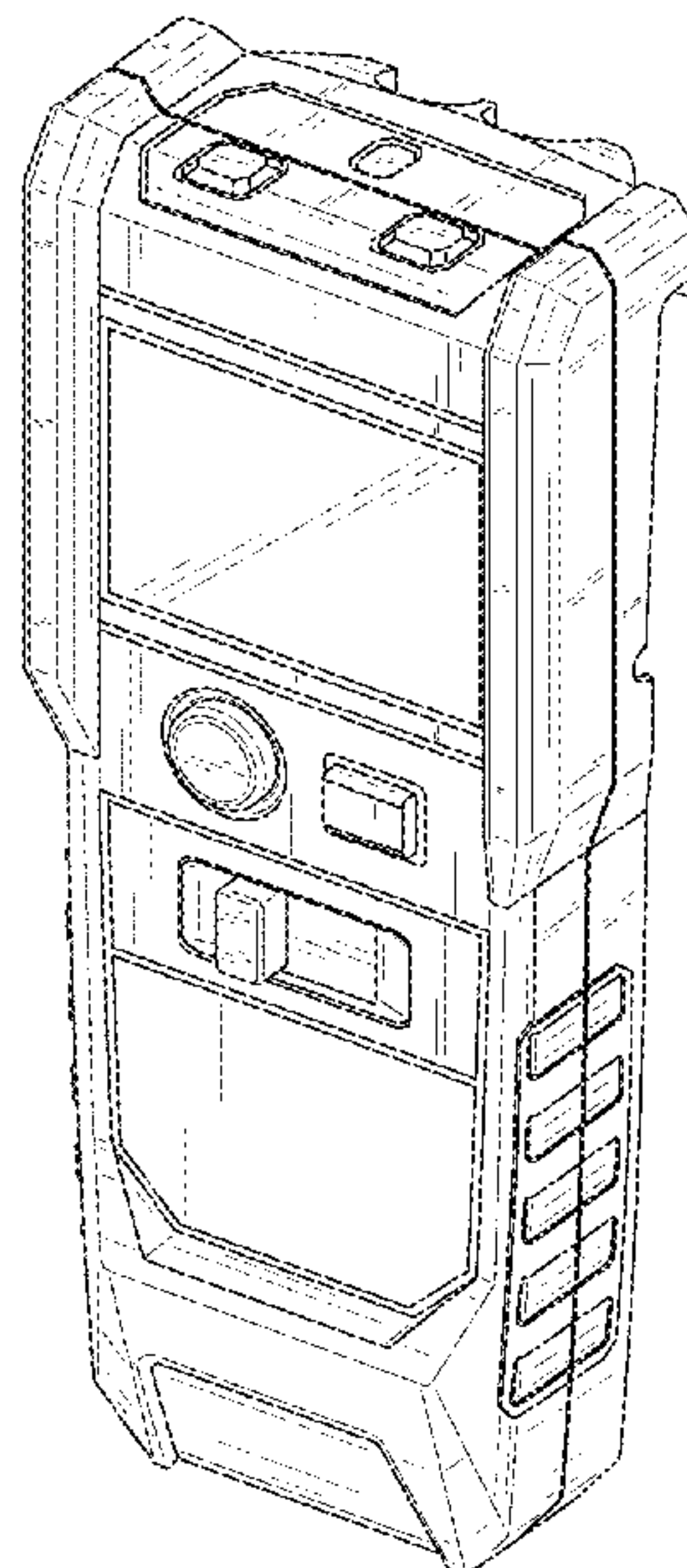
FIG. 12 is a right side view of the electrical tester of FIG. 8.

FIG. 13 is a top view of the electrical tester of FIG. 8; and,

FIG. 14 is a bottom view of the electrical tester of FIG. 8.

The ornamental design which is claimed is shown in solid lines in the drawings. The portions of the design shown in broken lines are included for the purpose of illustrating environment and form no part of the claimed design.

**1 Claim, 12 Drawing Sheets**



(56)

References Cited

U.S. PATENT DOCUMENTS

4,176,315	A	11/1979	Sunnarborg	6,980,417	B2	12/2005	Chang
4,259,635	A	3/1981	Triplett	7,224,159	B2	5/2007	Van Deursen et al.
D297,917	S	10/1988	Adams et al.	7,242,173	B2	7/2007	Cavoretto
5,029,296	A	7/1991	Shang-Wen	7,304,618	B2	12/2007	Plathe
D349,860	S	8/1994	Omuro et al.	7,312,602	B2	12/2007	Hoopengarner
D362,642	S	9/1995	Howse	7,312,603	B2	12/2007	Luo et al.
5,448,162	A	9/1995	Beha	D559,715	S	1/2008	Marzynski et al.
5,543,707	A	8/1996	Yoneyama et al.	7,439,726	B2	10/2008	Luo et al.
5,612,616	A	3/1997	Earle	7,557,559	B1	7/2009	Olsson et al.
D391,181	S	2/1998	Beha	D601,047	S *	9/2009	Chang ..... D10/78
5,720,628	A	2/1998	Usui et al.	7,659,710	B2	2/2010	Luo et al.
5,729,211	A	3/1998	Reichler et al.	D617,225	S	6/2010	Marzynski et al.
5,831,430	A	11/1998	Pfanstiehl et al.	D628,917	S	12/2010	Tian
6,137,285	A	10/2000	Walsten et al.	D655,212	S	3/2012	Wong
D446,137	S *	8/2001	Chang ..... D10/78	8,358,121	B2 *	1/2013	Hudson et al. .... 324/115
D446,734	S	8/2001	Kuramoto et al.	8,405,380	B2 *	3/2013	Marzynski et al. .... 324/114
D446,735	S *	8/2001	McCain ..... D10/78	D679,615	S *	4/2013	Marzynski et al. .... D10/78
6,400,133	B1	6/2002	Vest et al.	D704,579	S *	5/2014	Heishi et al. .... D10/78
6,525,665	B1	2/2003	Luebke et al.	D705,099	S *	5/2014	Heishi et al. .... D10/78
D476,246	S	6/2003	Kuramoto et al.	D705,681	S *	5/2014	Morishita et al. .... D10/78
6,731,217	B1	5/2004	Warner	2011/0156696	A1	6/2011	Cheek et al.
				2013/0033253	A1	2/2013	Liu
				2013/0093449	A1	4/2013	Laurino et al.

\* cited by examiner

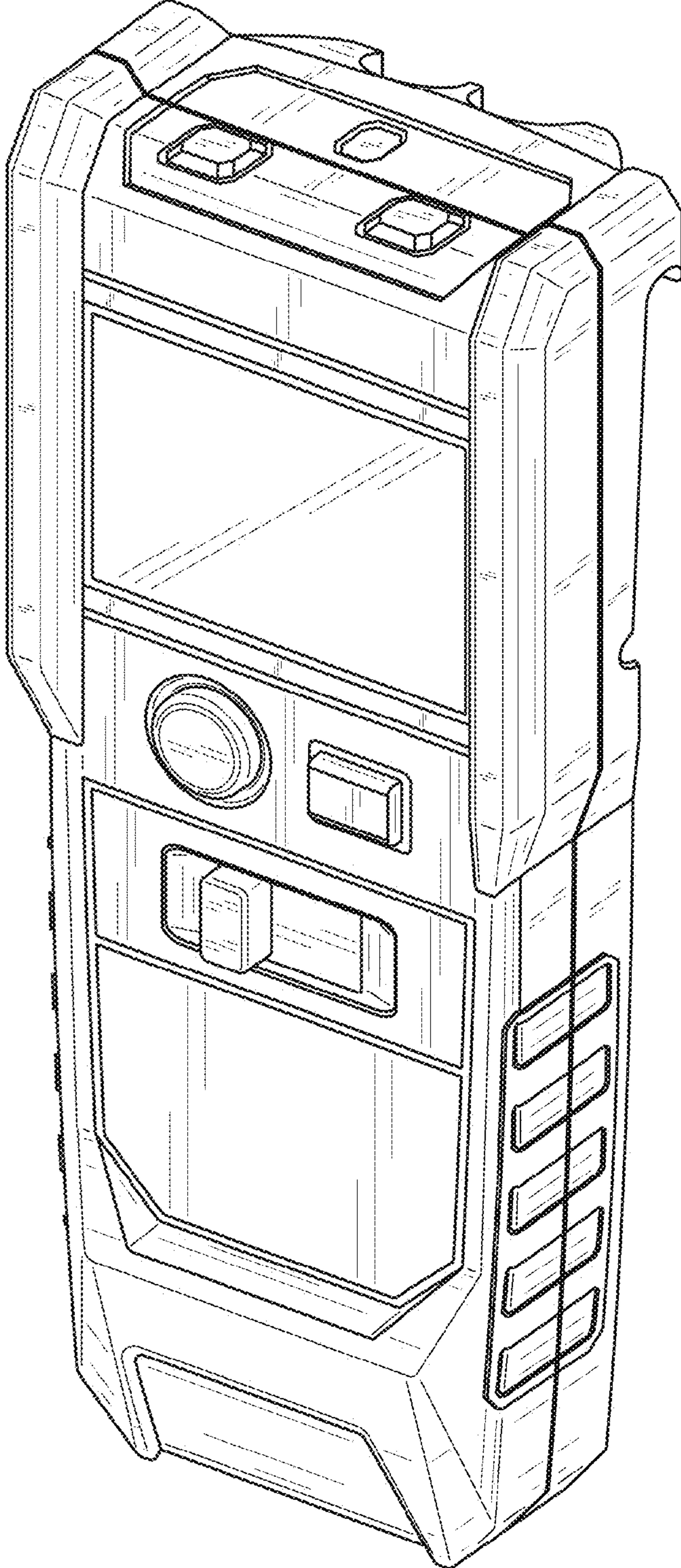


FIG. 1



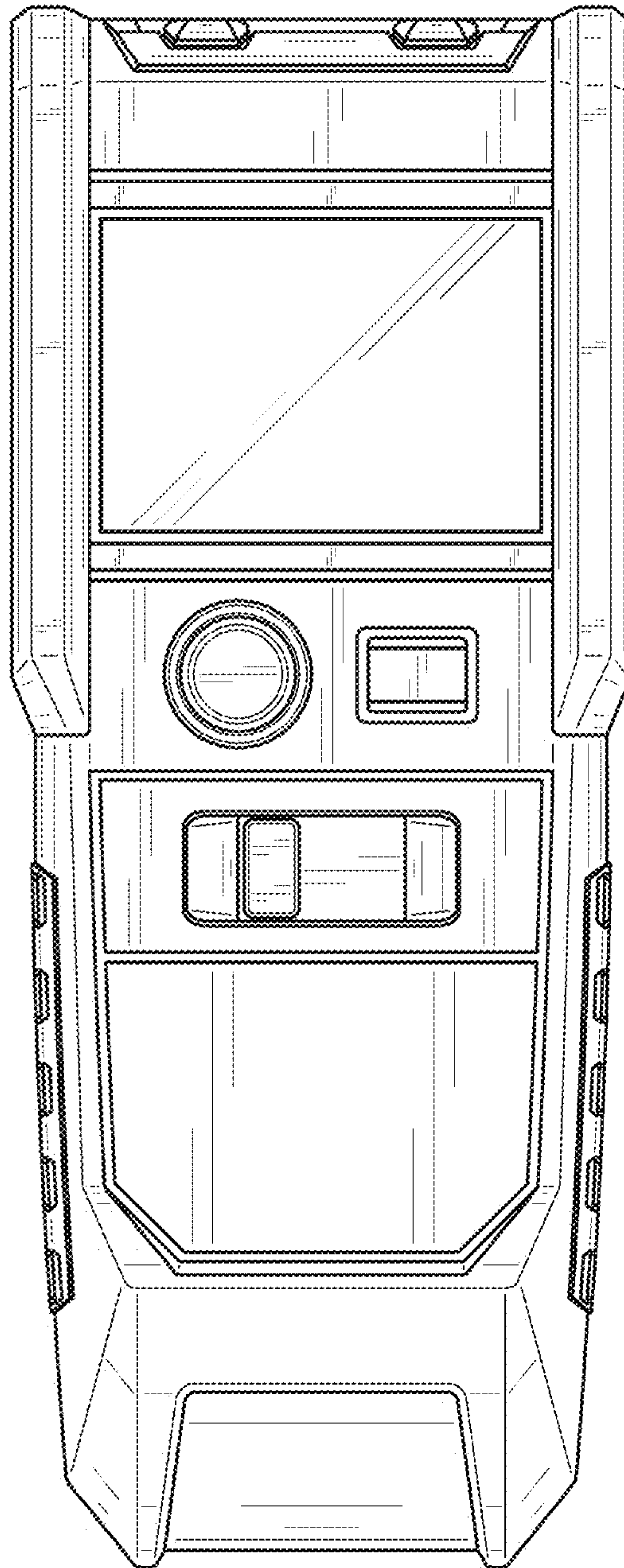


FIG. 2

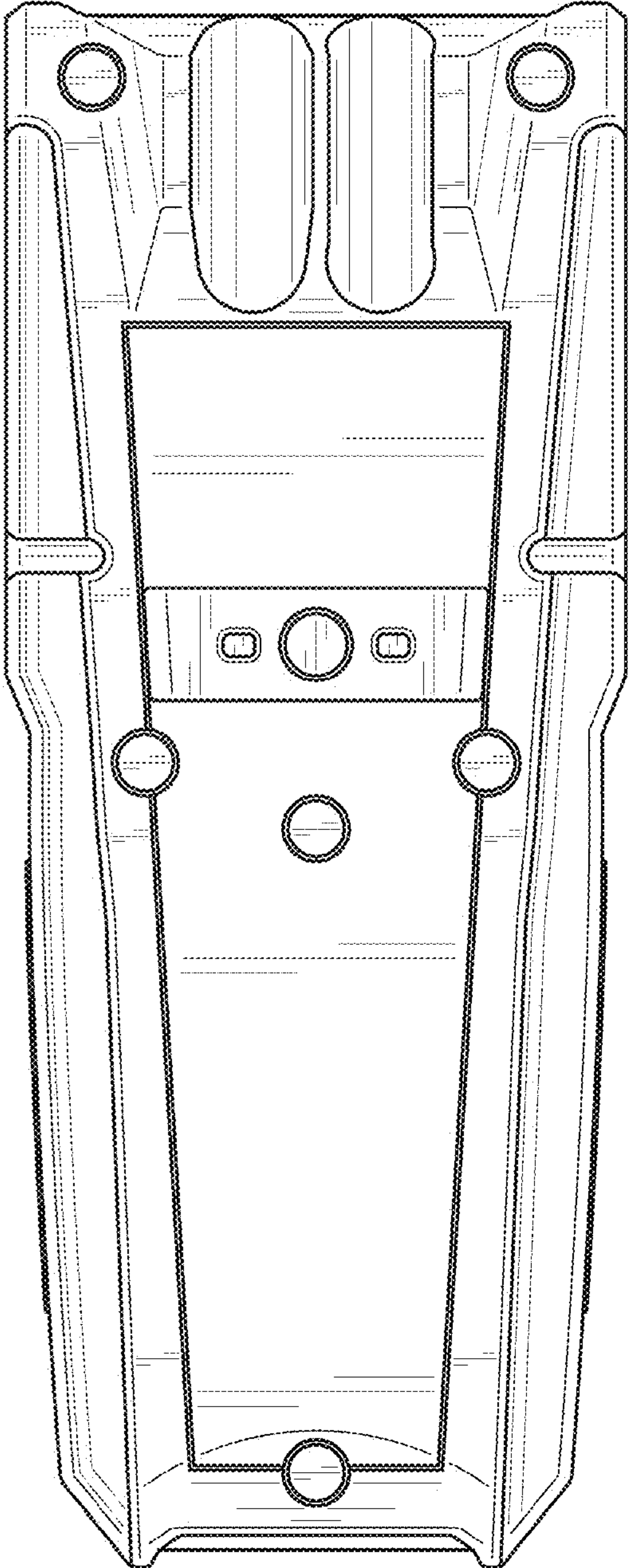


FIG. 3

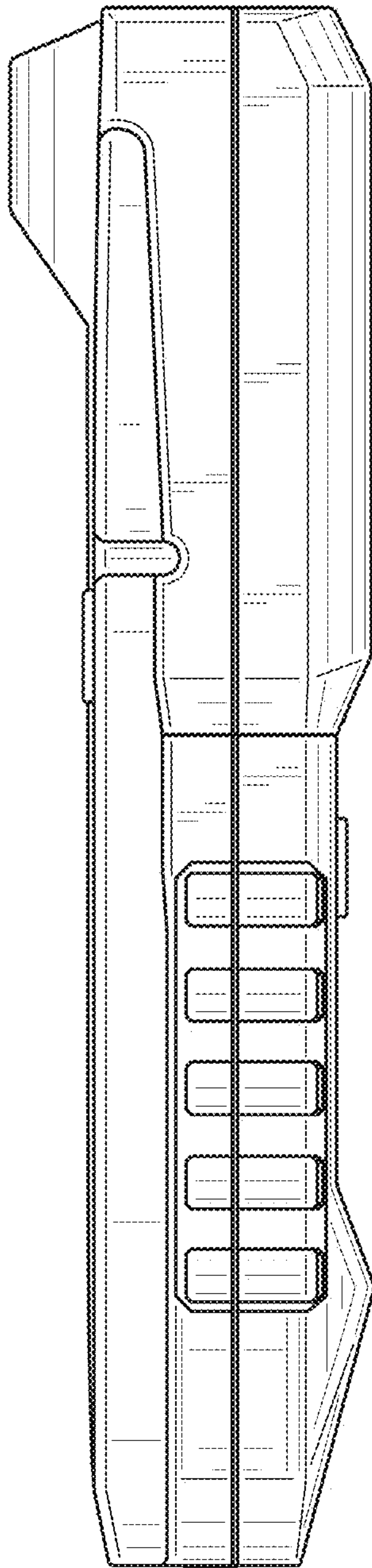


FIG. 4

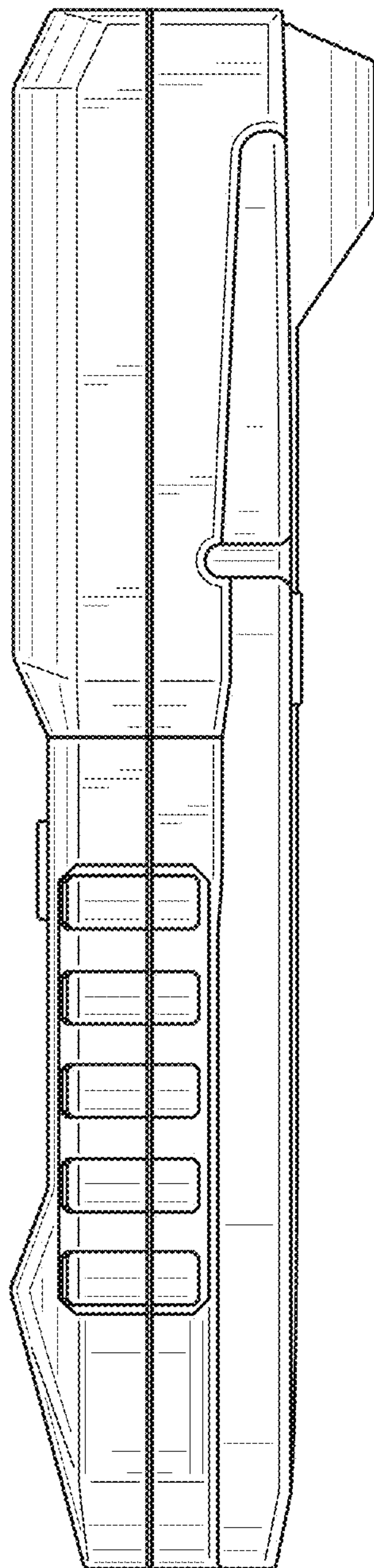


FIG. 5

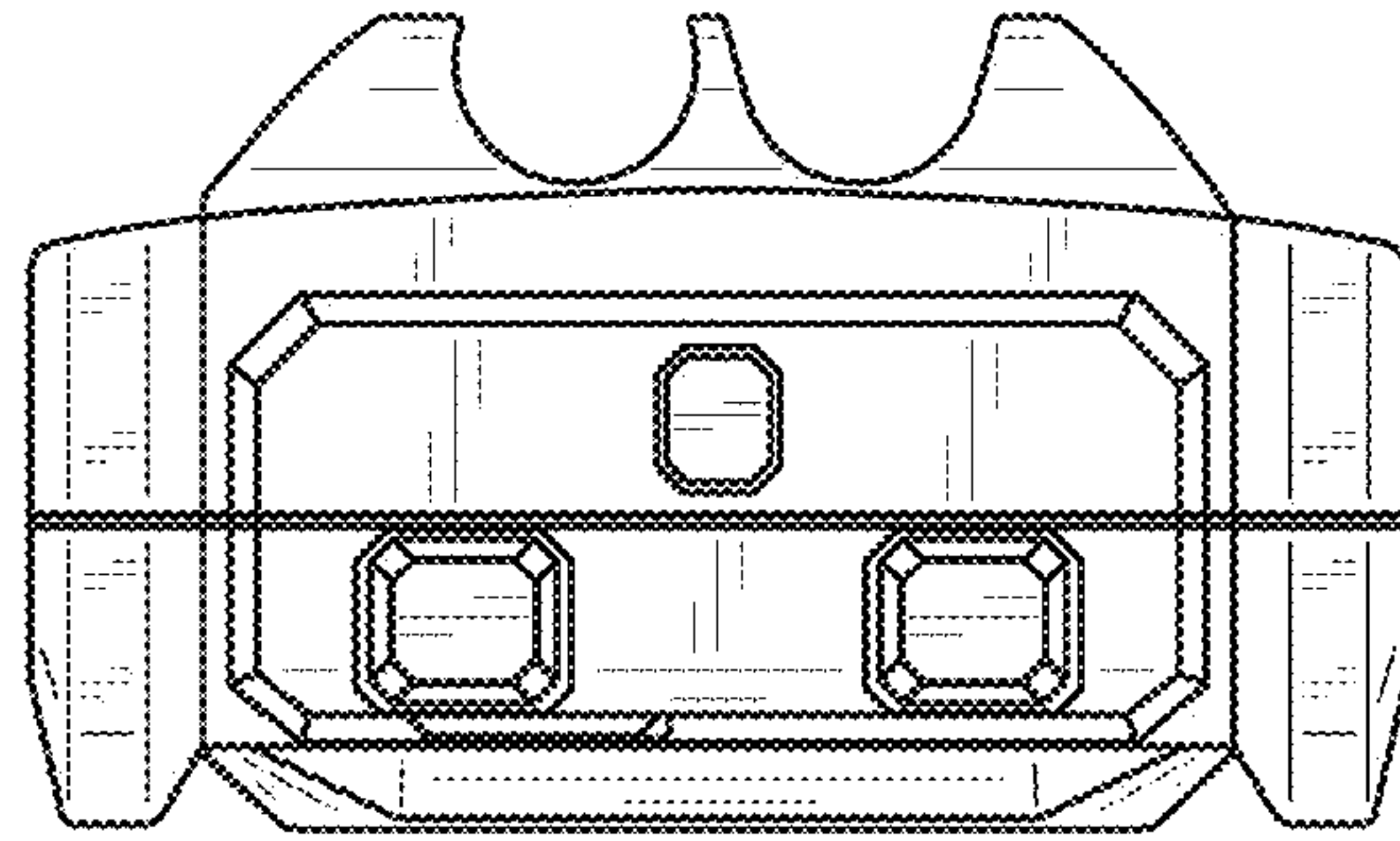


FIG. 6

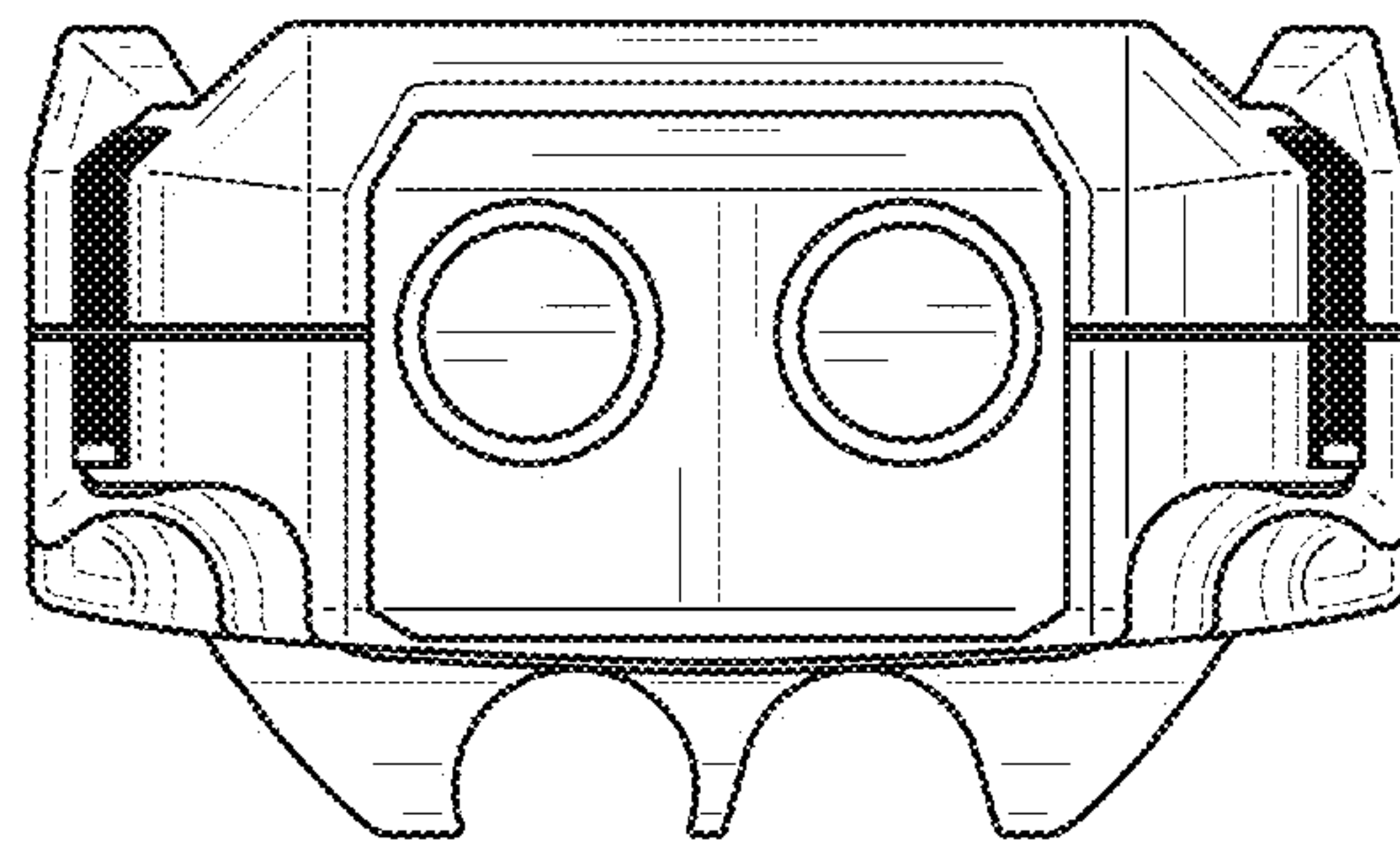


FIG. 7



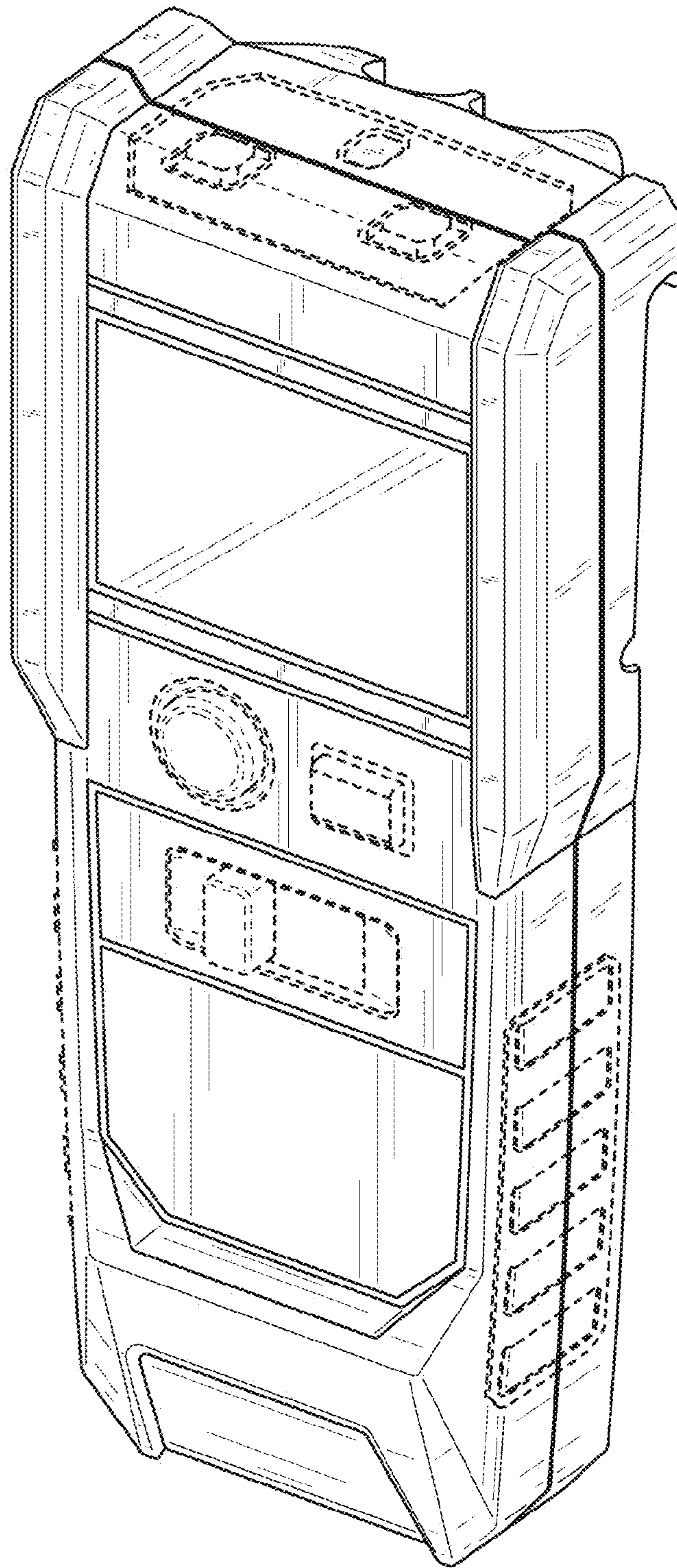


FIG. 8

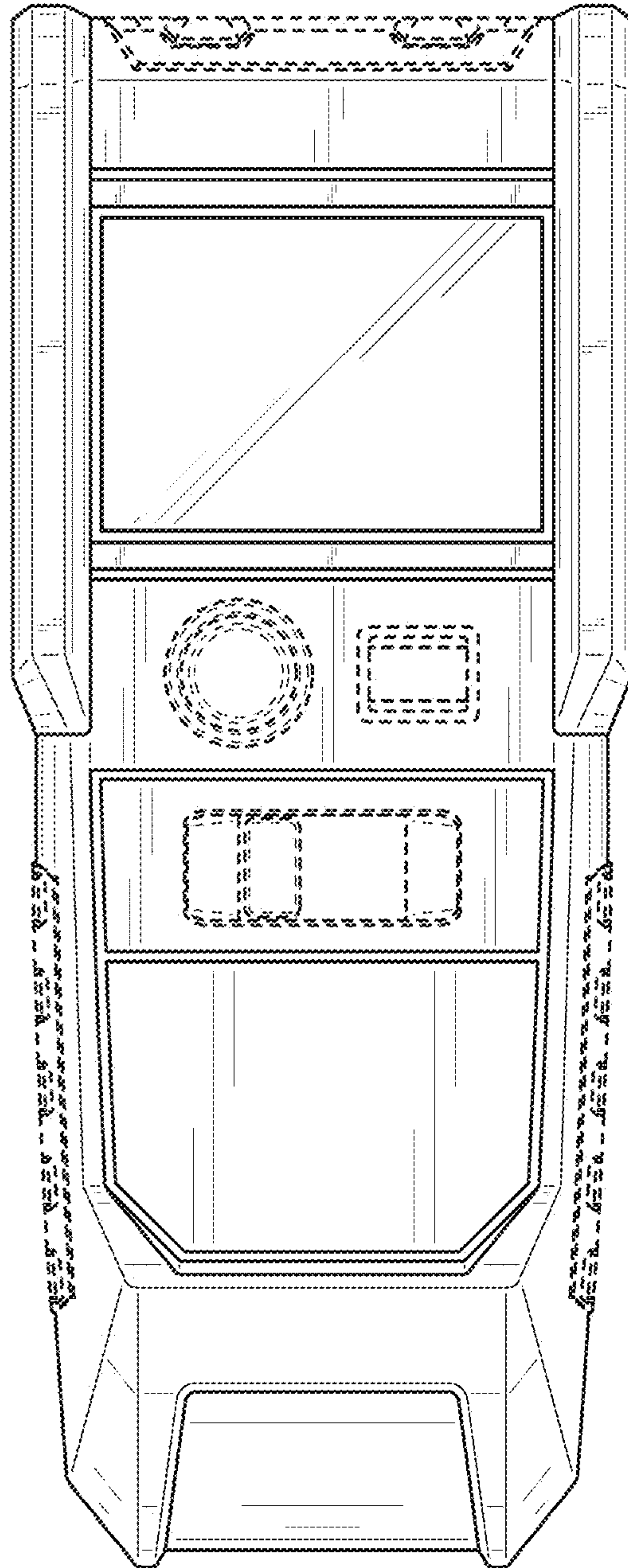


FIG. 9

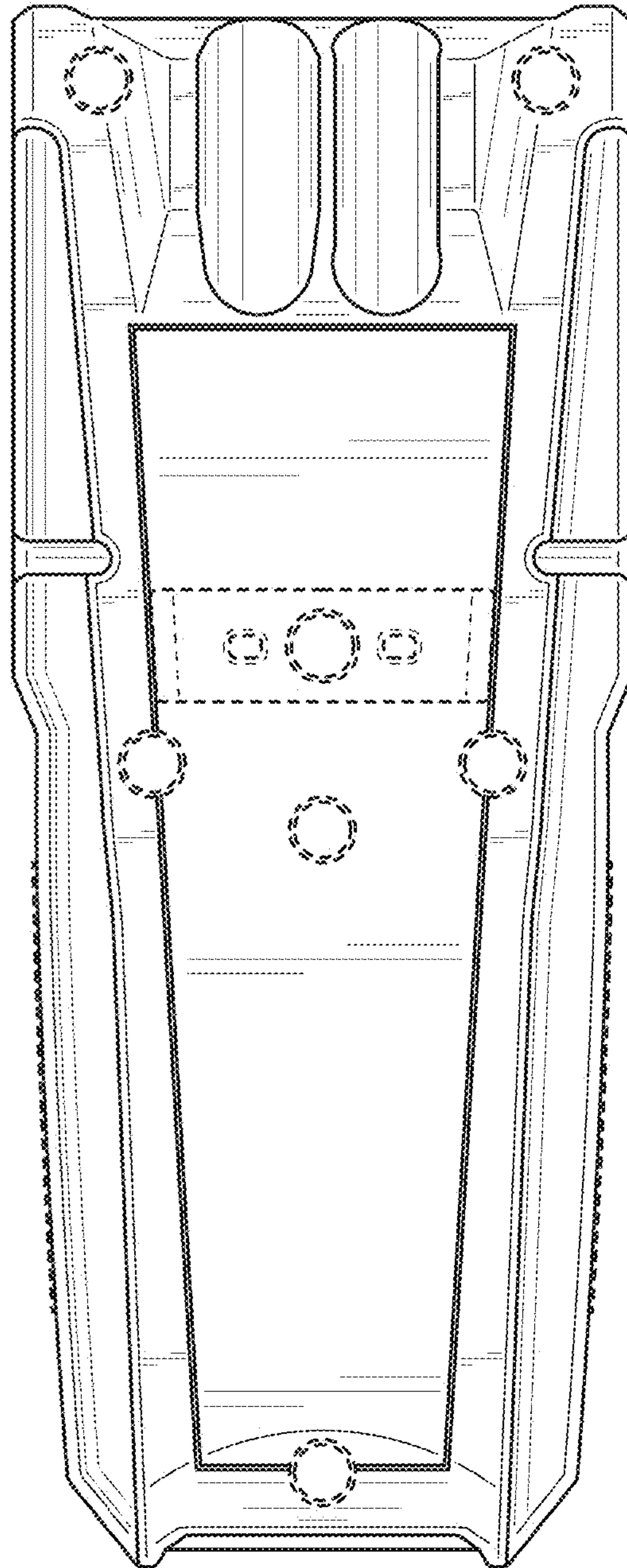


FIG. 10

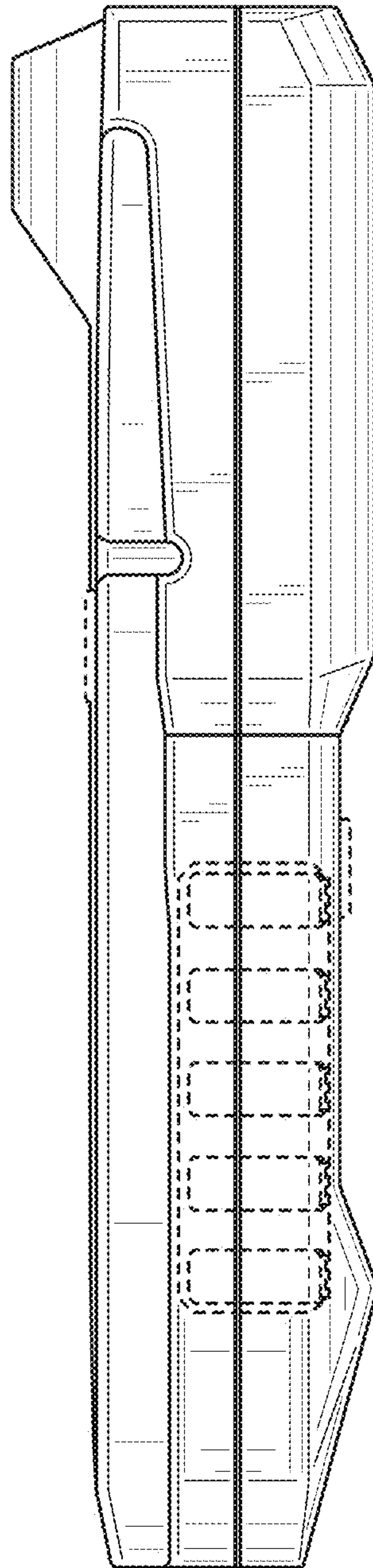


FIG. 11



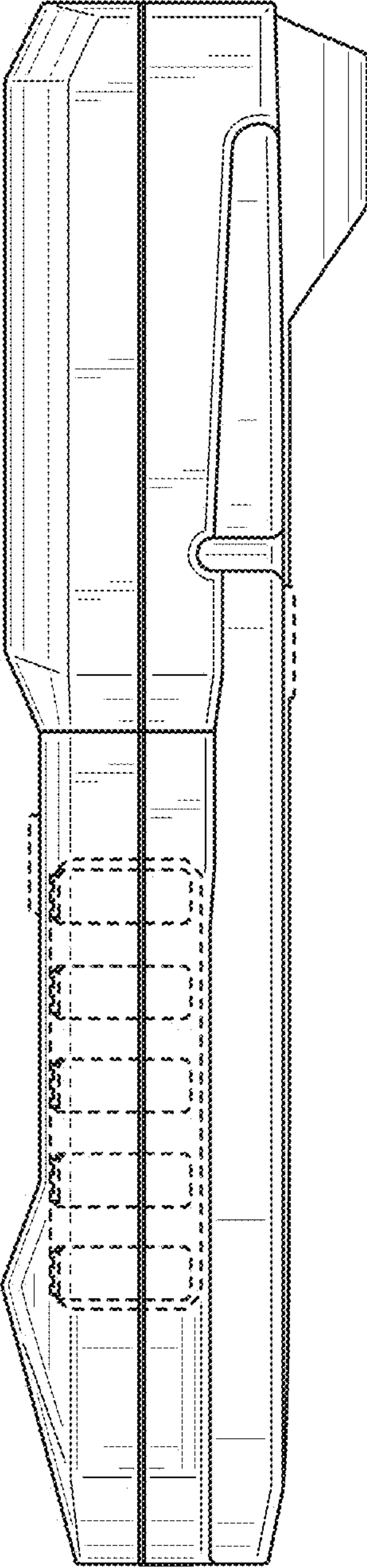


FIG. 12

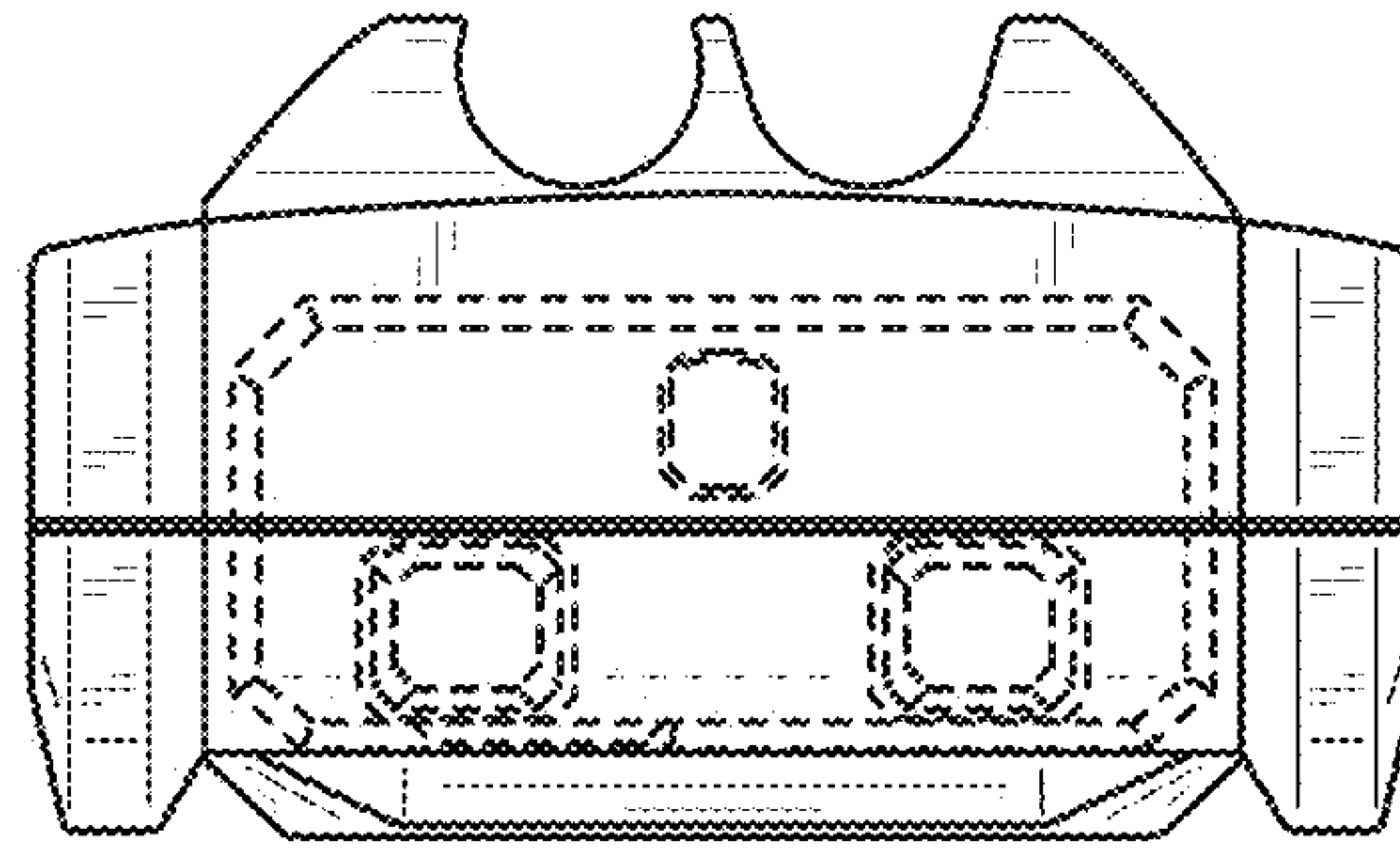


FIG. 13

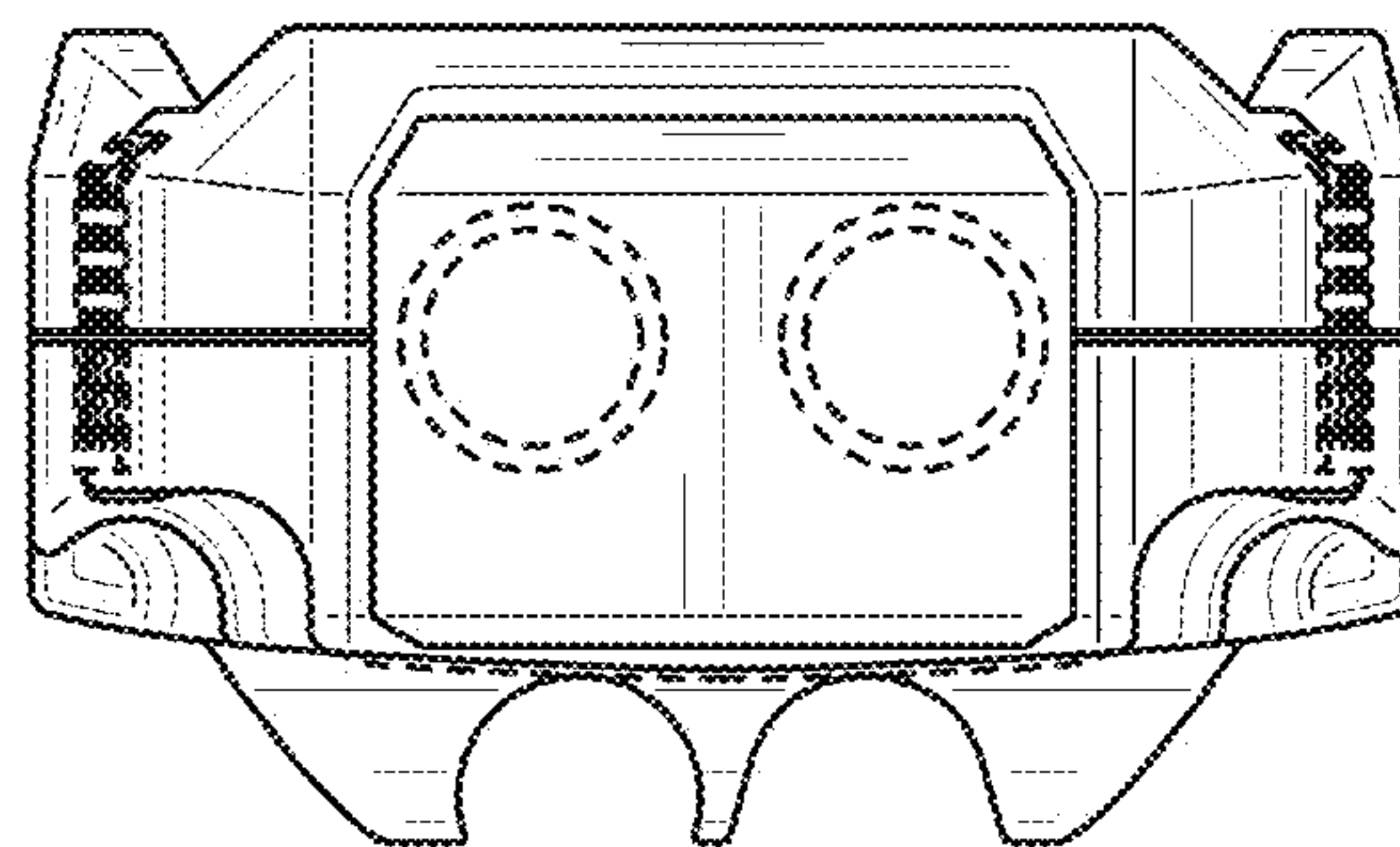


FIG. 14