



US00D724973S

(12) **United States Design Patent**
Ramdial

(10) **Patent No.:** **US D724,973 S**

(45) **Date of Patent:** **** Mar. 24, 2015**

(54) **GROWTH CHART**

(71) Applicant: **Tricia E. Ramdial**, Pembroke Pines, FL (US)

(72) Inventor: **Tricia E. Ramdial**, Pembroke Pines, FL (US)

(**) Term: **14 Years**

(21) Appl. No.: **29/494,578**

(22) Filed: **Jun. 23, 2014**

(51) **LOC (10) Cl.** **10-04**

(52) **U.S. Cl.**
USPC **D10/70; D10/71**

(58) **Field of Classification Search**
CPC A61B 5/1072; G01B 3/02; G01B 3/04;
G01B 5/061; Y10S 33/01
USPC D10/70, 71
See application file for complete search history.

(56) **References Cited**

U.S. PATENT DOCUMENTS

D136,673	S	*	11/1943	Reiter	D10/71
D260,738	S	*	9/1981	Smith	D10/71
5,881,469	A	*	3/1999	Monck	33/494
6,073,359	A	*	6/2000	Lee	33/759
D444,082	S	*	6/2001	Lynberg	D10/70
D617,665	S	*	6/2010	Colonna	D10/70

7,770,301	B1	*	8/2010	Grandberry et al.	33/494
D662,841	S	*	7/2012	Samaras et al.	D10/71
D678,088	S	*	3/2013	Haykeen	D10/70
D678,089	S	*	3/2013	Doppel et al.	D10/71
D699,132	S	*	2/2014	Haykeen	D10/70
2005/0135086	A1	*	6/2005	Meng	362/125
2012/0096726	A1	*	4/2012	Glock, Jr.	33/512
2012/0302923	A1	*	11/2012	Santiago	33/430
2012/0304476	A1	*	12/2012	Doppel et al.	33/700

* cited by examiner

Primary Examiner — Antoine D Davis
(74) *Attorney, Agent, or Firm* — Albert Bordas, P.A.

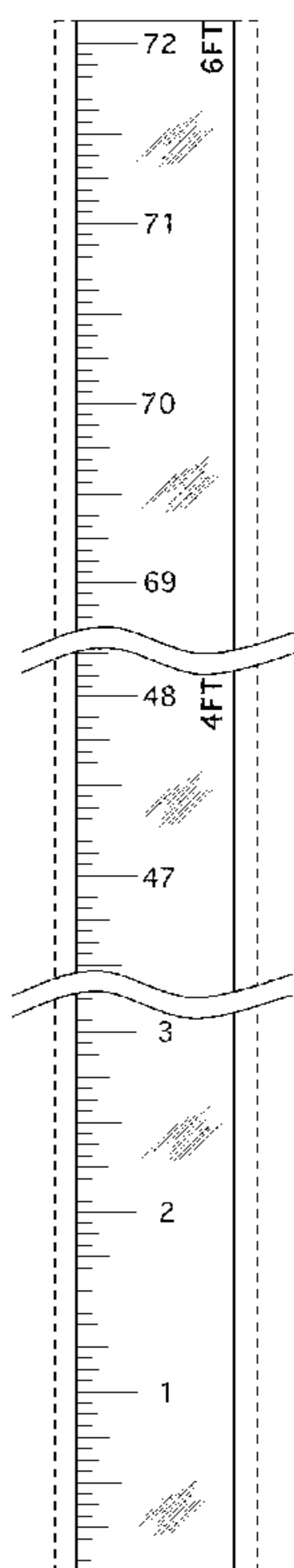
(57) **CLAIM**

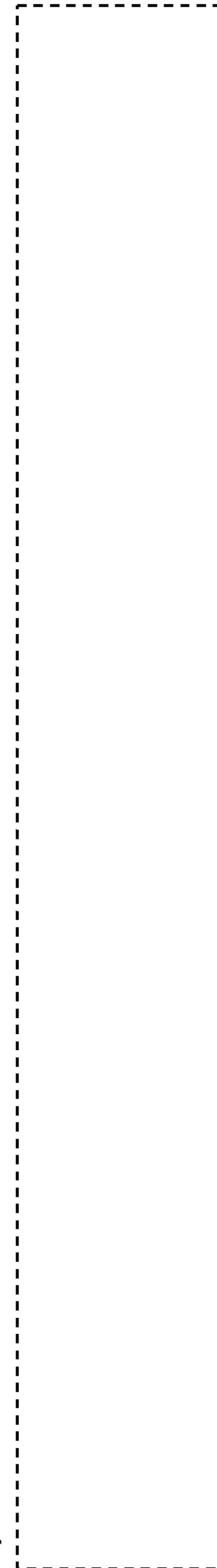
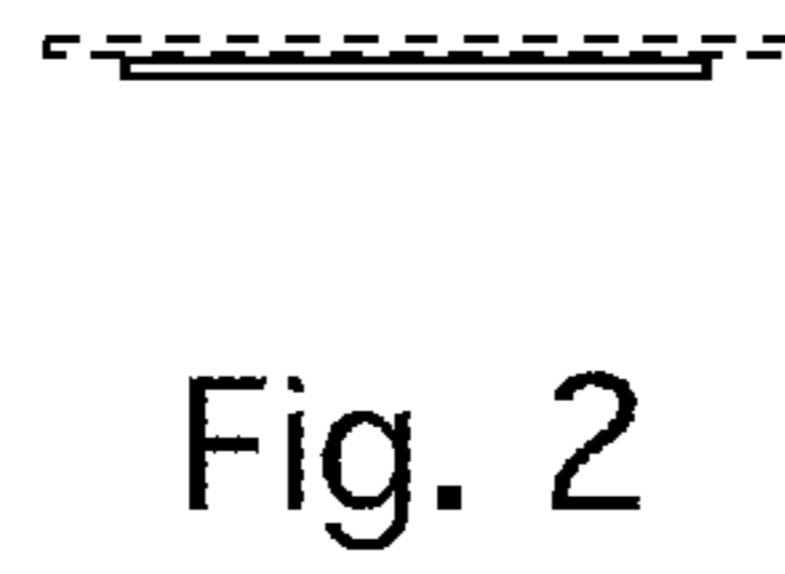
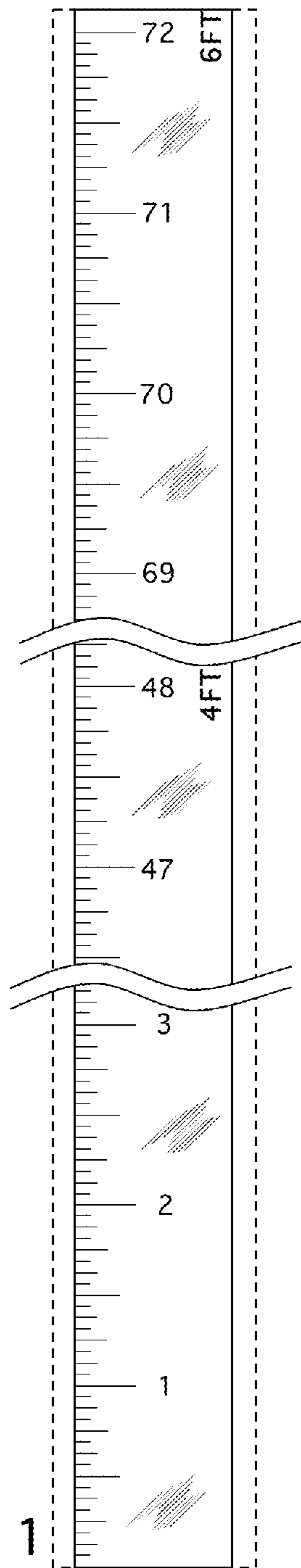
The ornamental design for a growth chart, as shown and described.

DESCRIPTION

FIG. 1 is a front elevational view of a growth chart;
FIG. 2 is a top plan view thereof, the bottom plan view being a mirror image thereof;
FIG. 3 is a right-side elevational view thereof, the left-side elevational view being a mirror image thereof;
FIG. 4 is a rear elevational view thereof; and,
FIG. 5 is an isometric view thereof, showing my design mounted to a doorjamb assembly.
The broken lines are for environmental purposes only and form no part of the claimed design.
The claimed growth chart, affixed to a doorjamb assembly, is used to measure a person's growth.

1 Claim, 2 Drawing Sheets





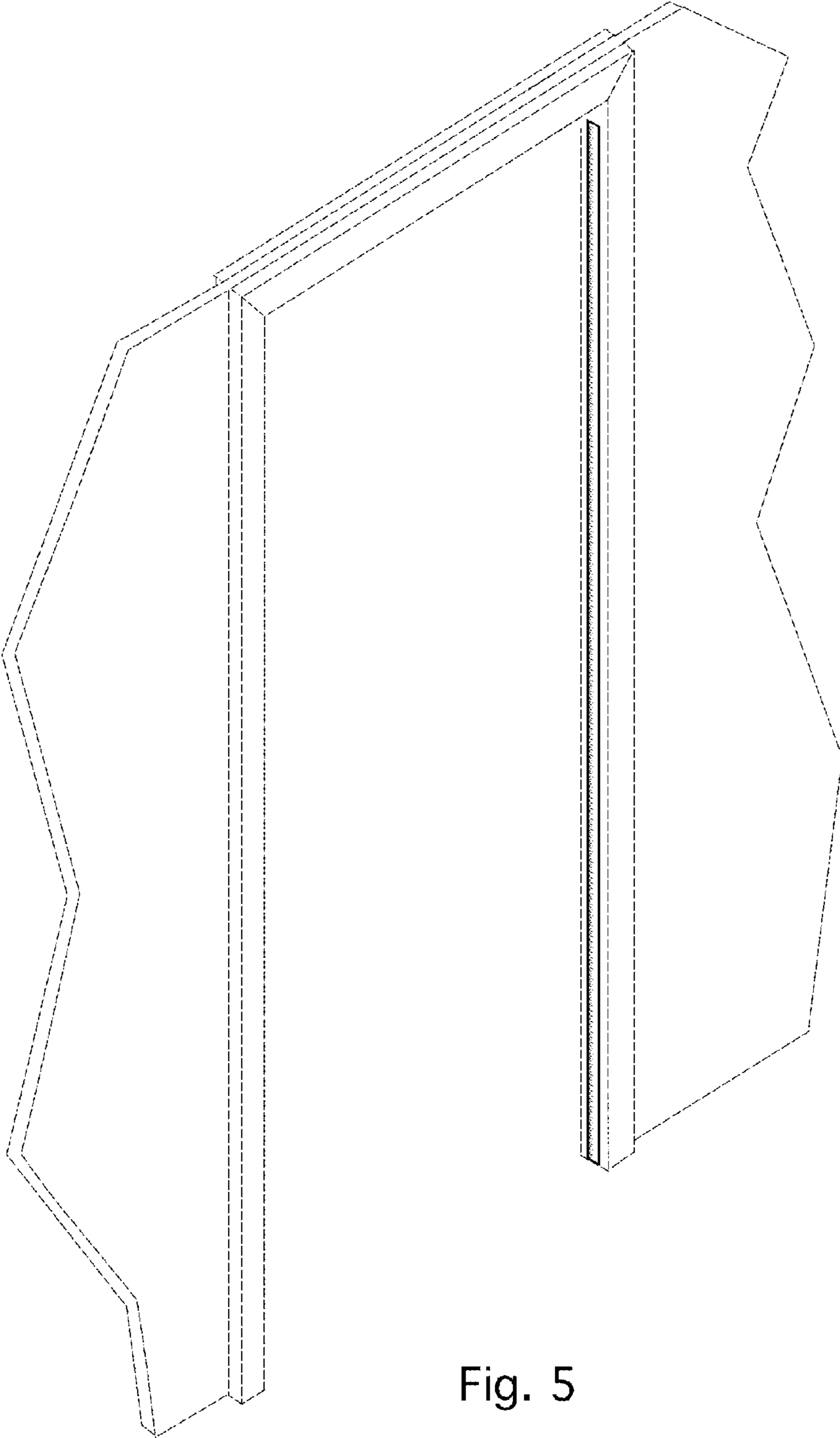


Fig. 5