



US00D724971S

(12) **United States Design Patent**
Bailey et al.

(10) **Patent No.:** **US D724,971 S**
(45) **Date of Patent:** **** Mar. 24, 2015**

(54) **WRIST MONITOR**

(71) Applicants: **Melanie Bailey**, Firth, NE (US); **Connie Ballew**, Lincoln, NE (US); **James Segermark**, Gem Lake, MN (US)

(72) Inventors: **Melanie Bailey**, Firth, NE (US); **Connie Ballew**, Lincoln, NE (US); **James Segermark**, Gem Lake, MN (US)

(73) Assignee: **Pacific Place Enterprises, LLC**, Lincoln, NE (US)

(**) Term: **14 Years**

(21) Appl. No.: **29/490,250**

(22) Filed: **May 8, 2014**

Related U.S. Application Data

(63) Continuation of application No. 14/246,001, filed on Apr. 4, 2014, and a continuation-in-part of application No. 12/799,243, filed on Apr. 21, 2010, now abandoned.

(51) **LOC (10) Cl.** **10-04**

(52) **U.S. Cl.**

USPC **D10/70; D10/78**

(58) **Field of Classification Search**

CPC G08G 1/096883; G08G 1/096872; G08G 1/096775; G01C 21/16; G01C 21/3688; G01C 21/30; G01V 8/20; G01J 5/02; G01J 5/023; G01J 5/24; G01J 5/10; G01J 5/20; G01J 5/0235; G01J 5/08; G01J 5/0853; G01J 5/33; G01J 5/34

USPC D10/30-39, 65, 70, 78, 97, 98, 103; D11/3; D13/173-177; D14/138 R, D14/203.5, 247, 338-340, 344, 346, 347; D24/167, 168

See application file for complete search history.

(56) **References Cited**

U.S. PATENT DOCUMENTS

4,675,659 A 6/1987 Jenkins et al.
5,505,199 A 4/1996 Kim

(Continued)

Primary Examiner — Antoine D Davis

(74) *Attorney, Agent, or Firm* — Adams Grumbles, LLP; Brittany Nanzig

(57) **CLAIM**

The ornamental design for a wrist monitor, as shown and described.

DESCRIPTION

FIG. 1 is a front view of a wrist monitor showing our new design.

FIG. 2 is a back view of the wrist monitor.

FIG. 3 a right side view of the wrist monitor.

FIG. 4 is a left side view of the wrist monitor.

FIG. 5 is a bottom view of the wrist monitor.

FIG. 6 is a top left front perspective view of the wrist monitor.

FIG. 7 is a top left back perspective view of the wrist monitor.

FIG. 8 is a bottom right front perspective view of the wrist monitor.

FIG. 9 is a bottom right back perspective view of the wrist monitor.

FIG. 10 is a front view of a minimally modified variation of the wrist monitor of FIG. 1.

FIG. 11 is a back view of the wrist monitor of FIG. 10.

FIG. 12 is a right side view of the wrist monitor of FIG. 10.

FIG. 13 is a left side view of the wrist monitor of FIG. 10.

FIG. 14 is a bottom view of the wrist monitor of FIG. 10.

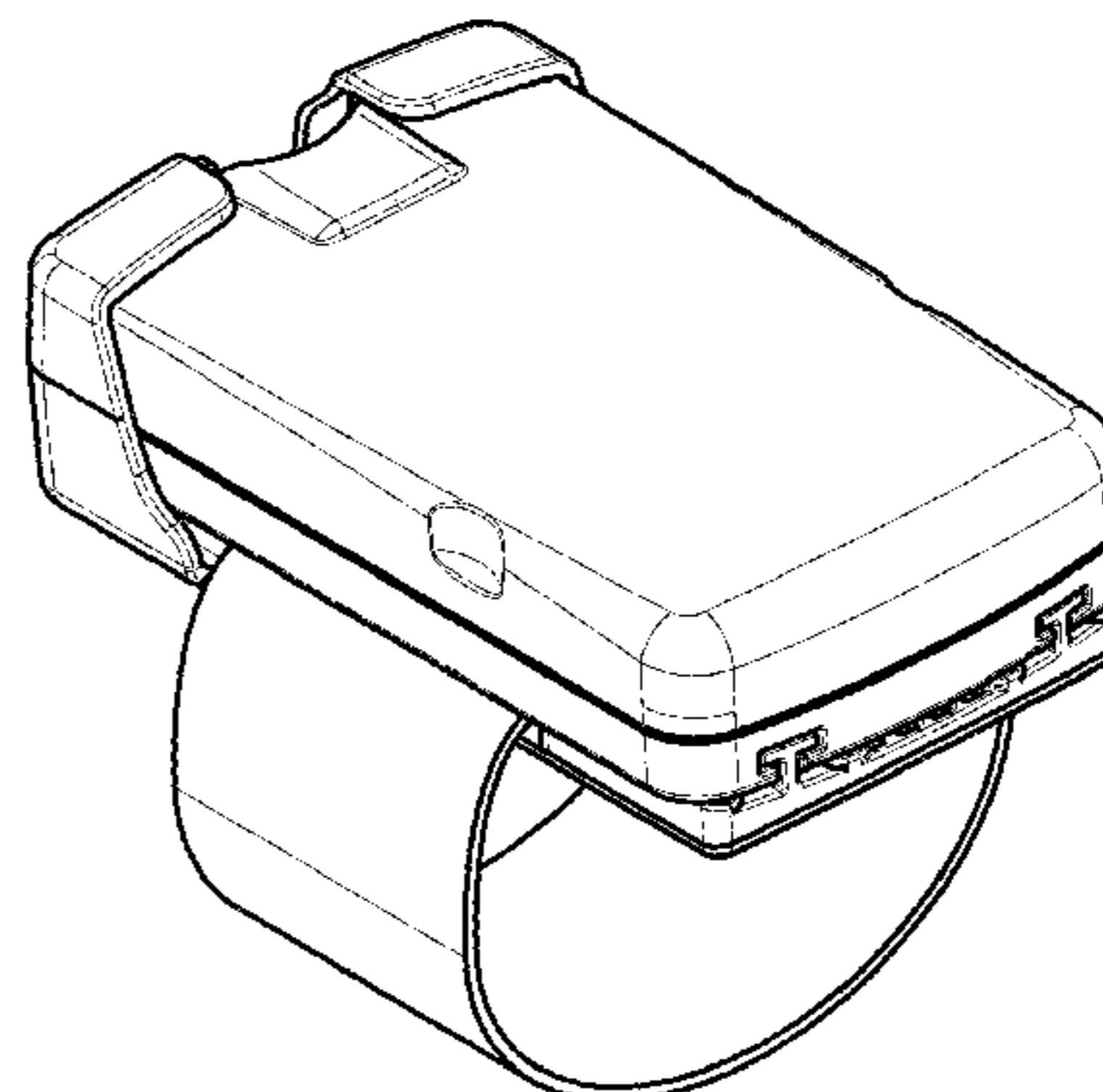
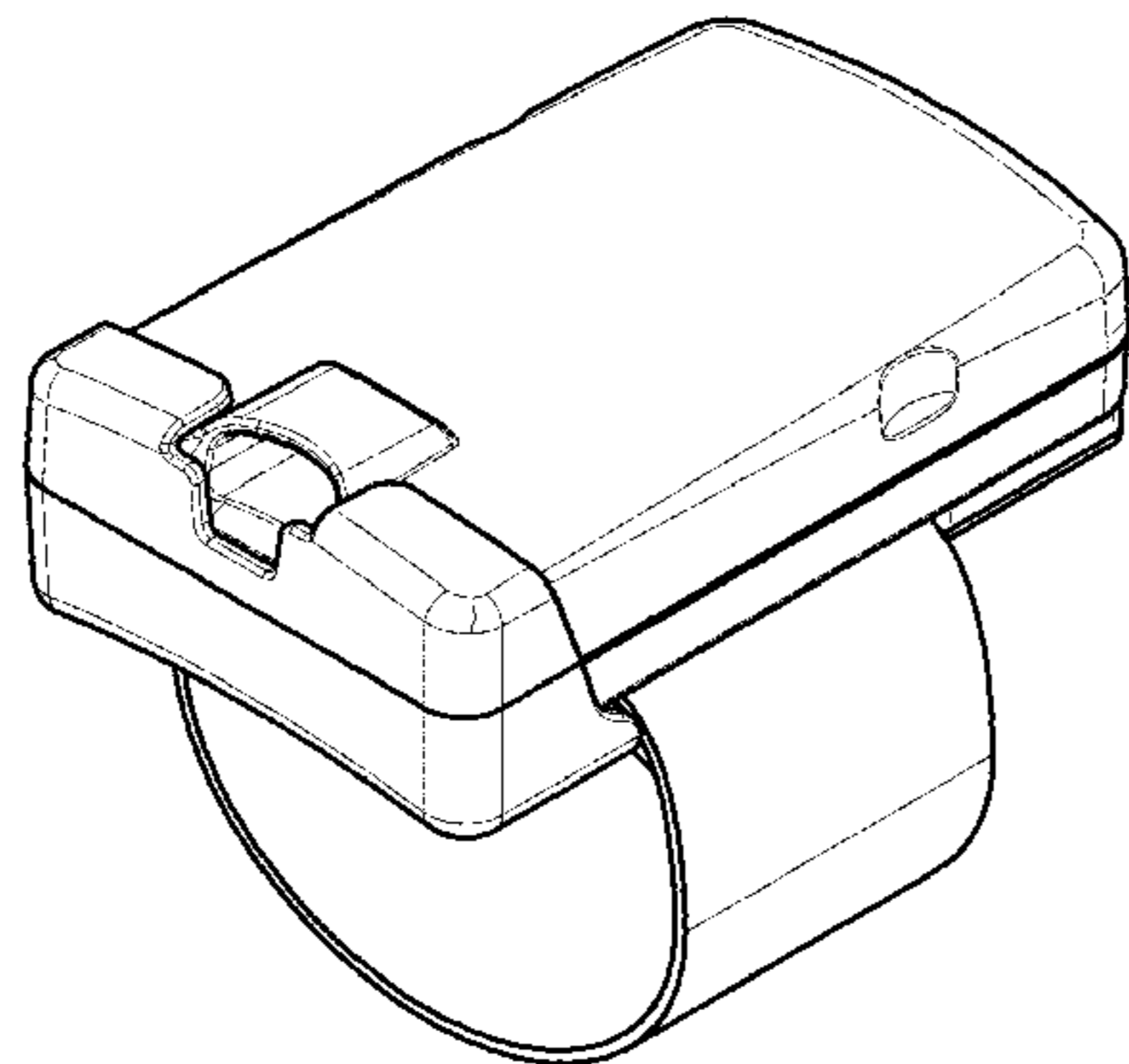
FIG. 15 is a top left front perspective view of the wrist monitor of FIG. 10.

FIG. 16 is a top left back perspective view of the wrist monitor of FIG. 10.

FIG. 17 is a bottom right front perspective view of the wrist monitor of FIG. 10; and,

FIG. 18 is a bottom right back perspective view of the wrist monitor of FIG. 10.

1 Claim, 18 Drawing Sheets



(56)

References Cited

U.S. PATENT DOCUMENTS

6,144,303 A 11/2000 Federman
6,397,093 B1 5/2002 Aldrich
6,553,242 B1 4/2003 Sarussi
7,423,526 B2 9/2008 Despotis

7,666,151 B2 2/2010 Sullivan et al.
D664,046 S * 7/2012 Claessens D10/32
D705,086 S * 5/2014 Adio D10/39
D709,846 S * 7/2014 Oswaks D14/138 R
2002/0133067 A1 9/2002 Jackson
2005/0038326 A1 2/2005 Mathur
2011/0178375 A1 7/2011 Forster

* cited by examiner

FIG. 1

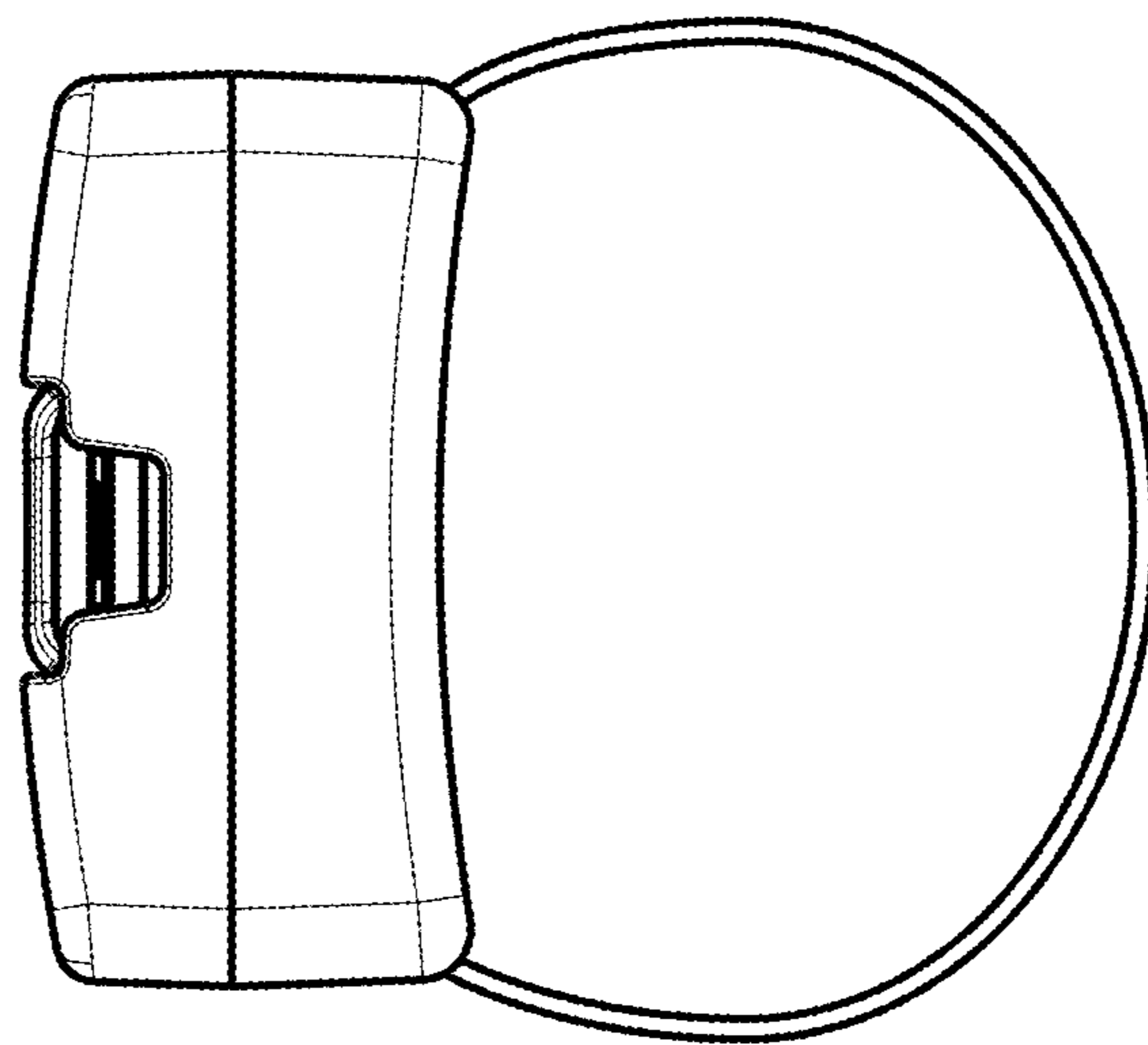


FIG. 2

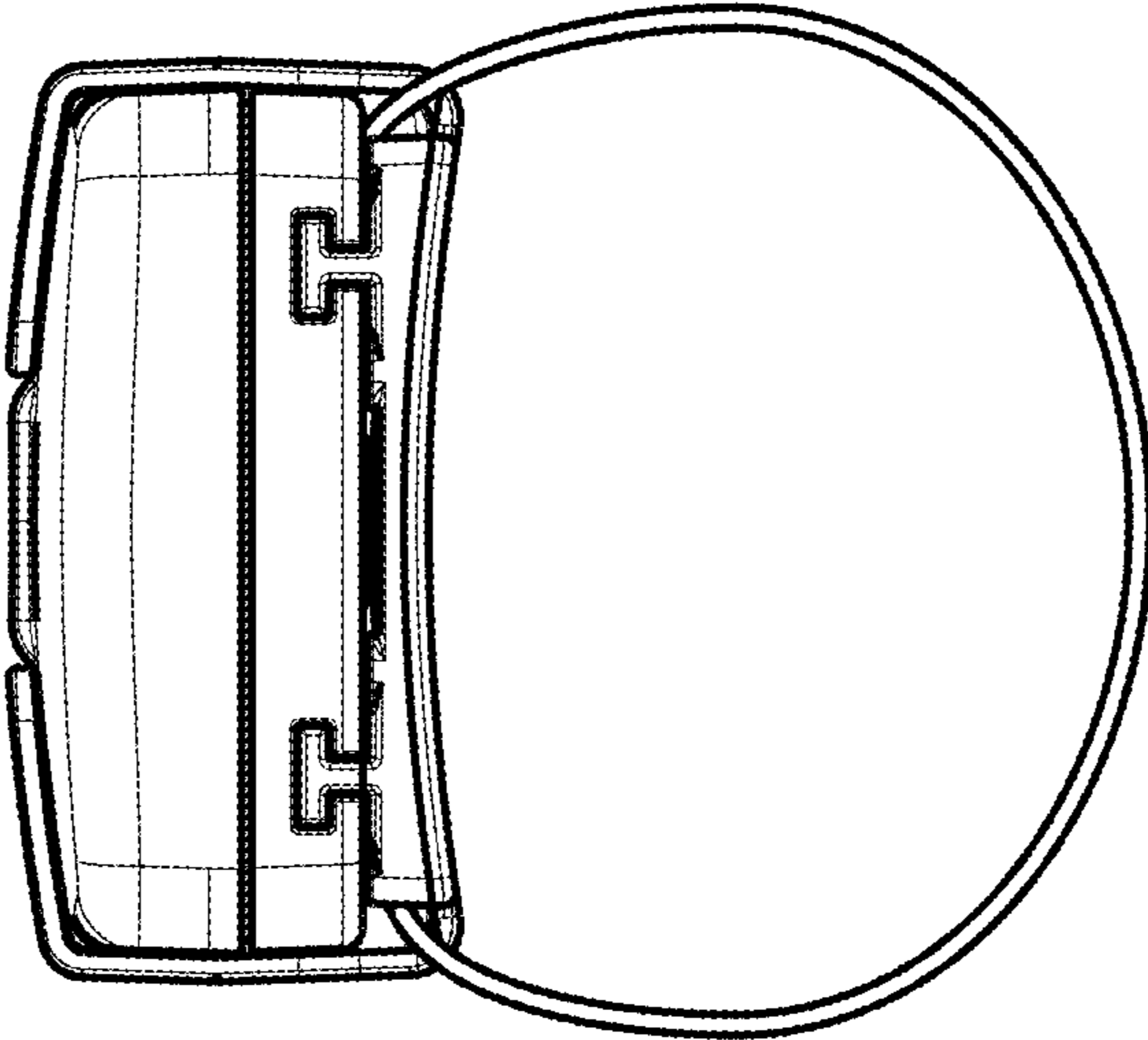


FIG. 3

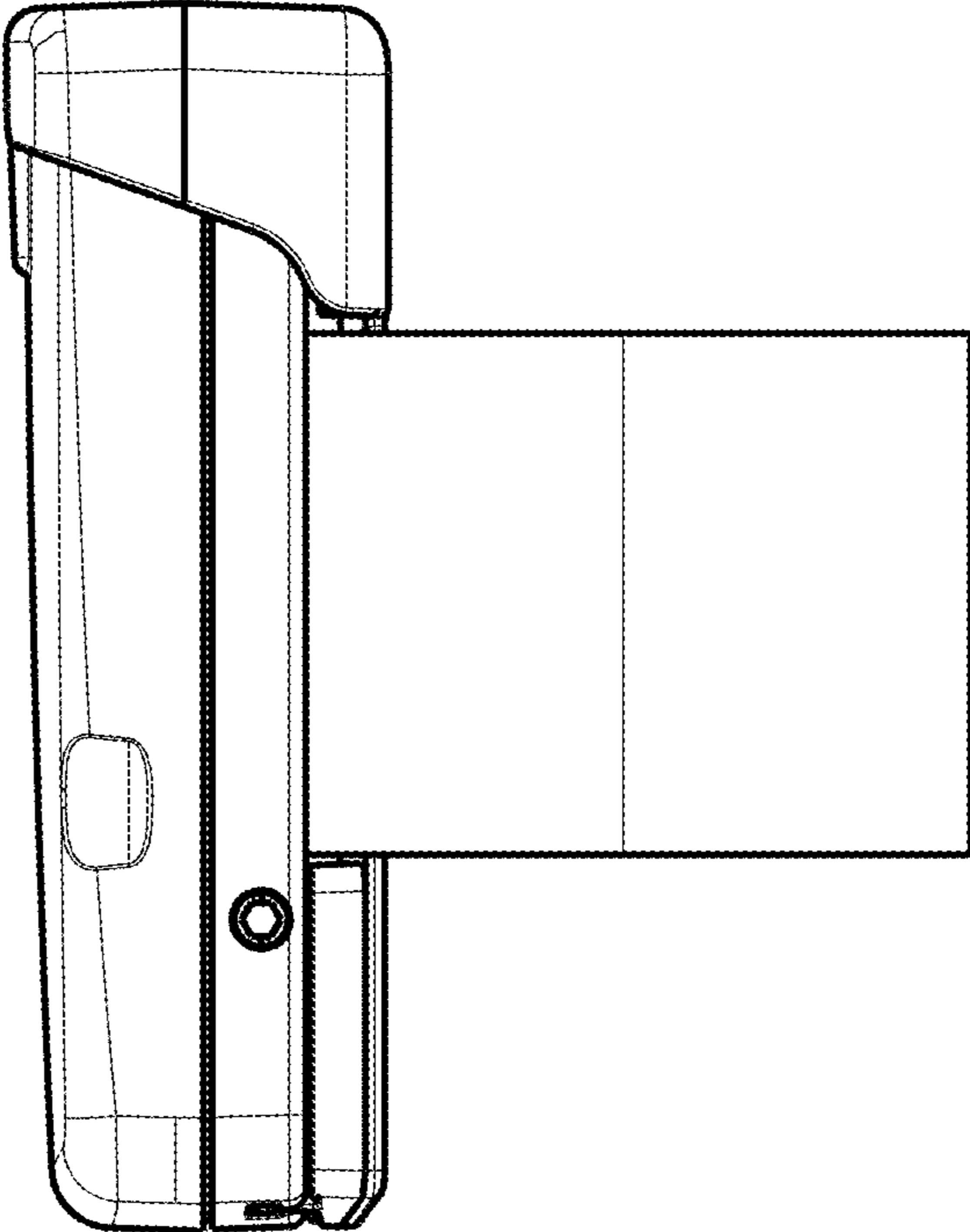


FIG. 4

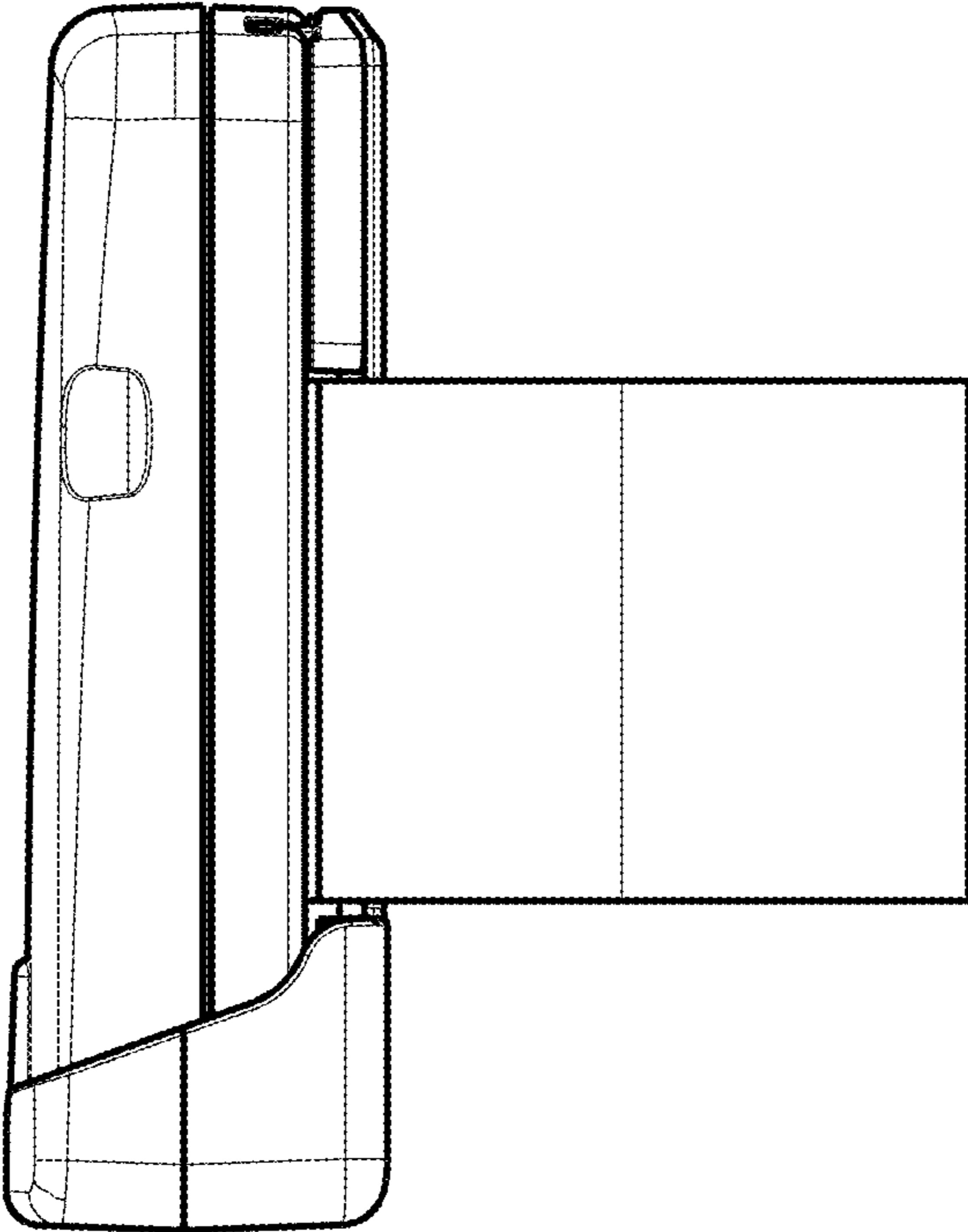


FIG. 5

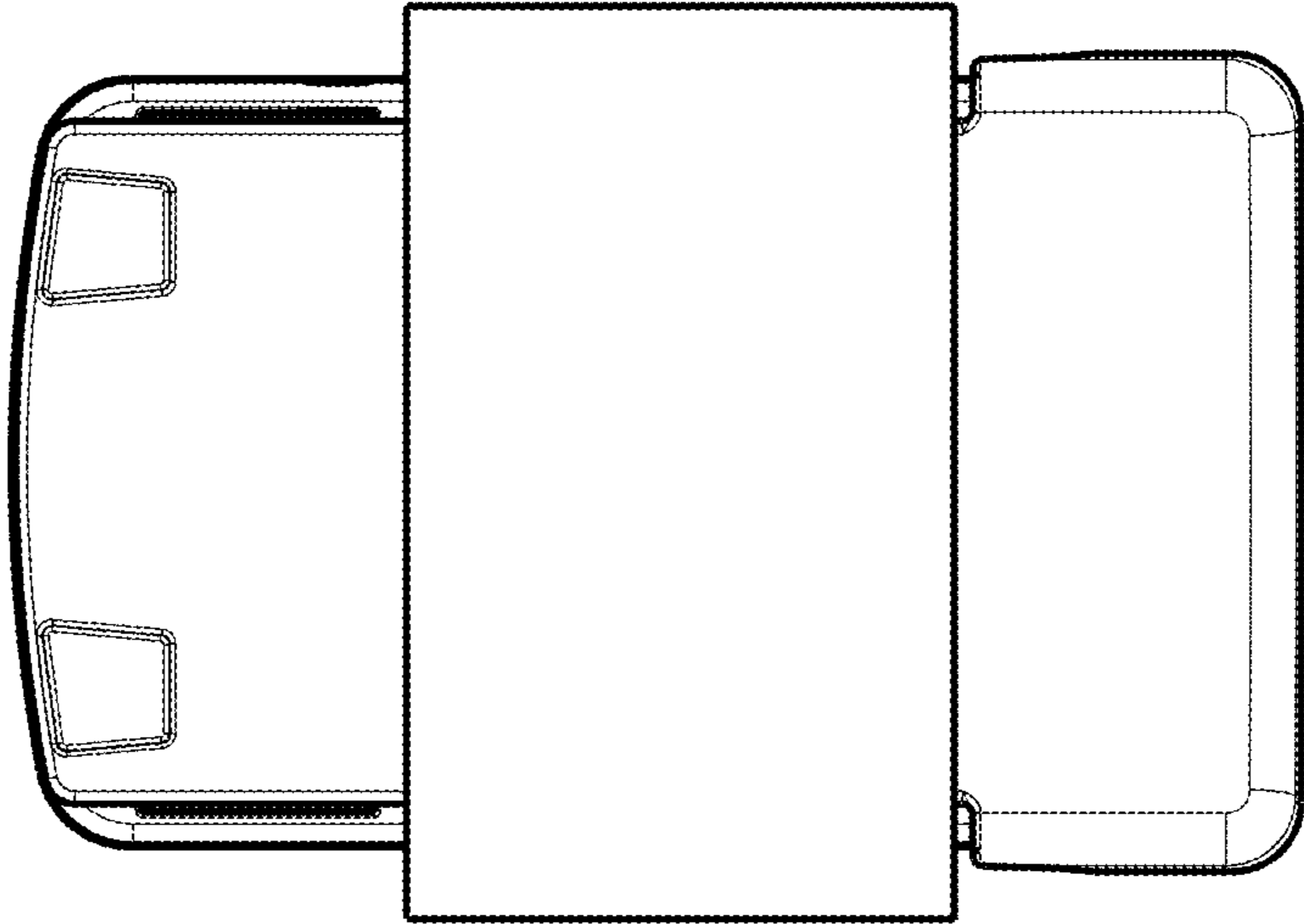


FIG. 6

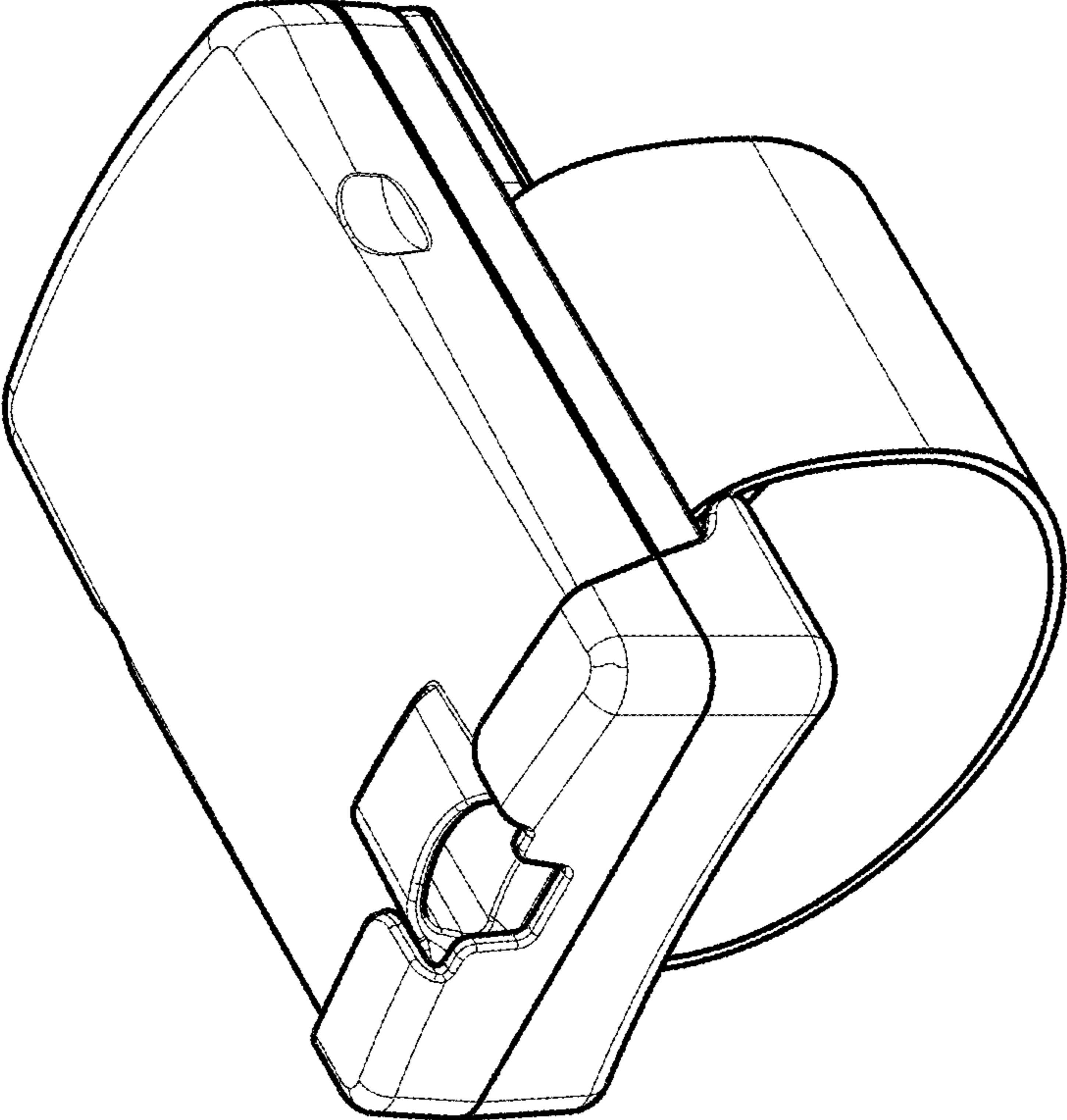


FIG. 7

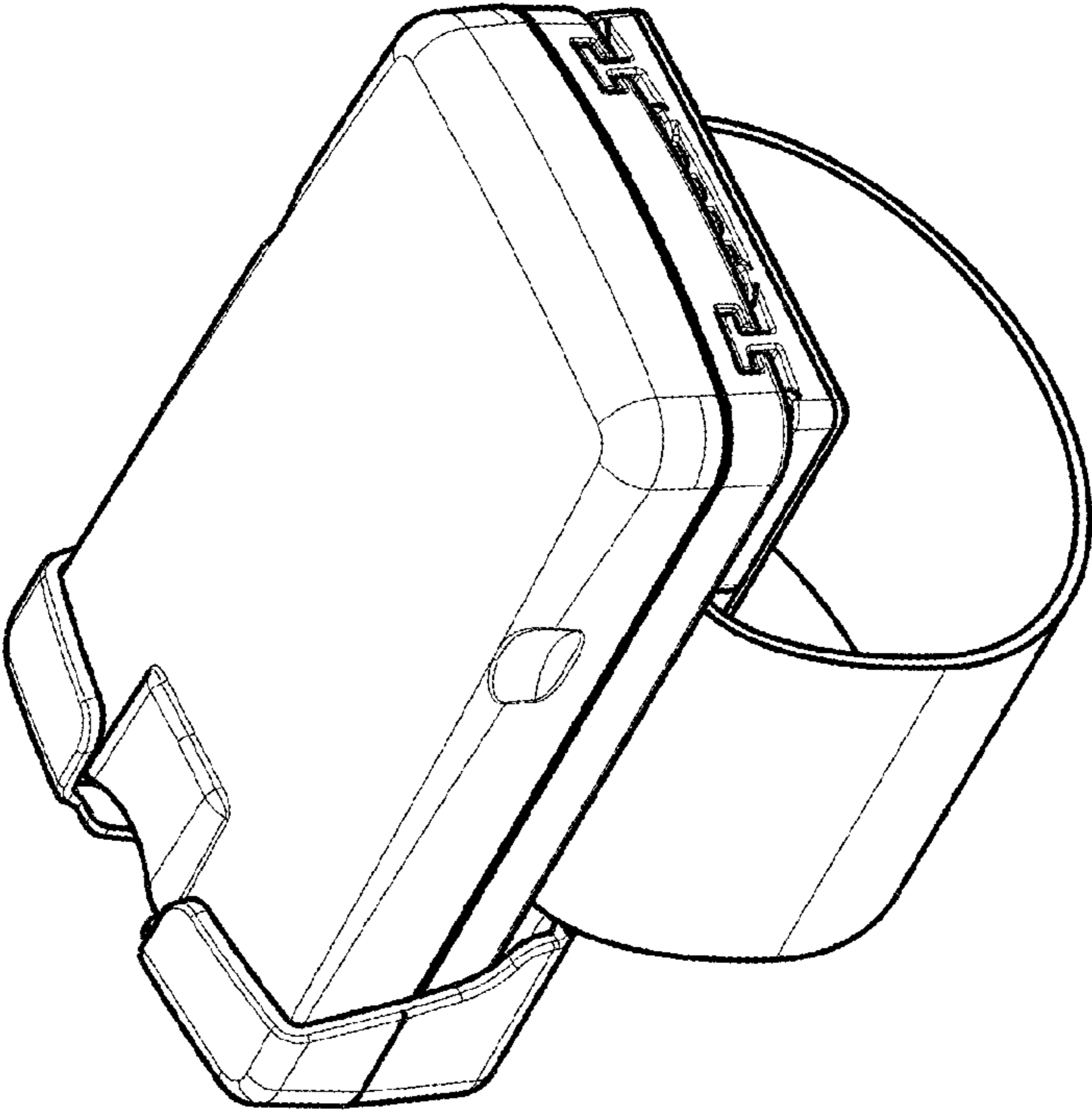


FIG. 8

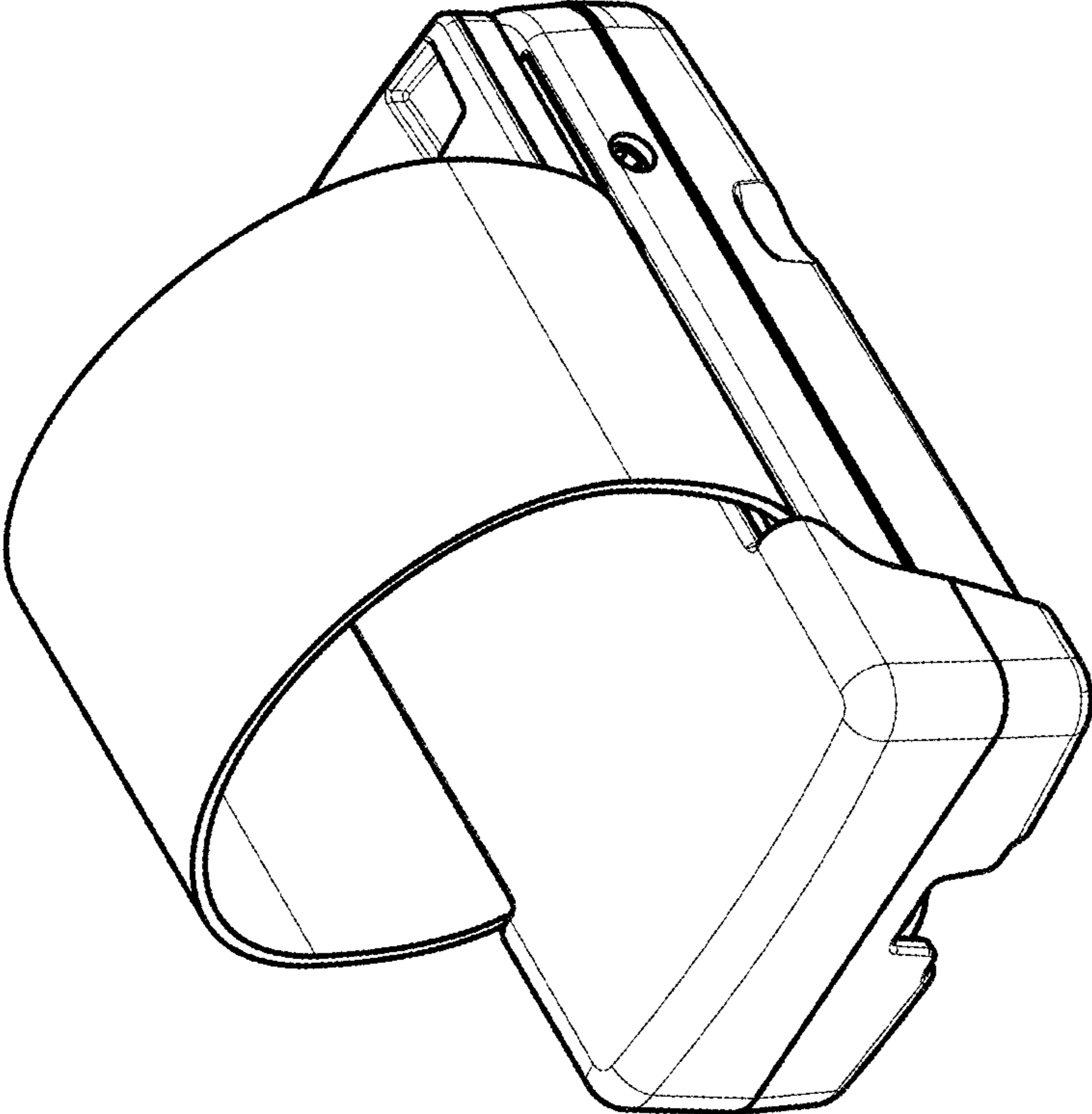


FIG. 9

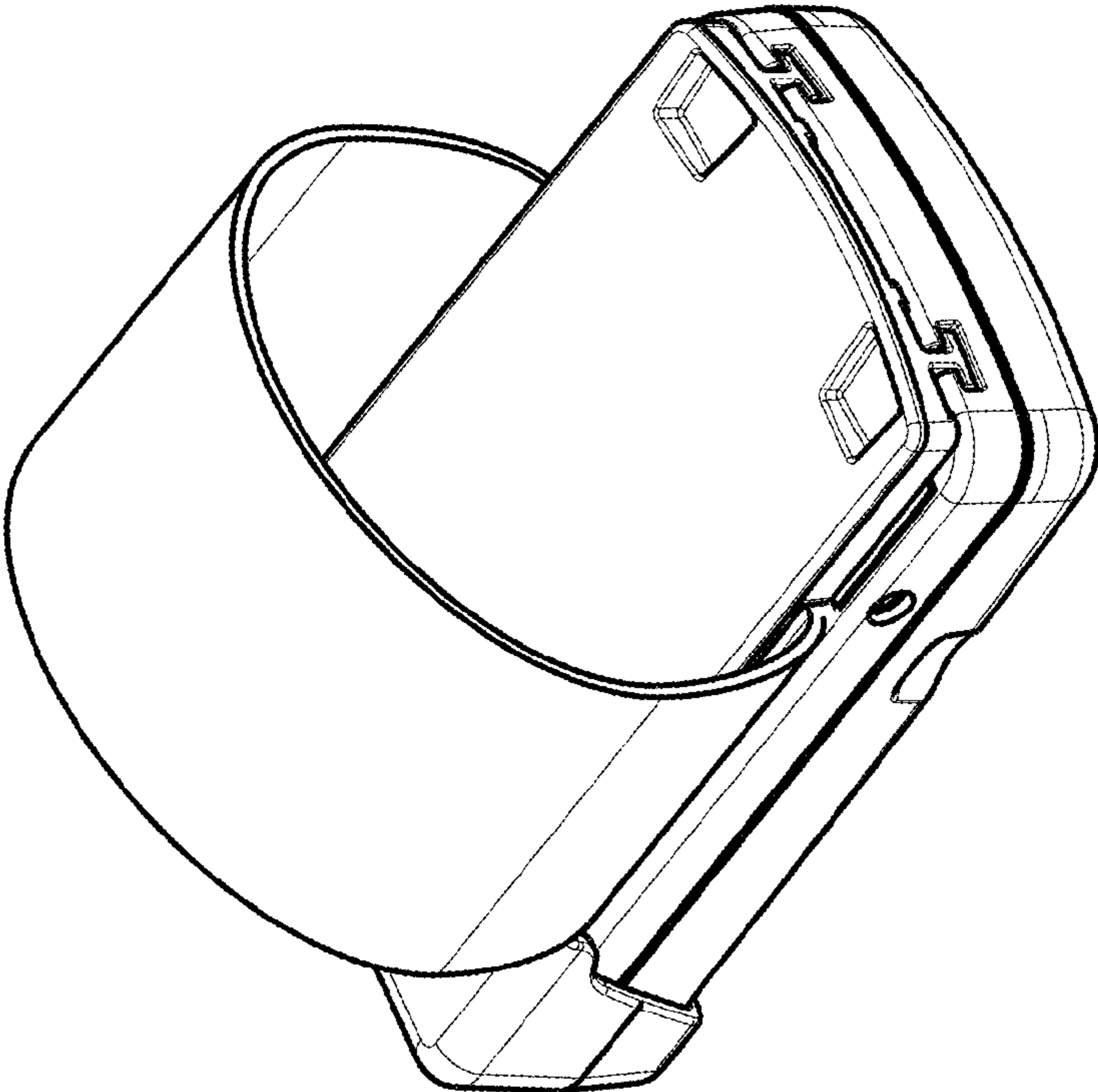


FIG. 10

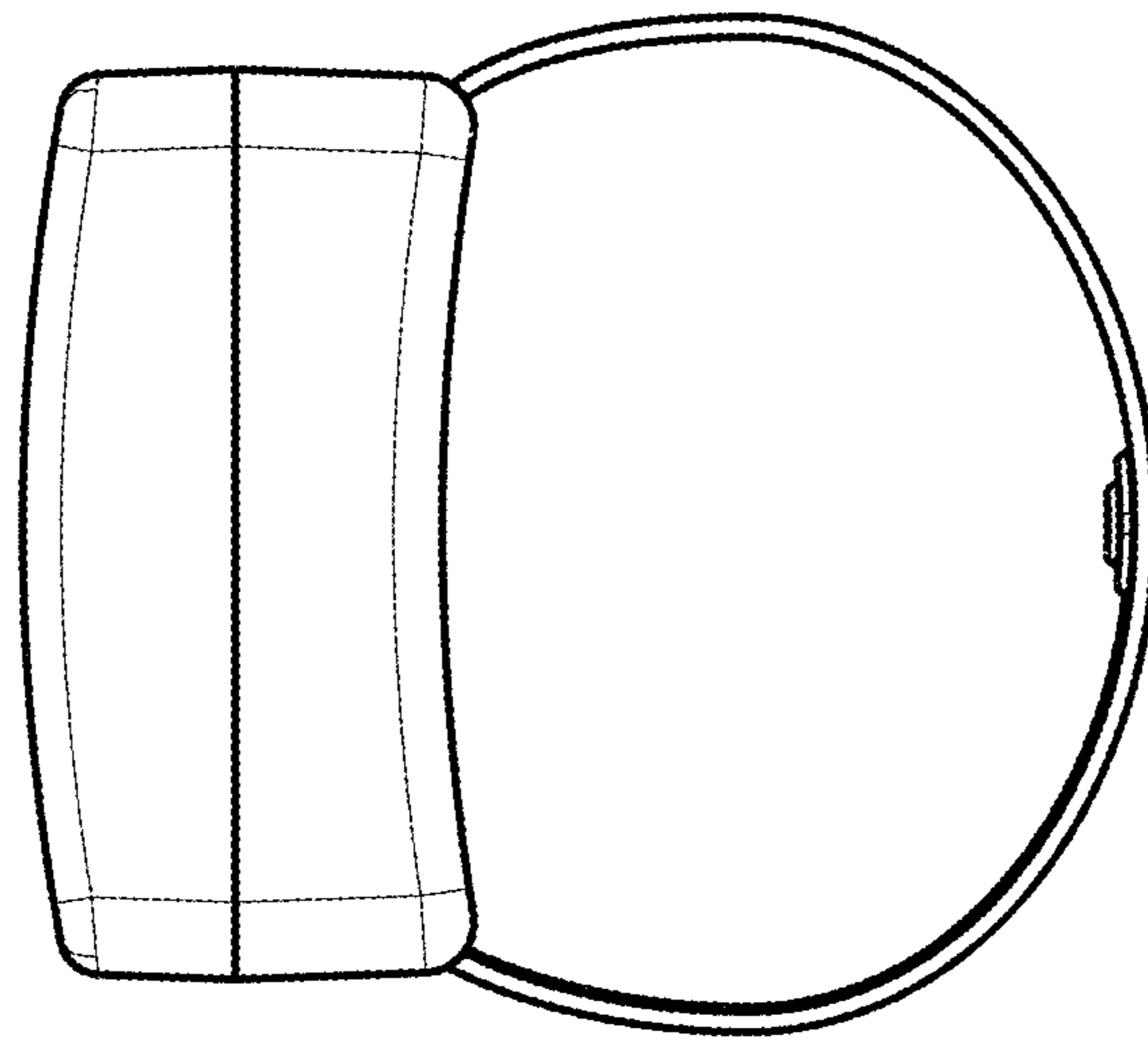


FIG. 11

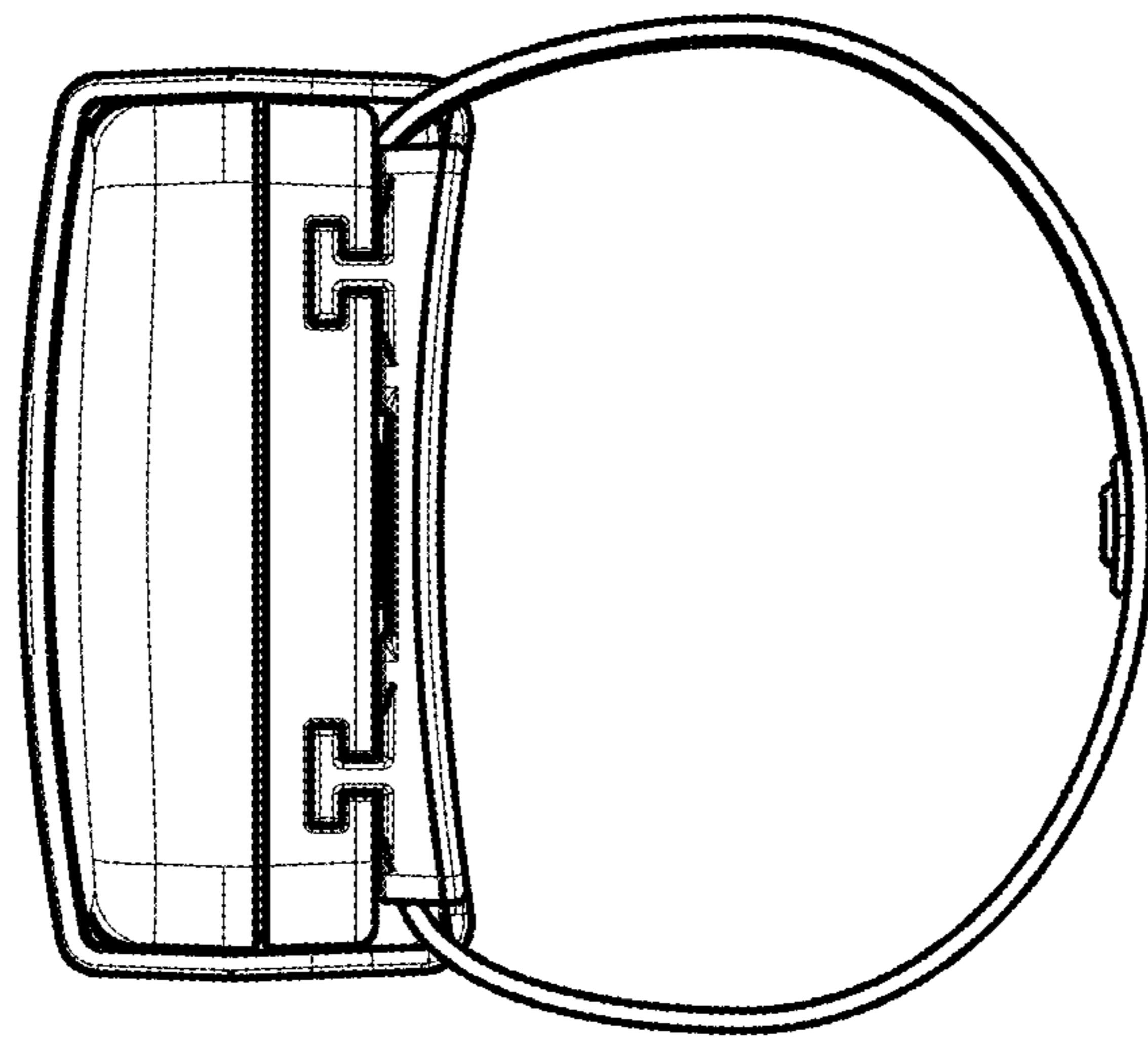


FIG. 12

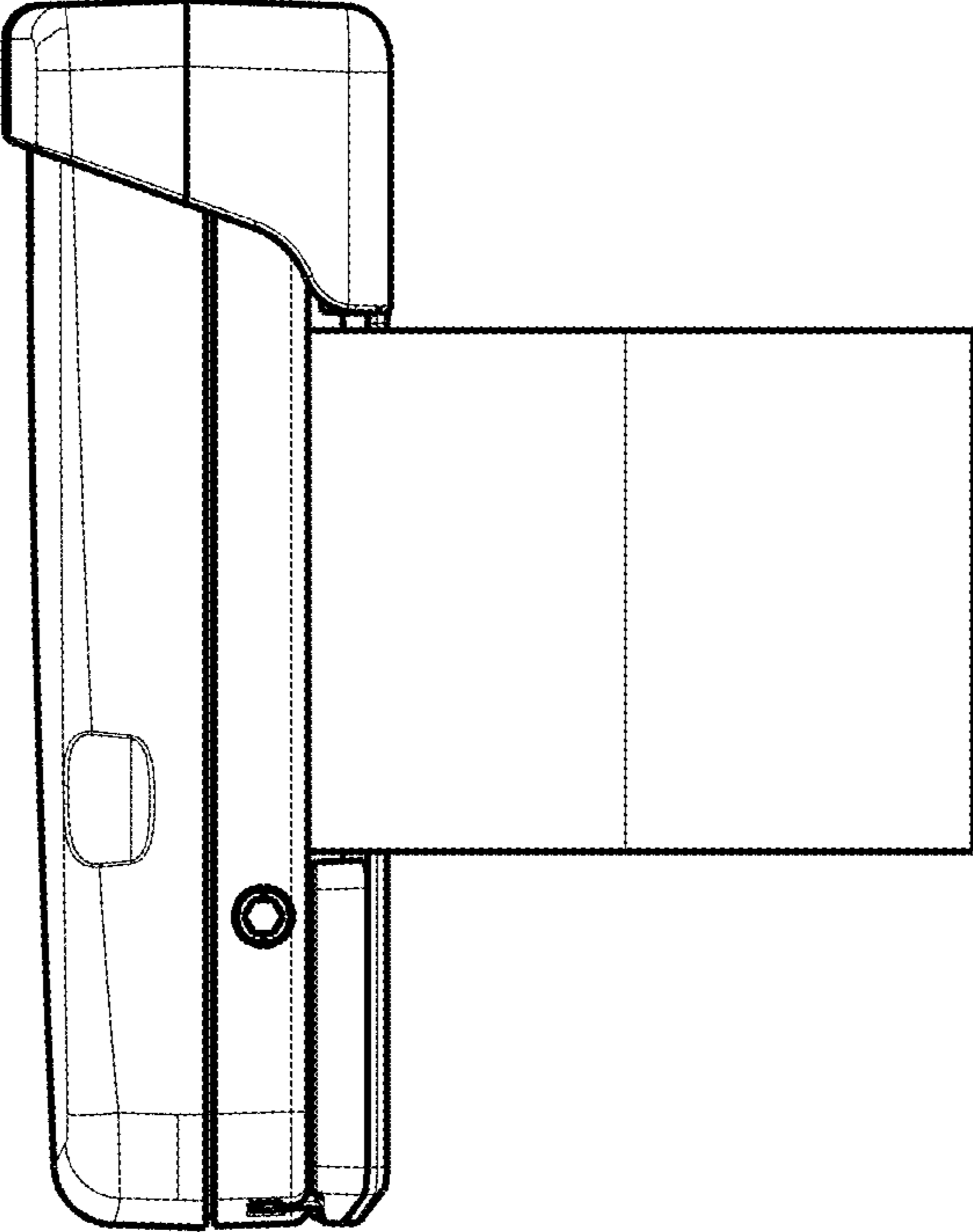


FIG. 13

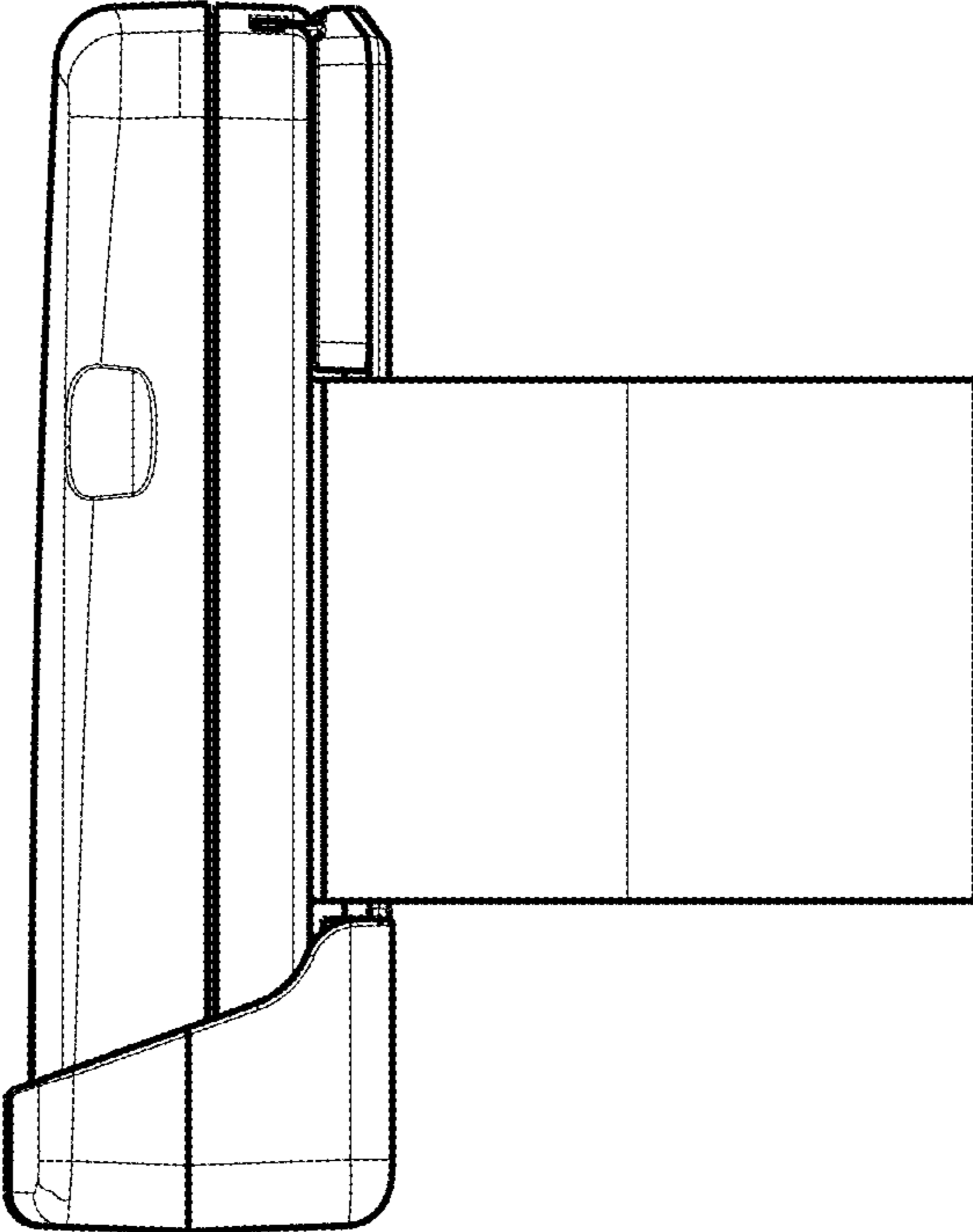


FIG. 14

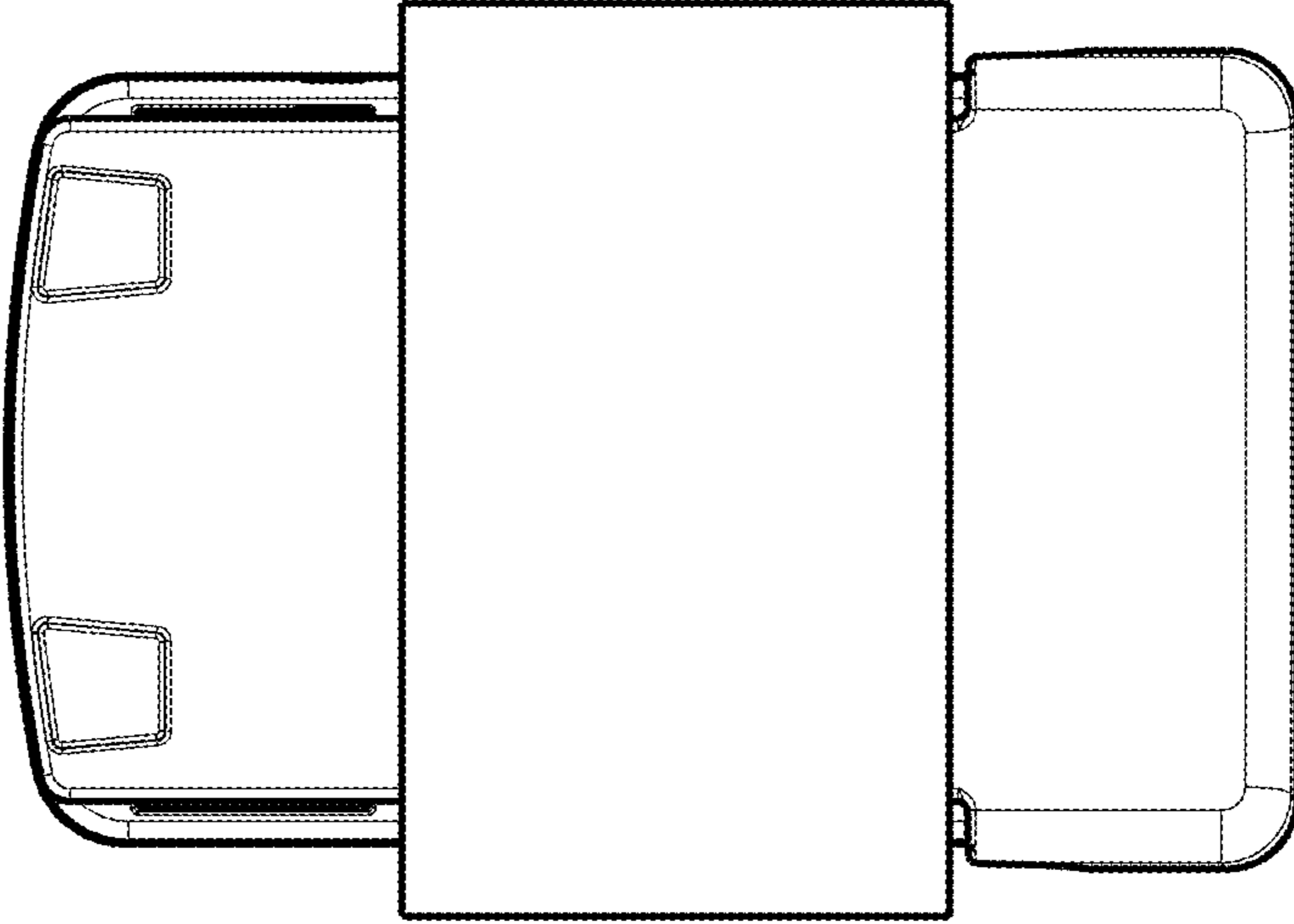


FIG. 15

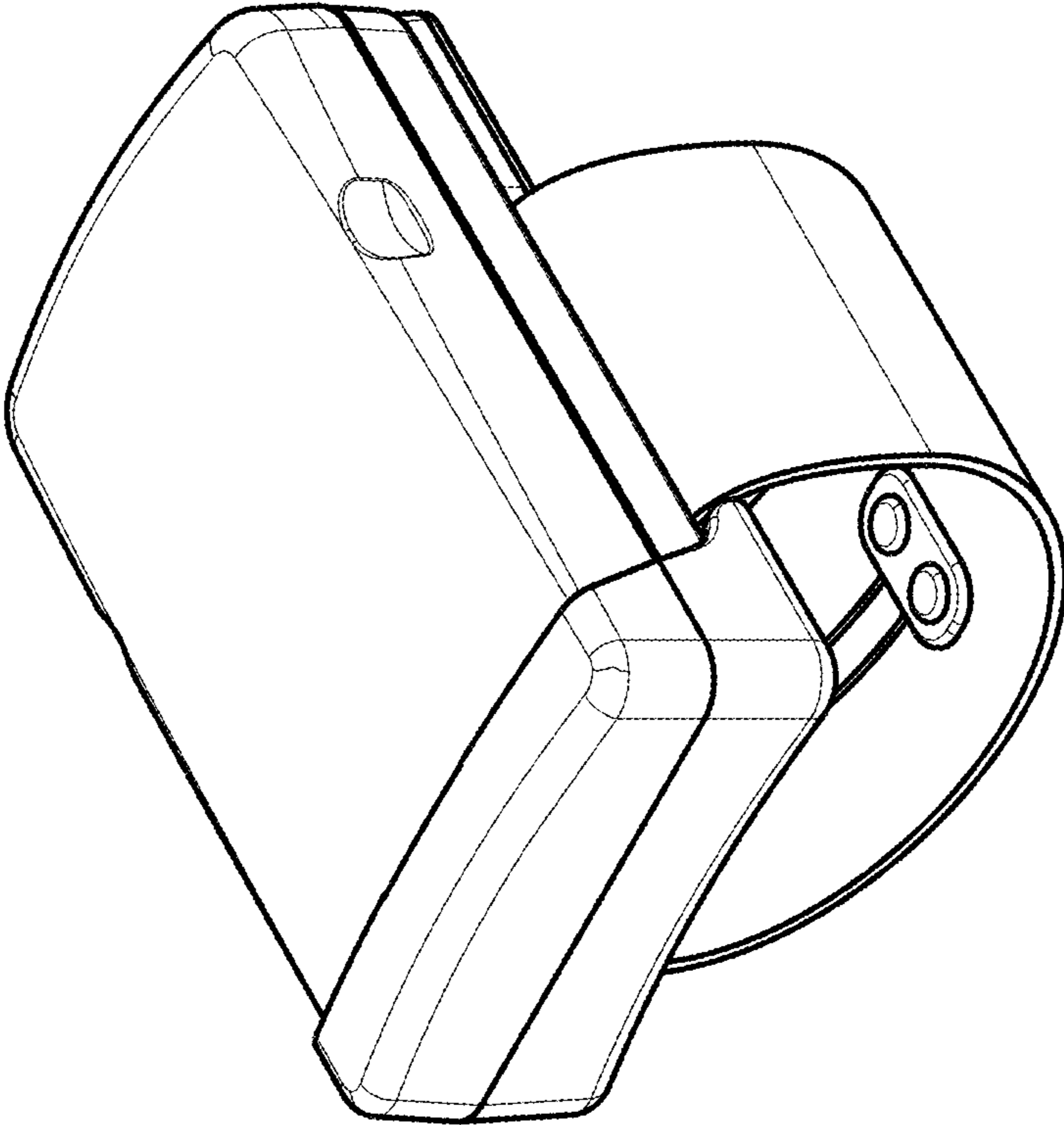


FIG. 16

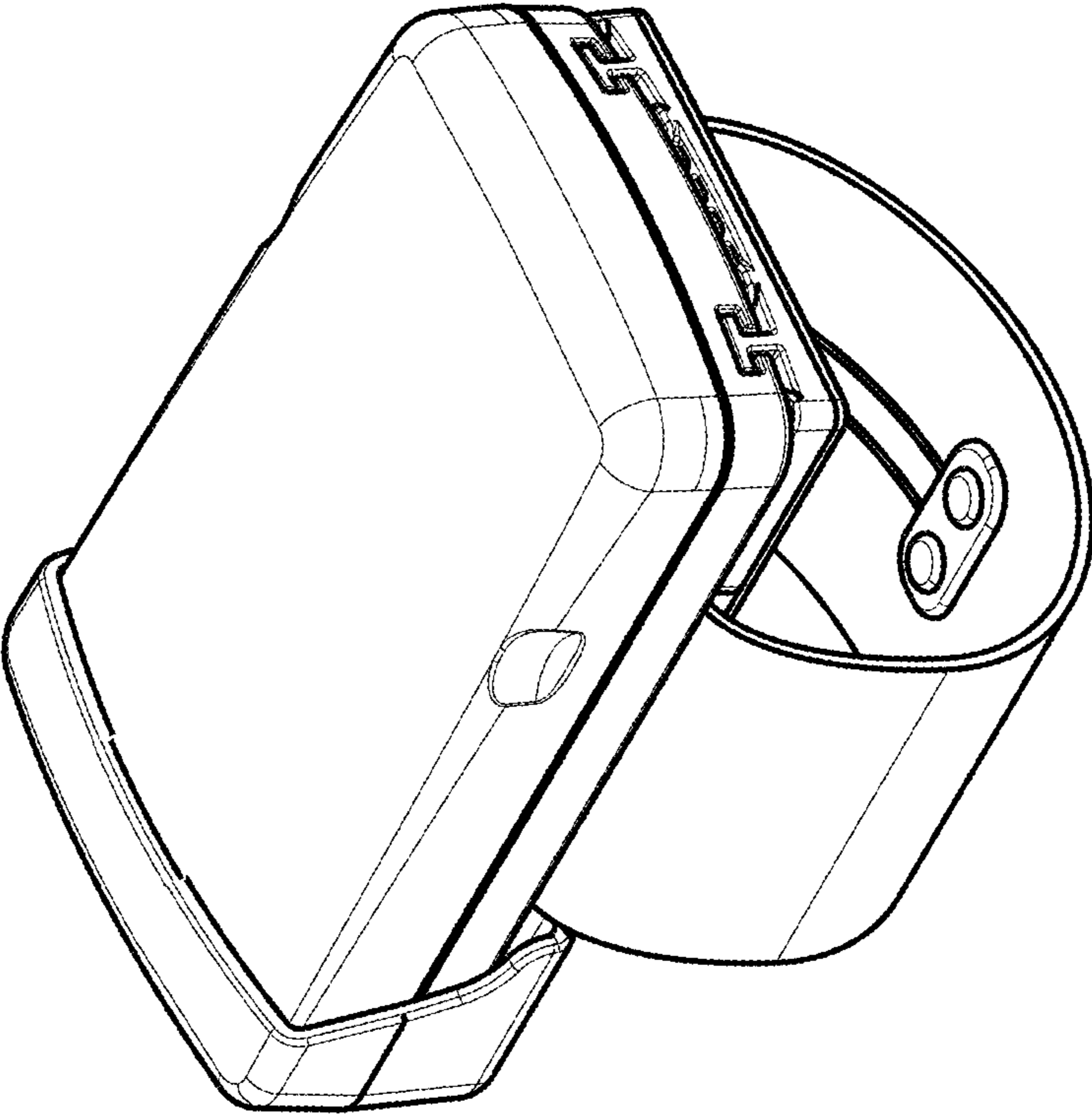


FIG. 17

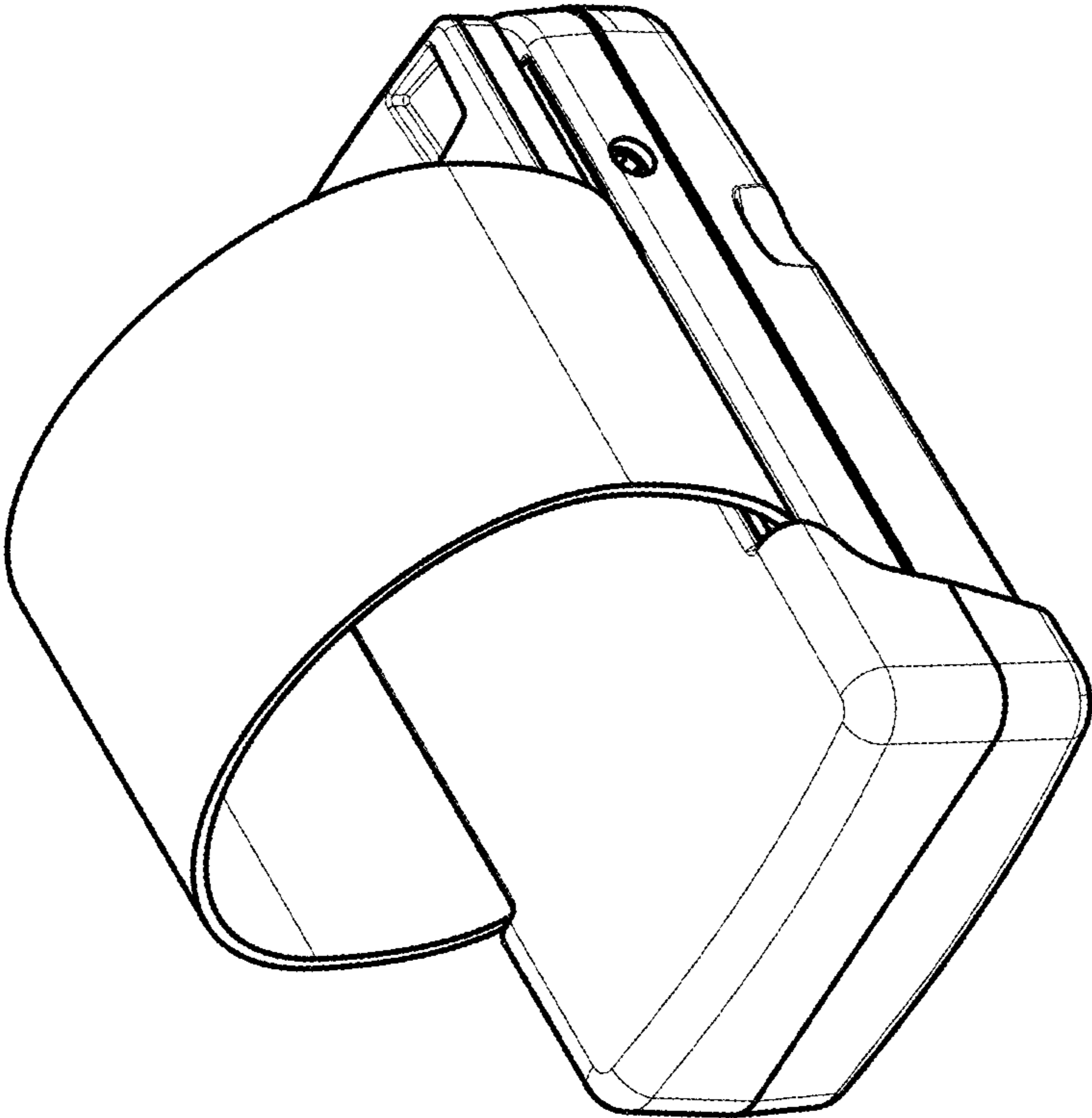


FIG. 18

