



US00D724967S

(12) **United States Design Patent**
Miller

(10) **Patent No.:** **US D724,967 S**
(45) **Date of Patent:** **** Mar. 24, 2015**

- (54) **GRADIENT MEASURING APPARATUS**
- (71) Applicant: **John C. Miller**, Allendale, MI (US)
- (72) Inventor: **John C. Miller**, Allendale, MI (US)
- (**) Term: **14 Years**
- (21) Appl. No.: **29/473,664**
- (22) Filed: **Nov. 25, 2013**

Related U.S. Application Data

- (63) Continuation of application No. 13/910,648, filed on Jun. 5, 2013.
- (51) **LOC (10) Cl.** **10-04**
- (52) **U.S. Cl.**
USPC **D10/65; D10/69**
- (58) **Field of Classification Search**
CPC G01C 9/00–9/36; G01C 2009/062–2009/168;
G01C 2009/102–2009/104; G01C 9/182–9/187
USPC D10/65, 69
See application file for complete search history.

References Cited

U.S. PATENT DOCUMENTS

1,206,593 A	11/1916	Reed	
1,625,683 A	4/1927	Rail	
1,984,236 A	12/1934	Smith	
2,216,086 A	9/1940	Meenan	
D133,097 S *	7/1942	Carr	D10/62
2,292,241 A	8/1942	Reeves	
2,357,817 A	9/1944	Foster	
2,486,697 A	11/1949	White	
2,565,615 A	8/1951	McCoy	

2,677,193 A	5/1954	Truppe	
2,782,525 A	2/1957	Eubank	
3,846,781 A	11/1974	Smith	
3,900,073 A	8/1975	Crum	
4,133,116 A	1/1979	Devine et al.	
4,916,827 A *	4/1990	Rayburn	33/563
5,450,909 A	9/1995	Stevenson	
D366,844 S *	2/1996	Schroeder et al.	D10/64
5,555,942 A	9/1996	Matsushita et al.	
5,984,018 A	11/1999	Yamamoto et al.	
6,276,070 B1 *	8/2001	Hawley	33/563
7,089,674 B1	8/2006	Hendon	
7,317,977 B2	1/2008	Matrosov	
7,460,941 B2	12/2008	Sychra et al.	
D640,942 S *	7/2011	Tucker	D10/64
D684,487 S *	6/2013	Tucker	D10/64
D688,574 S *	8/2013	Tucker	D10/64
2010/0299031 A1	11/2010	Zhdanov et al.	

* cited by examiner

Primary Examiner — Antoine D Davis

(74) *Attorney, Agent, or Firm* — Price Heneveld LLP

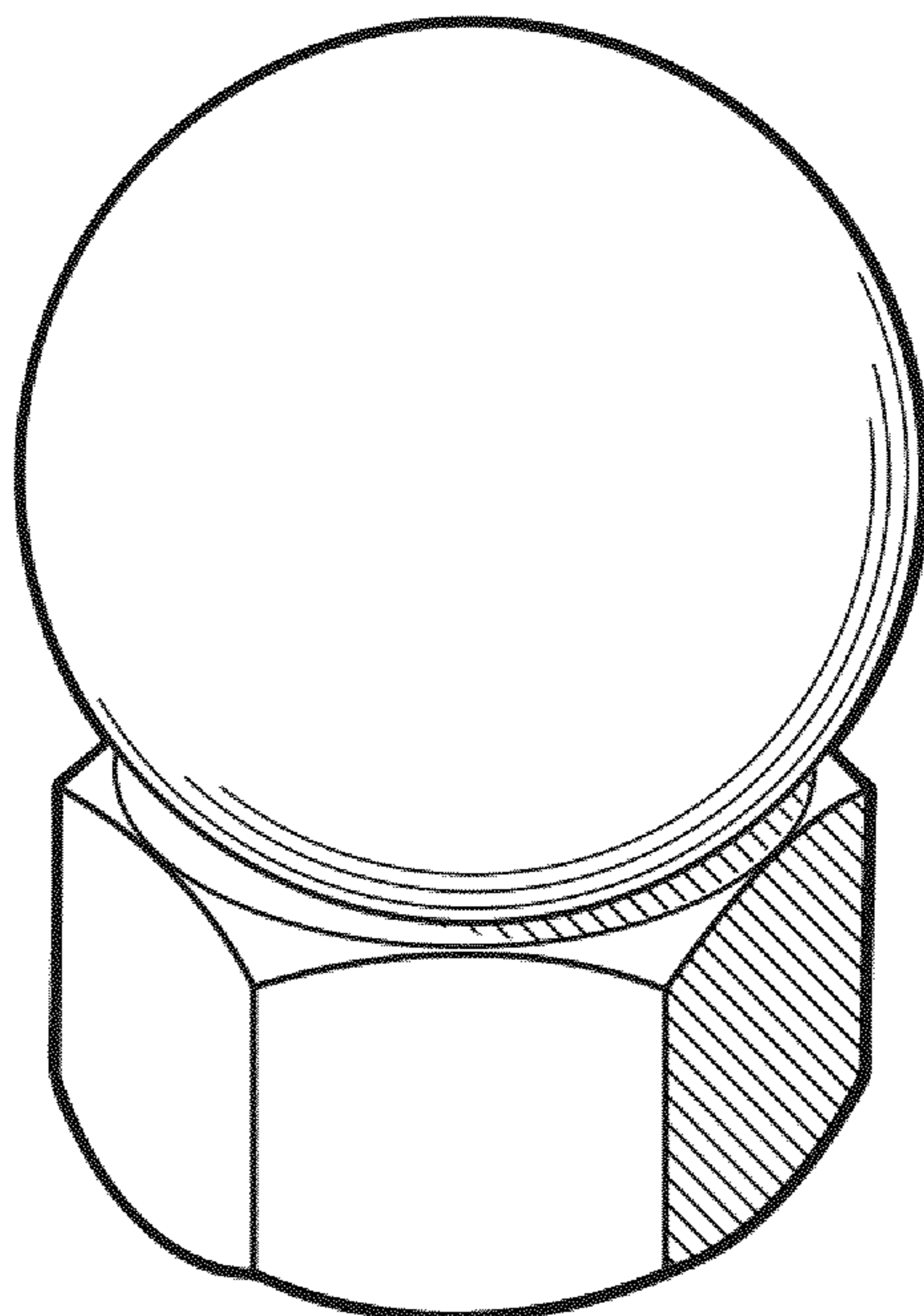
(57) **CLAIM**

I claim the ornamental design for gradient measuring apparatus, as shown and described.

DESCRIPTION

FIG. 1 is a perspective view of a ball leveler and registered bottom mount;
 FIG. 2 is a front view thereof;
 FIG. 3 is a side view thereof;
 FIG. 4 is a top view thereof; and,
 FIG. 5 is a bottom view thereof.
 Dashed lines are to show environment and do not form a part of the claimed invention.

1 Claim, 1 Drawing Sheet



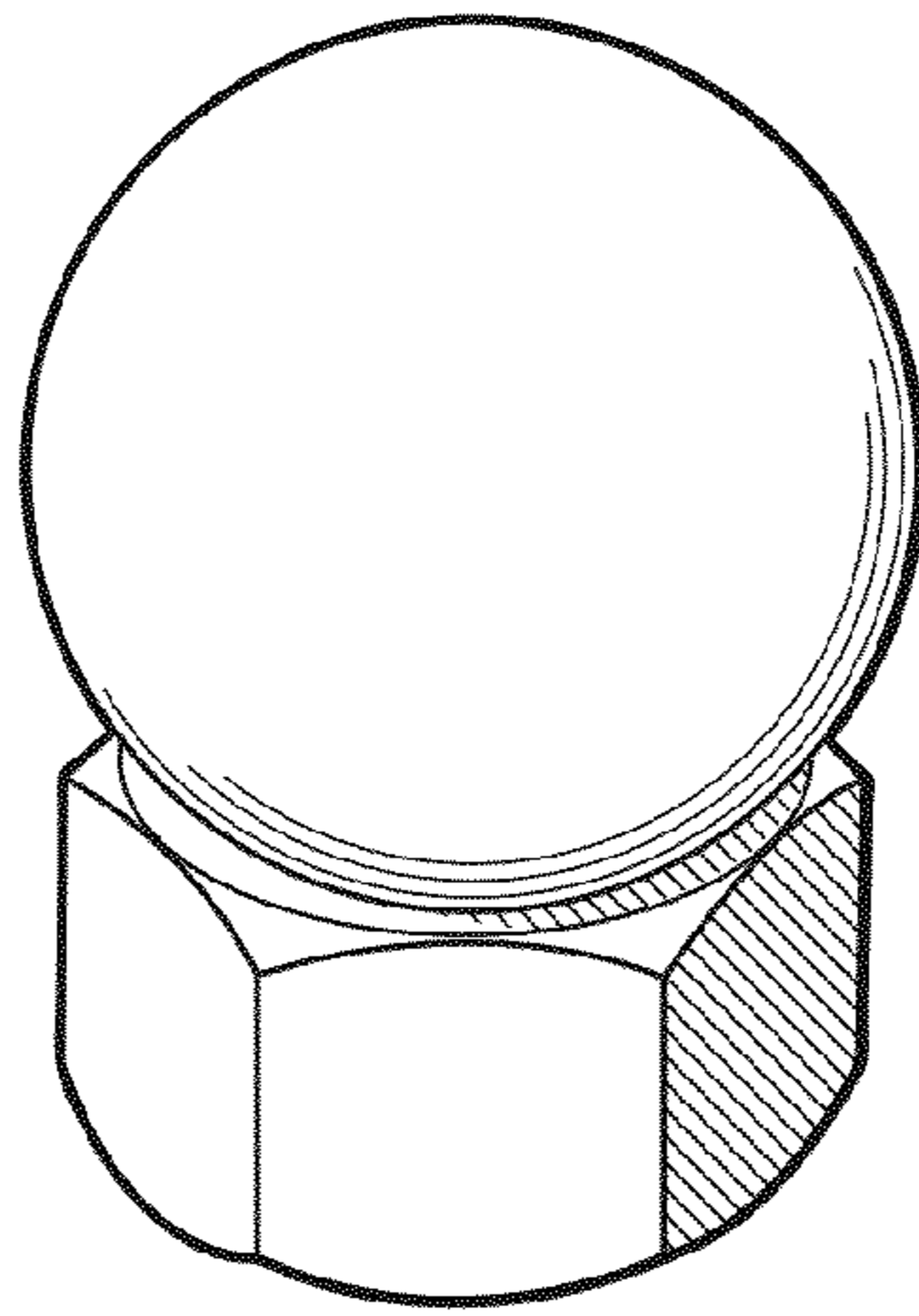


Fig. 1

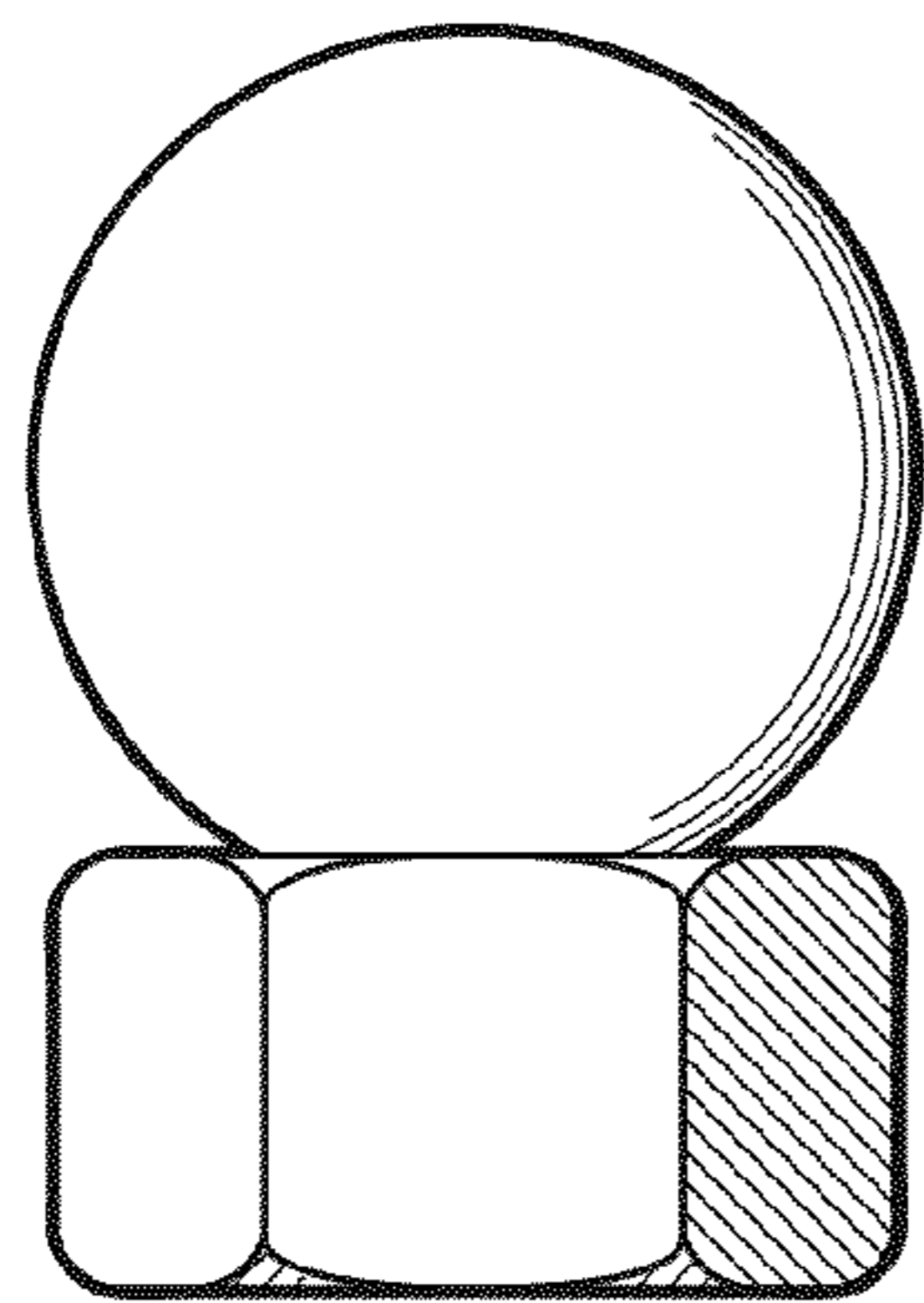


Fig. 2

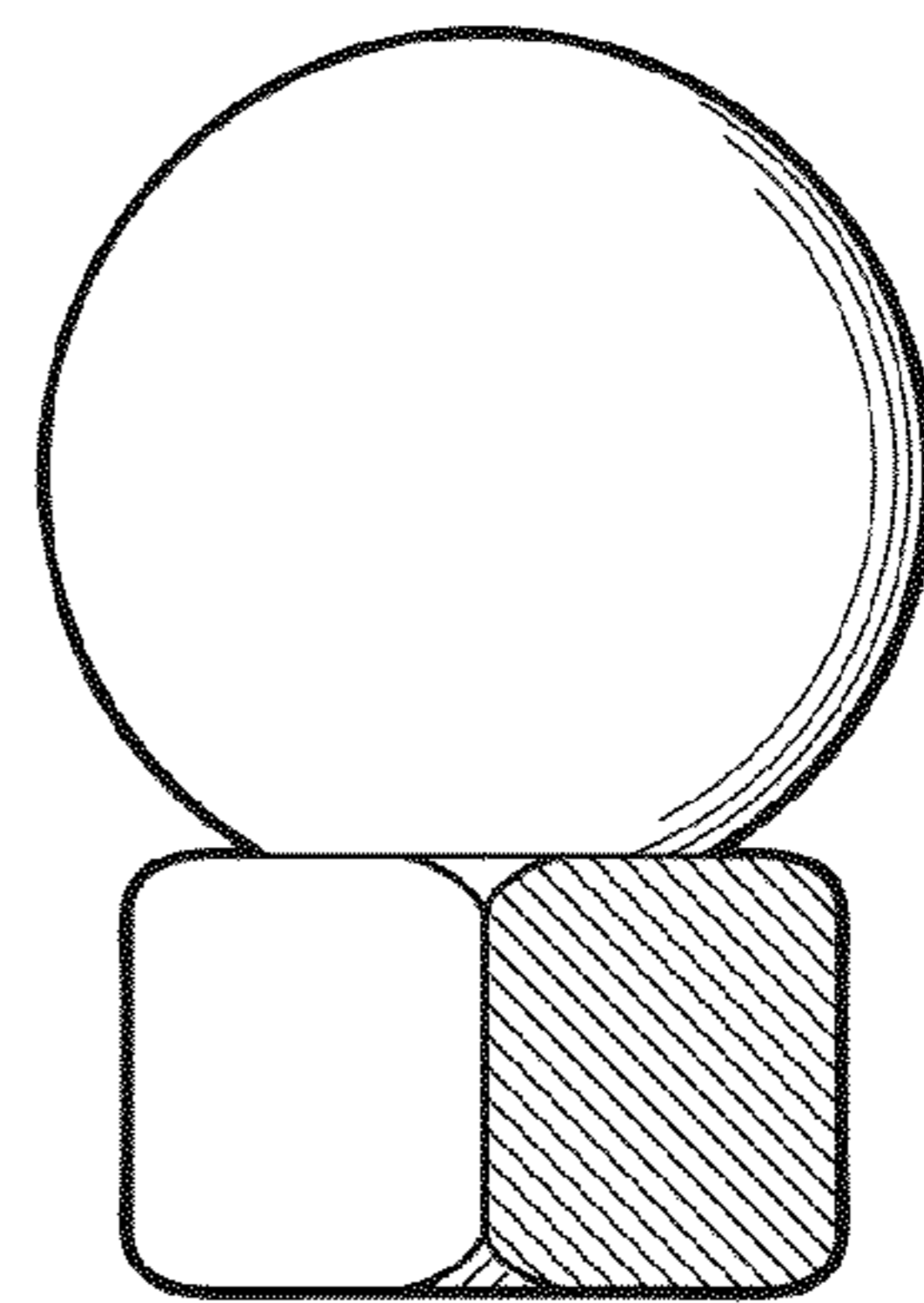


Fig. 3

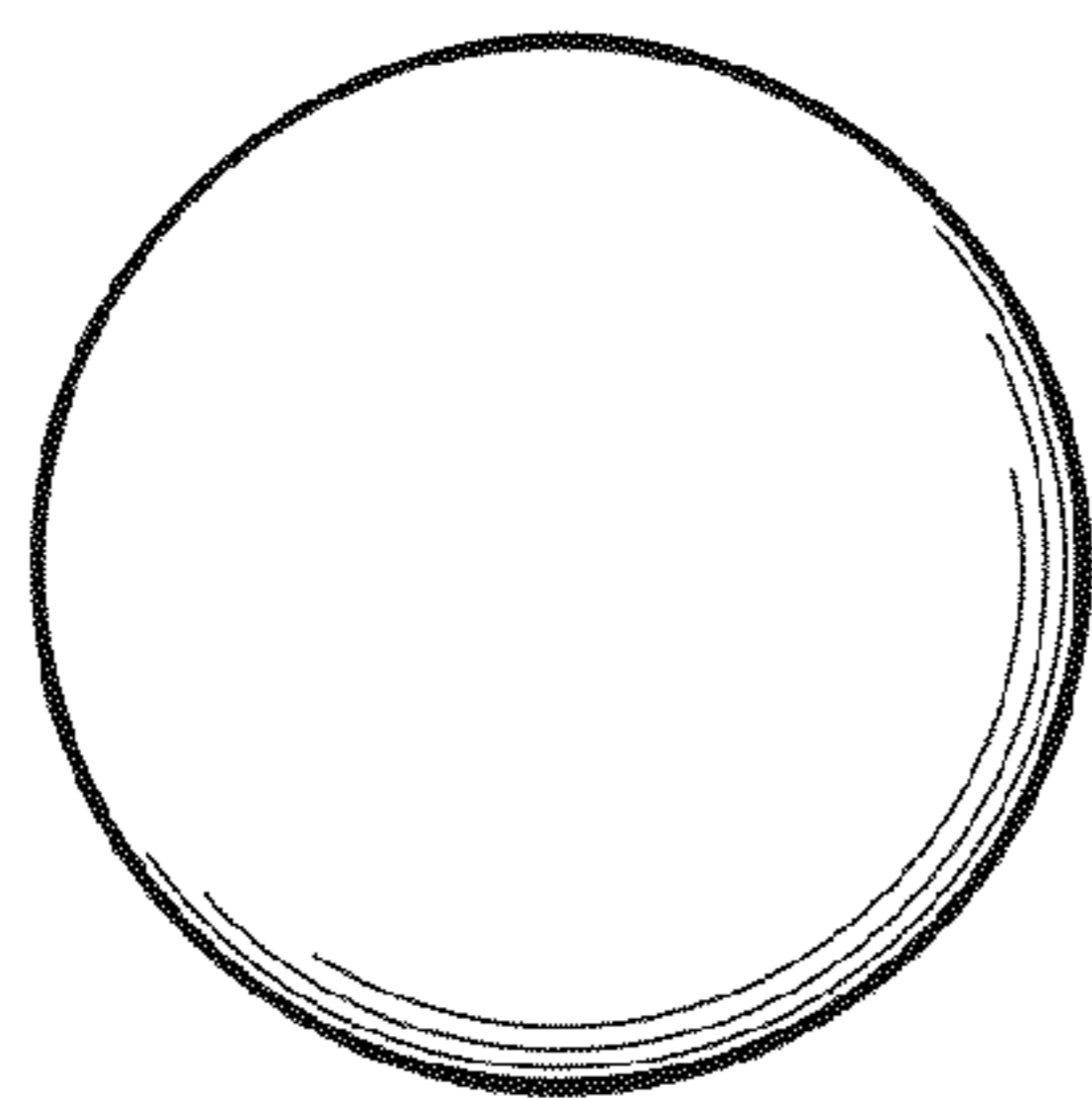


Fig. 4

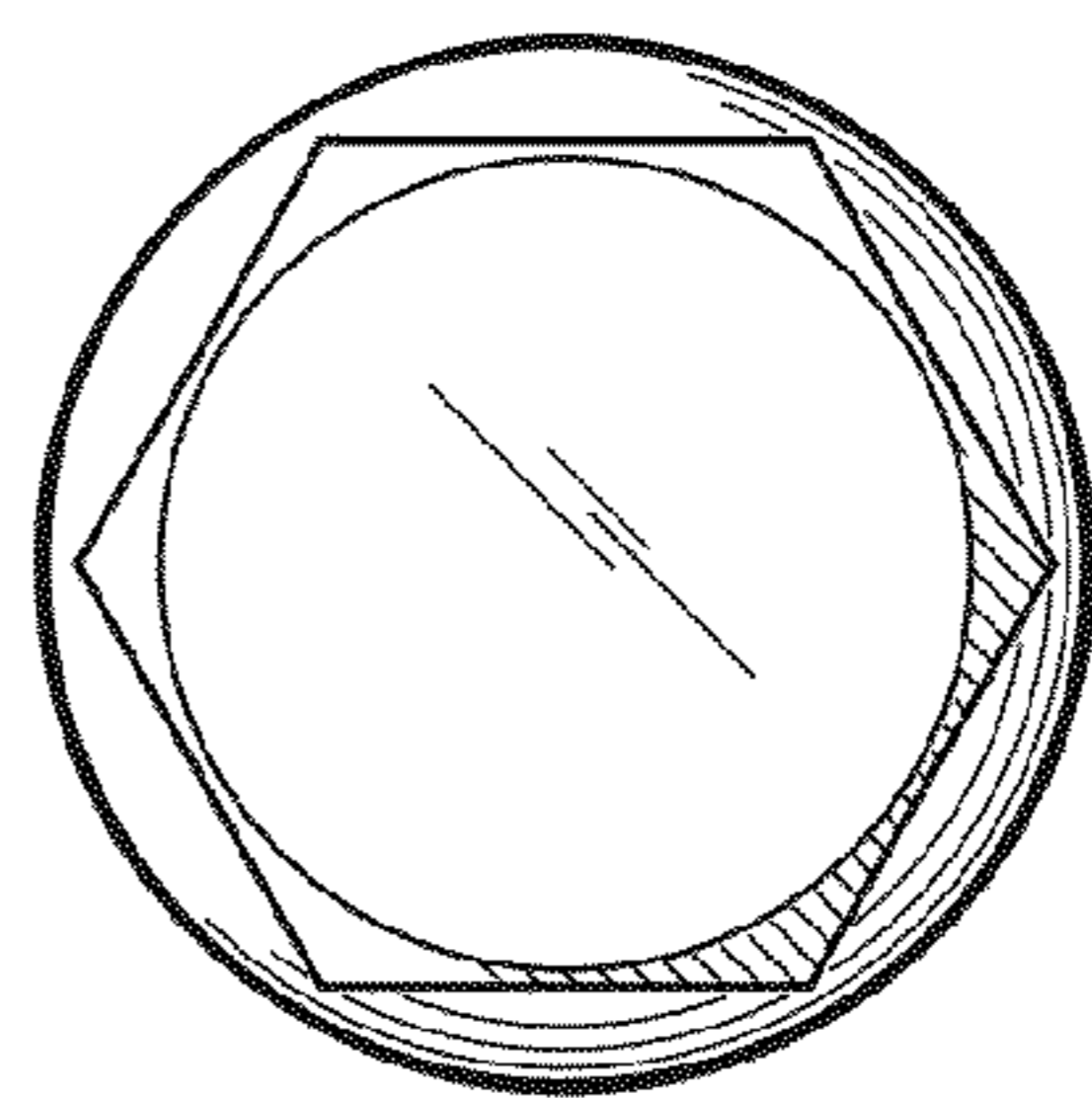


Fig. 5