

US00D724966S

(12) **United States Design Patent**
Tucker

(10) **Patent No.:** **US D724,966 S**
(45) **Date of Patent:** **** Mar. 24, 2015**

(54) **TEMPLATE FOR QUILTING**

(71) Applicant: **Deborah K. Tucker**, Cogan Station, PA
(US)

(72) Inventor: **Deborah K. Tucker**, Cogan Station, PA
(US)

(**) Term: **14 Years**

(21) Appl. No.: **29/463,446**

(22) Filed: **Nov. 26, 2013**

(51) **LOC (10) Cl.** **10-04**

(52) **U.S. Cl.**

USPC **D10/64**

(58) **Field of Classification Search**

CPC B43L 13/20; B43L 13/201; B43L 13/203;
B43L 13/205; B43L 13/206; B43L 13/208;
B43L 7/005; B43L 7/027; G01B 3/14; B25H
7/02; D05B 97/12

USPC D10/64

See application file for complete search history.

(56) **References Cited**

U.S. PATENT DOCUMENTS

2,229,757	A *	1/1941	McEniry	33/564
2,702,944	A *	3/1955	Lane et al.	33/1 B
5,027,068	A *	6/1991	Young et al.	324/229
D333,794	S *	3/1993	Emori	D10/70
6,276,070	B1 *	8/2001	Hawley	33/563
D624,445	S *	9/2010	Heckhausen	D10/70
D640,942	S *	7/2011	Tucker	D10/64

D684,487	S *	6/2013	Tucker	D10/64
D688,574	S *	8/2013	Tucker	D10/64
2009/0058409	A1 *	3/2009	Fujita	324/230

* cited by examiner

Primary Examiner — Antoine D Davis

(74) *Attorney, Agent, or Firm* — Stan Jones, Patents

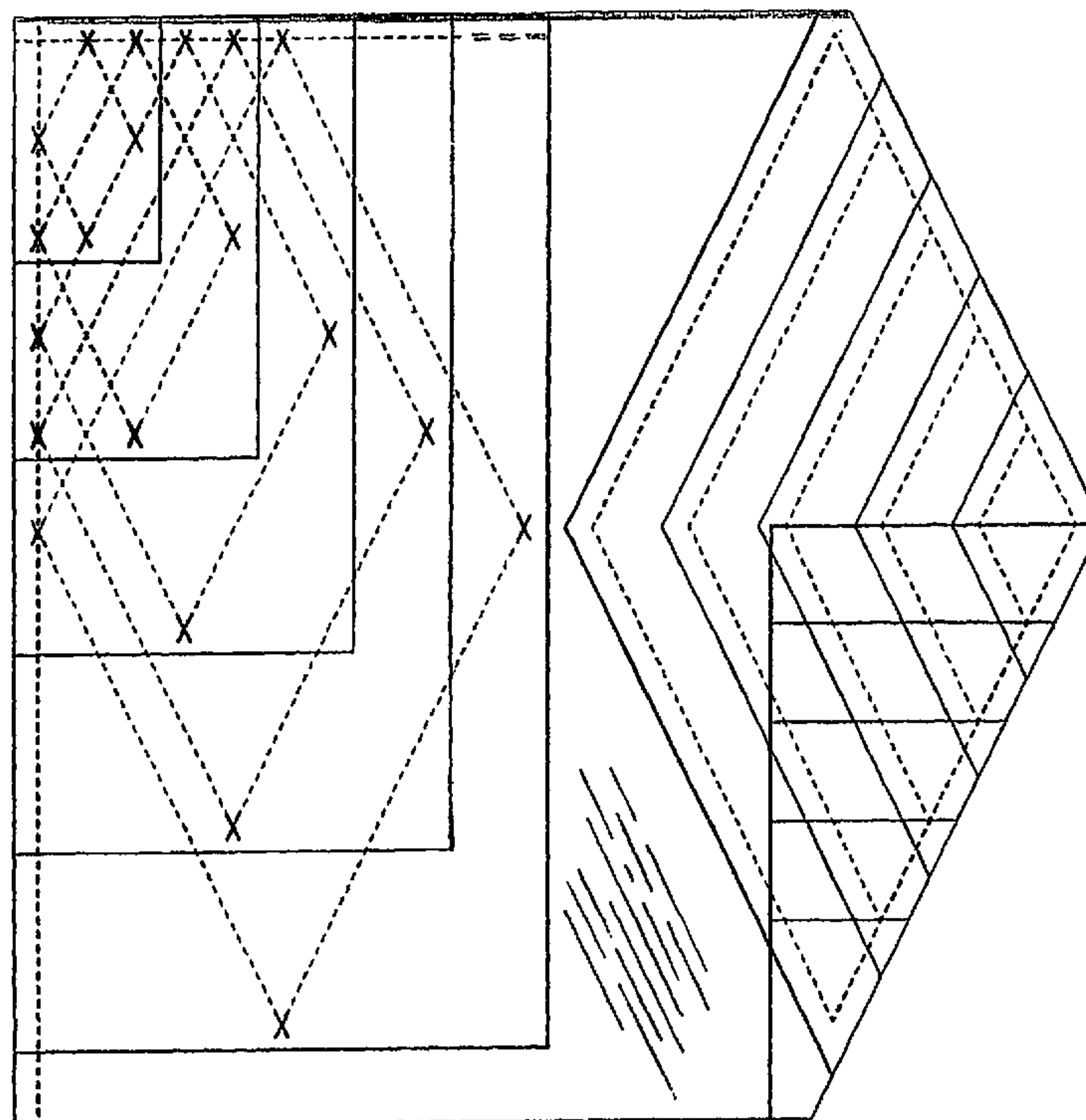
(57) **CLAIM**

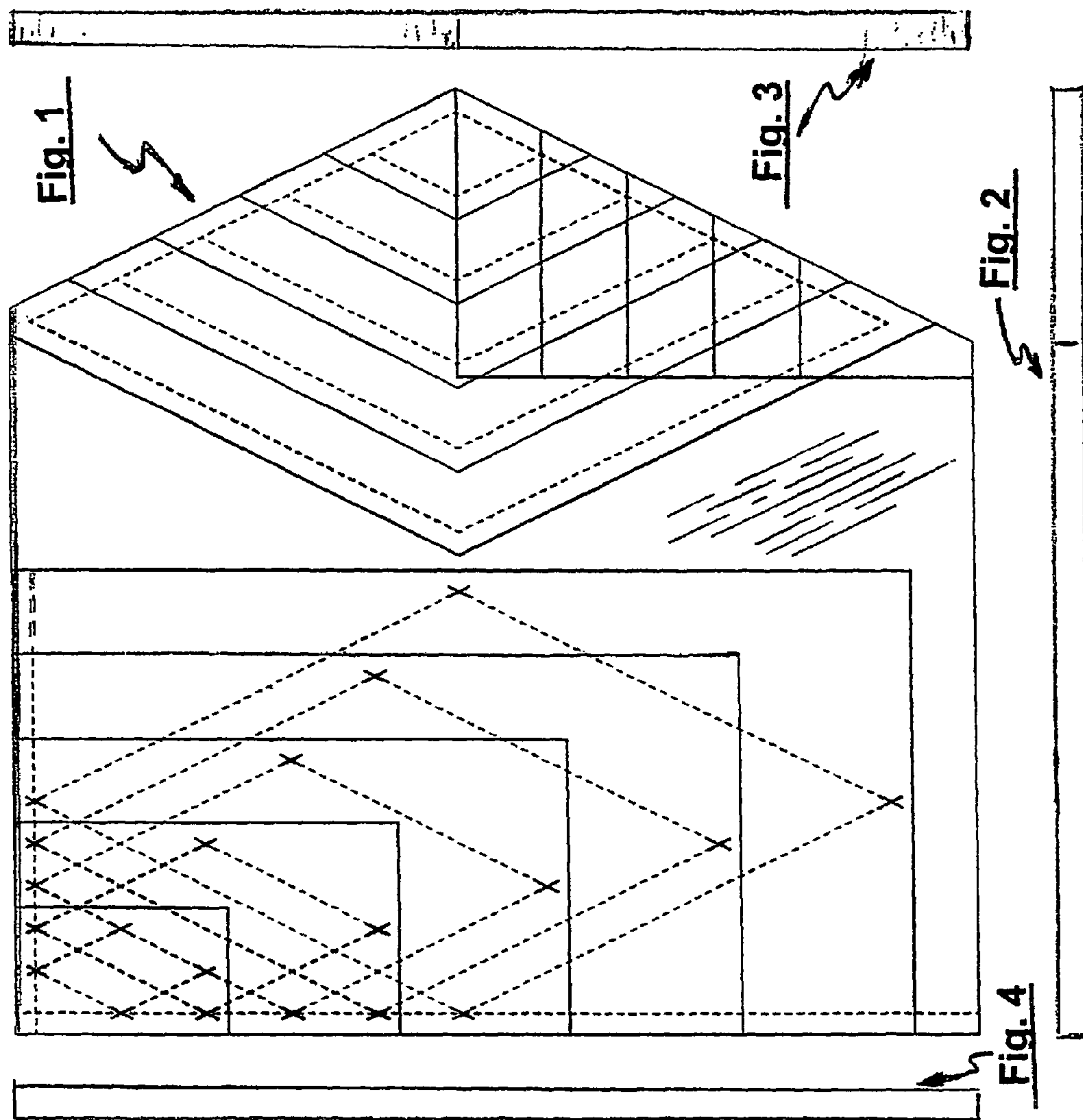
The ornamental design for a template for quilting, as shown and described.

DESCRIPTION

FIG. 1 is a top surface view of my template for quilting design showing both solid and dashed lines associated with placement marks and symbols for the process of precisely cutting pieces of fabric useful in quilting; and wherein the solid, dashed lines and symbols are measuring and visual guides. The dashed lines are not for illustrative purposes, but rather indicate stitching locations in different shapes as visual aids for a quilter using my template for quilting design invention; FIG. 2 is a bottom edge view of my template for quilting with the top edge view being the same; FIG. 3 is a right side edge view of my template for quilting; FIG. 4 is a left edge view of my template for quilting; and, FIG. 5 is a bottom surface view of my template for quilting design showing the top surface lines and guidance symbols in reverse position when viewed through the clear acrylic of the template for quilting design invention. Otherwise, the bottom view is flat and lacking in any ornamentation.

1 Claim, 2 Drawing Sheets





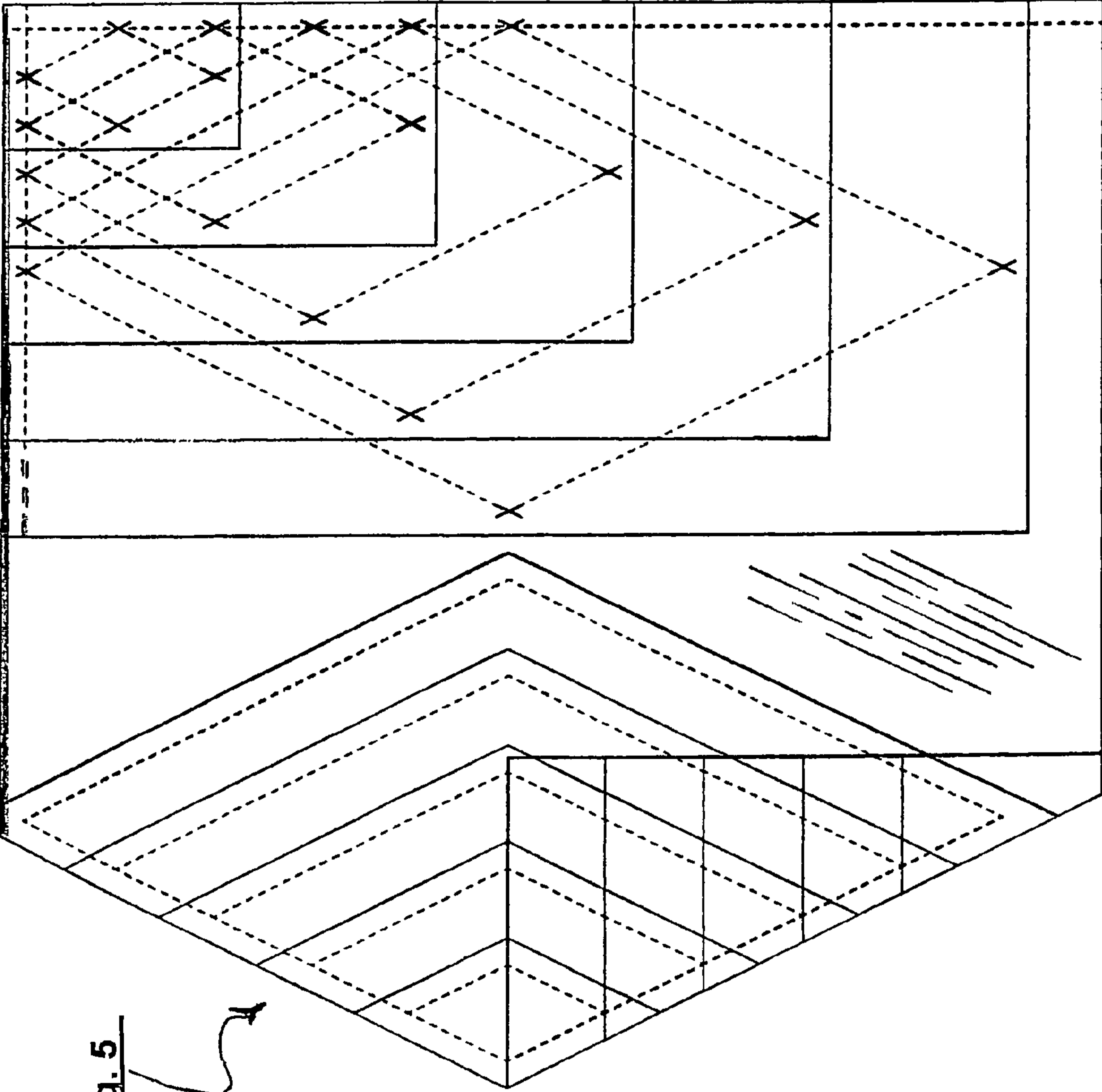


Fig. 5