



US00D724964S

(12) **United States Design Patent**
Liao et al.

(10) **Patent No.:** **US D724,964 S**
(45) **Date of Patent:** **** Mar. 24, 2015**

(54) **THERMOMETER**

USPC D10/57, 58; 374/1-209,
374/E1.011-E1.017; 600/474, 549
See application file for complete search history.

(71) Applicant: **AQUAWAYS Co., Ltd**, Taoyuan County
(TW)

(72) Inventors: **Shih-Wen Liao**, Taoyuan County (TW);
Ching-Cheng Wu, Taoyuan County
(TW); **Chih-Liang Fan**, Taoyuan
County (TW); **Min-Nan Li**, Taoyuan
County (TW)

(56) **References Cited**

U.S. PATENT DOCUMENTS

D254,779 S * 4/1980 Sulek et al. D10/57

* cited by examiner

(73) Assignee: **AQUAWAYS Co., Ltd**, Taoyuan County
(TW)

Primary Examiner — Antoine D Davis

(74) *Attorney, Agent, or Firm* — Jackson IPG PLLC

(**) Term: **14 Years**

(57) **CLAIM**

The ornamental design for a thermometer, as shown and
described.

(21) Appl. No.: **29/500,232**

DESCRIPTION

(22) Filed: **Aug. 22, 2014**

(51) **LOC (10) Cl.** **10-04**

(52) **U.S. Cl.**

USPC **D10/57**

(58) **Field of Classification Search**

CPC G01J 5/061; G01J 5/0843; G01J 5/0846;
G01J 5/0859; G01J 5/089; G01J 5/0896;
G01J 5/048; G01J 5/16; G01J 5/522; G01J
5/0205; G01J 5/0887; G01J 5/0003; G01J
5/0275; G01J 5/084; G01J 5/0834; G01J 5/12;
G01J 5/14

FIG. 1 is a front view of a thermometer showing the new
design;

FIG. 2 is a rear view thereof;

FIG. 3 is a right side view thereof;

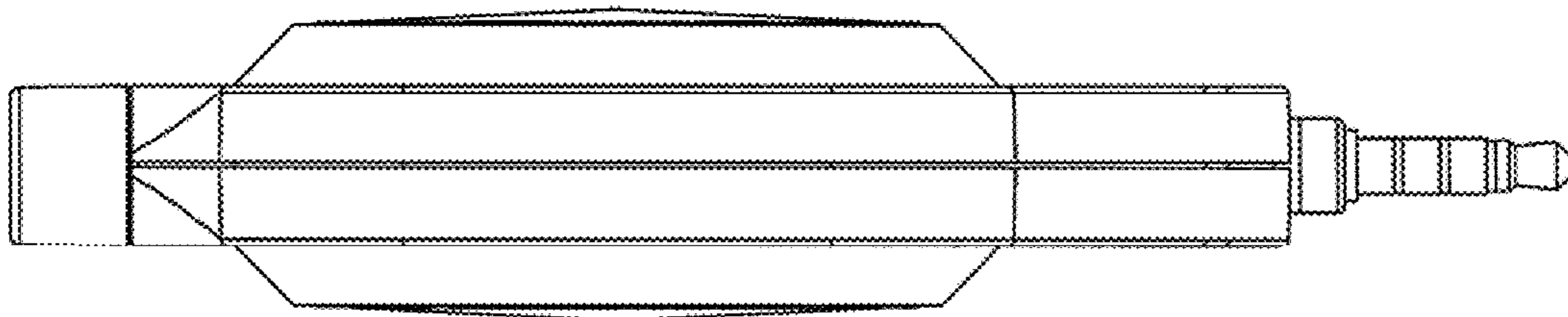
FIG. 4 is a left side view thereof;

FIG. 5 is a top view thereof;

FIG. 6 is a bottom view thereof; and,

FIG. 7 is a perspective view thereof.

1 Claim, 7 Drawing Sheets



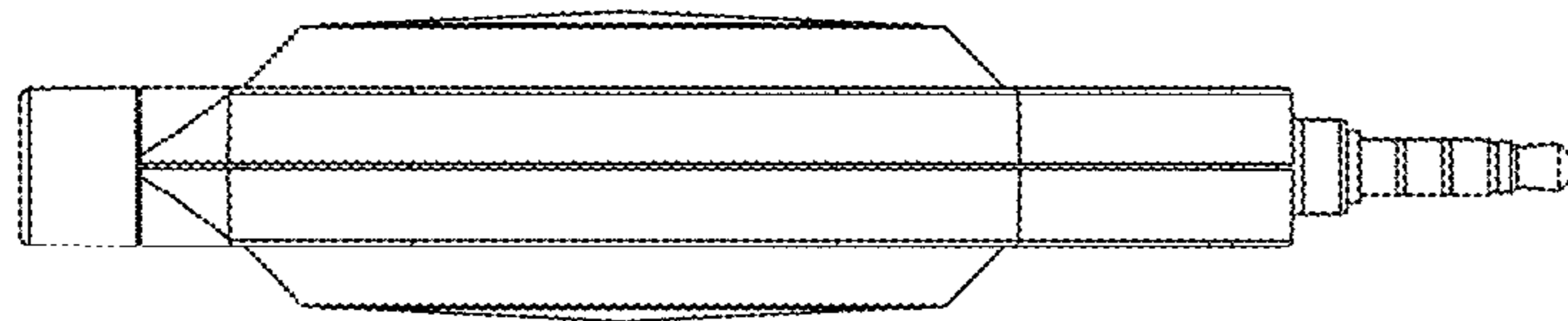


FIG.1

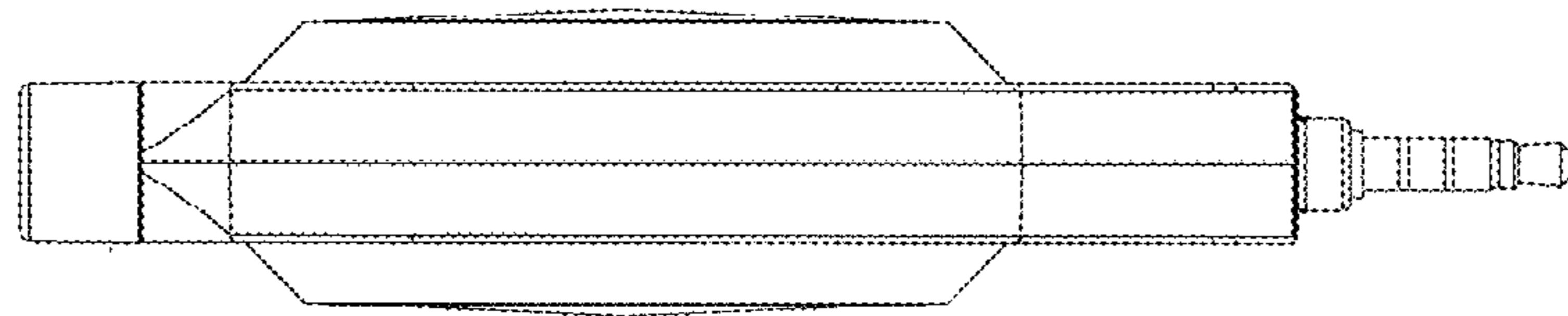


FIG.2

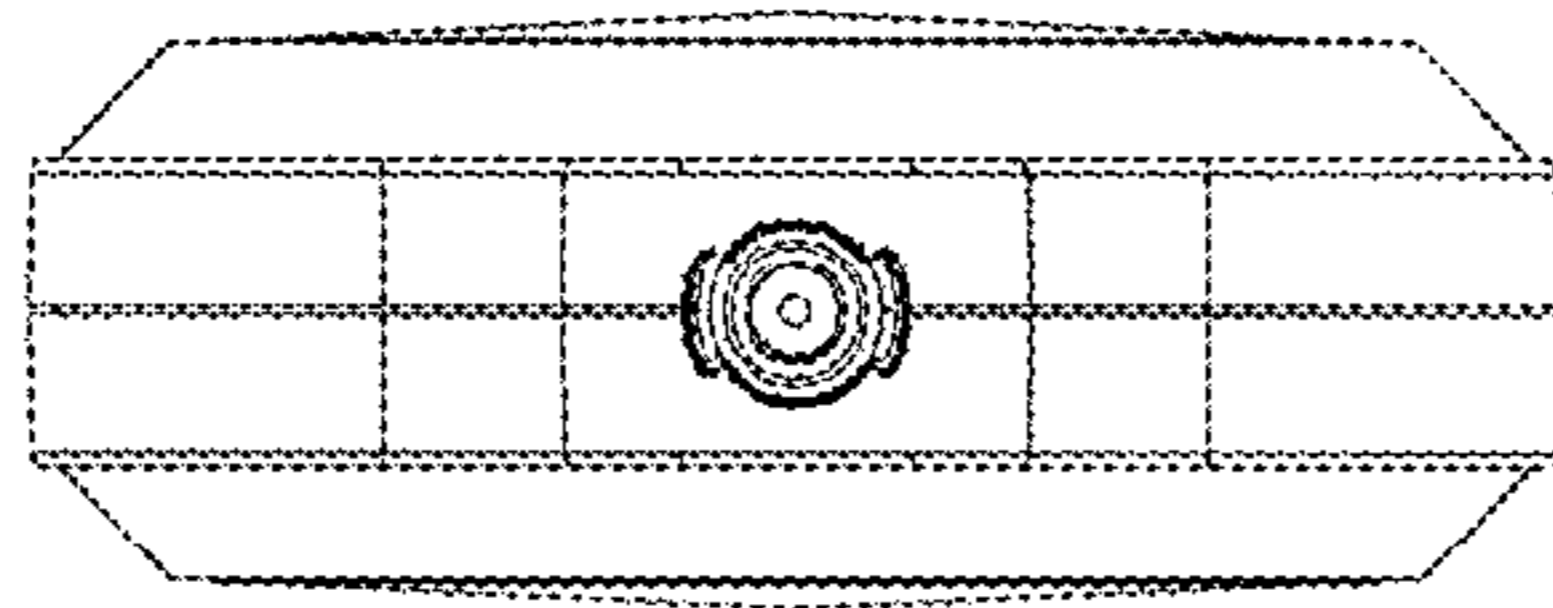


FIG. 3

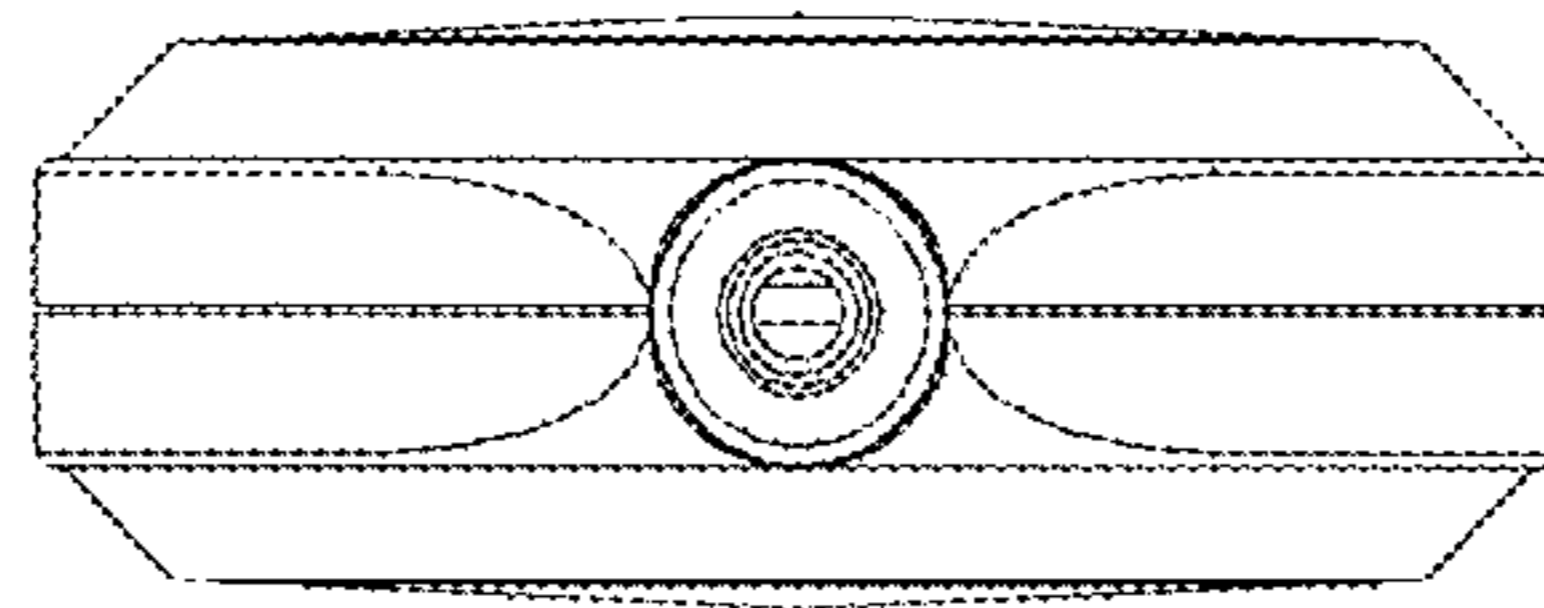


FIG.4

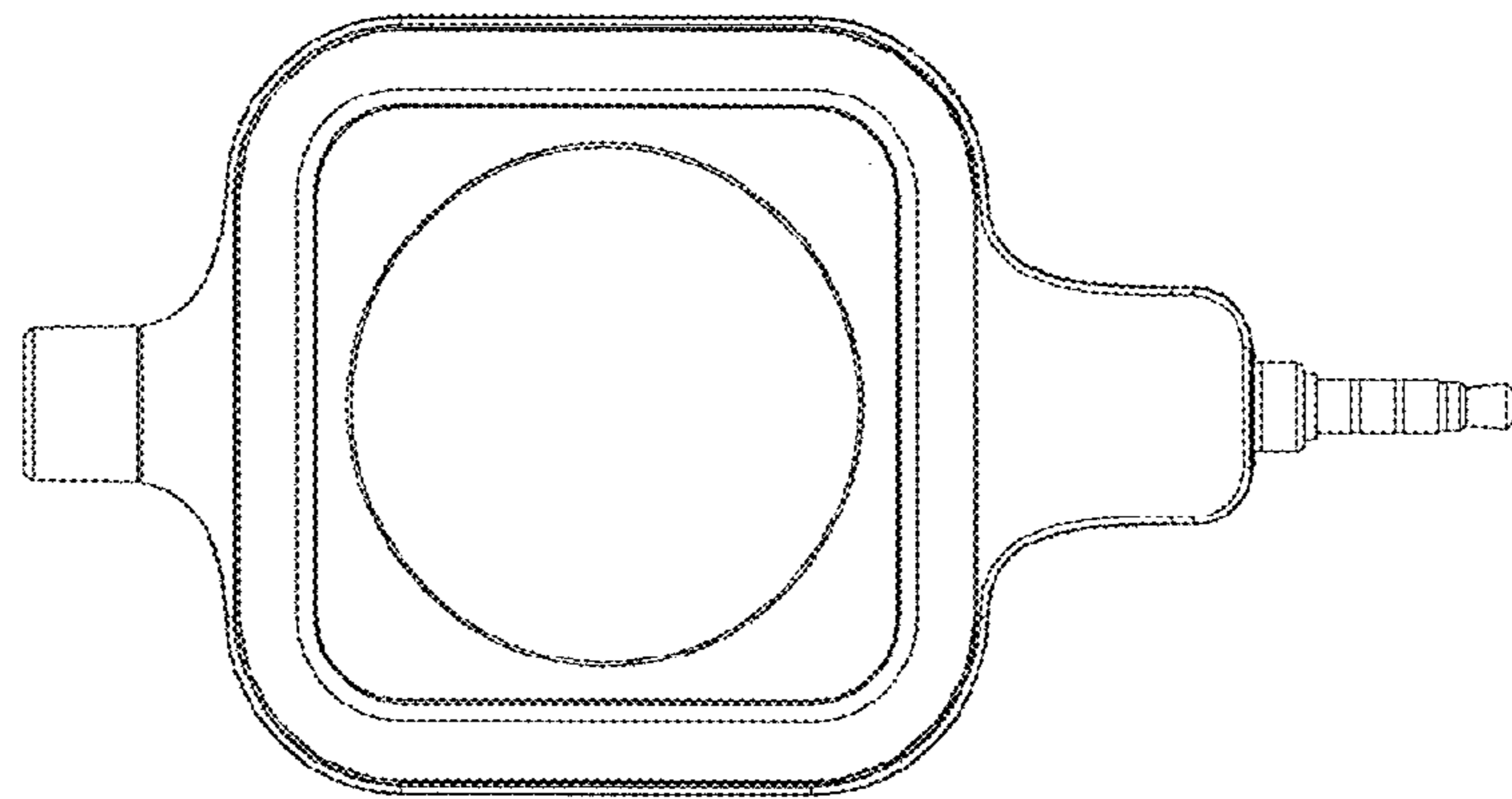


FIG. 5

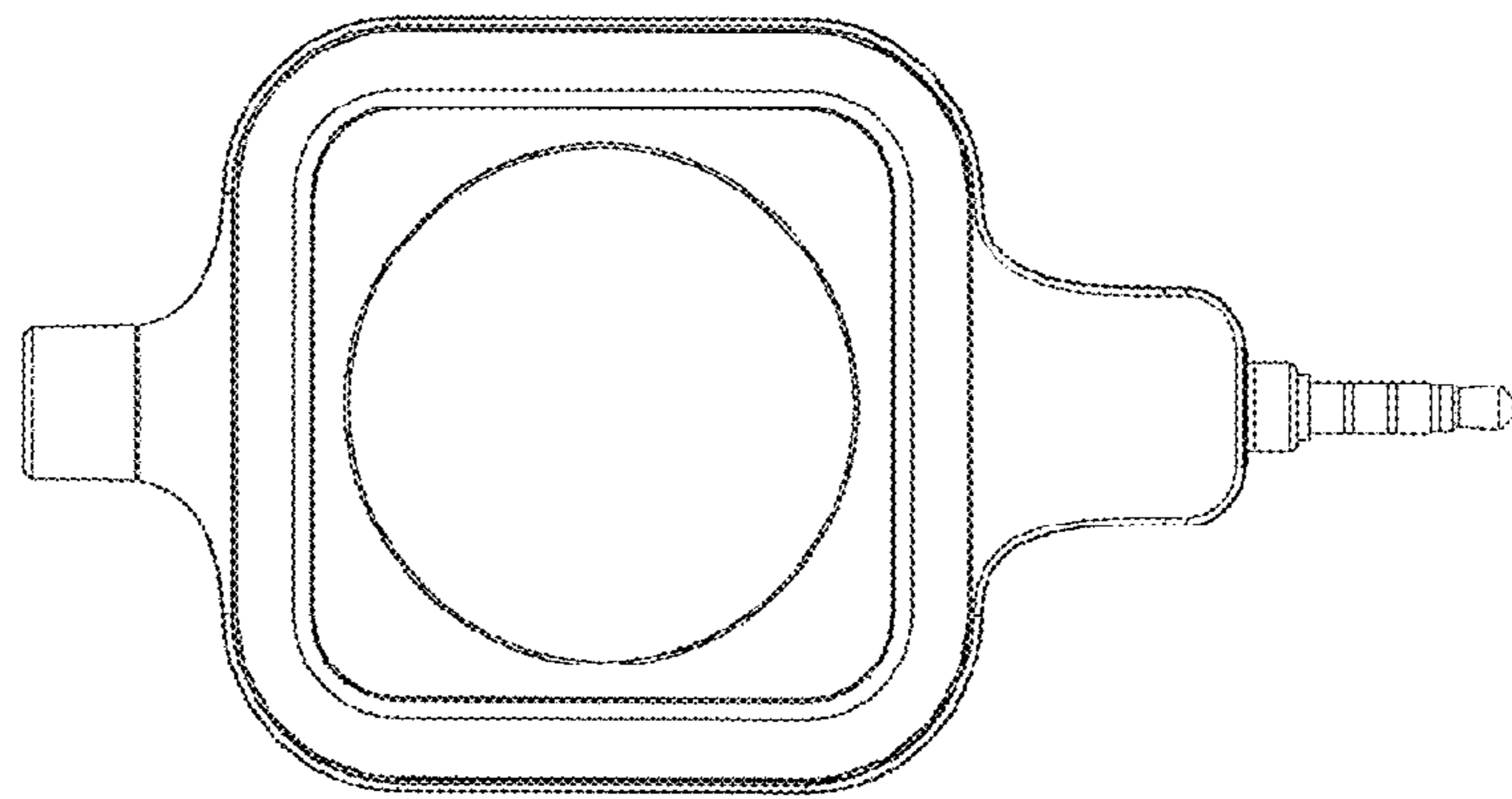


FIG.6

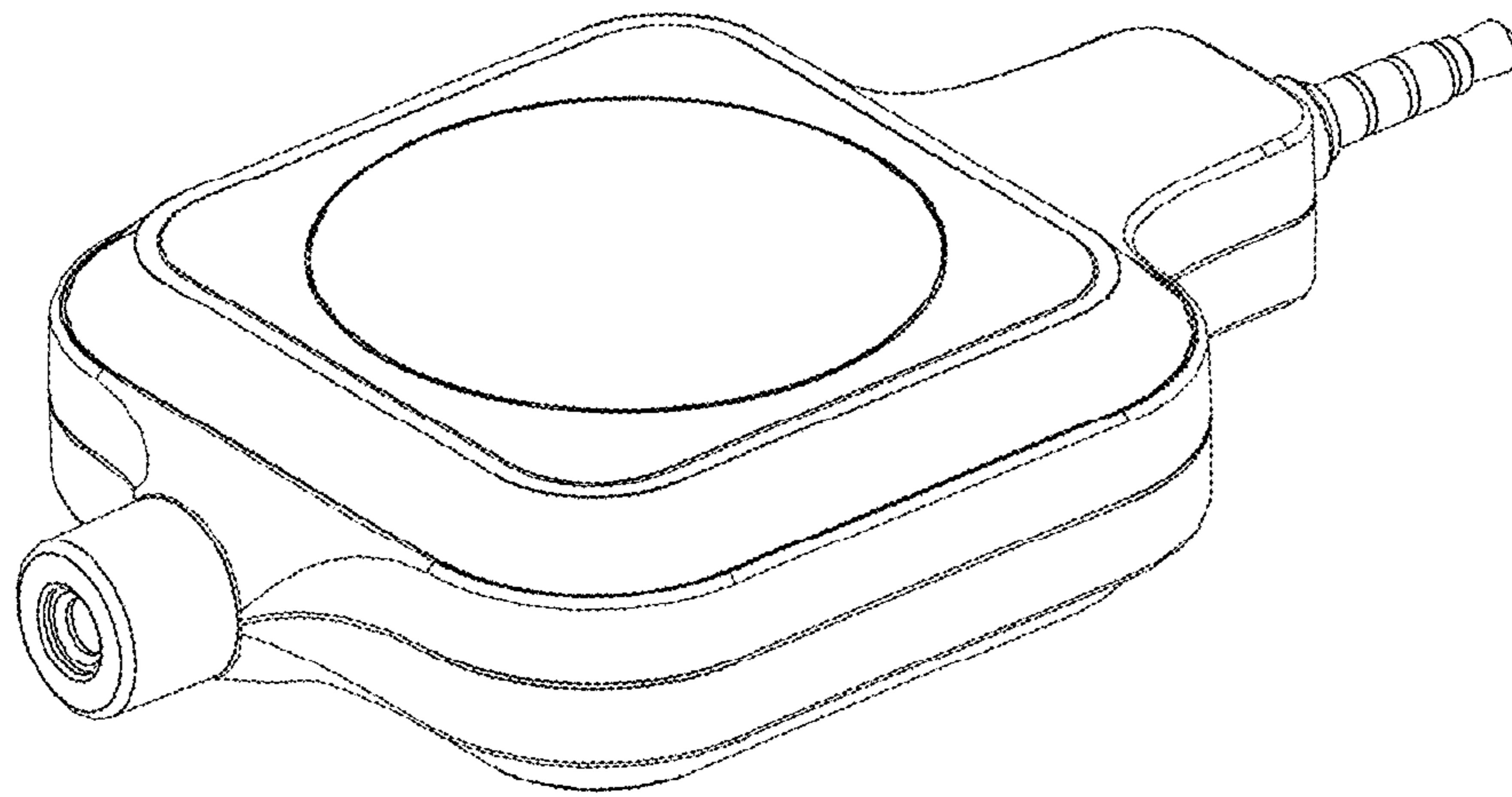


FIG.7