



US00D724963S

(12) **United States Design Patent**
Ambrose

(10) **Patent No.:** **US D724,963 S**
(45) **Date of Patent:** **** Mar. 24, 2015**

(54) **HAZARDOUS MATERIAL DETECTOR
SIMULATOR DEVICE**

(56) **References Cited**

U.S. PATENT DOCUMENTS

(71) Applicant: **Hazsim, LLC**, Rolling Hills Estates, CA
(US)

D412,450 S *	8/1999	McCain	D10/78
D430,048 S *	8/2000	Hoofnagle et al.	D10/78
D497,817 S *	11/2004	Lord	D10/78
D499,805 S *	12/2004	D'Agostino	D24/169
D519,047 S *	4/2006	Sydrowski et al.	D10/81
D543,475 S *	5/2007	Janky	D10/78
D545,705 S *	7/2007	Voege	D10/81
D546,218 S *	7/2007	Grasso et al.	D10/81
D555,021 S *	11/2007	Rounds et al.	D10/81
D558,621 S *	1/2008	Rich et al.	D10/78
D570,717 S *	6/2008	Elrod	D10/78
D669,799 S *	10/2012	Okudaira et al.	D10/47
D679,615 S *	4/2013	Marzynski et al.	D10/78
D698,673 S *	2/2014	Igelmund	D10/78

(72) Inventor: **Philip Ambrose**, Rolling Hills Estates,
CA (US)

(73) Assignee: **Hazsim, LLC**, Los Angeles, CA (US)

(**) Term: **14 Years**

(21) Appl. No.: **29/454,548**

(22) Filed: **May 10, 2013**

Related U.S. Application Data

(63) Continuation-in-part of application No. 13/774,976,
filed on Feb. 22, 2013, which is a continuation-in-part
of application No. 12/389,284, filed on Feb. 19, 2009,
now abandoned.

(51) **LOC (10) Cl.** **10-04**

(52) **U.S. Cl.**

USPC **D10/47; D10/78; D10/81**

(58) **Field of Classification Search**

CPC G09B 9/00; G09B 29/00; G09B 19/00;

G07B 17/00661; G01N 29/36; G06G 7/54

USPC D10/47, 78, 81; 73/31.01, 31.02, 865.8;

422/83, 903; 434/218, 219, 430;

250/269.1-269.8, 365, 363.1, 363.05,

250/363.02, 431, 504 H, 504 R, 362, 361 R,

250/368, 483.1; 257/429, E31.086; 438/56

See application file for complete search history.

* cited by examiner

Primary Examiner — Antoine D Davis

(74) *Attorney, Agent, or Firm* — Snell & Wilmer L.L.P.;
Jonathan A. Jaech

(57) **CLAIM**

The ornamental design for a hazardous material detector
simulator device, as shown and described.

DESCRIPTION

FIG. 1 is a perspective view of a second embodiment of the
ornamental design of the hazardous material detector simu-
lator device. In FIG. 1 and the following FIGS. 1-6, elements
that are not part of the ornamental design are shown in dashed
line.

FIG. 2 is a front elevation view of the design of FIG. 1.

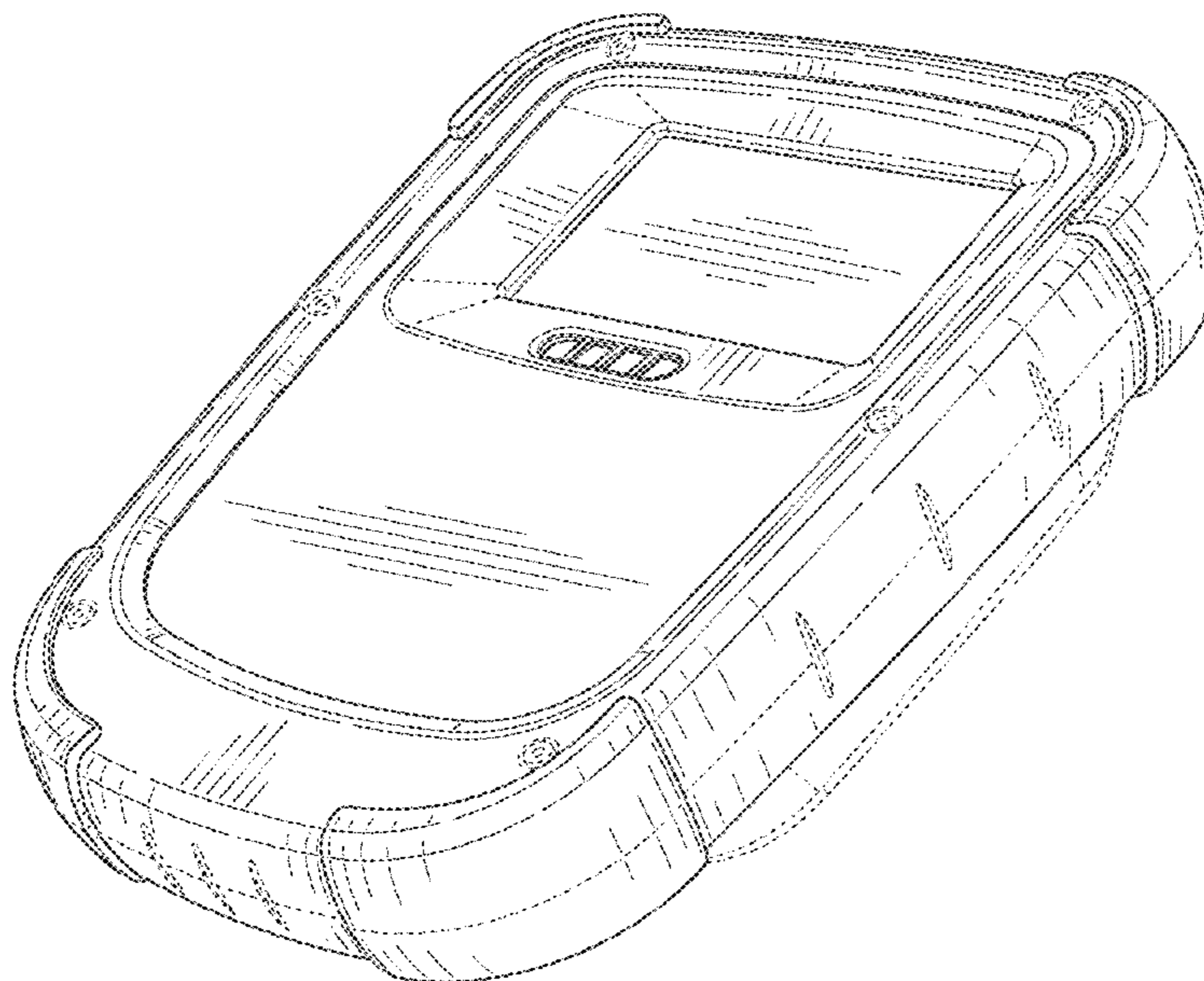
FIG. 3 is a rear elevation view of the device of FIG. 1.

FIG. 4 is a side elevation view of the device of FIG. 1. The side
depicted in FIG. 4 is identical to its opposite side of the
device.

FIG. 5 is a top plan view of the device of FIG. 1; and,

FIG. 6 is a bottom plan view of the device of FIG. 1.

1 Claim, 6 Drawing Sheets



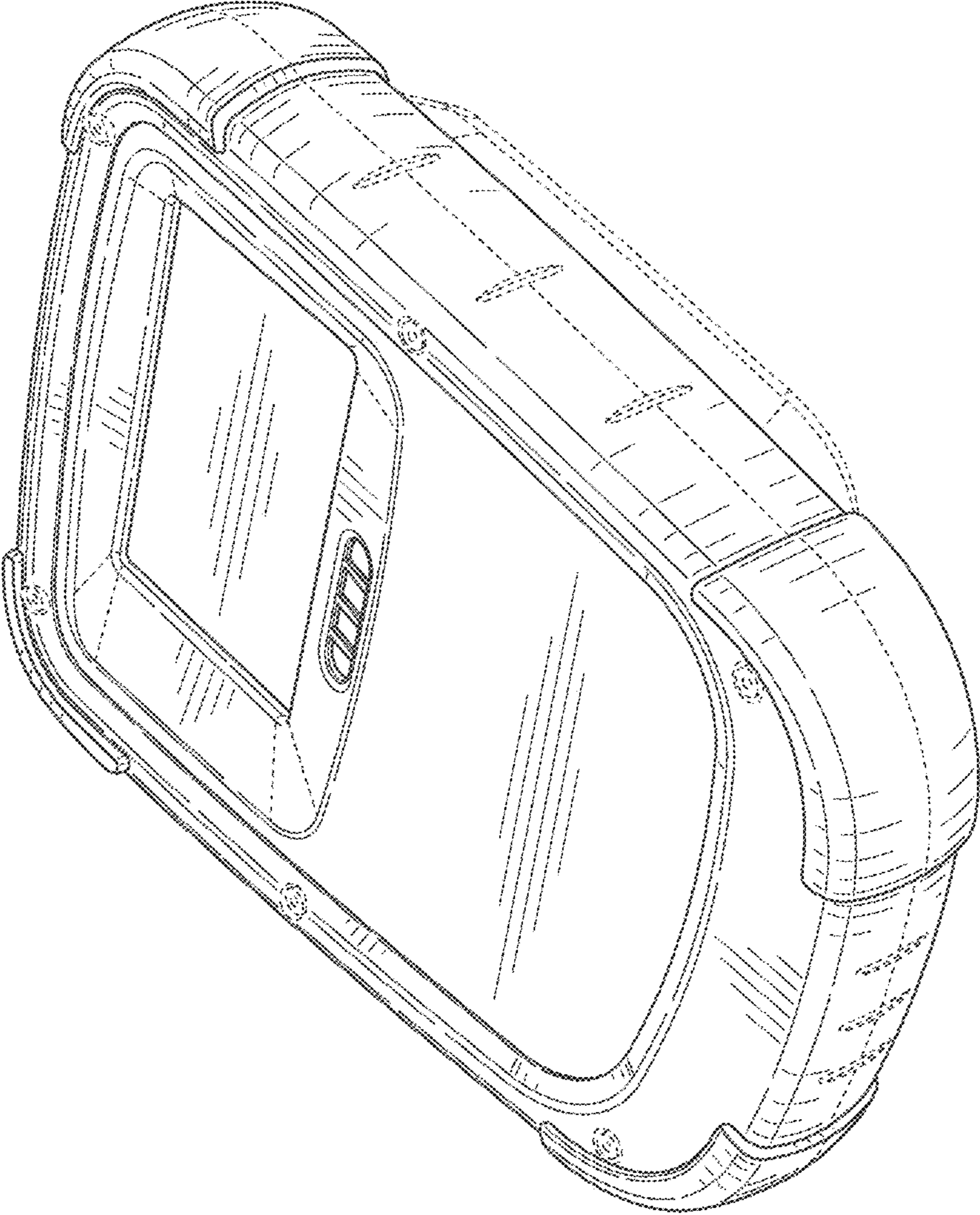


FIG. 1

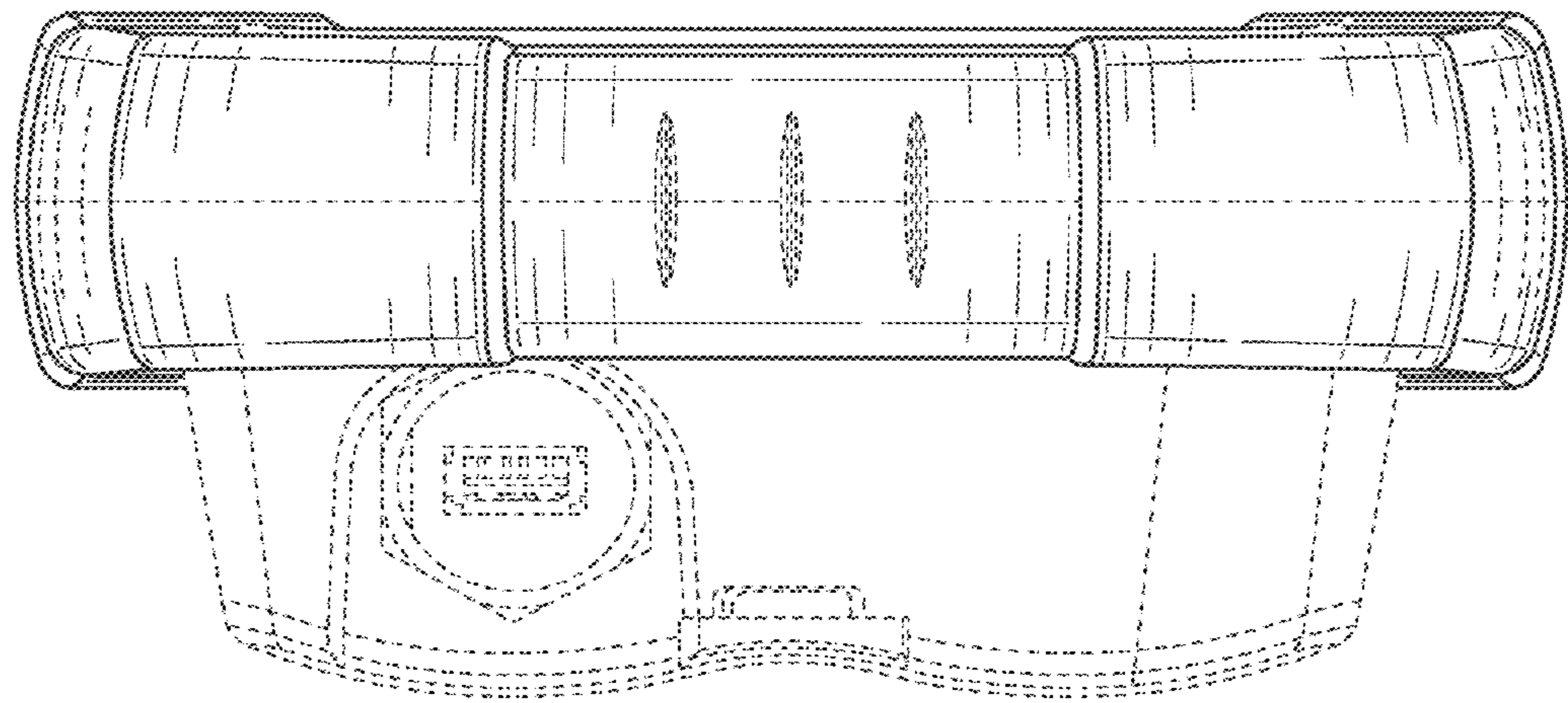


FIG. 2

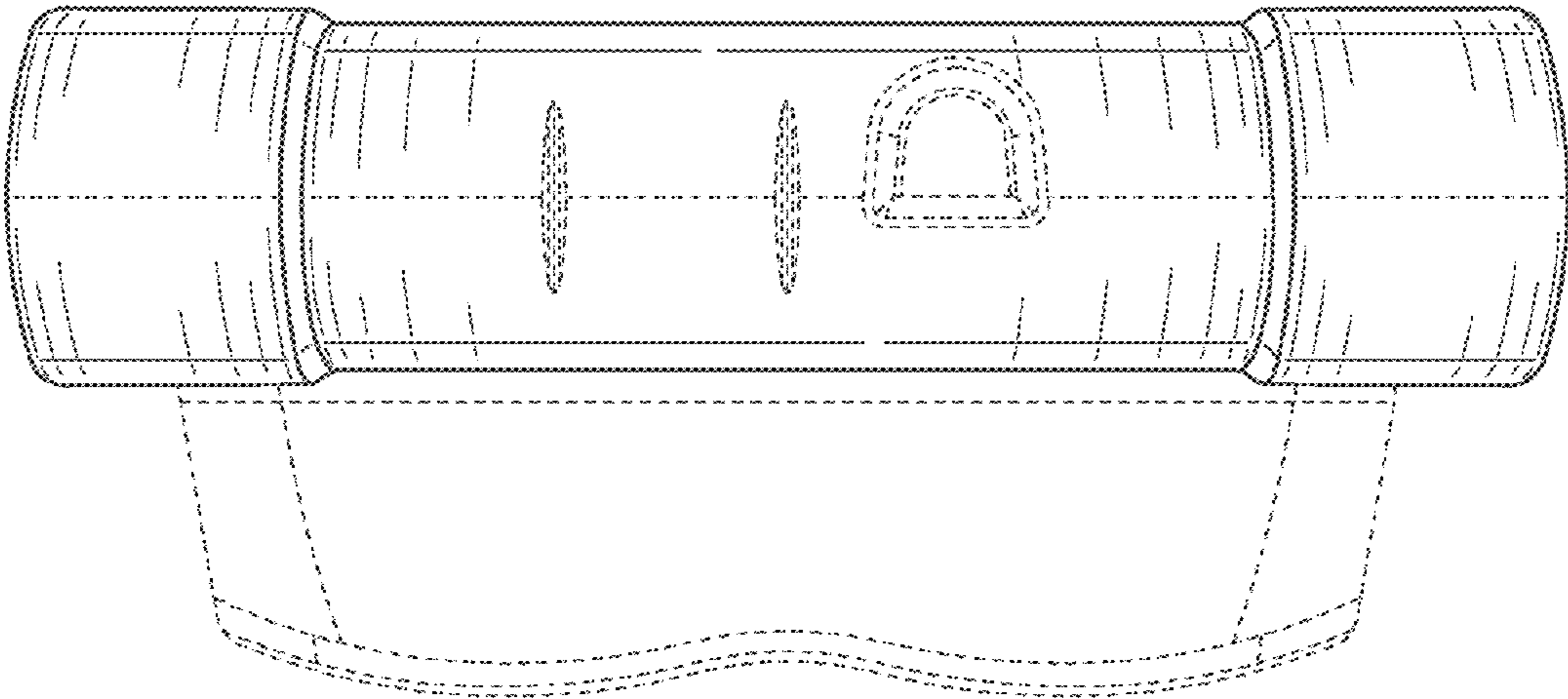


FIG. 3

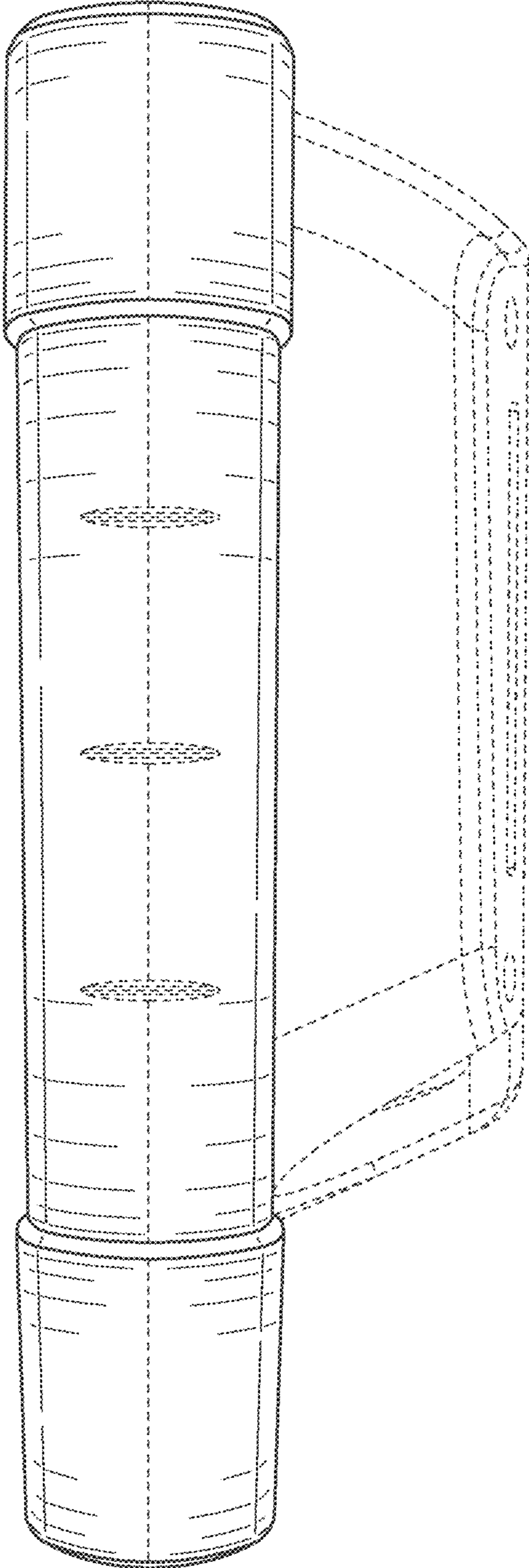


FIG. 4

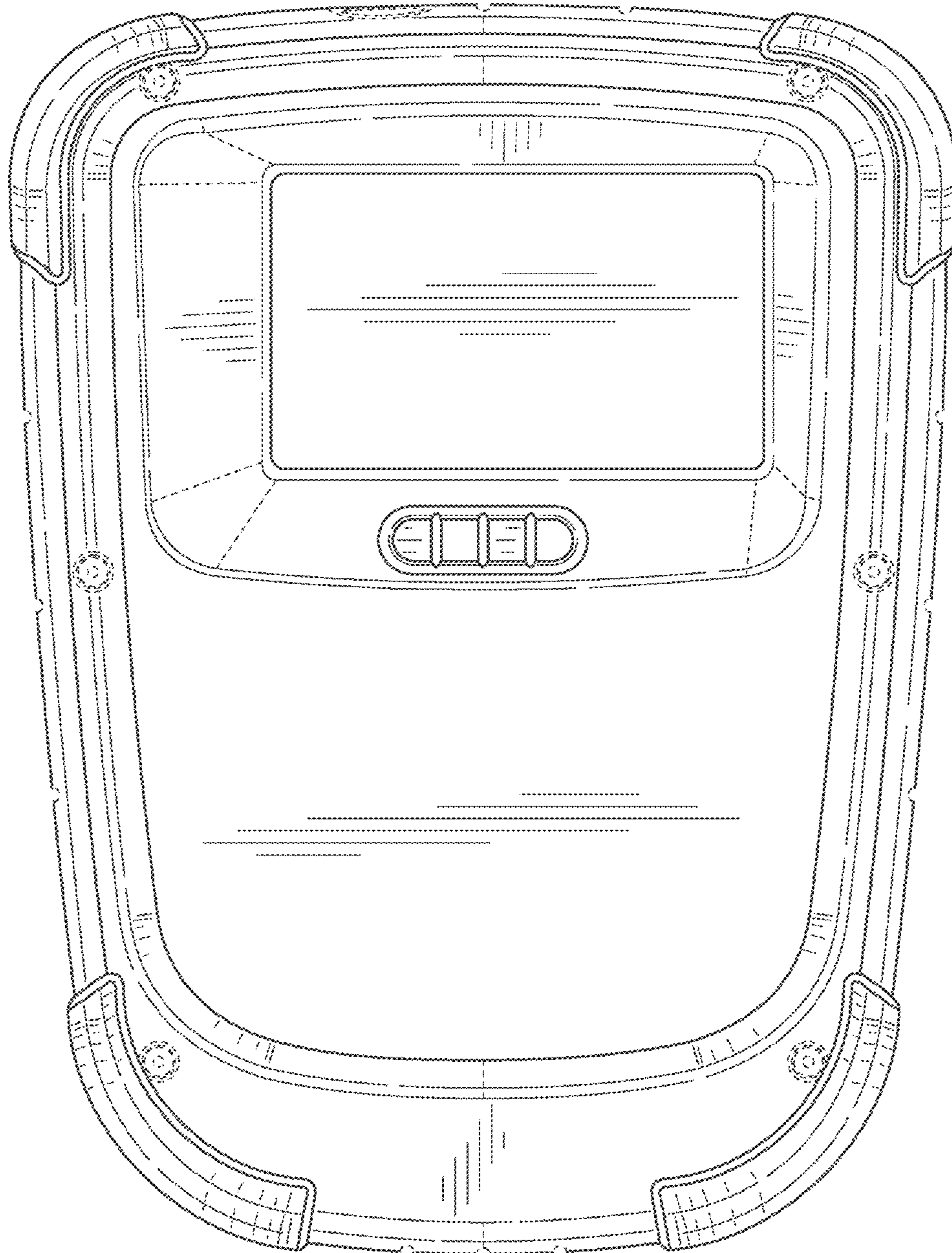


FIG. 5

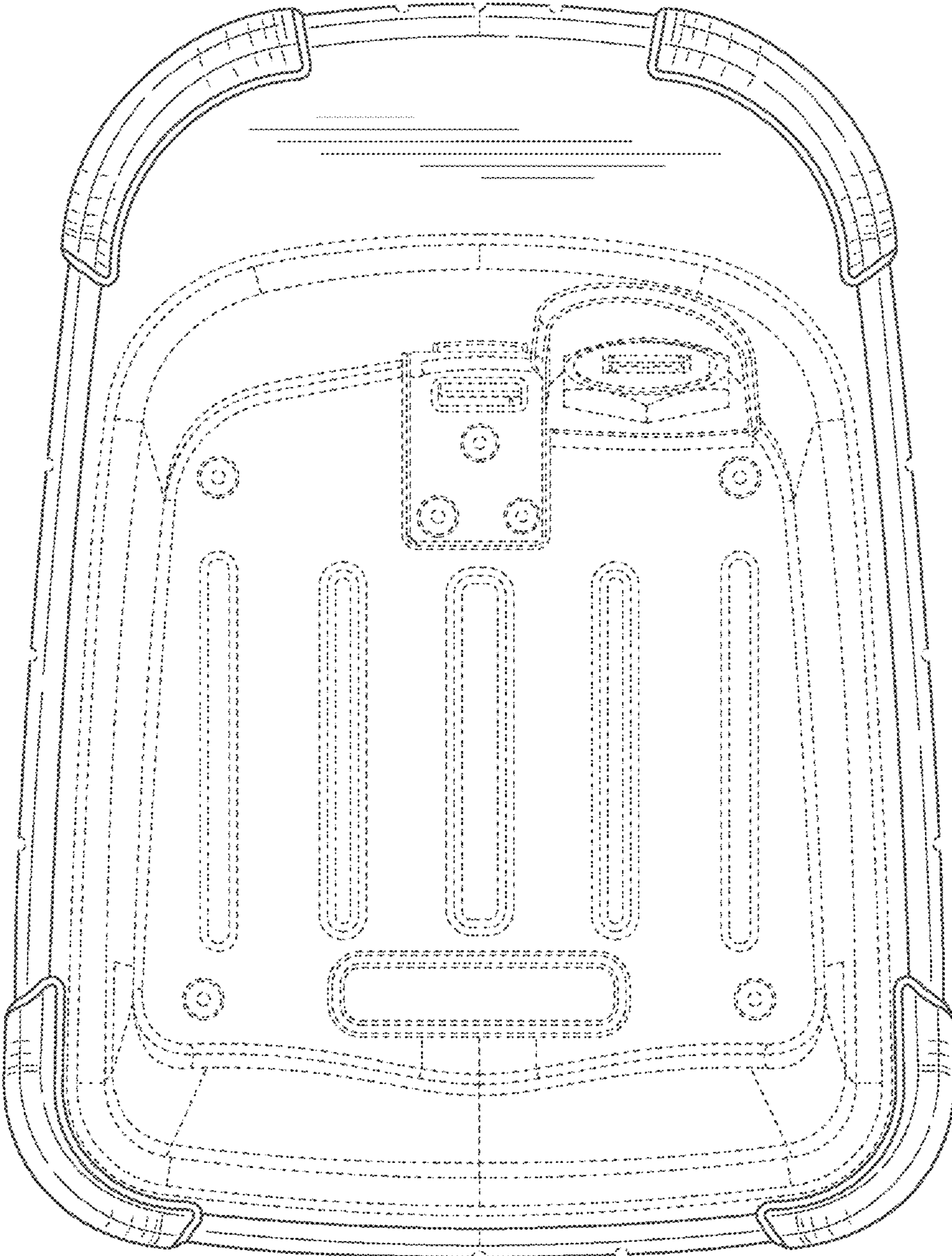


FIG. 6