



US00D724961S

(12) **United States Design Patent**  
**Vaptzarof**

(10) **Patent No.:** **US D724,961 S**  
(45) **Date of Patent:** **\*\* Mar. 24, 2015**

(54) **WATCH**

(75) **Inventor:** **Philippe Vaptzarof, L'Abbeye (CH)**

(73) **Assignee:** **HUBLLOT SA, Geneve, Geneva (CH)**

(\*\*) **Term:** **14 Years**

(21) **Appl. No.:** **29/423,914**

(22) **Filed:** **Jun. 6, 2012**

(30) **Foreign Application Priority Data**

Dec. 7, 2011 (WO) ..... DM/077 251

(51) **LOC (10) CL.** ..... **10-02**

(52) **U.S. Cl.**

USPC ..... **D10/39; D10/124; D10/126**

(58) **Field of Classification Search**

CPC ..... G04B 19/00; G04B 19/04; G04B 19/22;  
G04B 19/24; G04B 19/247; G04B 19/26;  
G04B 19/264; G04C 19/00; G04F 7/00;  
G04F 7/08; G04G 9/0082; G04G 9/02;  
G04G 9/08

USPC ..... D10/30-39, 122-132, 1-29; 368/10,  
368/15-17, 21, 22, 25-27, 28, 29, 30,  
368/76-78, 80, 88, 107, 113, 276, 280, 281,  
368/294, 309

See application file for complete search history.

(56) **References Cited**

**U.S. PATENT DOCUMENTS**

2,361,563 A \* 10/1944 Pellaton ..... 368/80  
4,972,393 A \* 11/1990 Sase et al. .... 368/28  
D327,445 S \* 6/1992 Fujihara ..... D10/39

5,631,878 A \* 5/1997 Chen ..... 368/21  
6,826,122 B2 \* 11/2004 Zaugg ..... 368/28  
D517,432 S \* 3/2006 Laucella ..... D10/39  
D539,674 S \* 4/2007 Vaptzarof ..... D10/38  
D551,993 S \* 10/2007 Kachi ..... D10/38  
D581,813 S \* 12/2008 Min ..... D10/38  
D582,792 S \* 12/2008 Lalo ..... D10/38  
D646,589 S \* 10/2011 Mille ..... D10/39  
D648,639 S \* 11/2011 Mille ..... D10/39  
D652,326 S \* 1/2012 Kummer ..... D10/38  
D658,527 S \* 5/2012 Ikezu et al. .... D10/124  
2002/0064099 A1 \* 5/2002 Wyssbrod et al. .... 368/113  
2010/0046328 A1 \* 2/2010 Olsen ..... 368/30

\* cited by examiner

*Primary Examiner* — Martie K Holtje

(74) *Attorney, Agent, or Firm* — Sughrue Mion, PLLC

(57) **CLAIM**

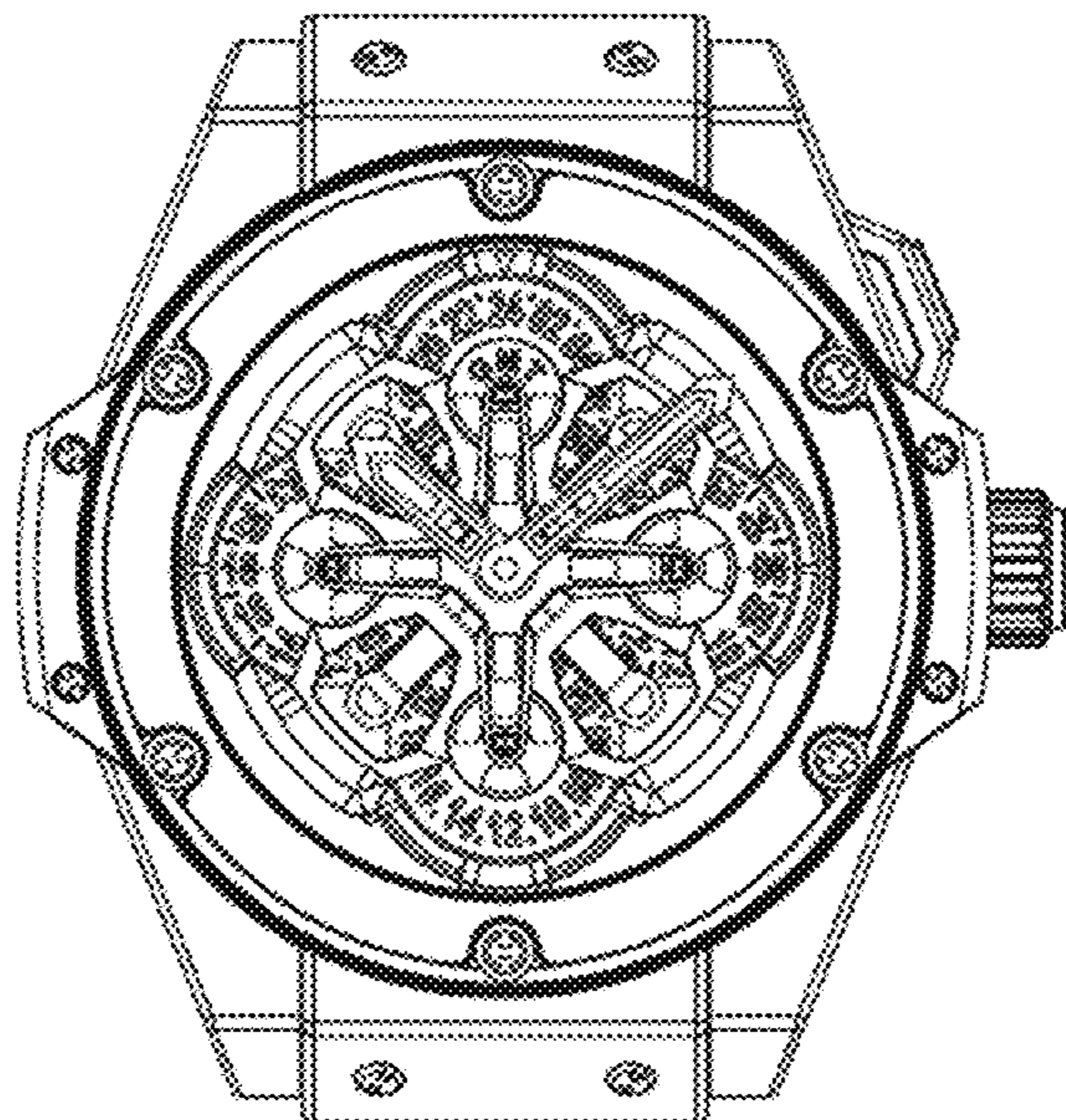
The ornamental design for a watch, as shown and described.

**DESCRIPTION**

FIG. 1 is a perspective view of the front and right side of a watch showing my new design;  
FIG. 2 is a top plan view thereof;  
FIG. 3 is a rear elevational view thereof;  
FIG. 4 is a left side elevational view thereof;  
FIG. 5 is a front elevational view thereof;  
FIG. 6 is a right side elevational view thereof; and,  
FIG. 7 is a bottom plan view thereof.

The structural features depicted by broken lines in FIG. 3 have been shown for the purpose of illustrating portions of the claimed watch that form no part of the claimed design.

**1 Claim, 7 Drawing Sheets**



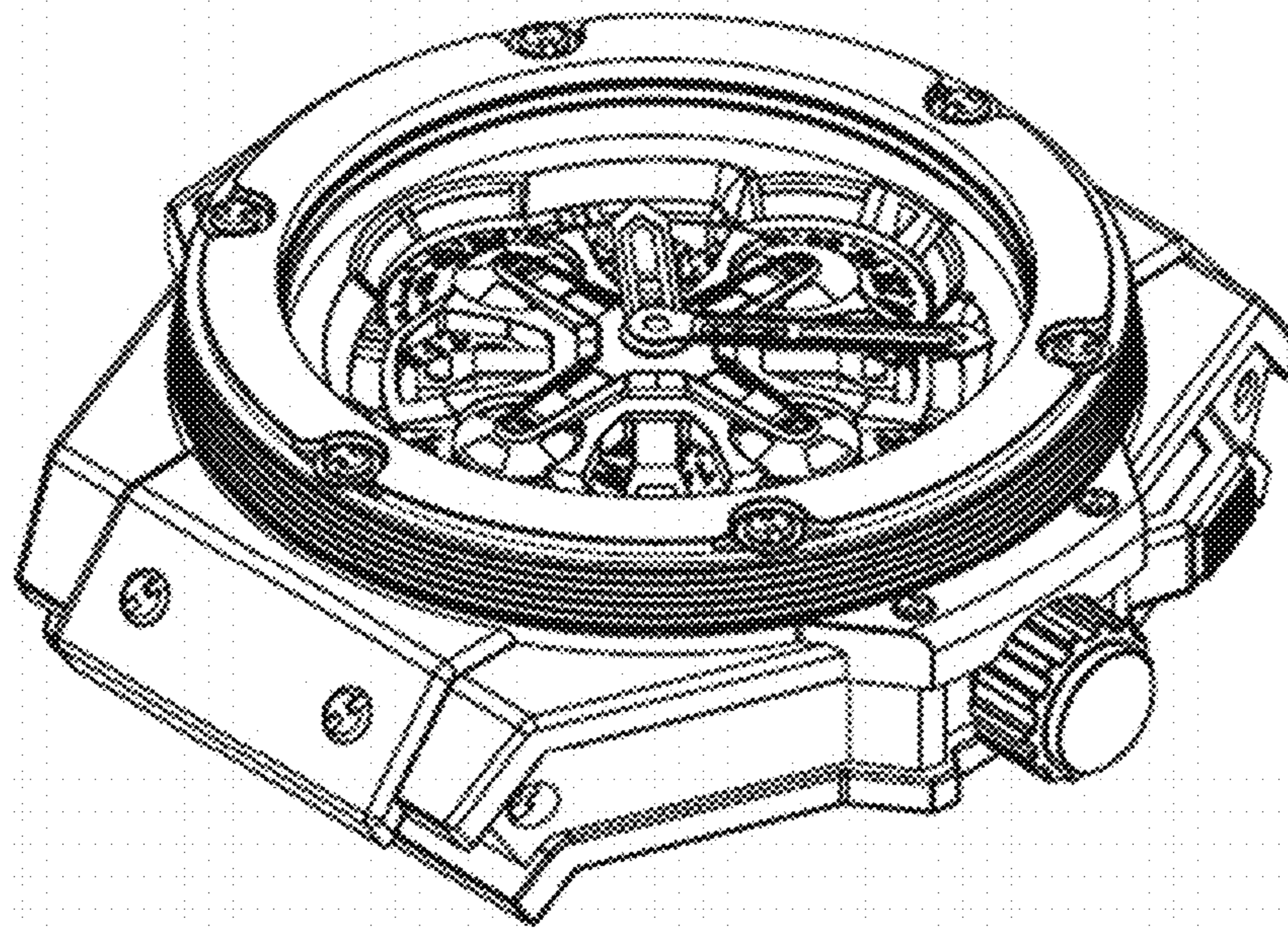


FIG. 1

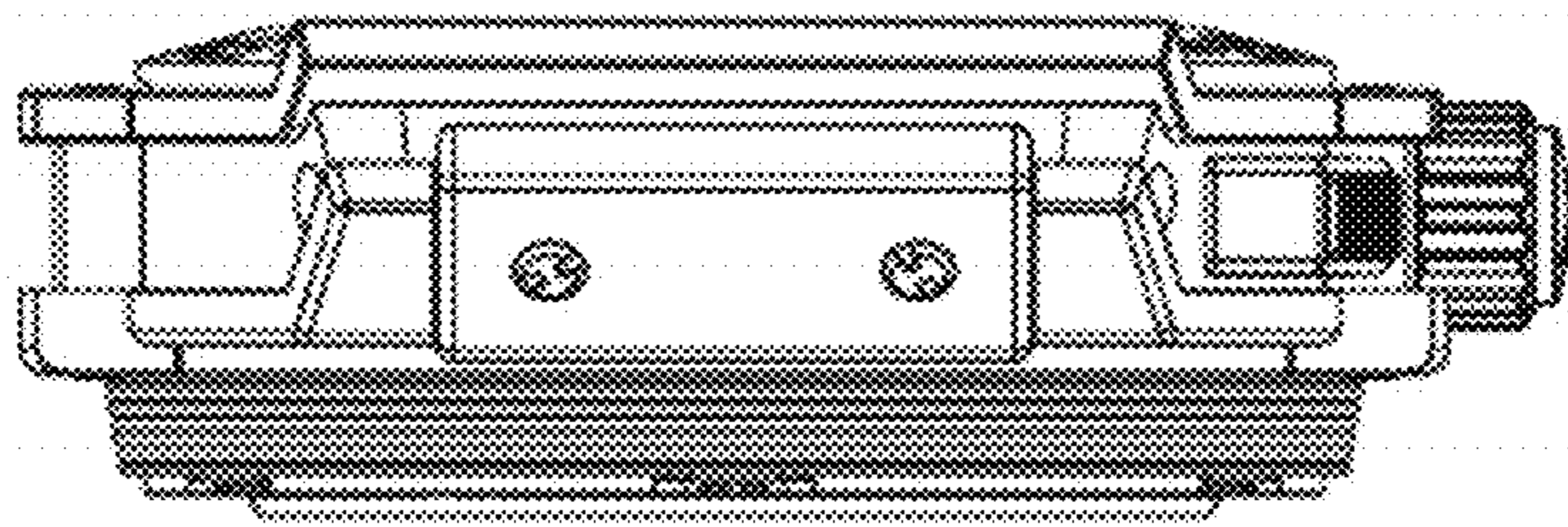


FIG. 2

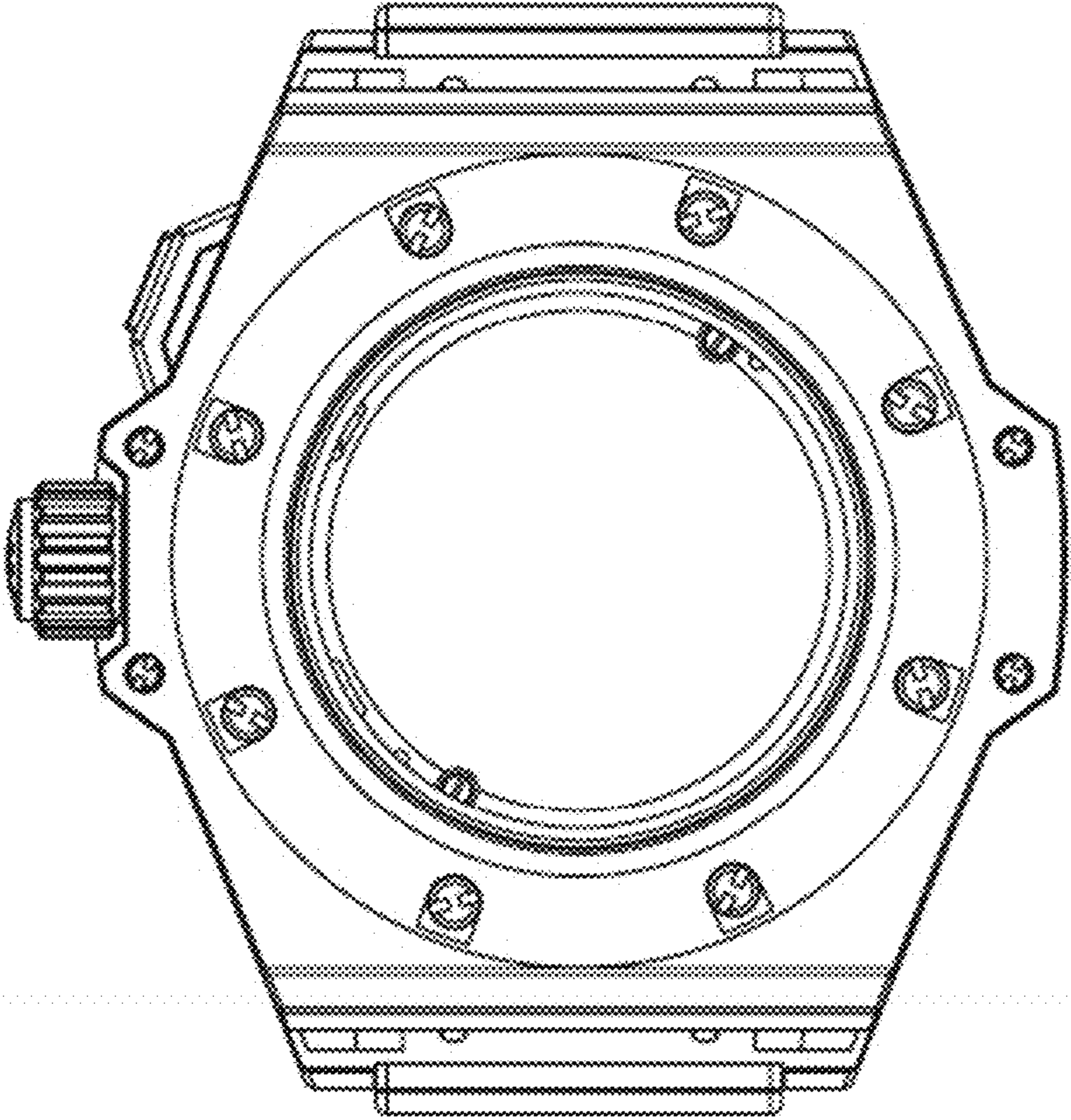


FIG. 3

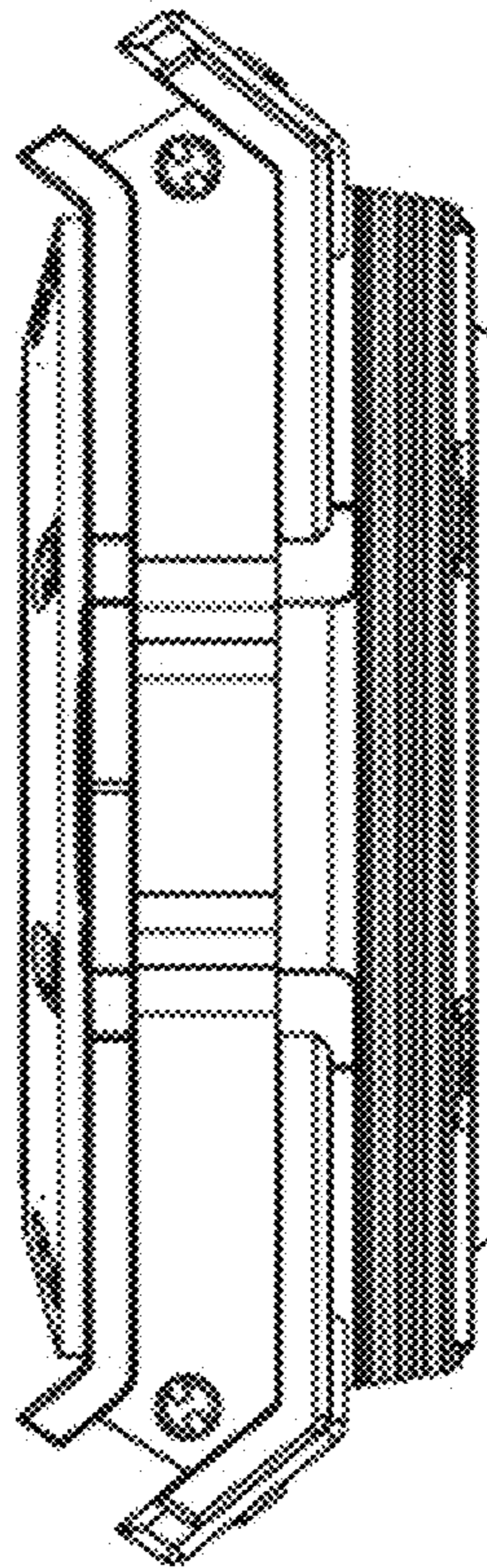


FIG. 4



FIG. 5

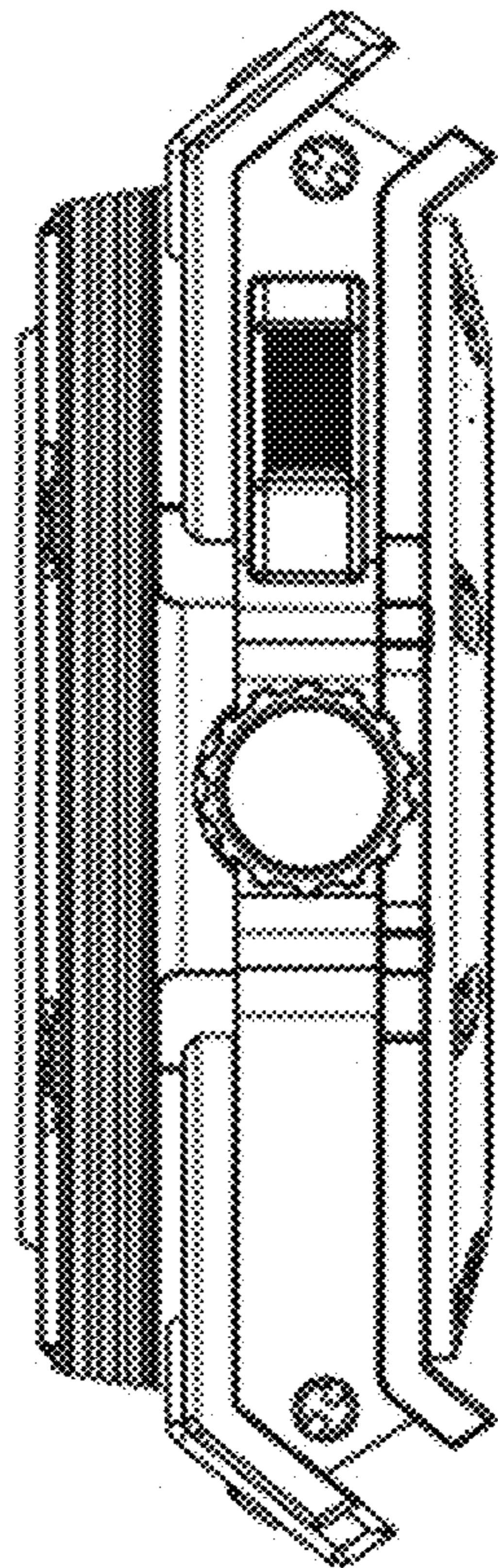


FIG. 6

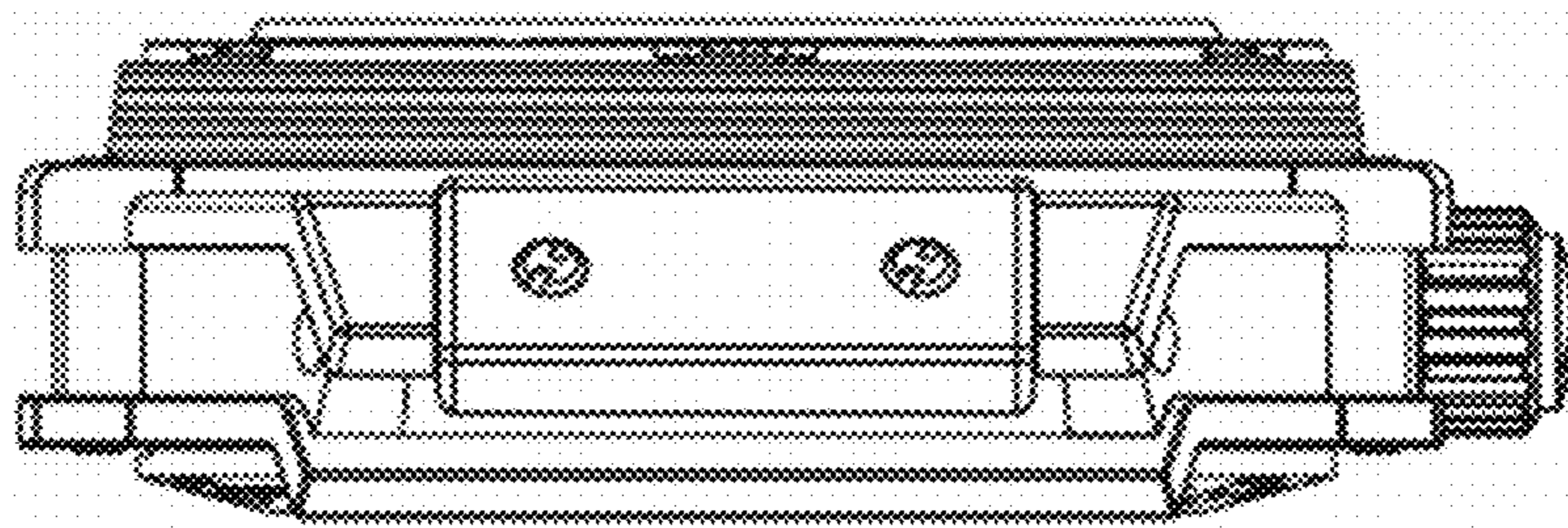


FIG. 7