



US00D724957S

(12) **United States Design Patent**
Horiba

(10) **Patent No.:** **US D724,957 S**
(45) **Date of Patent:** **** Mar. 24, 2015**

(54) **CLOCK**
(75) Inventor: **Tatsuya Horiba**, Saitama (JP)
(73) Assignee: **Rhythm Watch Co., Ltd.**, Saitama (JP)
(**) Term: **14 Years**
(21) Appl. No.: **29/408,205**
(22) Filed: **Dec. 8, 2011**

3,062,491 A * 11/1962 Green 248/116
D212,026 S * 8/1968 Levin D10/1
3,531,635 A * 9/1970 Hancock 362/101
D234,190 S * 1/1975 Daher D10/6
D307,520 S * 5/1990 Ilaria et al. D6/300
D335,459 S * 5/1993 Moore D10/28
D347,582 S * 6/1994 Moore D10/28
D354,401 S * 1/1995 Kim D6/303
6,229,768 B1 * 5/2001 Nakazawa et al. 368/223
7,480,213 B2 * 1/2009 Muraji 368/223

* cited by examiner

(30) **Foreign Application Priority Data**
Sep. 14, 2011 (JP) 2011-20884
(51) **LOC (10) Cl.** **10-01**
(52) **U.S. Cl.**
USPC **D10/22; D10/23**
(58) **Field of Classification Search**
CPC G04B 17/02; G04B 19/00; G04B 19/04;
G04B 37/14; G04B 37/1473; G04B 45/0069;
G04B 45/0076
USPC D10/1-39, 122-132; D19/64; D6/300,
D6/303; 368/10, 76, 80, 223, 228, 232,
368/276-282, 285; 434/304; 362/101;
248/116; 53/632
See application file for complete search history.

Primary Examiner — Martie K Holtje
(74) *Attorney, Agent, or Firm* — Kubotera & Associates, LLC

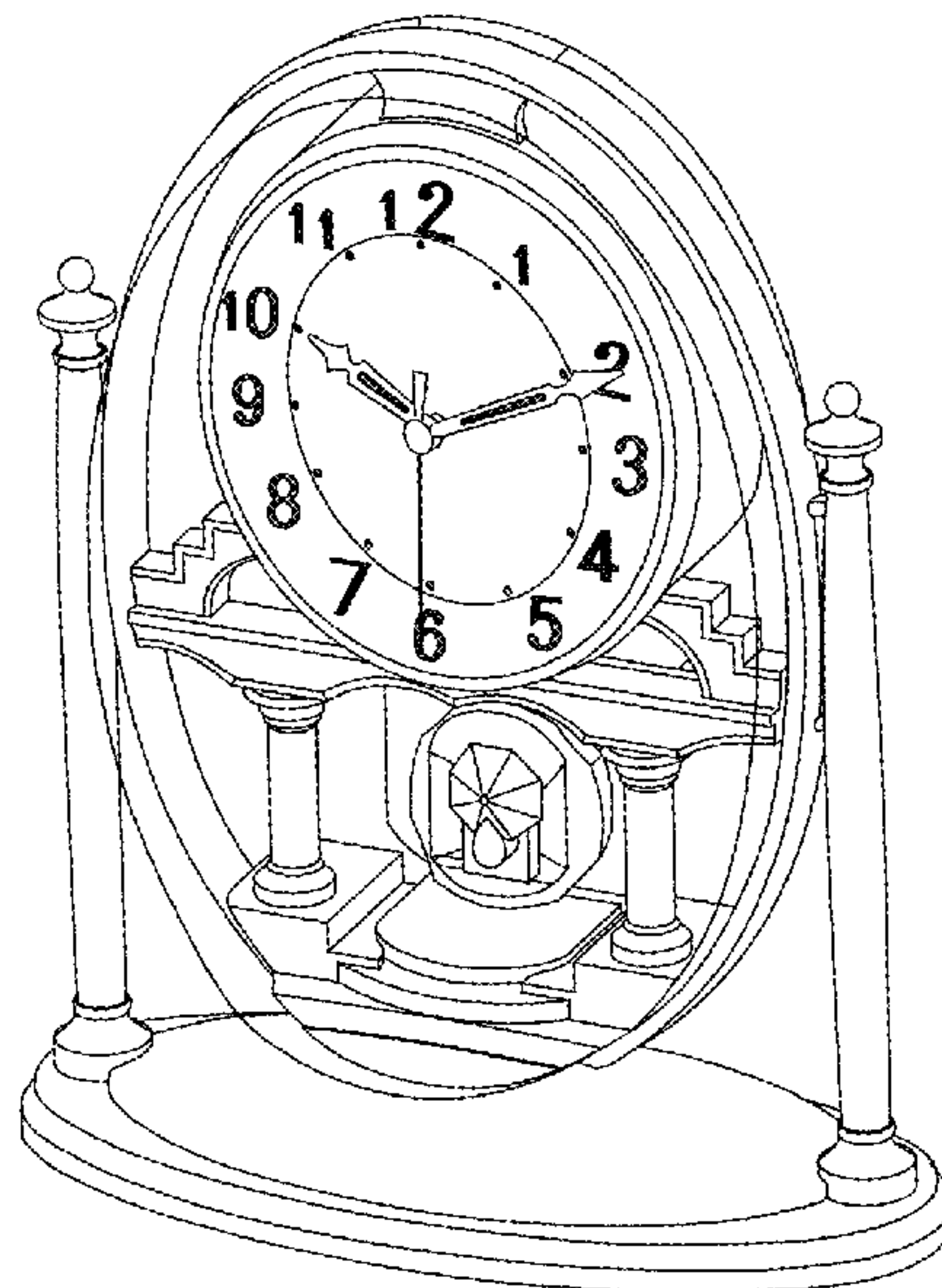
(57) **CLAIM**
The ornamental design for a clock, as shown and described.

DESCRIPTION

FIG. 1 is a perspective view of a clock showing my new design;
FIG. 2 is a front view thereof;
FIG. 3 is a rear view thereof;
FIG. 4 is a right side view thereof, a left side view being symmetrical to the right side view;
FIG. 5 is a top plan view thereof;
FIG. 6 is a bottom plan view thereof;
FIG. 7 is a sectional view thereof, taken in the direction of arrows 7-7 in FIG. 2, with the internal mechanism of the clock omitted; and,
FIG. 8 is a referential rear view thereof illustrating the transparent portions.
The broken lines in FIG. 6 represent a boundary, the area within which forms no part of the claimed design.

(56) **References Cited**
U.S. PATENT DOCUMENTS
D11,092 S * 3/1879 Spring D10/1
D66,913 S * 3/1925 Weidman D10/1
D75,312 S * 5/1928 Wessler D10/128
2,351,679 A * 6/1944 Harris 52/632

1 Claim, 4 Drawing Sheets



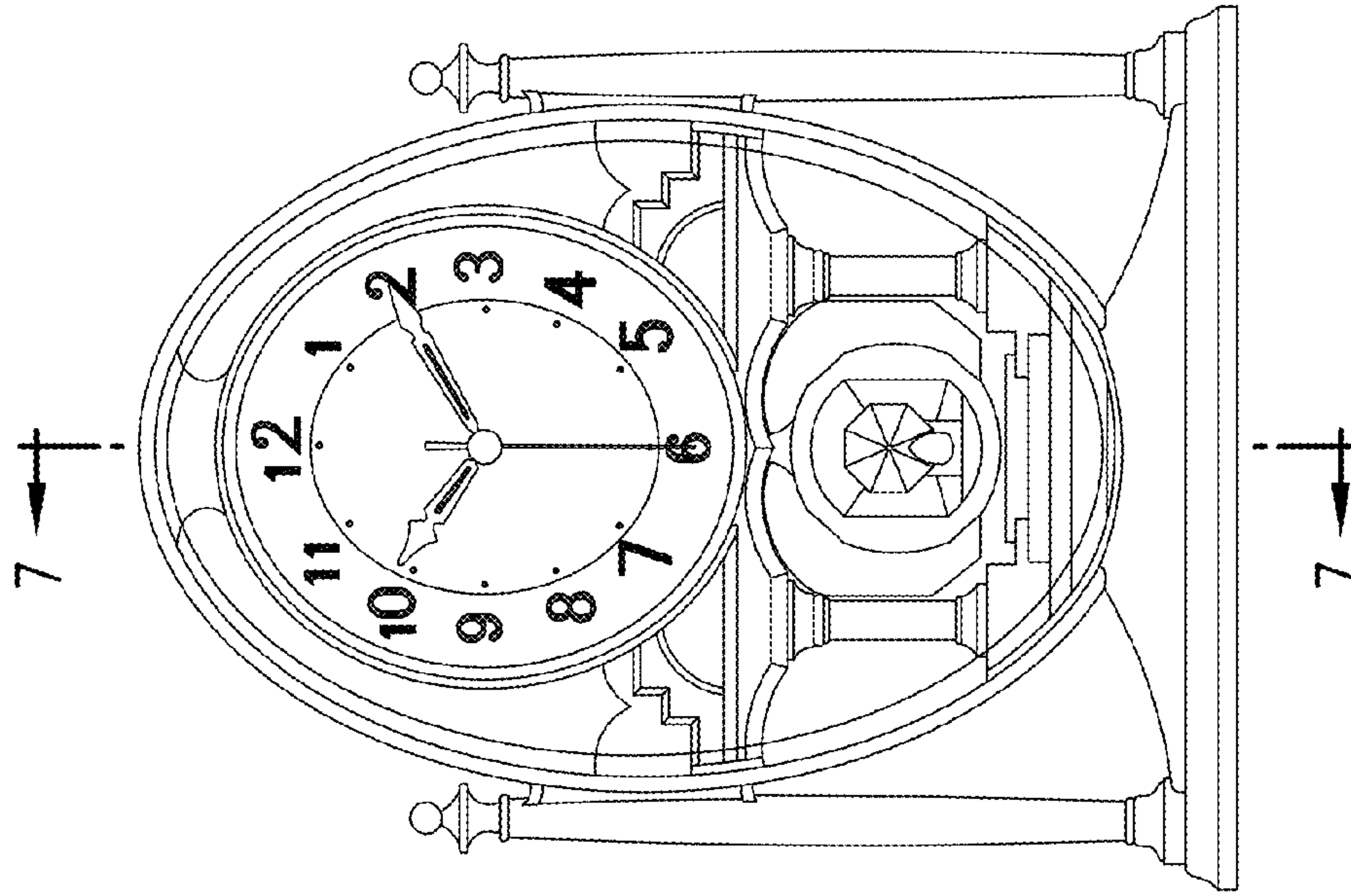


FIG. 1

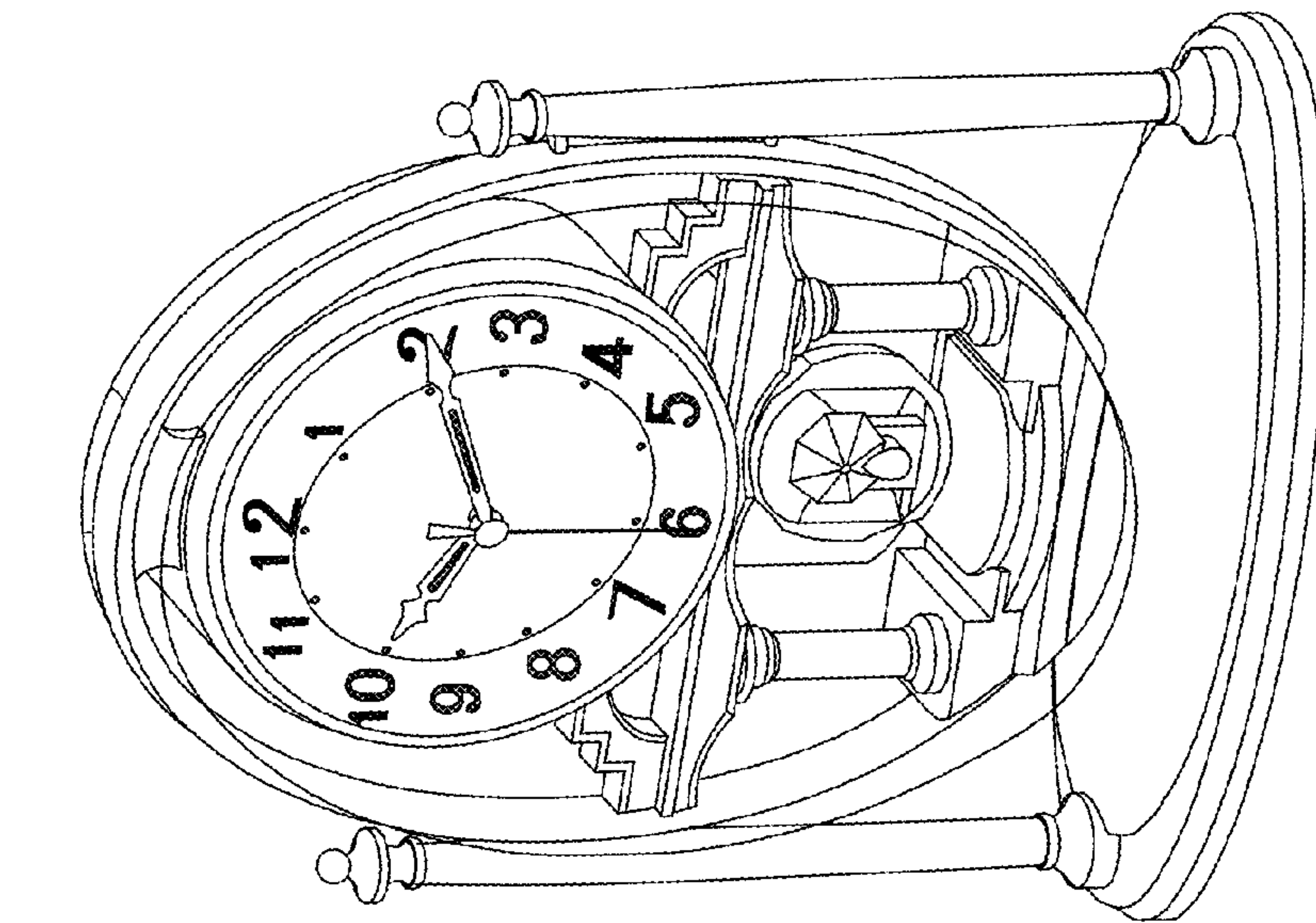


FIG. 2

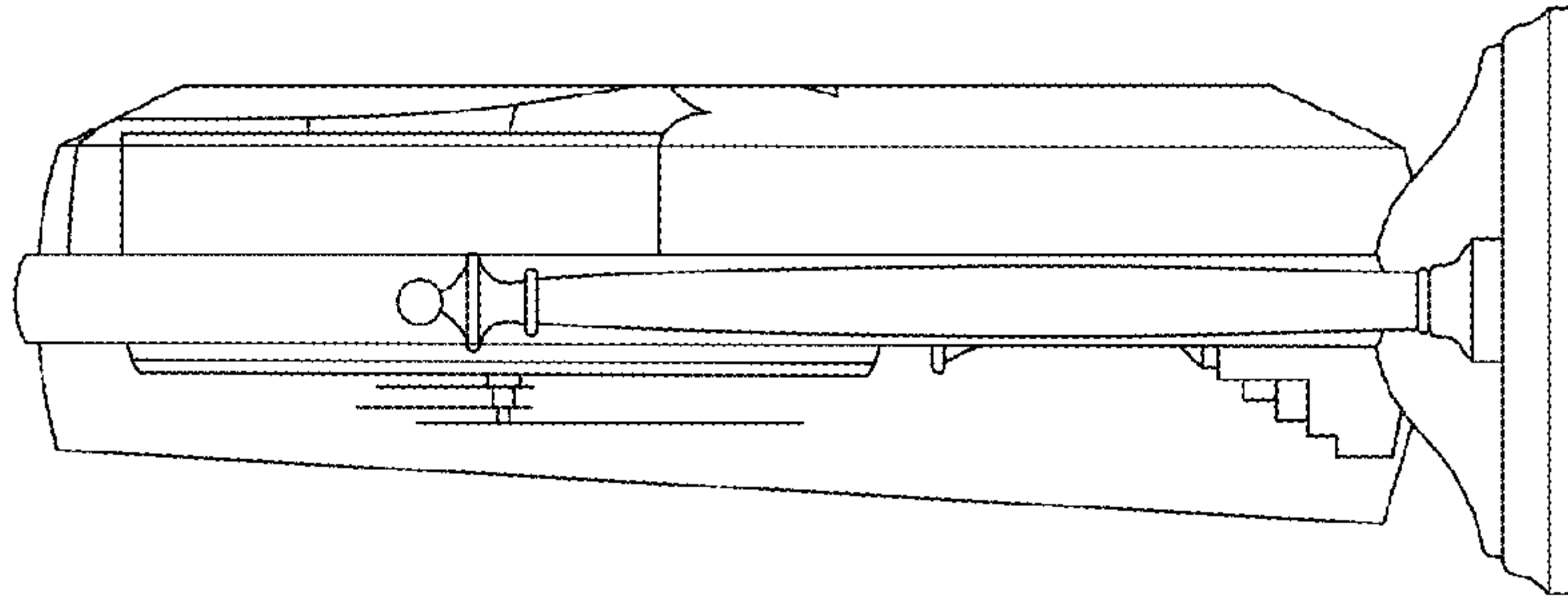


FIG. 4

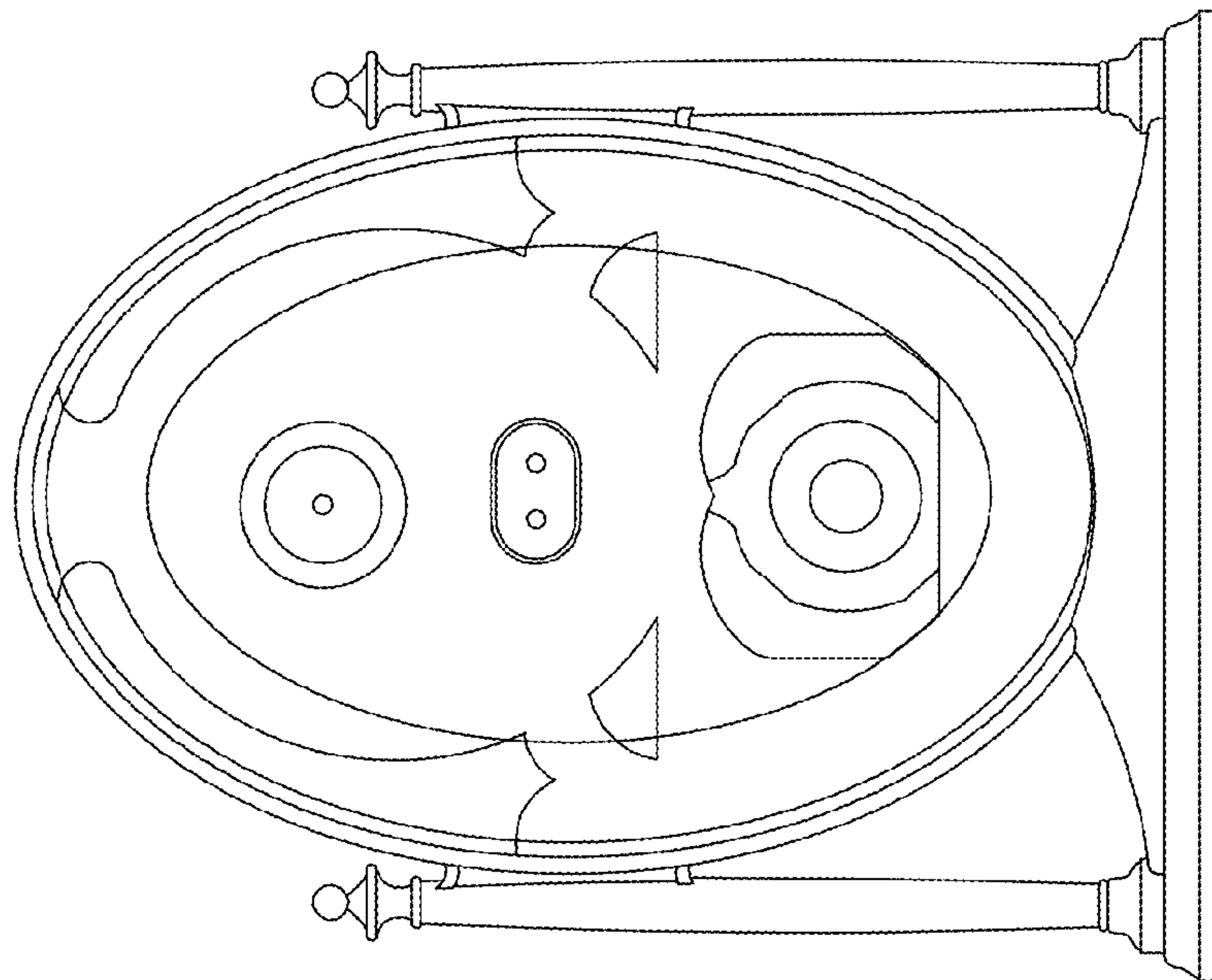


FIG. 3

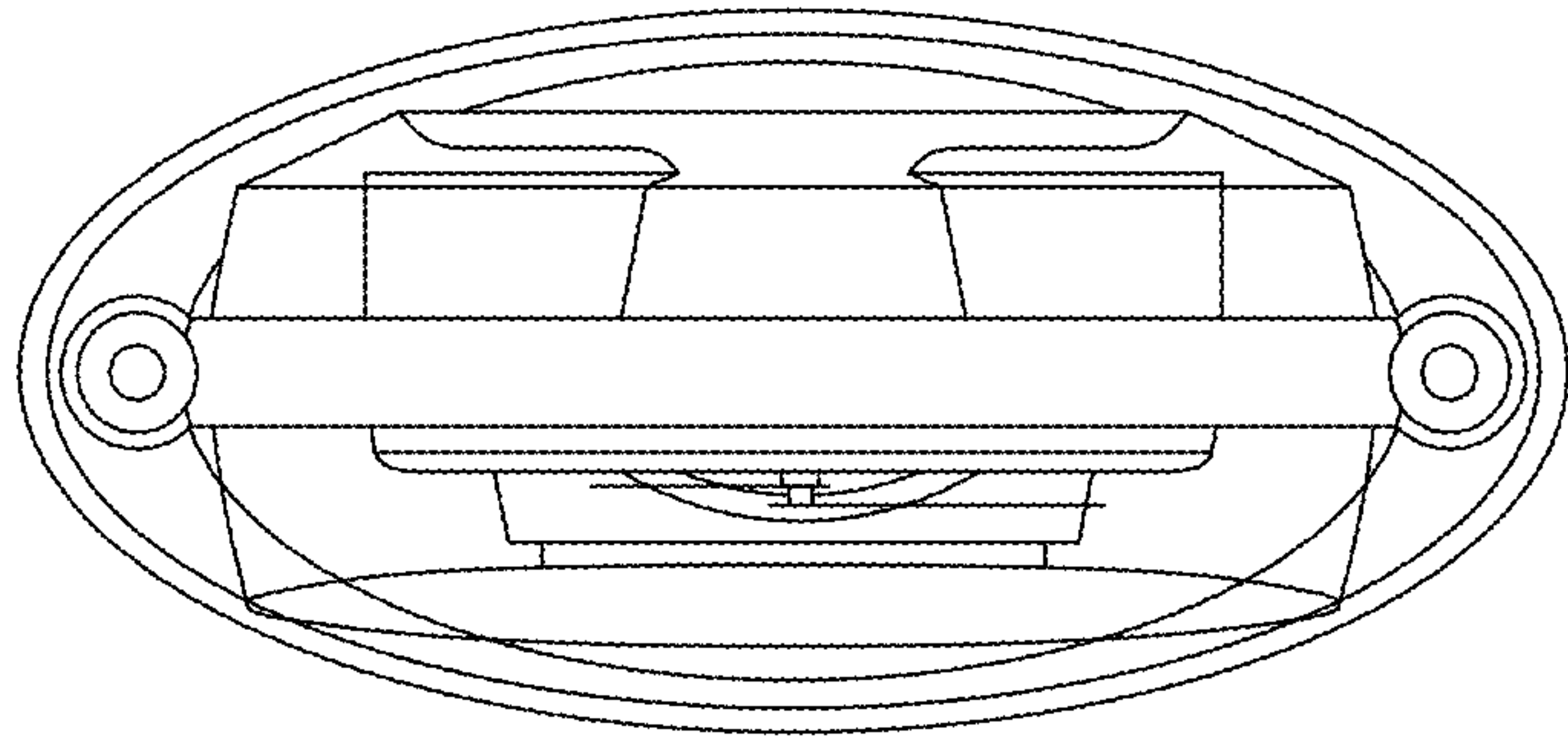


FIG. 5

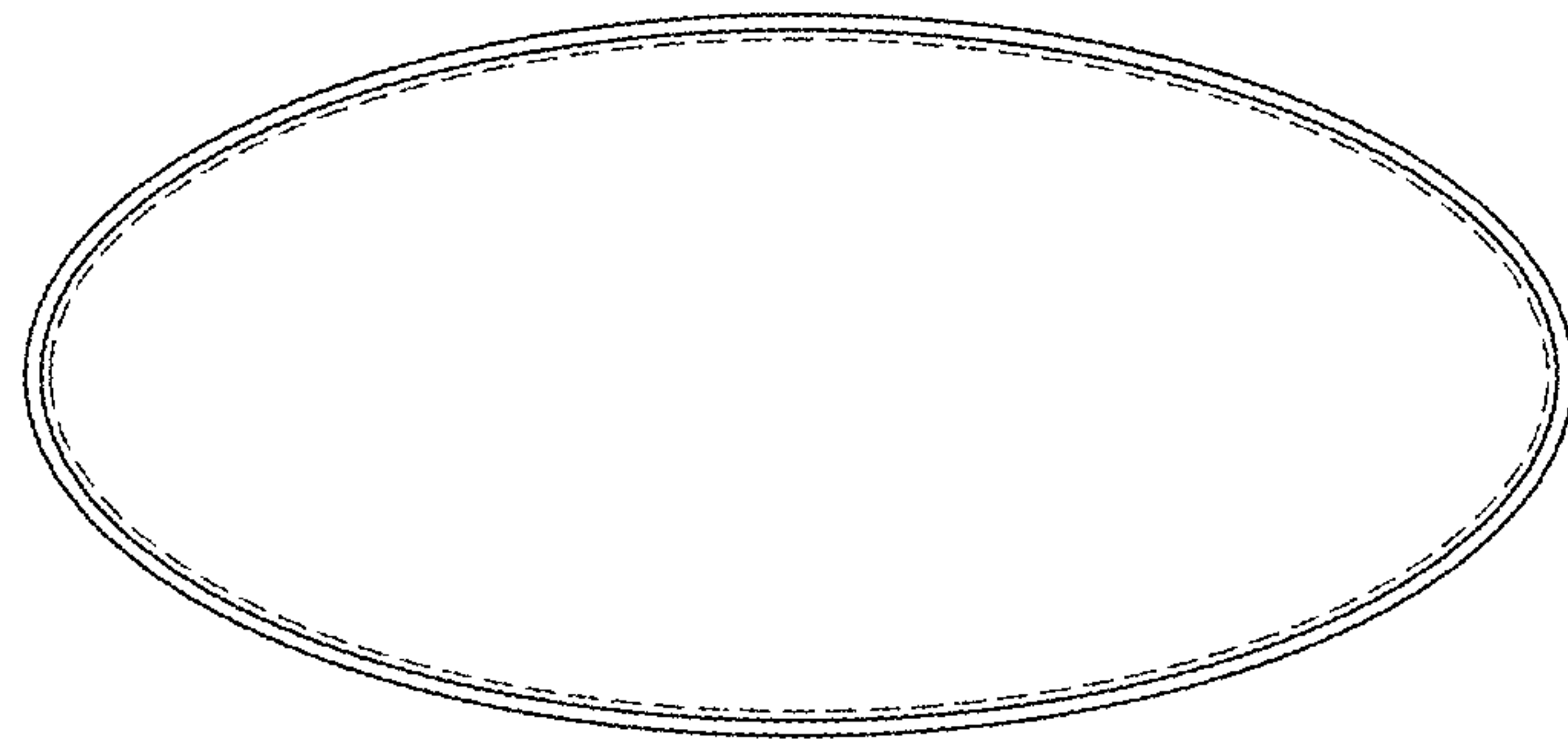


FIG. 6

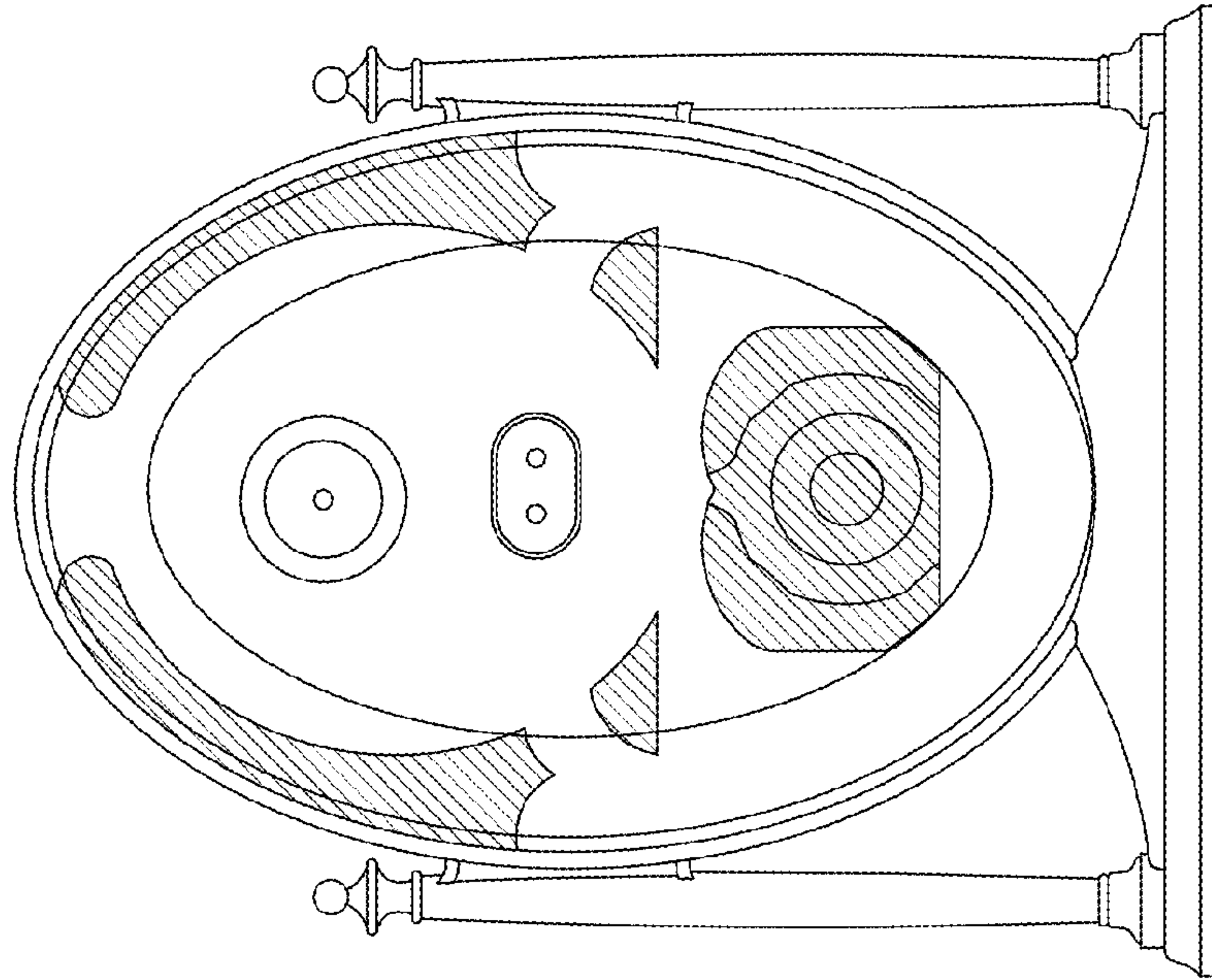


FIG. 8

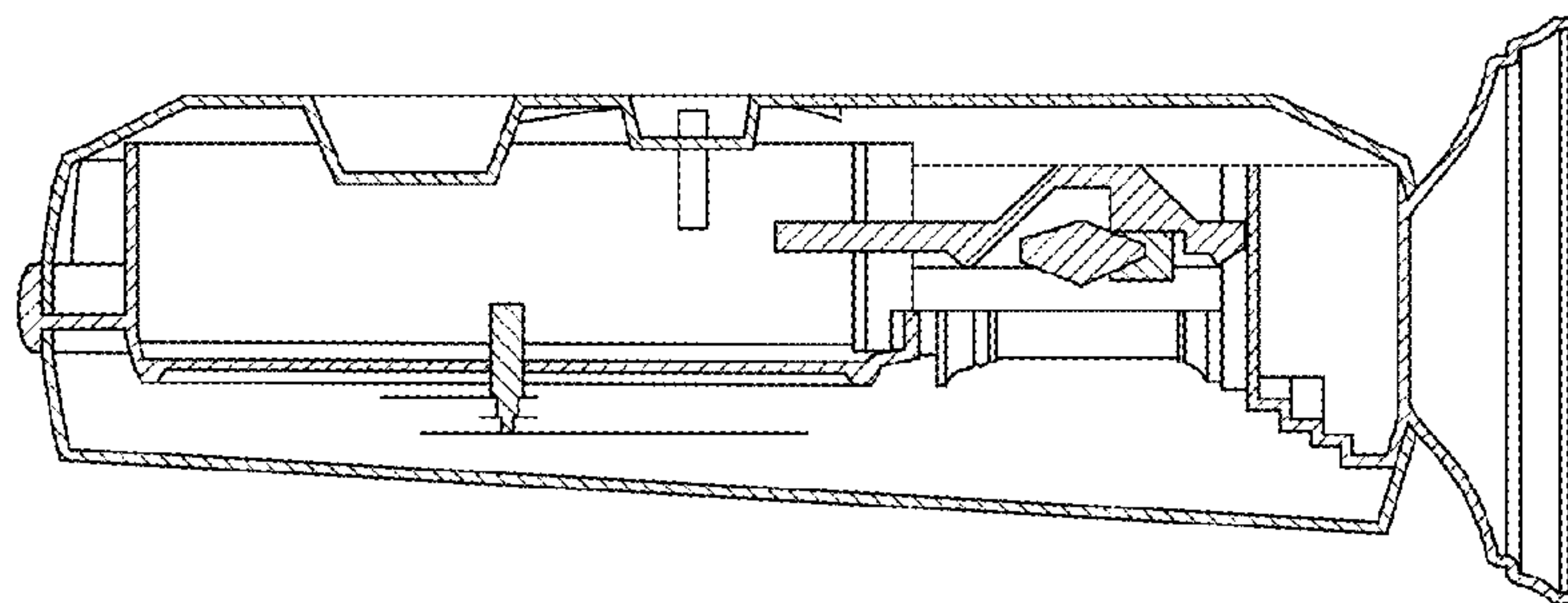


FIG. 7