



US00D724954S

(12) **United States Design Patent**  
**Niggemyer**

(10) **Patent No.:** **US D724,954 S**  
(45) **Date of Patent:** **\*\* Mar. 24, 2015**

- (54) **FLEXIBLE CONTAINER**
- (71) Applicant: **Decko Products, Inc.**, Sandusky, OH (US)
- (72) Inventor: **F. William Niggemyer**, Fremont, OH (US)
- (73) Assignee: **Decko Products, Inc.**, Sandusky, OH (US)
- (\*\*) Term: **14 Years**
- (21) Appl. No.: **29/493,945**
- (22) Filed: **Jun. 16, 2014**
- (51) **LOC (10) Cl.** ..... **09-05**
- (52) **U.S. Cl.**  
USPC ..... **D9/708**
- (58) **Field of Classification Search**  
CPC ..... B65D 1/0223; B65D 79/005  
USPC ..... D9/702-714, 720-722, 414, 434-435, D9/696, 716, 771, 447, 516-517, 738-747, D9/544; D24/118, 207; 383/6, 9, 22, 96, 383/61.1, 80-81, 104, 901, 63, 203, 107, 383/119-120, 123; 222/107, 92, 206; 604/408, 410, 403; 220/495.03, 675; 215/381-385, 400; 206/484; D3/202; 428/34.3  
See application file for complete search history.

- 3,847,523 A 11/1974 Parrish et al.
- 4,572,386 A 2/1986 Marcus
- 4,760,941 A 8/1988 Salmon et al.
- D299,228 S 1/1989 Kurosu et al.
- 4,961,517 A 10/1990 Tkac
- 5,026,194 A 6/1991 Lewis
- 5,114,044 A 5/1992 Spanek, Jr.
- 5,248,071 A 9/1993 Ray
- 5,287,898 A 2/1994 Falb et al.
- 5,373,965 A 12/1994 Halm et al.
- 5,758,787 A 6/1998 Sheu
- 5,758,802 A 6/1998 Wallays
- 5,941,642 A 8/1999 Darmstadter

(Continued)

*Primary Examiner* — Caron D Veynar  
*Assistant Examiner* — Abraham Bahta  
(74) *Attorney, Agent, or Firm* — Fraser Clemens Martin & Miller LLC; James D. Miller

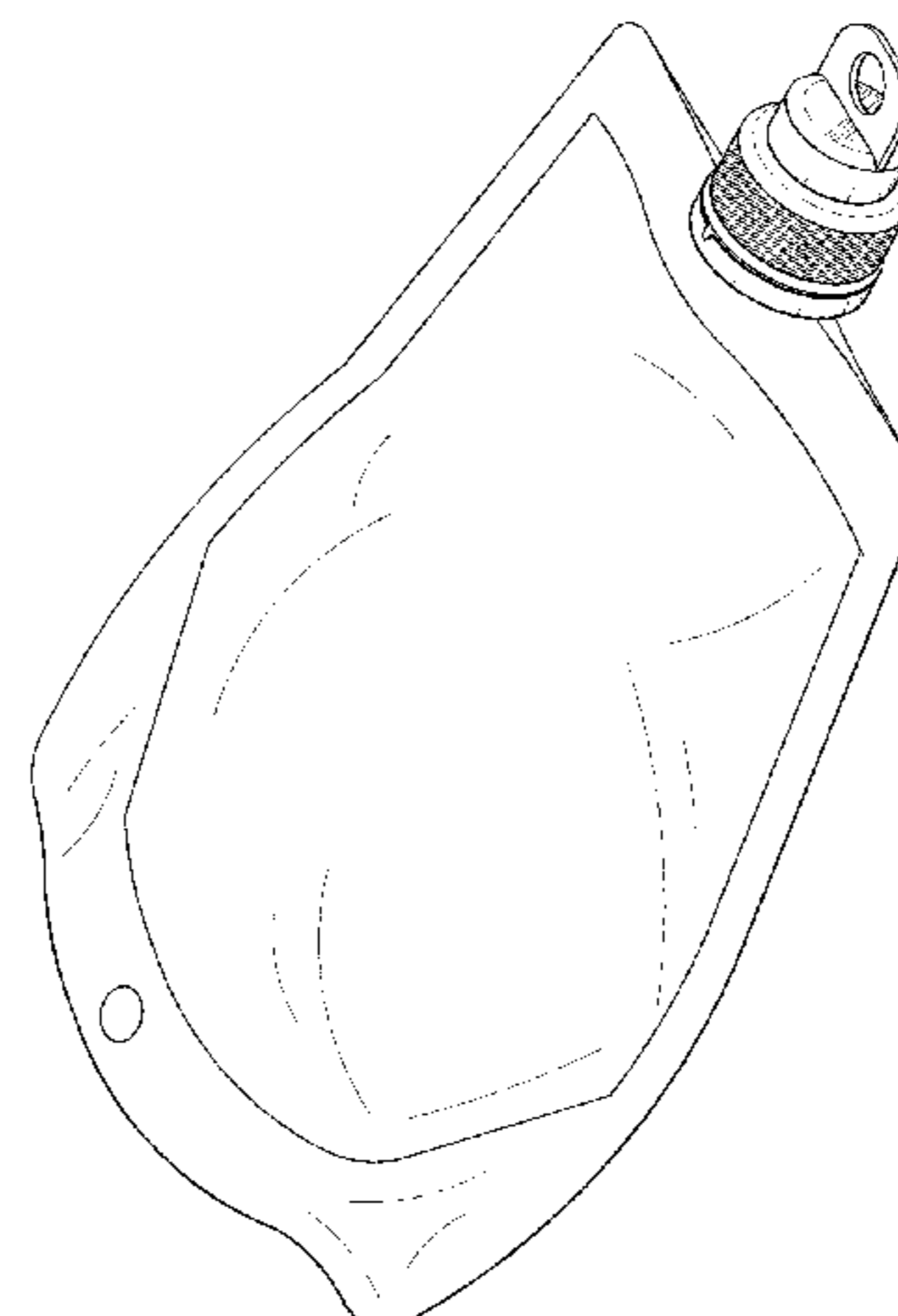
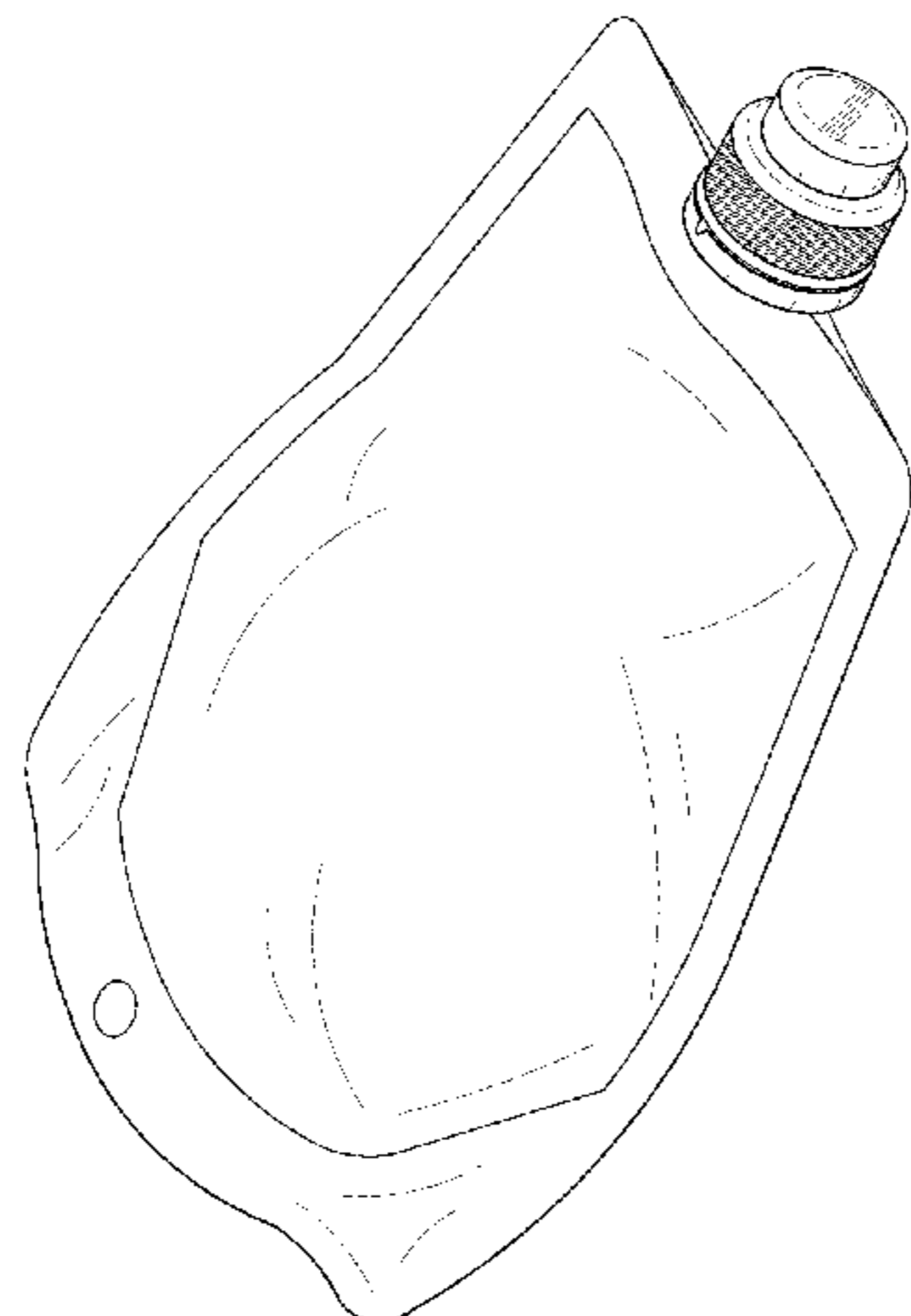
(57) **CLAIM**  
The ornamental design for a flexible container, as shown and described.

**DESCRIPTION**

FIG. 1 is perspective view of the first embodiment of the flexible container showing my new design; FIG. 2 is a front elevational view thereof, the rear elevational view being identical; FIG. 3 is a top plan view thereof; FIG. 4 is a bottom plan view thereof; FIG. 5 is a left side elevational view thereof; the right side elevational view being identical; FIG. 6 is a perspective view of the second embodiment of the flexible container; FIG. 7 is a front elevational view thereof, the rear elevational view being identical; FIG. 8 is a top plan view thereof; wherein a bottom plan view not shown is identical to the bottom view elevational view of FIG. 4; and, FIG. 9 is a left side elevational view thereof, the right side elevational view being identical.

**1 Claim, 7 Drawing Sheets**

- (56) **References Cited**  
U.S. PATENT DOCUMENTS
- 2,337,616 A 12/1943 McManus et al.
- 2,441,649 A 5/1948 Sprague
- 2,539,944 A 1/1951 Bury
- 2,620,756 A 12/1952 Krens
- 2,947,015 A 8/1960 Burt
- 3,023,925 A 3/1962 Sher
- 3,801,247 A 4/1974 Parrish et al.
- 3,827,593 A 8/1974 Kramb et al.
- 3,827,893 A 8/1974 Meissner et al.



(56)

**References Cited**

U.S. PATENT DOCUMENTS

5,971,613 A 10/1999 Bell  
6,153,238 A 11/2000 Shannon  
6,190,366 B1 2/2001 Tani  
6,241,122 B1 6/2001 Araki et al.  
6,270,277 B1 8/2001 Ogino et al.  
6,592,282 B2 7/2003 Fontanet et al.  
6,981,614 B2 1/2006 Niggemyer  
D560,719 S 1/2008 Wehmeyer  
7,337,923 B2 3/2008 Niggemyer et al.

7,762,439 B2 7/2010 Niggemyer et al.  
D627,237 S \* 11/2010 Ueda et al. .... D9/708  
D644,937 S \* 9/2011 Ueda et al. .... D9/708  
D656,038 S \* 3/2012 Molayem ..... D9/708  
D658,075 S \* 4/2012 Umenaka ..... D9/708  
D660,720 S \* 5/2012 Umenaka ..... D9/708  
D667,313 S \* 9/2012 Hensen ..... D9/708  
D687,319 S \* 8/2013 Panetta ..... D9/709  
D700,846 S \* 3/2014 LaMartina et al. .... D9/708  
D716,151 S \* 10/2014 Bell et al. .... D9/708  
2005/0087556 A1 4/2005 Signorini

\* cited by examiner

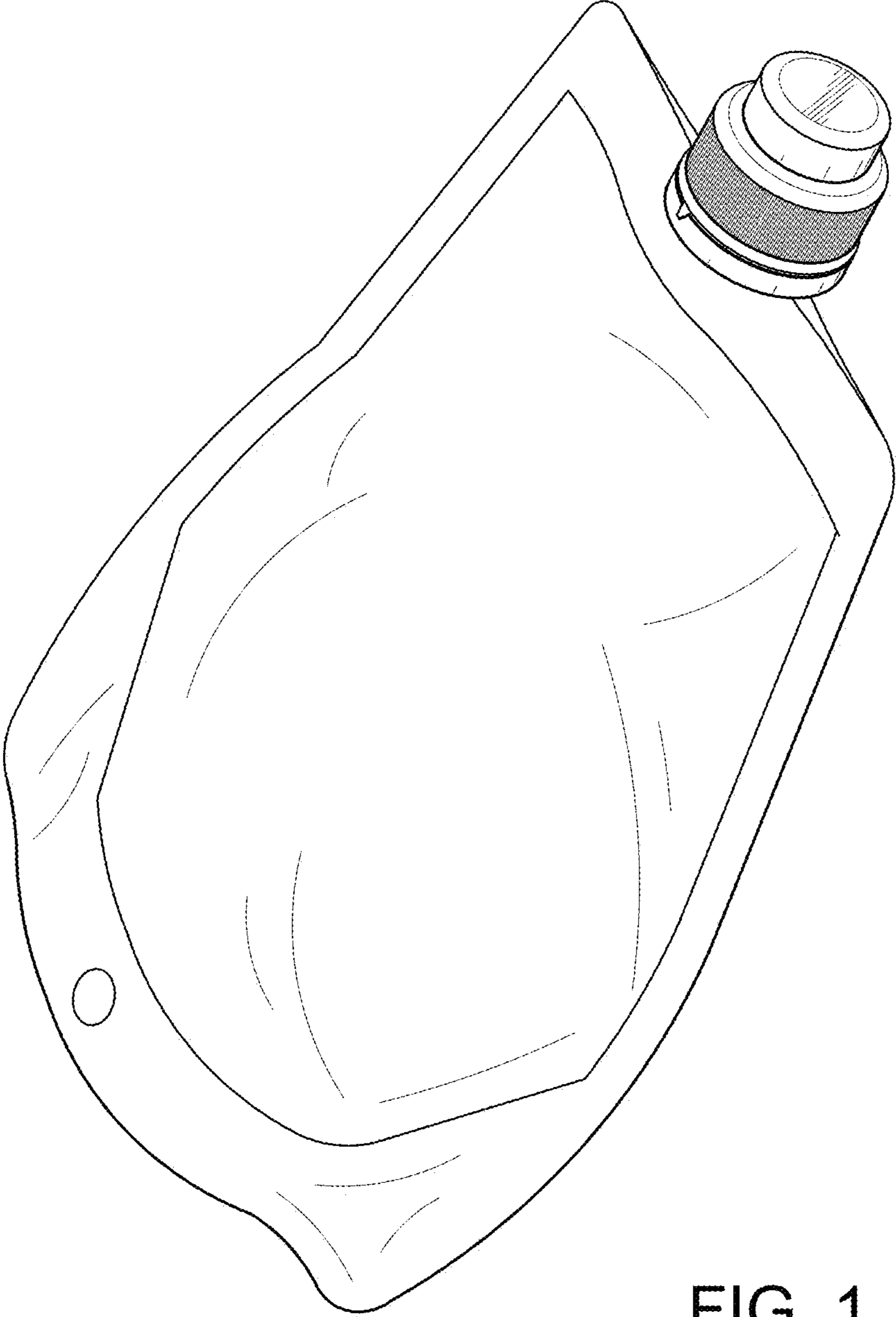


FIG. 1

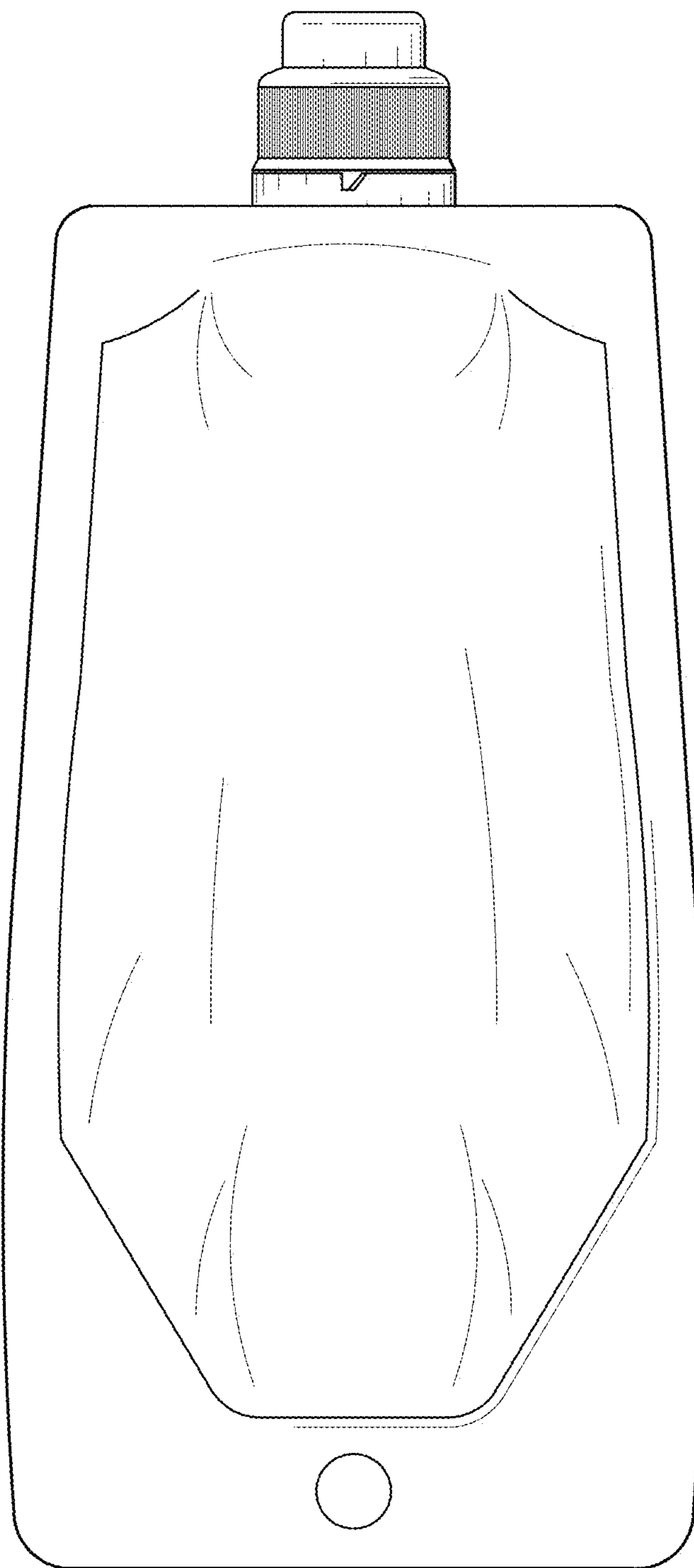


FIG. 2

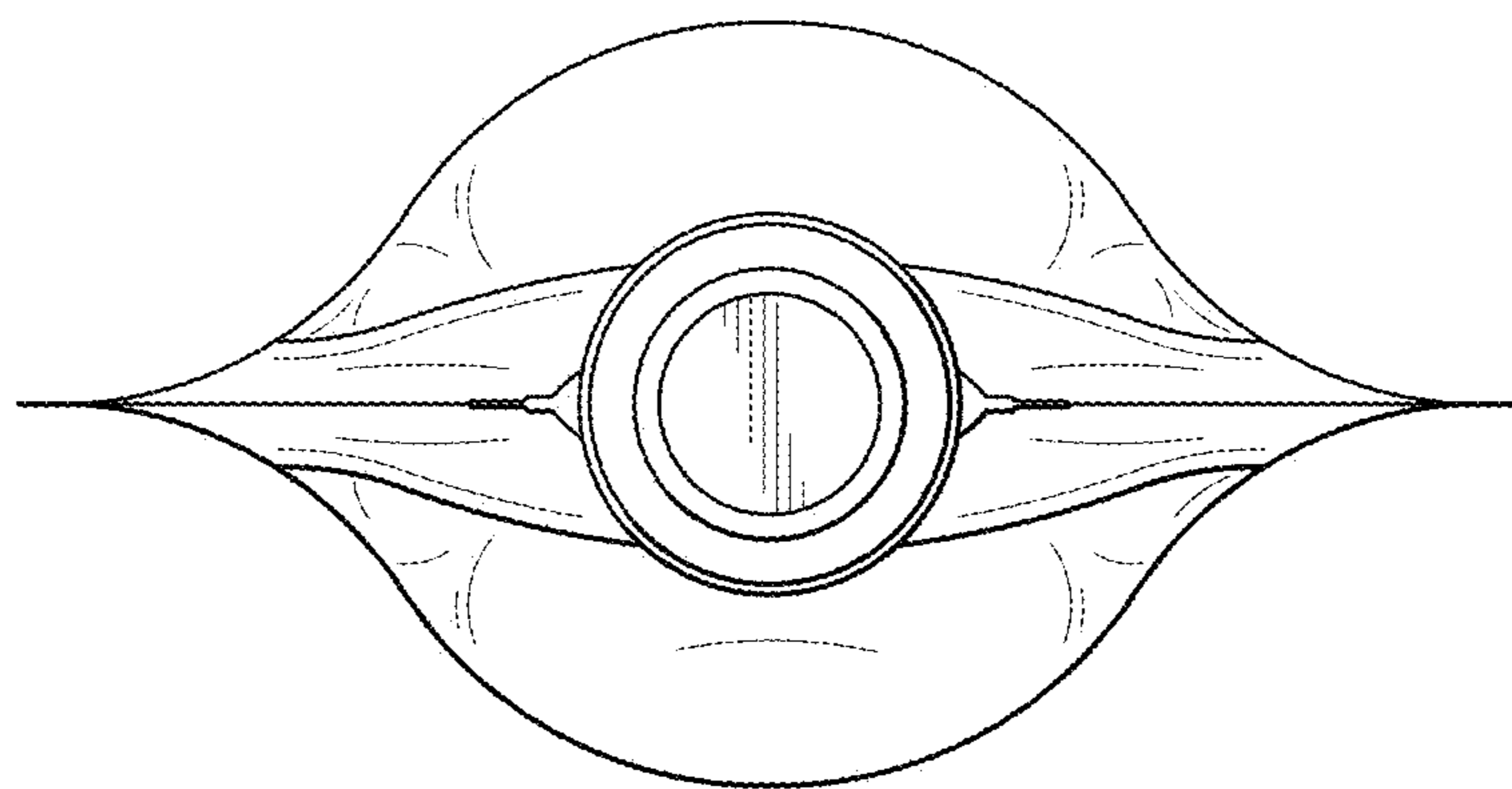


FIG. 3

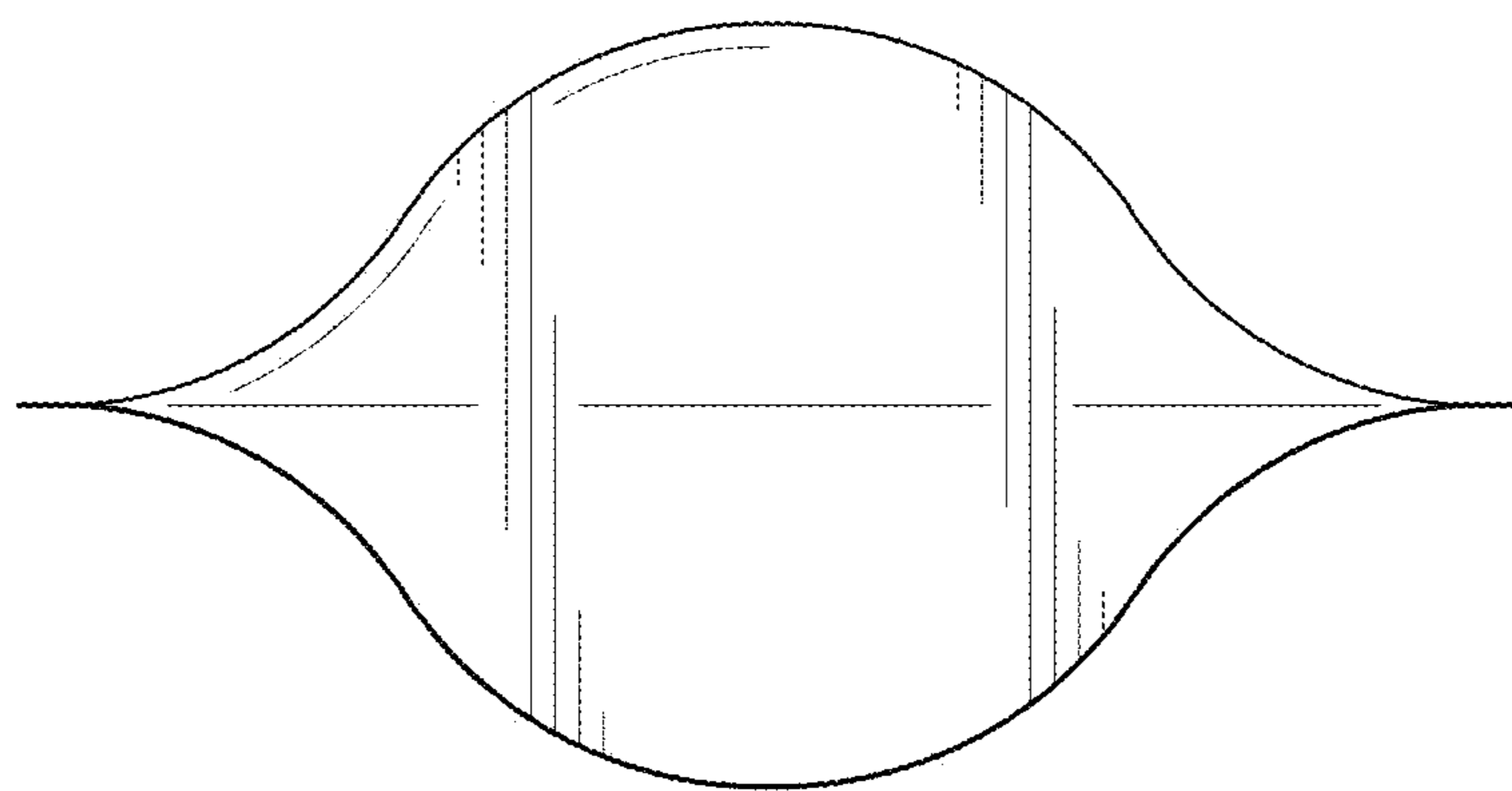


FIG. 4

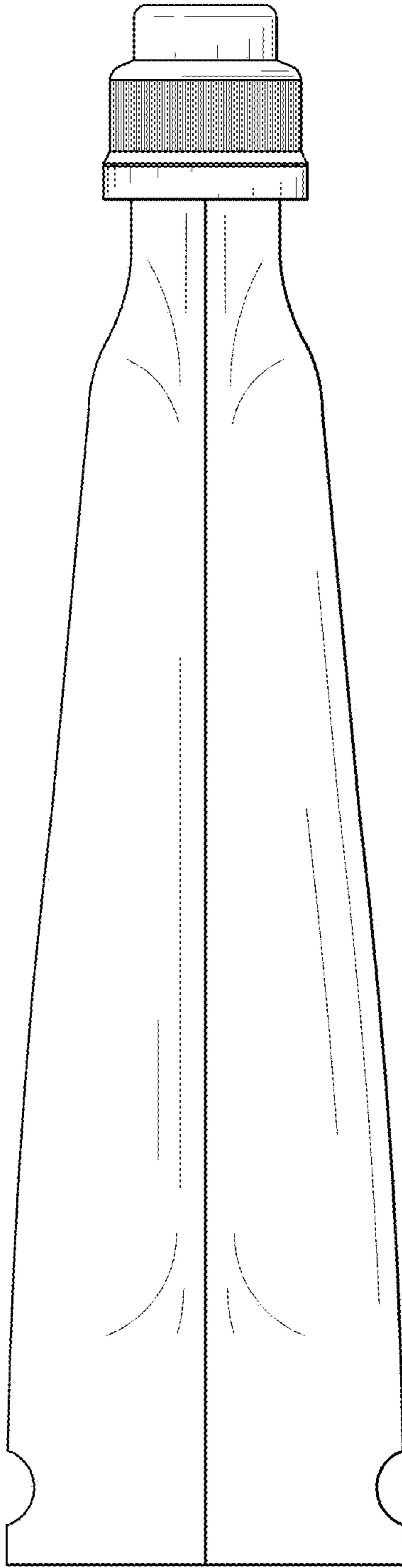


FIG. 5

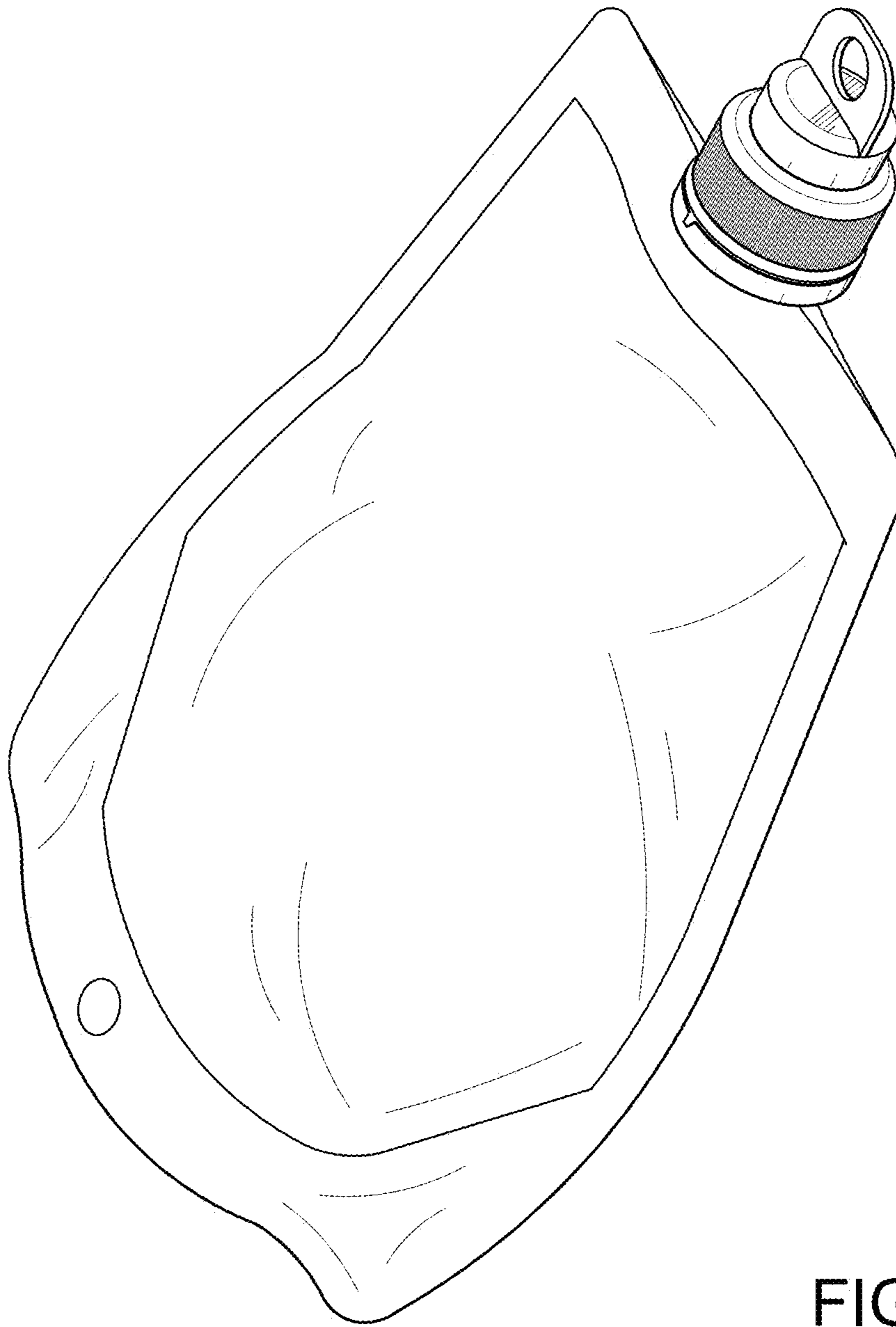


FIG. 6

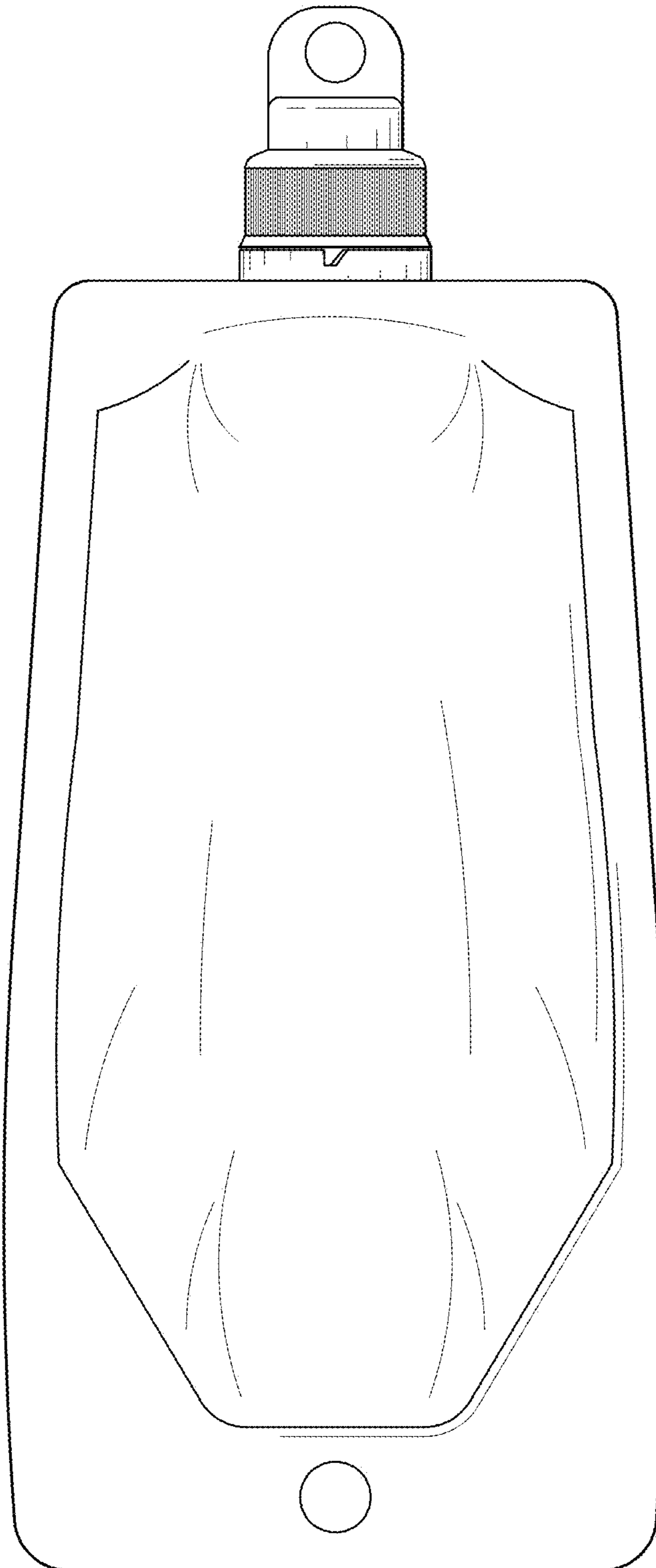


FIG. 7



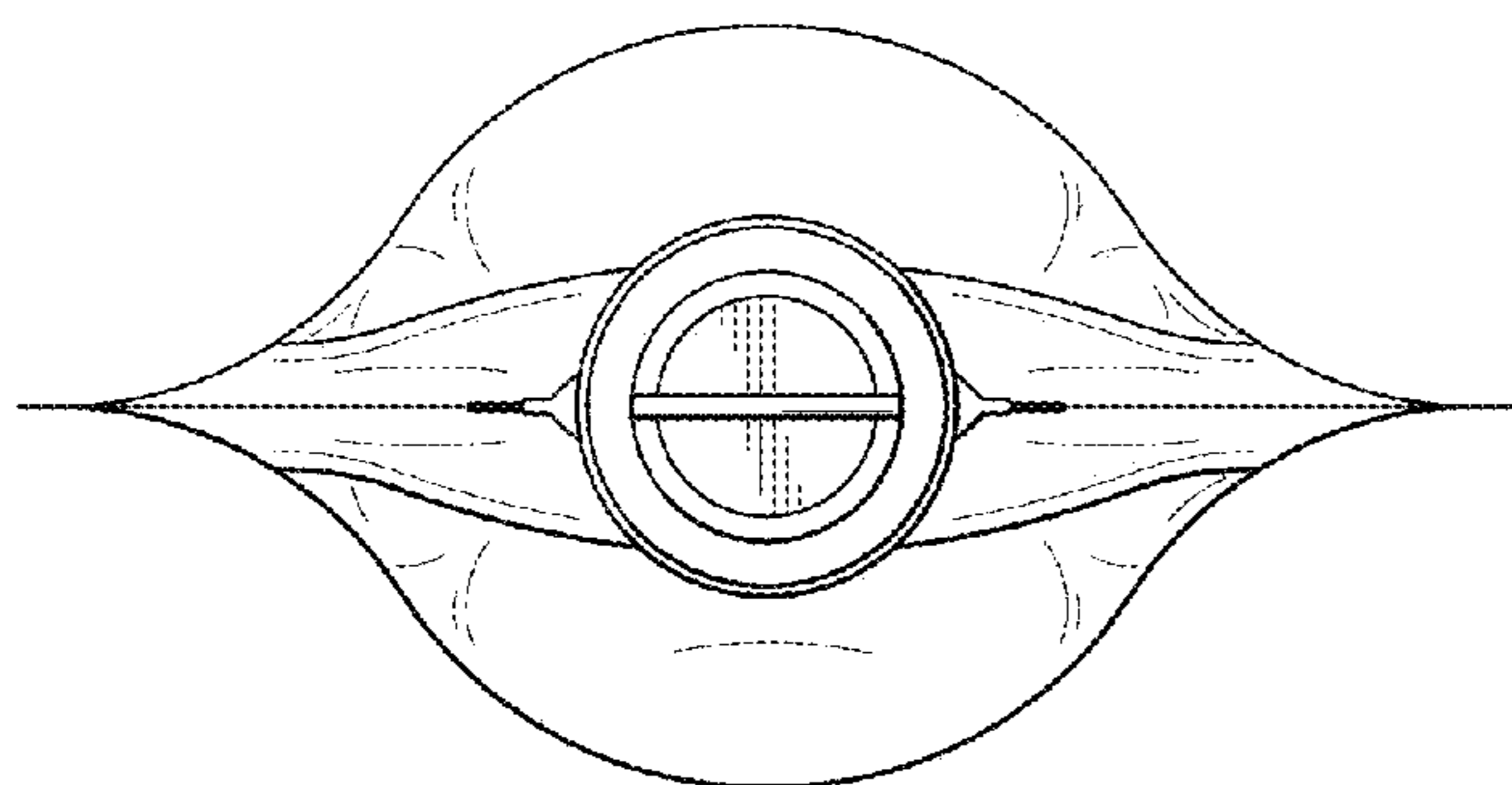


FIG. 8

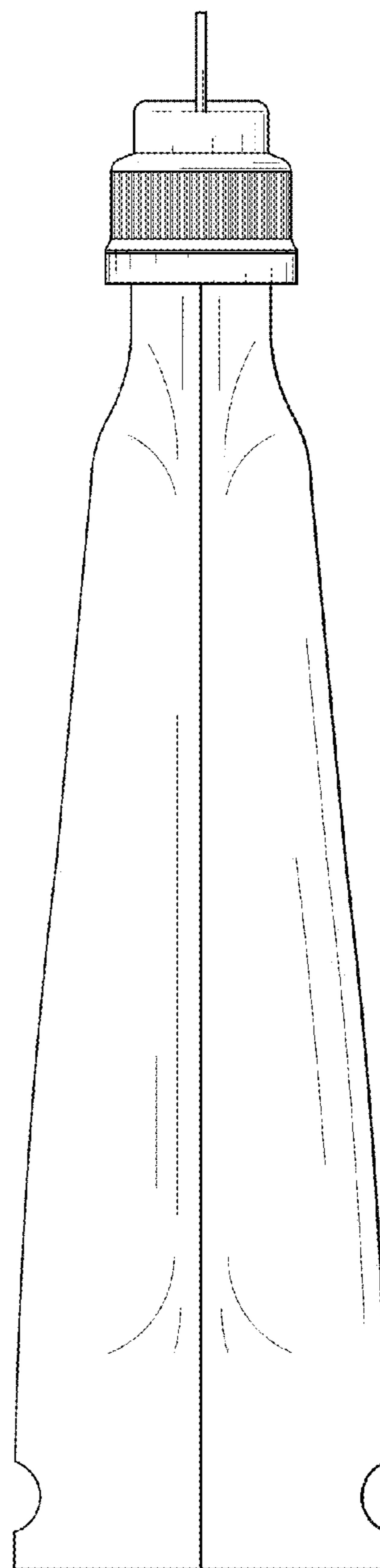


FIG. 9