



US00D724945S

(12) **United States Design Patent**
Davis et al.

(10) **Patent No.:** **US D724,945 S**
(45) **Date of Patent:** **** Mar. 24, 2015**

(54) **DOSING CAP**

(56)

References Cited

(71) Applicant: **The Procter & Gamble Company**,
Cincinnati, OH (US)
(72) Inventors: **William John Davis**, Bath (GB); **Raf**
Gustaaf Alfons Degeyter, Donk (BE);
David James McNeill, Bath (GB);
Pieter Paul Dirk Jenny Maria Van Den
Bergh, St. Martens Latem (BE)

U.S. PATENT DOCUMENTS

D285,515 S * 9/1986 Papciak D7/509
D435,759 S * 1/2001 Durbin et al. D7/396.2
D451,021 S * 11/2001 Berge et al. D9/445
D622,101 S * 8/2010 Tune D7/509
D667,300 S 9/2012 Davis et al.
D684,775 S * 6/2013 Floyd et al. D4/114
D689,364 S * 9/2013 Sanders D9/436
D689,664 S * 9/2013 Dietvorst et al. D32/75
D701,120 S * 3/2014 Sanders D9/436

(73) Assignee: **The Procter & Gamble Company**,
Cincinnati, OH (US)

FOREIGN PATENT DOCUMENTS

WO DM/082262 11/2013

(**) Term: **14 Years**

* cited by examiner

(21) Appl. No.: **29/473,624**

Primary Examiner — Robert M Spear

Assistant Examiner — Marissa J Cash

(22) Filed: **Nov. 25, 2013**

(74) *Attorney, Agent, or Firm* — Melissa G Krasovec

(30) **Foreign Application Priority Data**

(57) **CLAIM**

The ornamental design for a dosing cap or the like, as shown and described above.

May 29, 2013 (WO) 768773701

DESCRIPTION

(51) **LOC (10) Cl.** **09-07**

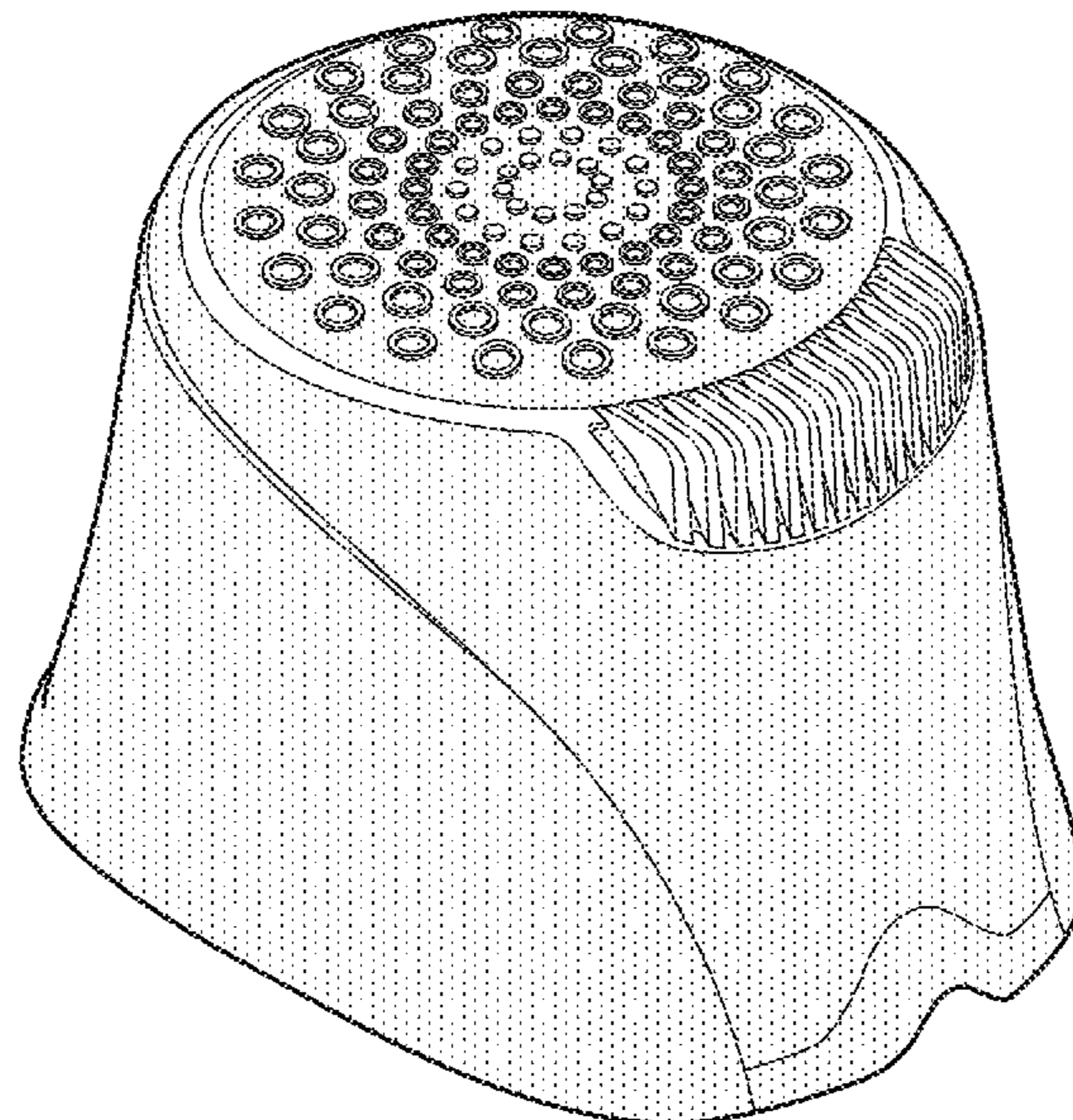
(52) **U.S. Cl.**
USPC **D9/447**

(58) **Field of Classification Search**
USPC D6/452-545; D7/300, 321, 392.1,
D7/396.2, 500, 507, 509, 510, 511, 900;
D9/434-448, 452-455, 682, 685, 694;
215/200, 235, 236, 252, 254, 329,
215/355-364; 220/203.04-203.07, 220,
220/254.1, 254.4, 556, 703, 704, 705

FIG. 1 is a perspective view of a dosing cap;
FIG. 2 is a left side view thereof;
FIG. 3 is a right side view thereof;
FIG. 4 is a front view thereof;
FIG. 5 is a rear view thereof;
FIG. 6 is a top plan view thereof; and,
FIG. 7 is a bottom view thereof.
The drawings are shaded to indicate contrasting surfaces and broken lines depict unclaimed subject matter and form no part of the claim.

See application file for complete search history.

1 Claim, 7 Drawing Sheets



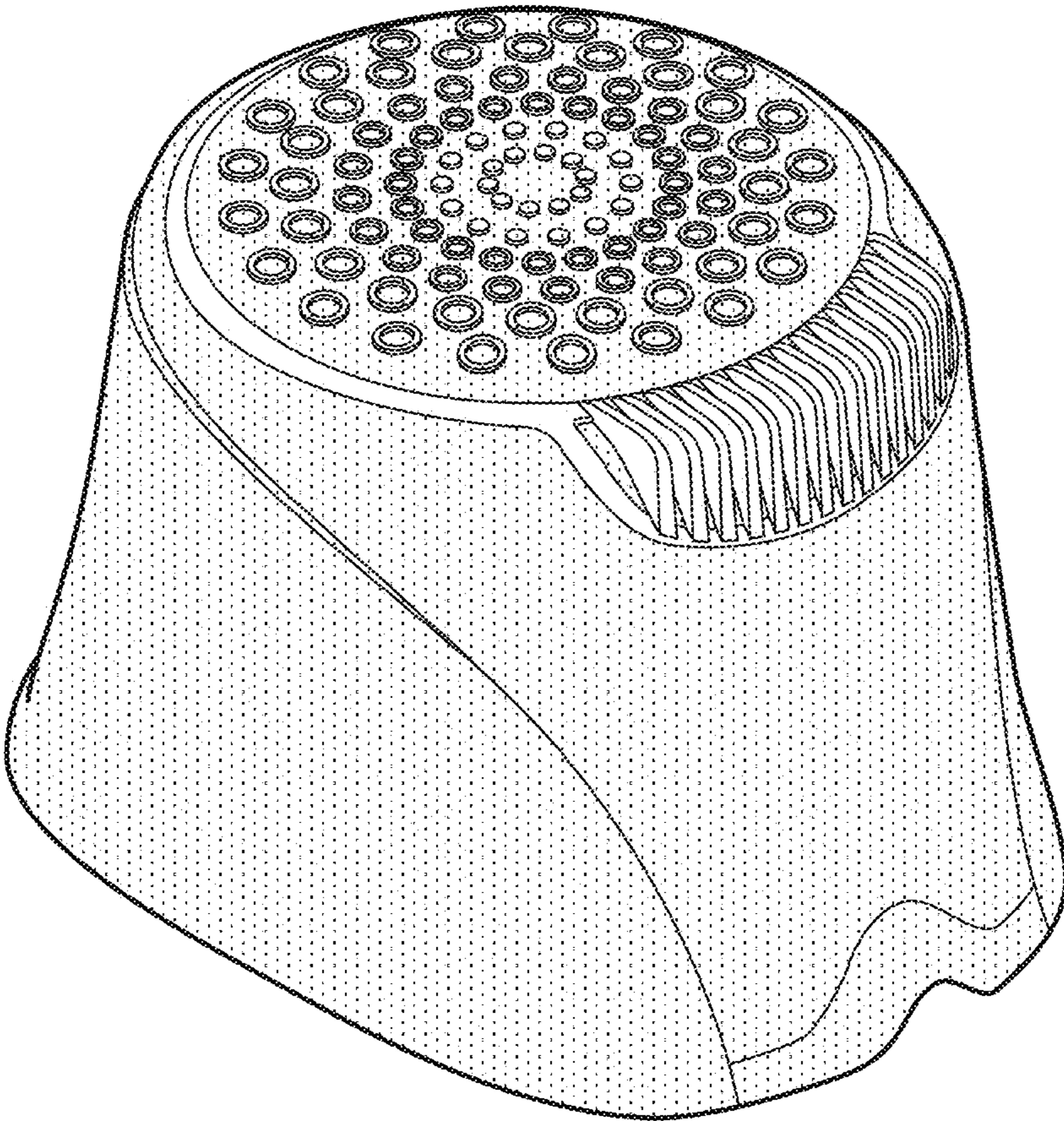


FIG. 1

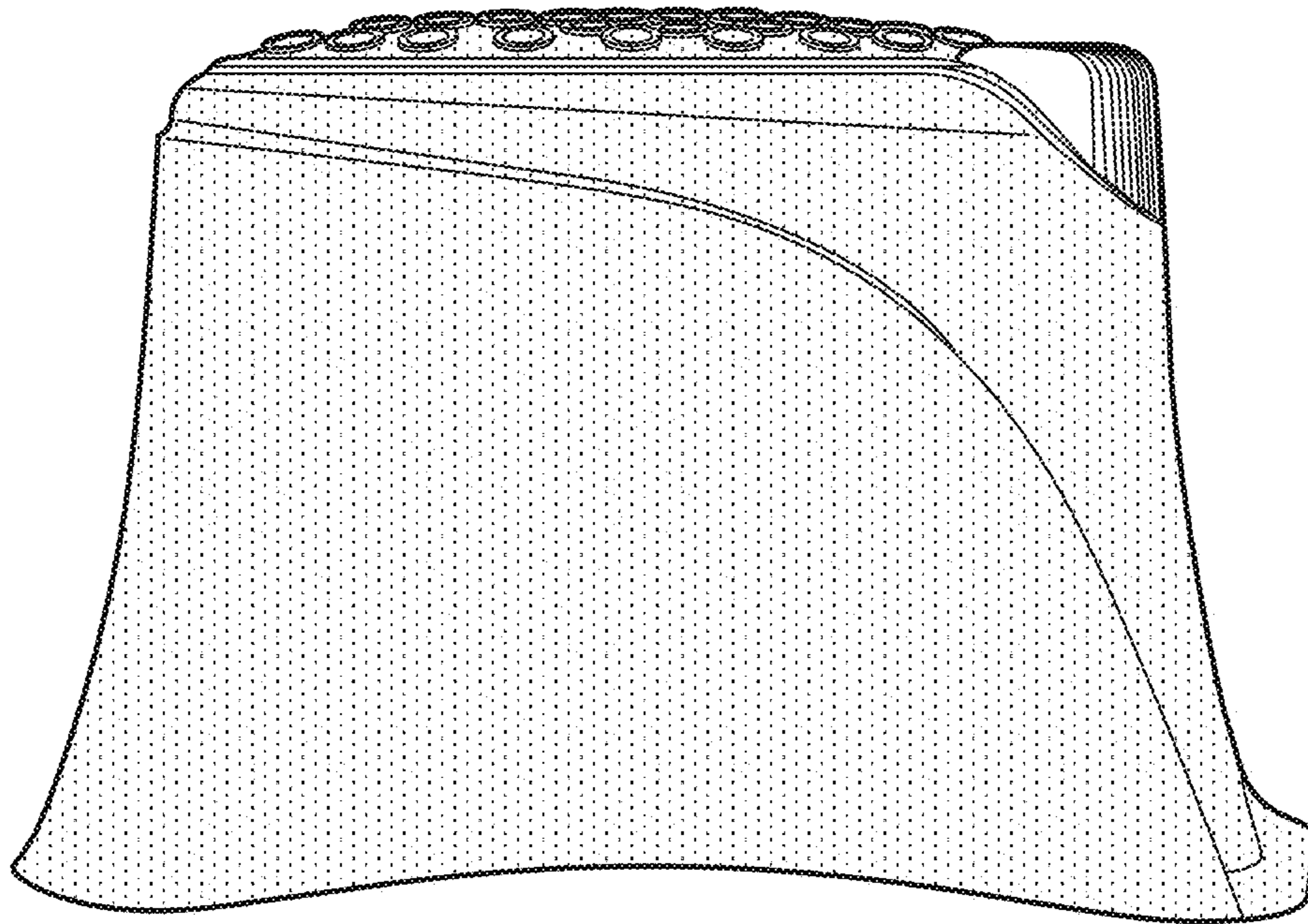


FIG. 2

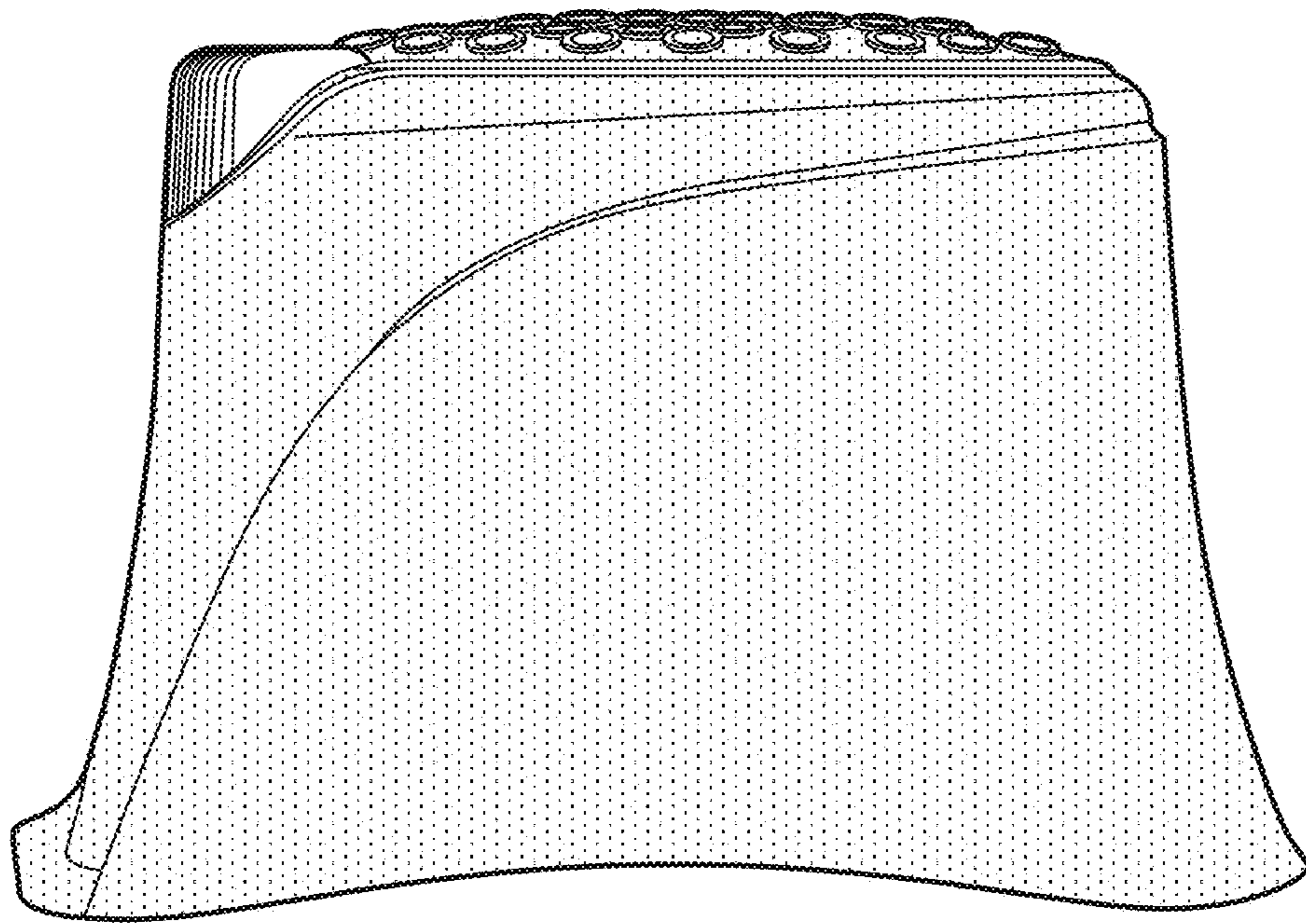


FIG. 3

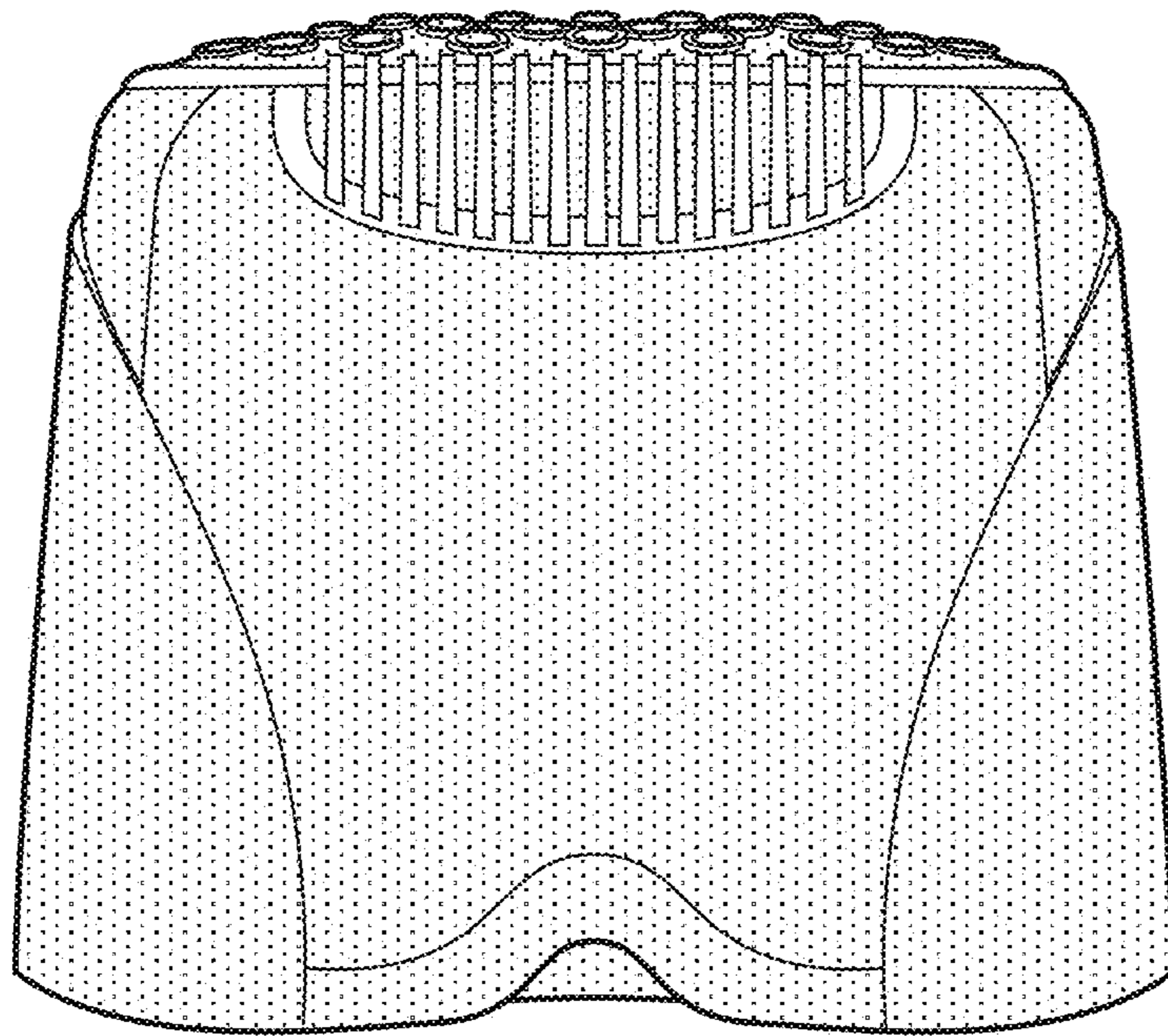


FIG. 4

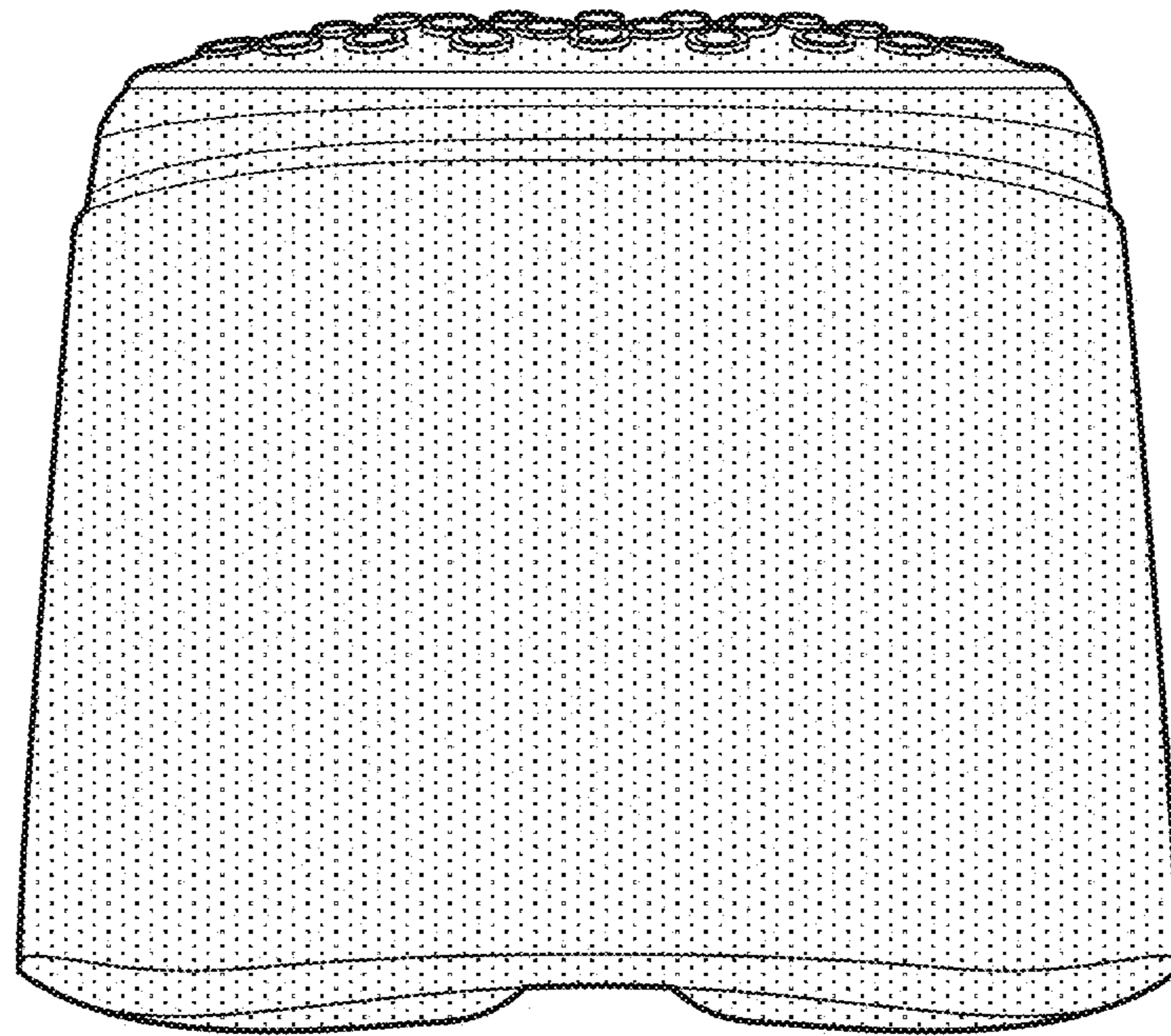


FIG. 5

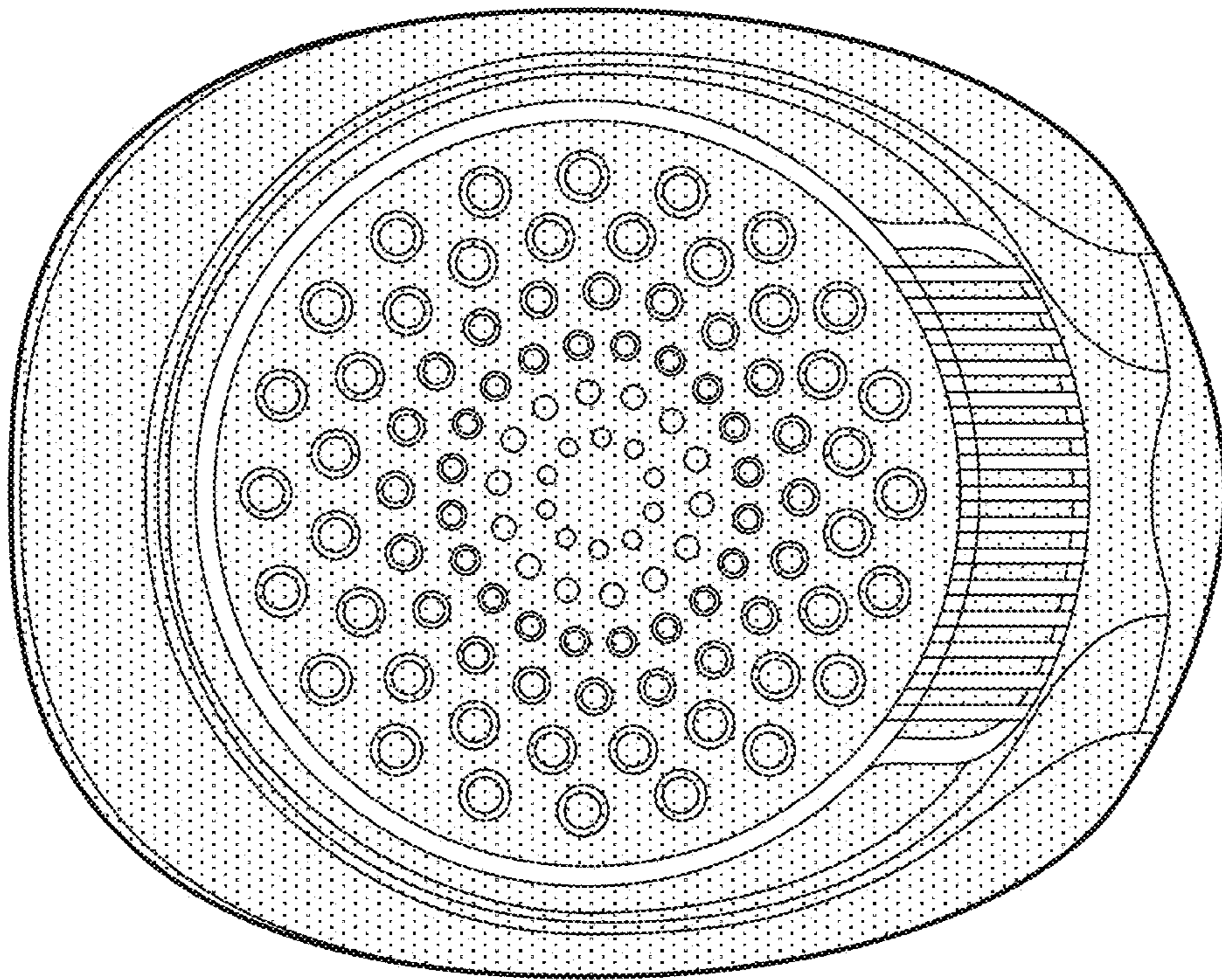


FIG. 6

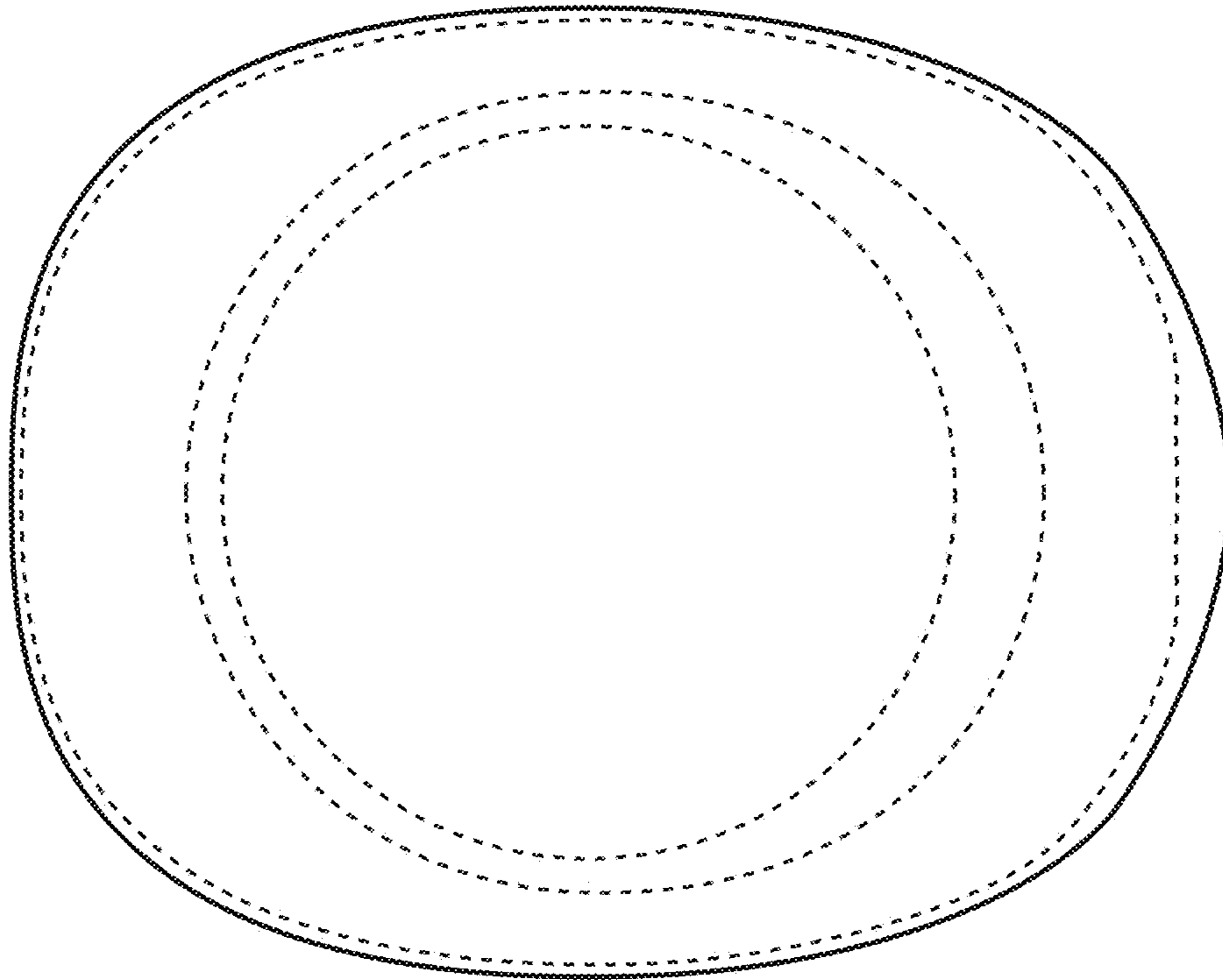


FIG. 7