



US00D724943S

(12) **United States Design Patent**
Epstein

(10) **Patent No.:** **US D724,943 S**

(45) **Date of Patent:** **** Mar. 24, 2015**

(54) **FITMENT**

(71) Applicant: **Steven Epstein**, Tenafly, NJ (US)

(72) Inventor: **Steven Epstein**, Tenafly, NJ (US)

(**) Term: **14 Years**

(21) Appl. No.: **29/482,256**

(22) Filed: **Feb. 17, 2014**

(51) **LOC (10) Cl.** **09-07**

(52) **U.S. Cl.**
USPC **D9/435**

(58) **Field of Classification Search**
CPC B65D 77/065
USPC D9/434, 435, 440, 445, 447, 449, 454,
D9/499, 695, 702, 703, 705, 707, 708, 711,
D9/712; 215/355, 380, 381; 220/669,
220/DIG. 7; 222/105, 536
See application file for complete search history.

(56) **References Cited**

U.S. PATENT DOCUMENTS

1,575,231	A *	3/1926	Seltmann	222/105
1,830,769	A *	11/1931	Rothermel	248/154
D146,713	S *	4/1947	Genske	D9/545
D353,695	S *	12/1994	Turner	D34/5
D361,632	S *	8/1995	Ratia	D26/10
5,505,337	A *	4/1996	Littman et al.	222/92
D448,978	S *	10/2001	Isbell	D7/619.1
D452,089	S *	12/2001	Fritz	D6/458
D489,979	S *	5/2004	Le Bourg	D9/444
D573,810	S *	7/2008	Huang	D6/462

D642,932	S *	8/2011	Nickel et al.	D9/699
D676,716	S *	2/2013	Lalo	D7/619.1
D676,744	S *	2/2013	Nickel et al.	D9/435
D680,430	S *	4/2013	Nickel et al.	D9/436

* cited by examiner

Primary Examiner — Robert M Spear

(74) *Attorney, Agent, or Firm* — Winthrop & Weinstine, P.A.

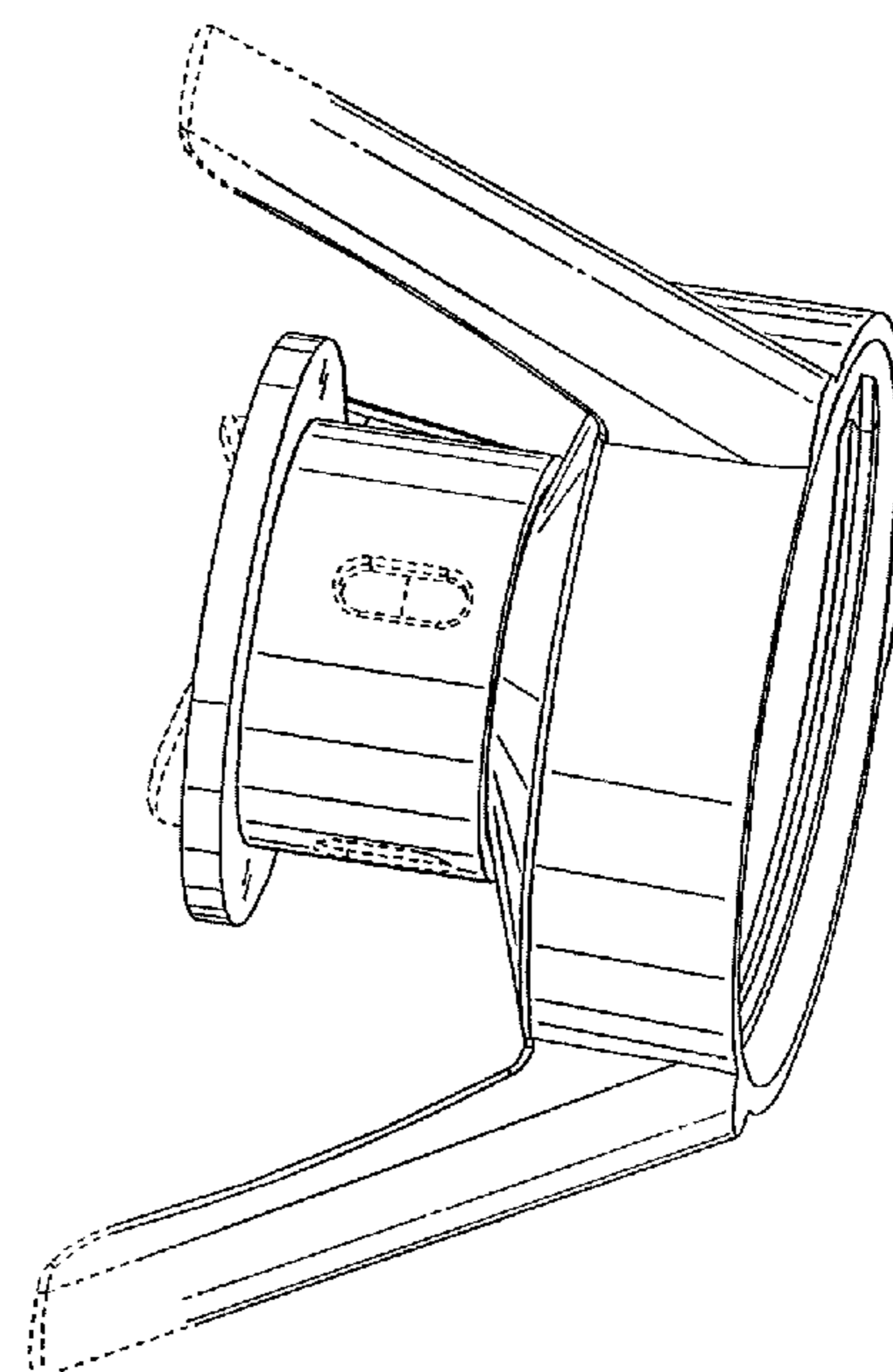
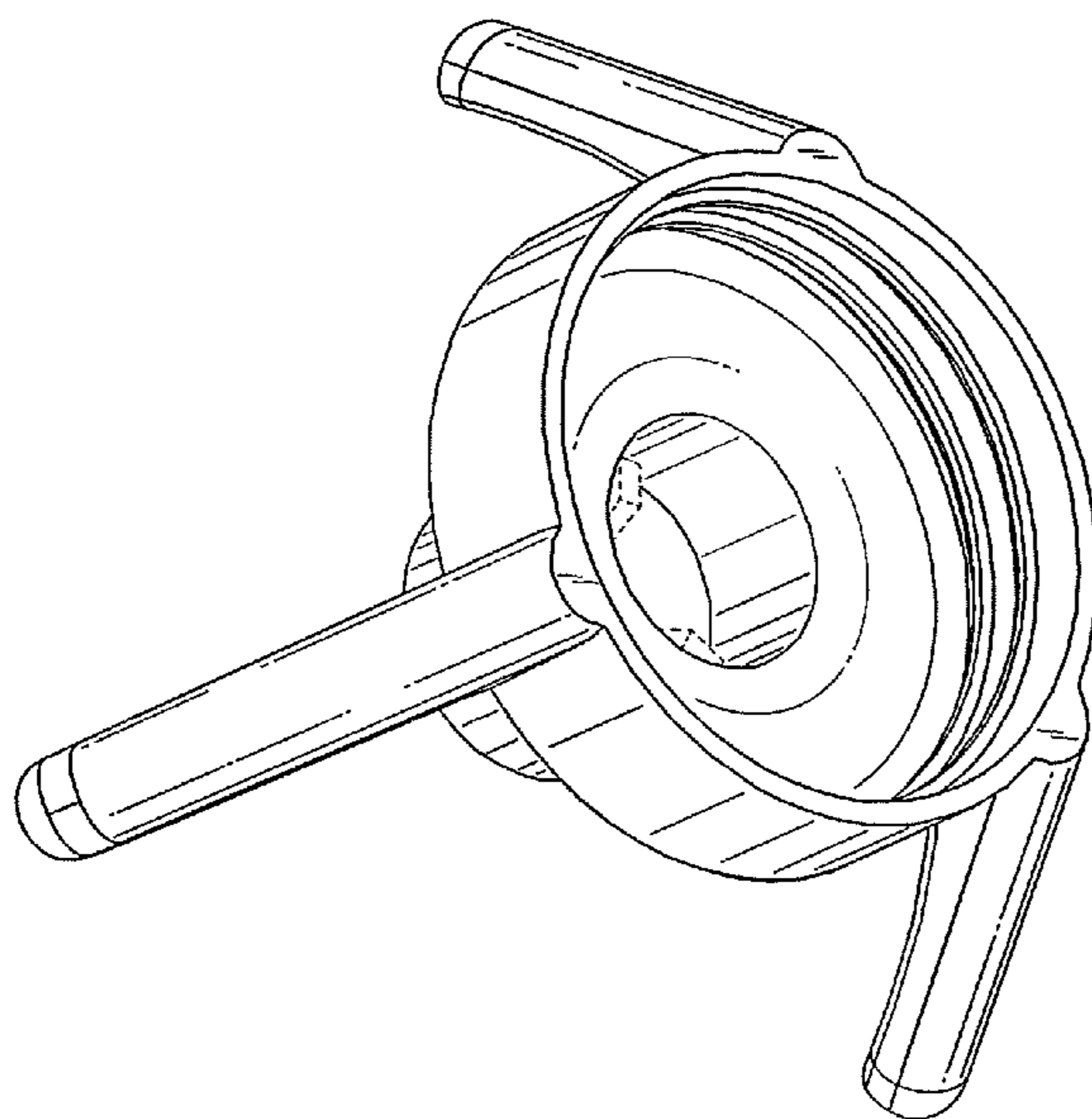
(57) **CLAIM**

The ornamental design for a fitment, as shown and described.

DESCRIPTION

FIG. 1 is a perspective bottom view of a fitment;
 FIG. 2 is a bottom view of the fitment of FIG. 1;
 FIG. 3 is a side view of the fitment of FIG. 1;
 FIG. 4 is a top view of the fitment of FIG. 1;
 FIG. 5 is a perspective view of a fitment;
 FIG. 6 is a bottom view of the fitment of FIG. 5;
 FIG. 7 is a side view of the fitment of FIG. 5;
 FIG. 8 is a side view of the fitment of FIG. 5;
 FIG. 9 is a top view of the fitment of FIG. 5;
 FIG. 10 is a perspective bottom view of fitment, according to some embodiments;
 FIG. 11 is a perspective top view of the fitment of FIG. 10;
 FIG. 12 is a side view of the fitment of FIG. 10;
 FIG. 13 is a side view of the fitment of FIG. 10;
 FIG. 14 is a side view of the fitment of FIG. 10;
 FIG. 15 is a side view of the fitment of FIG. 10;
 FIG. 16 is a bottom view of the fitment of FIG. 10; and,
 FIG. 17 is a top view of the fitment of FIG. 10.
 The broken lines in the drawings represent unclaimed environmental subject matter and form no part of the claim.

1 Claim, 12 Drawing Sheets



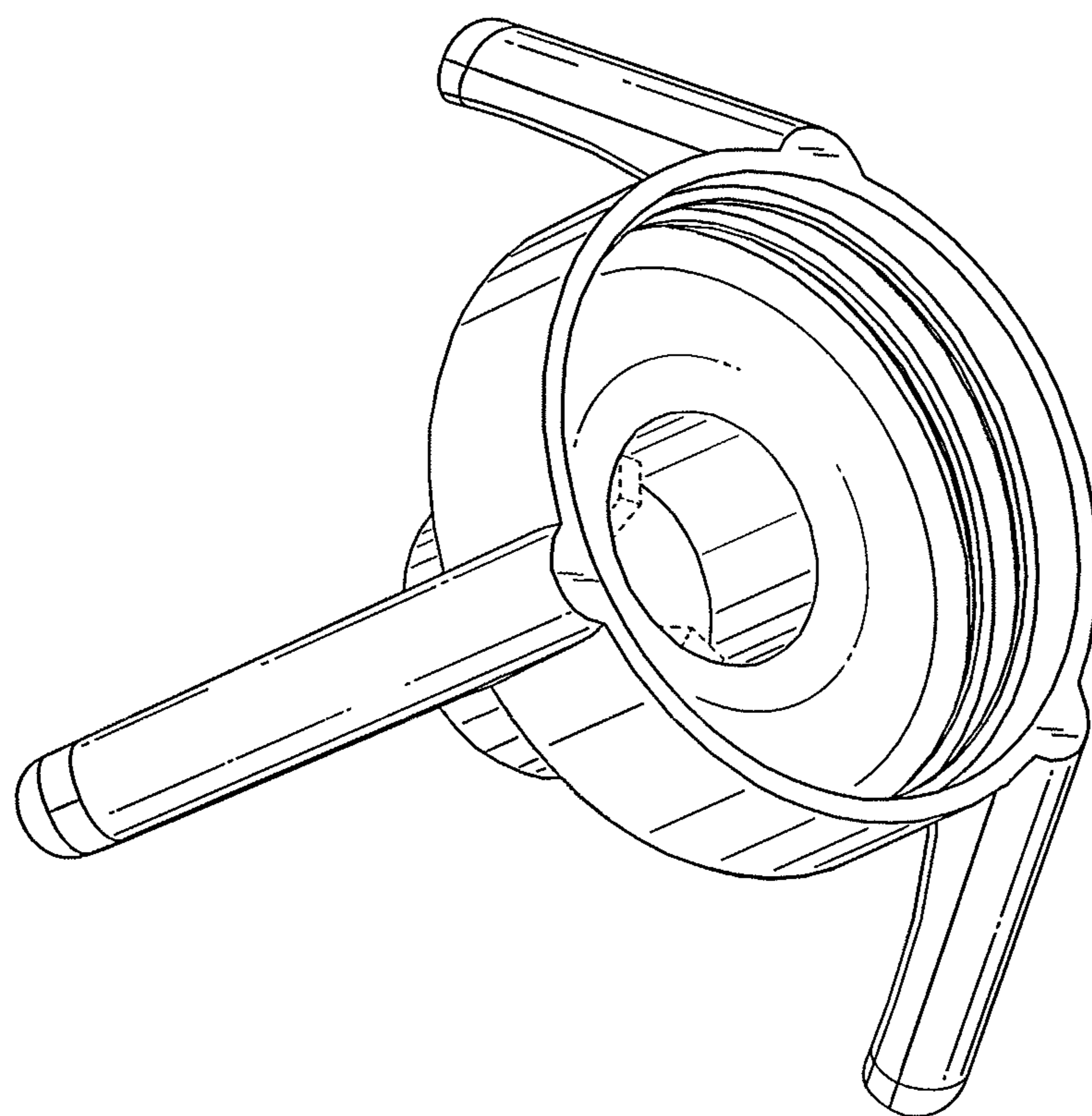


FIG. 1

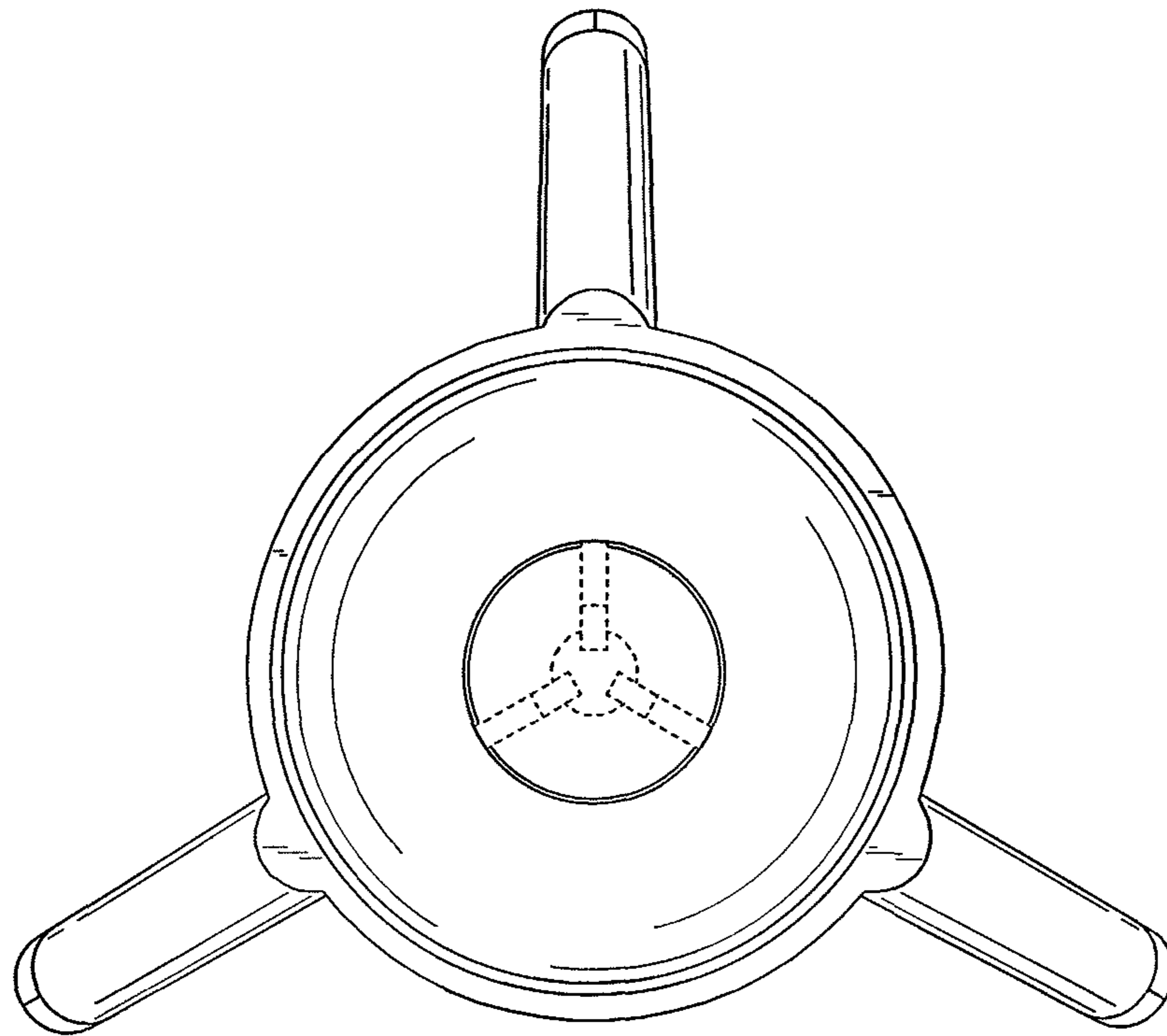


FIG. 2

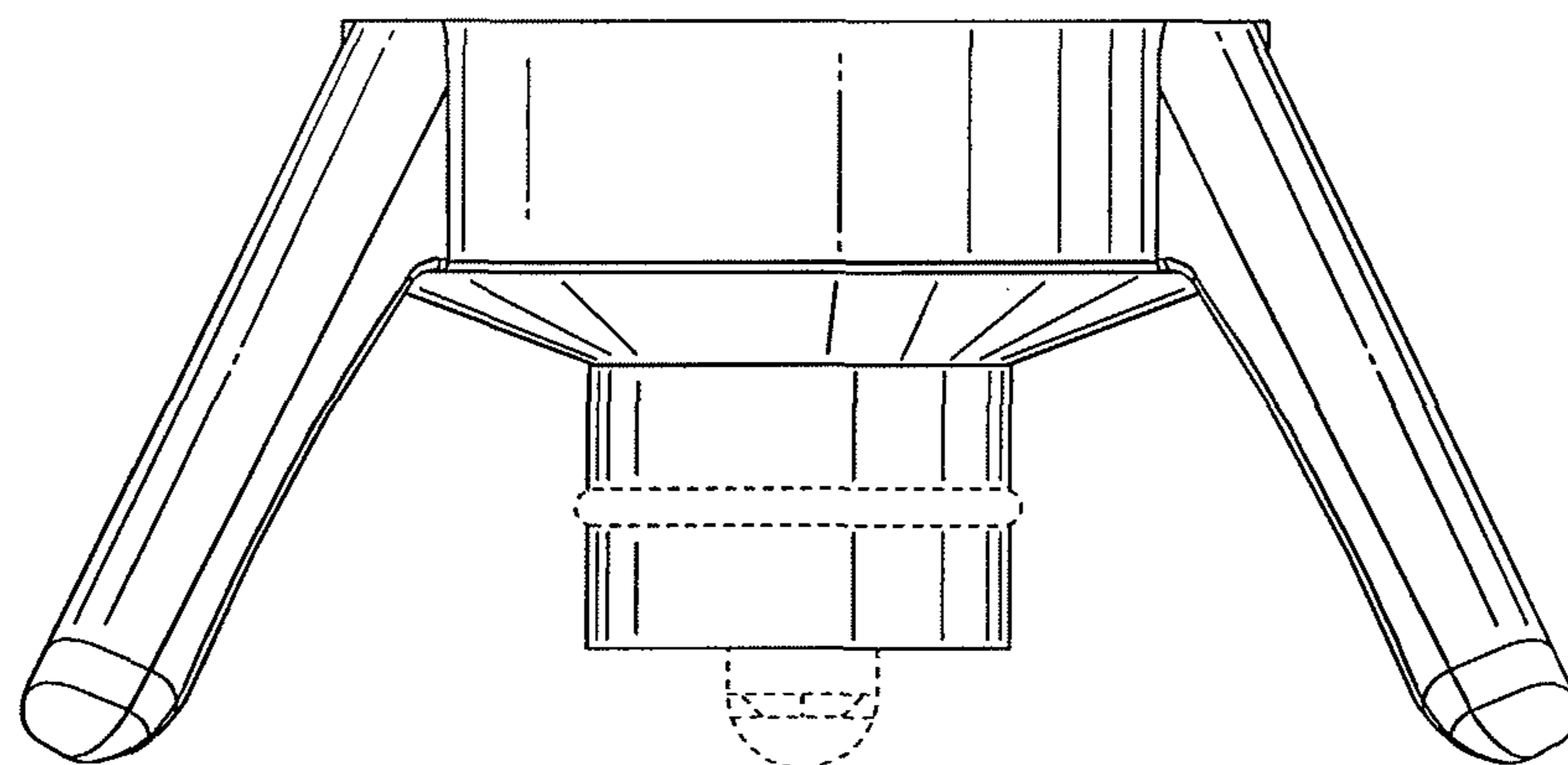


FIG. 3

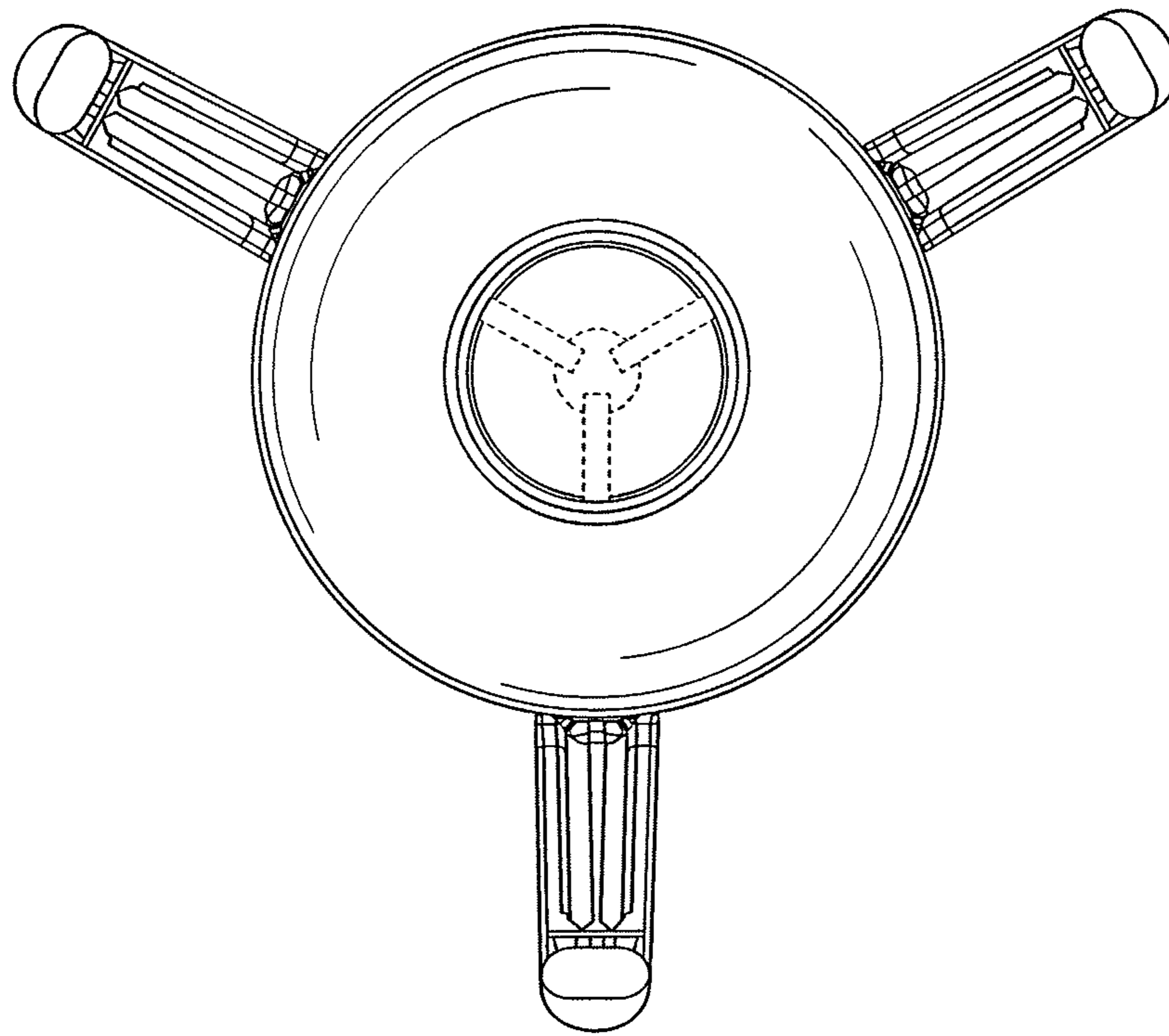


FIG. 4

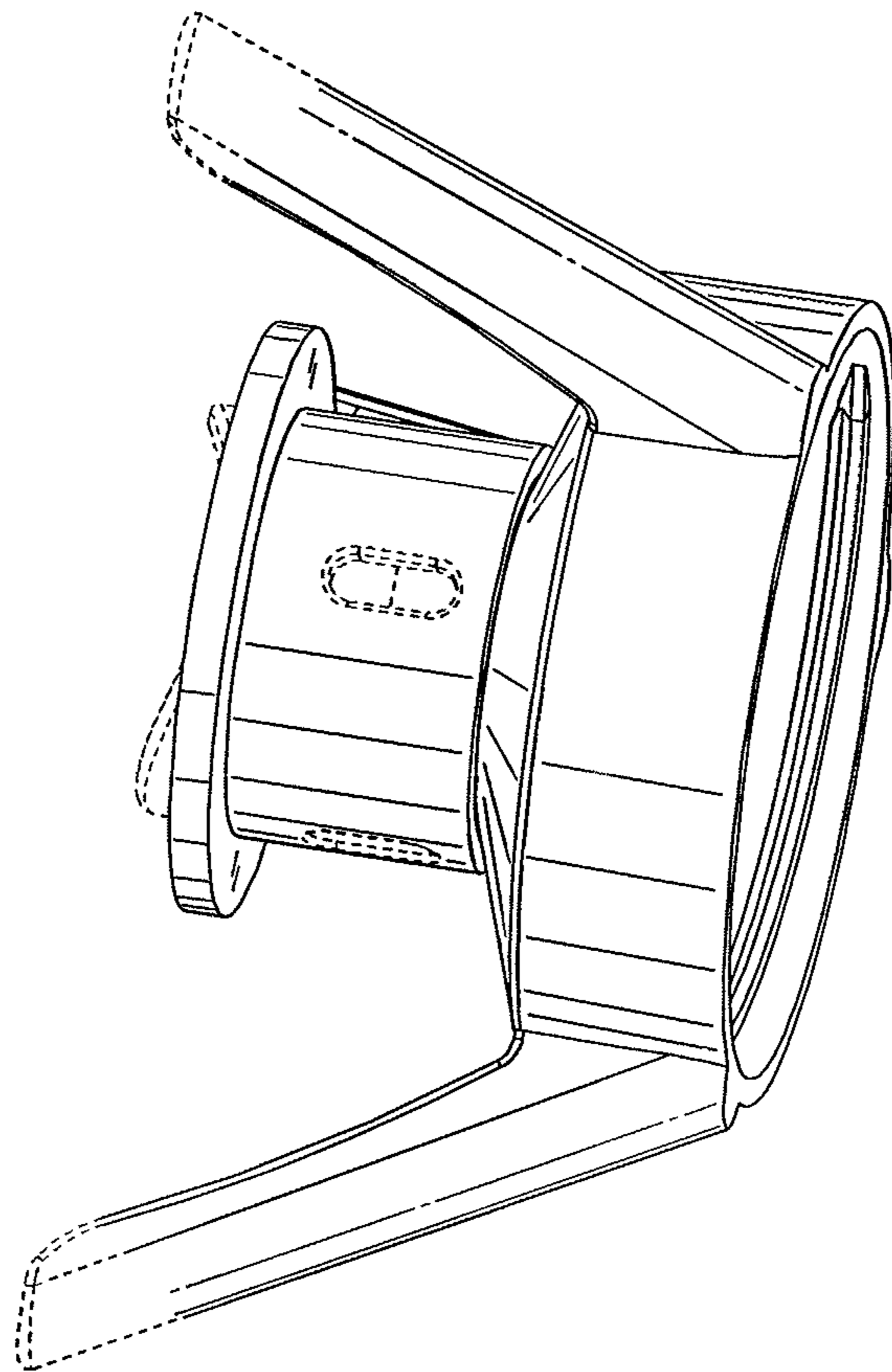


FIG. 5

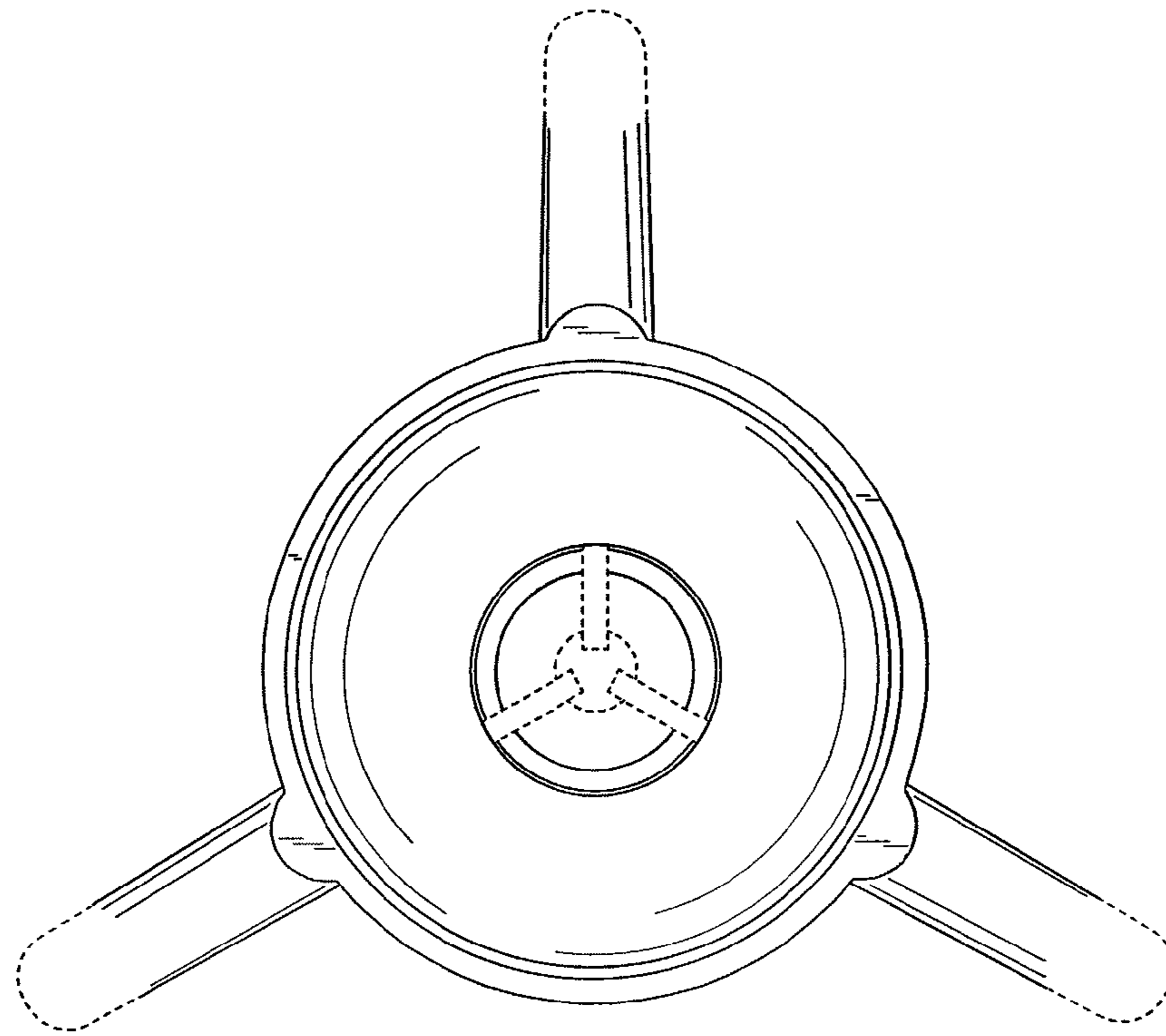


FIG. 6

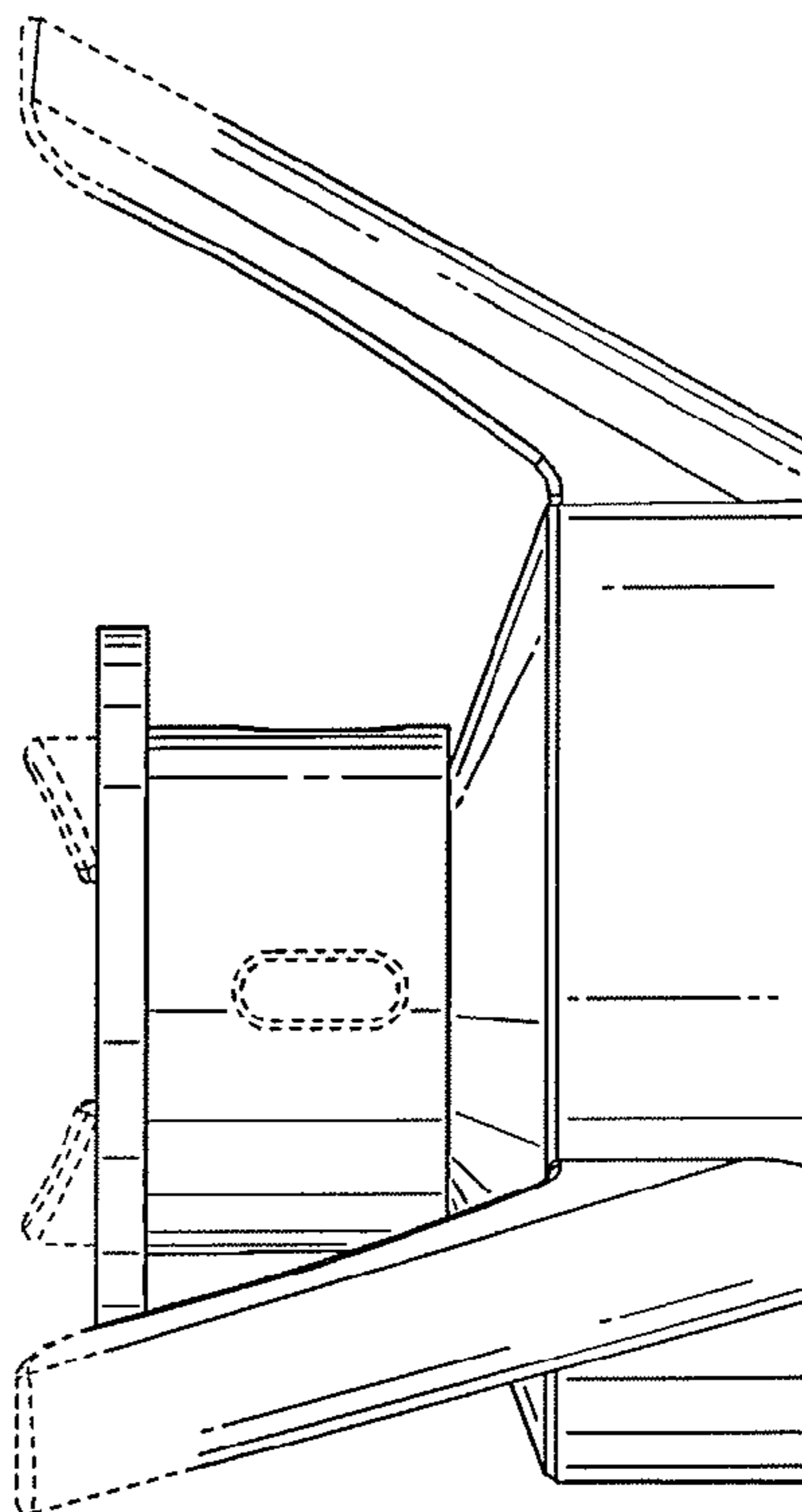


FIG. 7

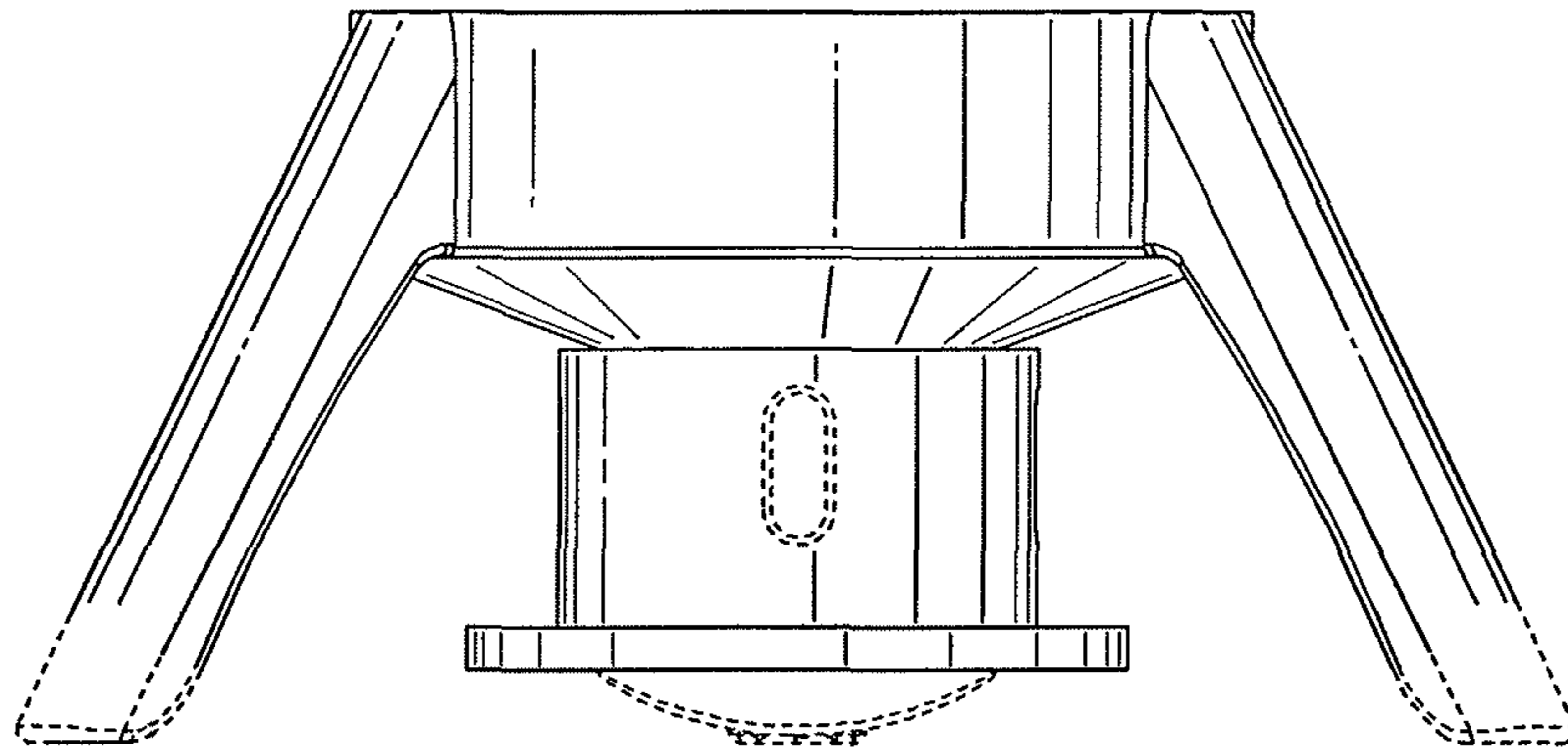


FIG. 8

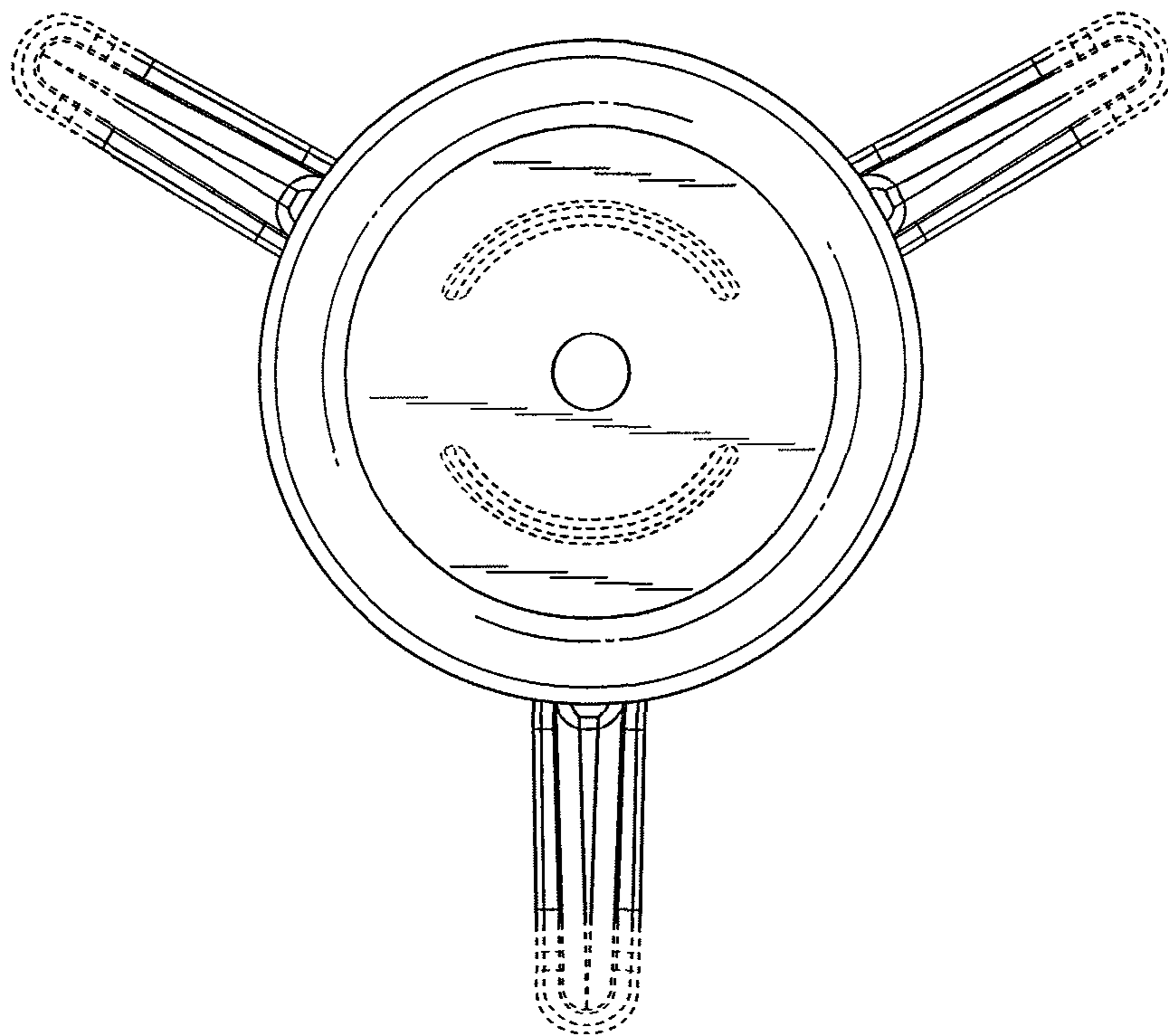


FIG. 9

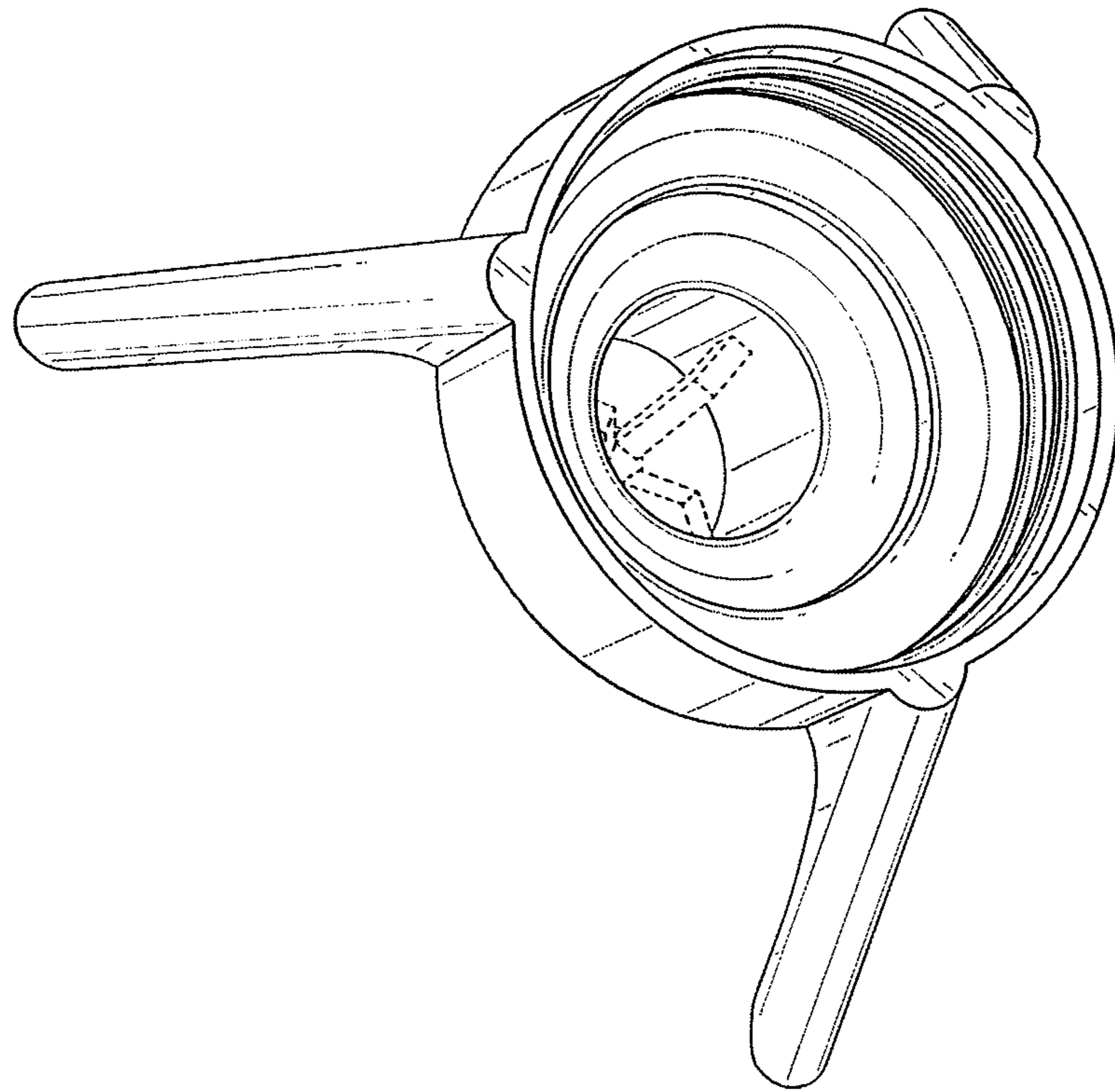


FIG. 10

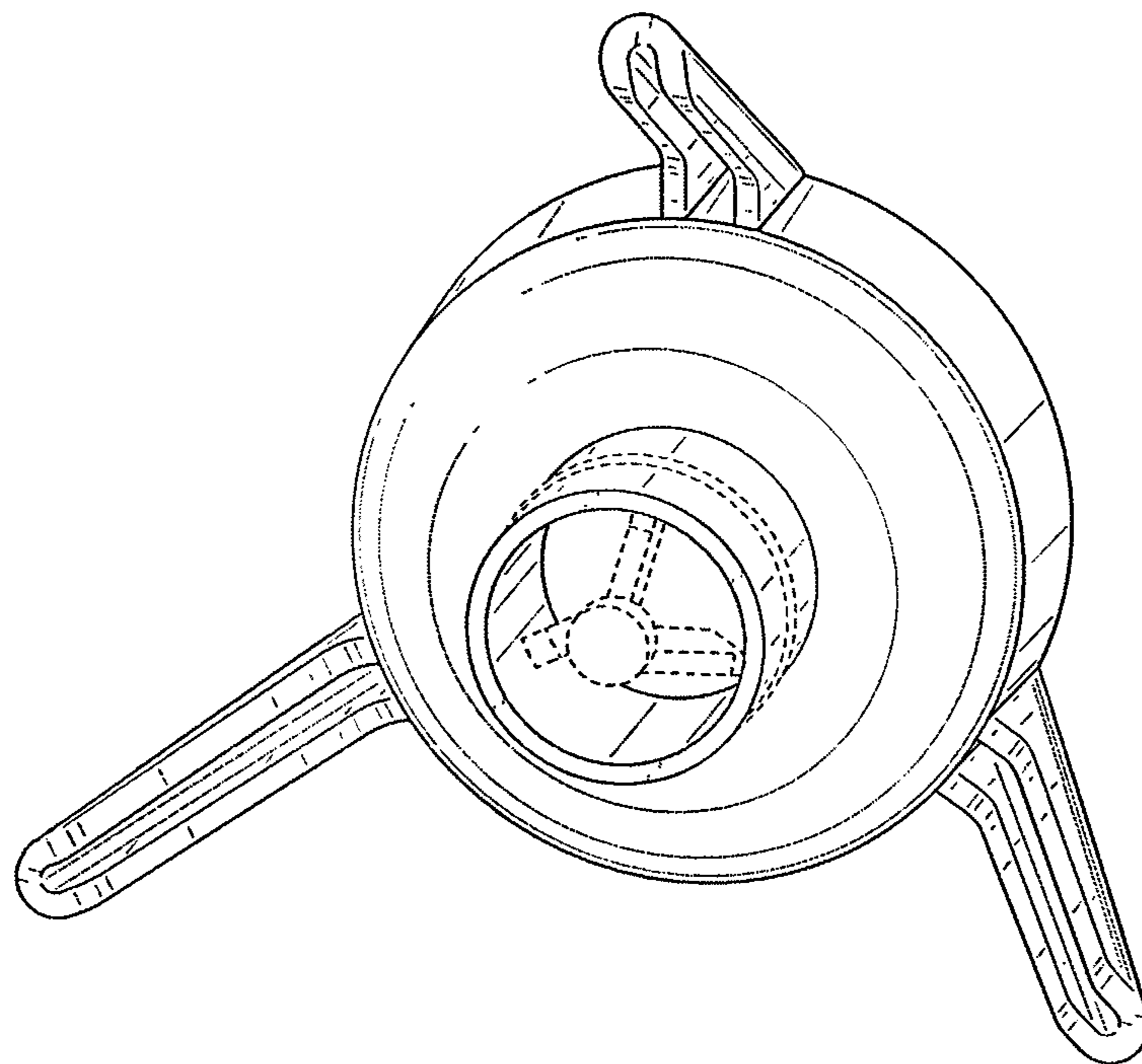


FIG. 11

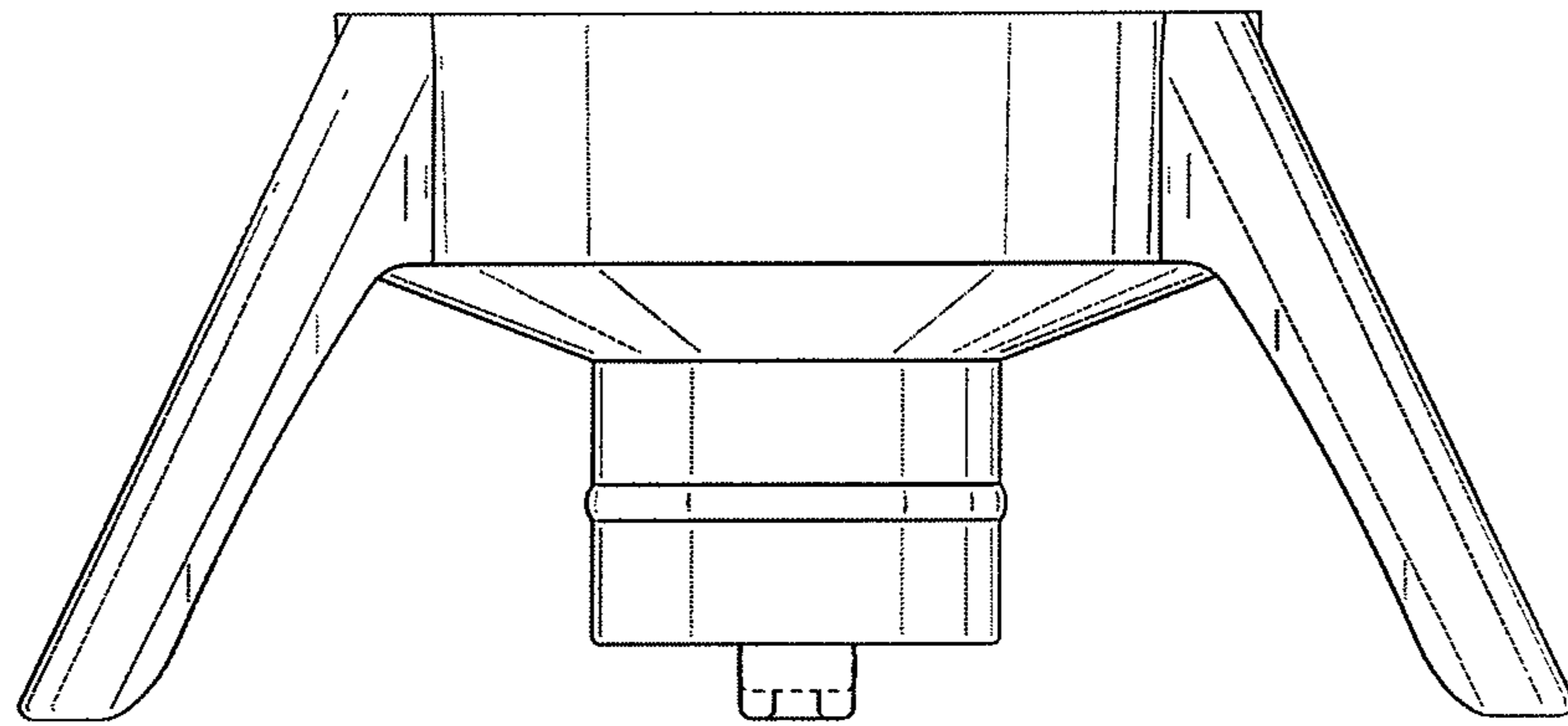


FIG. 12

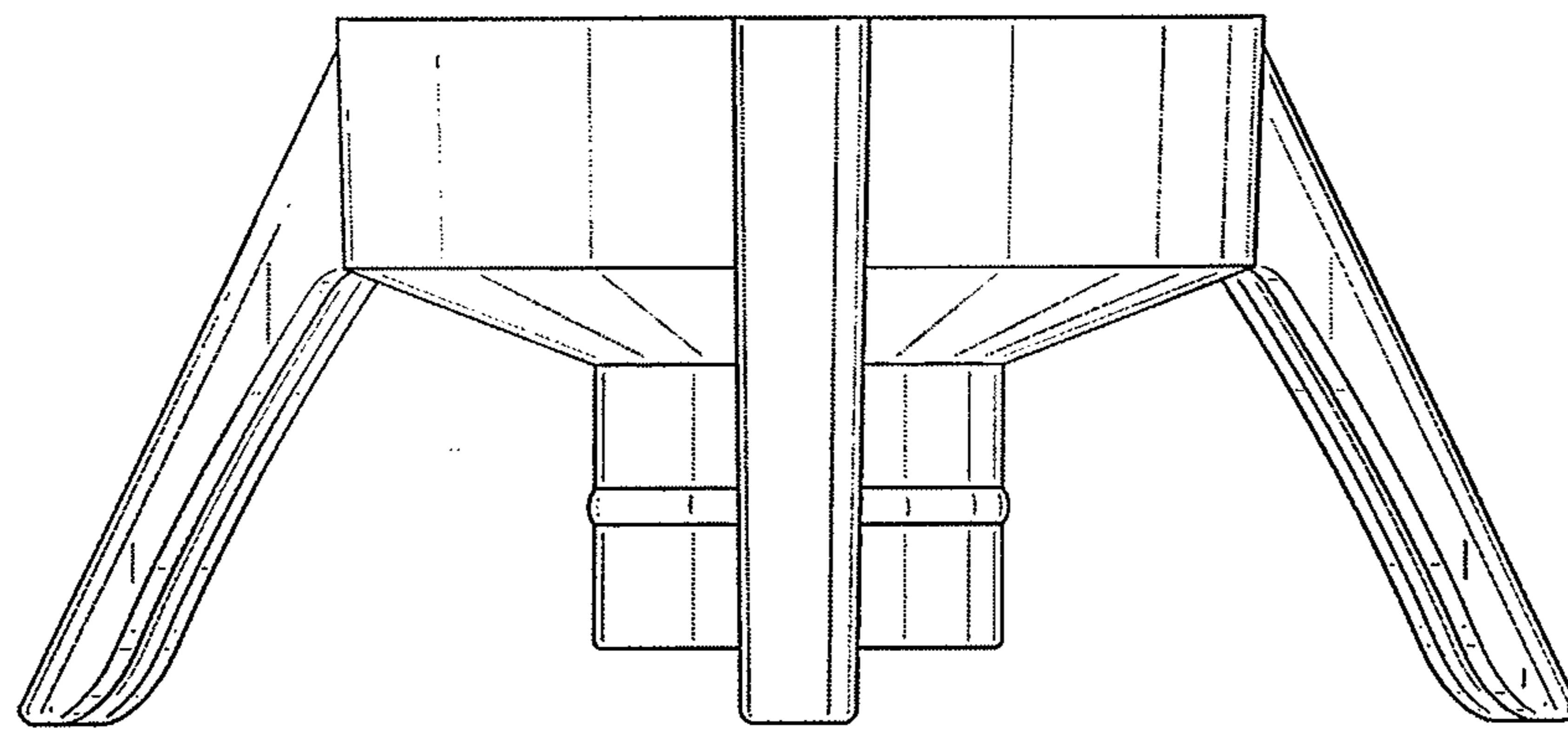


FIG. 13

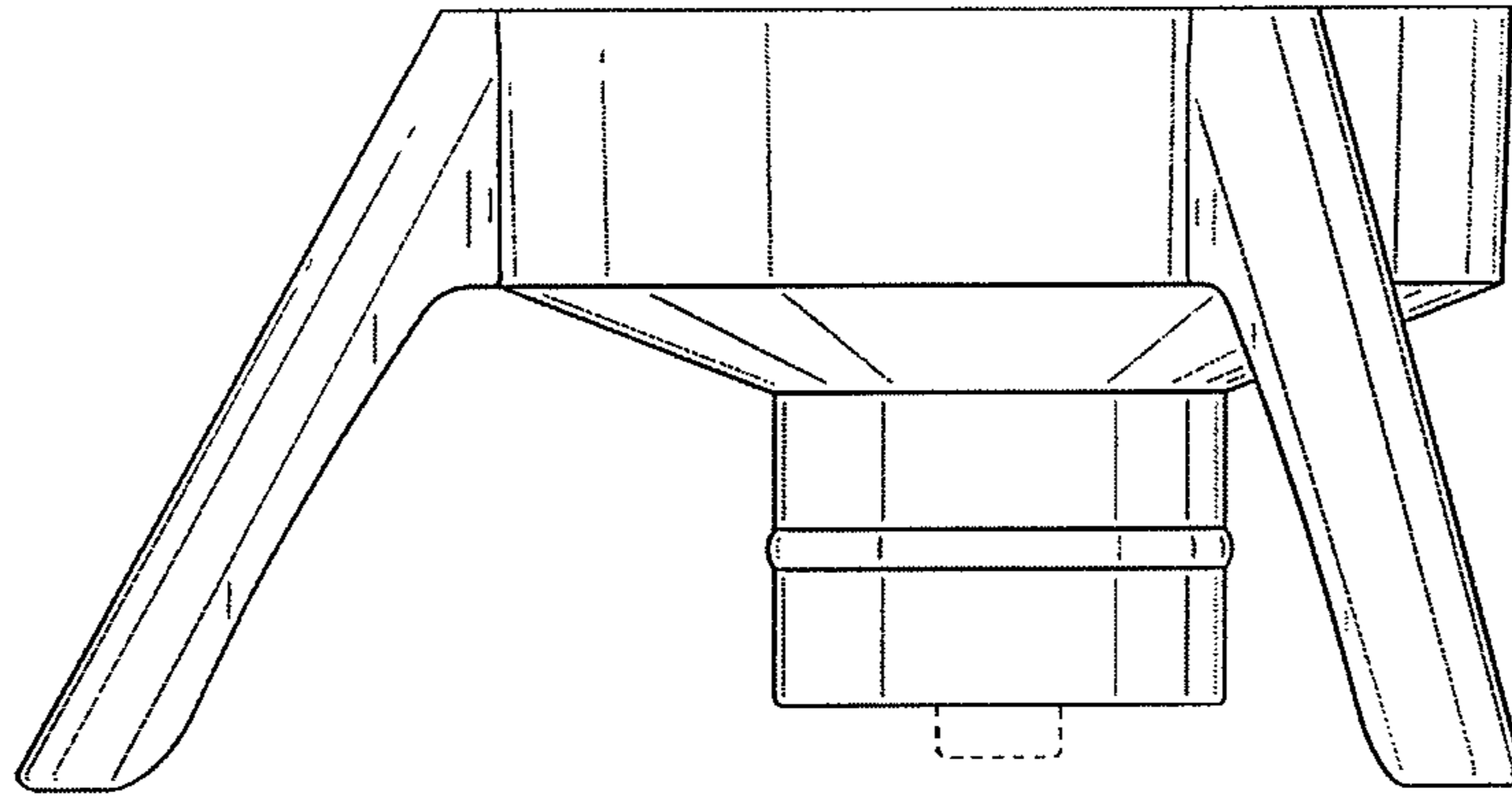


FIG. 14

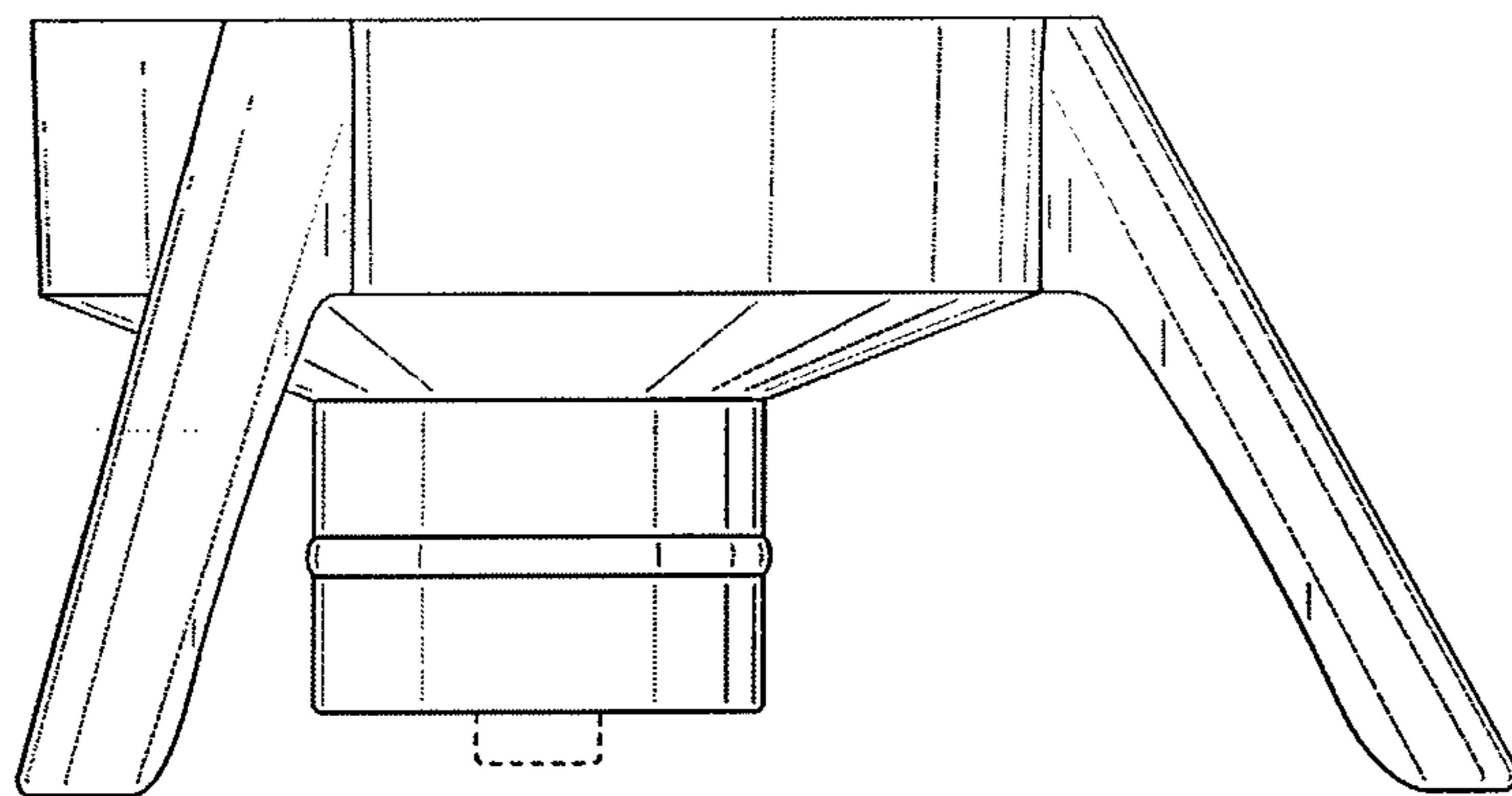


FIG. 15

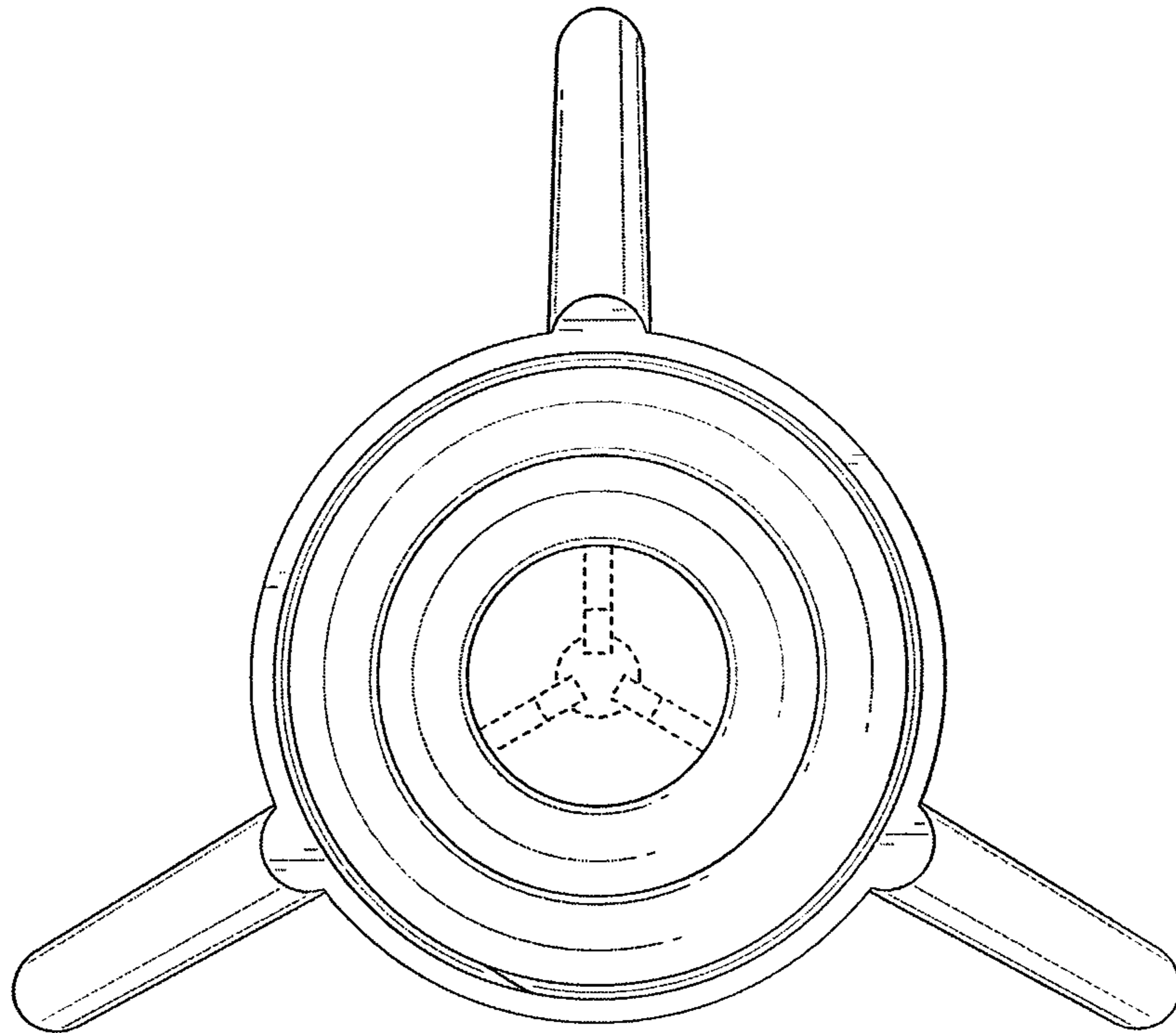


FIG. 16

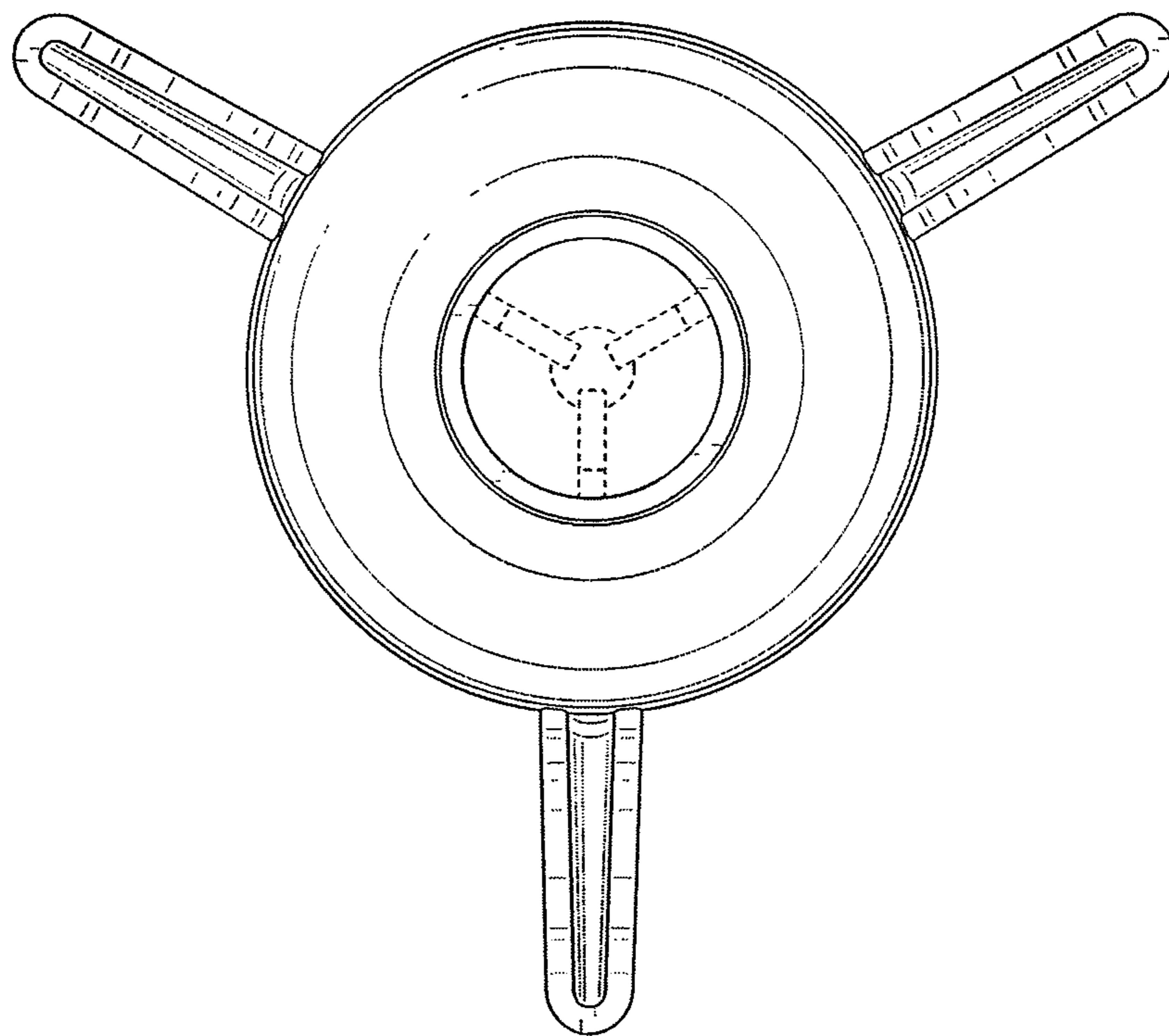


FIG. 17