



US00D724940S

(12) **United States Design Patent**  
**Kim et al.**

(10) **Patent No.:** **US D724,940 S**  
(45) **Date of Patent:** **\*\* Mar. 24, 2015**

- (54) **BOX**
- (71) Applicant: **Samsung Electronics Co., Ltd.**,  
Suwon-si (KR)
- (72) Inventors: **Ah-Young Kim**, Seoul (KR); **Ka-Ei Kim**,  
Sungnam-Si (KR)
- (73) Assignee: **Samsung Electronics Co., Ltd.**,  
Suwon-si (KR)
- (\*\*) Term: **14 Years**
- (21) Appl. No.: **29/460,353**
- (22) Filed: **Jul. 10, 2013**
- (30) **Foreign Application Priority Data**  
Jan. 11, 2013 (KR) ..... 30-2013-0001922
- (51) **LOC (10) Cl.** ..... **09-03**
- (52) **U.S. Cl.**  
USPC ..... **D9/423; D9/433**
- (58) **Field of Classification Search**  
USPC ..... D9/414, 415, 418, 420, 421, 422, 423,  
D9/425, 432, 433; 493/59; 229/117.16,  
229/125.14, 125.17, 143, 190; 206/588,  
206/593, 525, 564, 813  
See application file for complete search history.

- (56) **References Cited**  
U.S. PATENT DOCUMENTS
- 1,344,147 A \* 6/1920 Potter ..... 206/521
- 3,836,065 A \* 9/1974 Hackenberg ..... 229/117
- 4,037,777 A \* 7/1977 Maughan ..... 229/117.17
- 4,621,766 A \* 11/1986 McClure ..... 229/117.17
- 4,886,164 A \* 12/1989 Stein et al. .... 206/366
- 5,042,684 A \* 8/1991 West et al. .... 206/386
- D348,607 S \* 7/1994 Young ..... D9/423
- 5,803,347 A \* 9/1998 Sainz et al. .... 229/117.16
- 5,941,809 A \* 8/1999 Sainz et al. .... 493/59
- D651,076 S \* 12/2011 Van Berlo ..... D9/433

D687,295 S \* 8/2013 Park ..... D9/420  
 2014/0054359 A1 \* 2/2014 Benigni et al. .... 229/117.16  
 2014/0209667 A1 \* 7/2014 Wood et al. .... 229/117.16

\* cited by examiner

*Primary Examiner* — Thomas Johannes  
*Assistant Examiner* — Keith Frank  
 (74) *Attorney, Agent, or Firm* — NSIP Law

(57) **CLAIM**  
 The ornamental design for a box, as shown and described.

**DESCRIPTION**

FIG. 1 is a perspective view of a box, showing our new design;  
 FIG. 2 is a front view thereof;  
 FIG. 3 is a rear view thereof;  
 FIG. 4 is a left-side view thereof;  
 FIG. 5 is a right-side view thereof;  
 FIG. 6 is a top plan view thereof;  
 FIG. 7 is a bottom plan view thereof;  
 FIG. 8 is a planar view thereof, in which a main body part of  
 the claimed design is shown in a planar view without an upper  
 body part shown in FIG. 9;  
 FIG. 9 is another planar view thereof, in which an upper body  
 part of the claimed design is shown in a planar view without  
 a main body part shown in FIG. 8;  
 FIG. 10 is a perspective view of a box of FIG. 1, in which the  
 claimed design is shown with sides of the main body part  
 unfolded and without the upper body part of FIG. 9;  
 FIG. 11 is a partially exploded perspective view thereof, in  
 which the main body part of the claimed design and the upper  
 body part of the claimed design are shown separately; and,  
 FIG. 12 is another perspective view of a box of FIG. 1, in  
 which sides of the main body part are closed to illustrate the  
 claimed design in a folded view.  
 The broken lines shown in FIGS. 8 and 9 are unclaimed fold  
 lines and form no part of the claimed design.

**1 Claim, 12 Drawing Sheets**

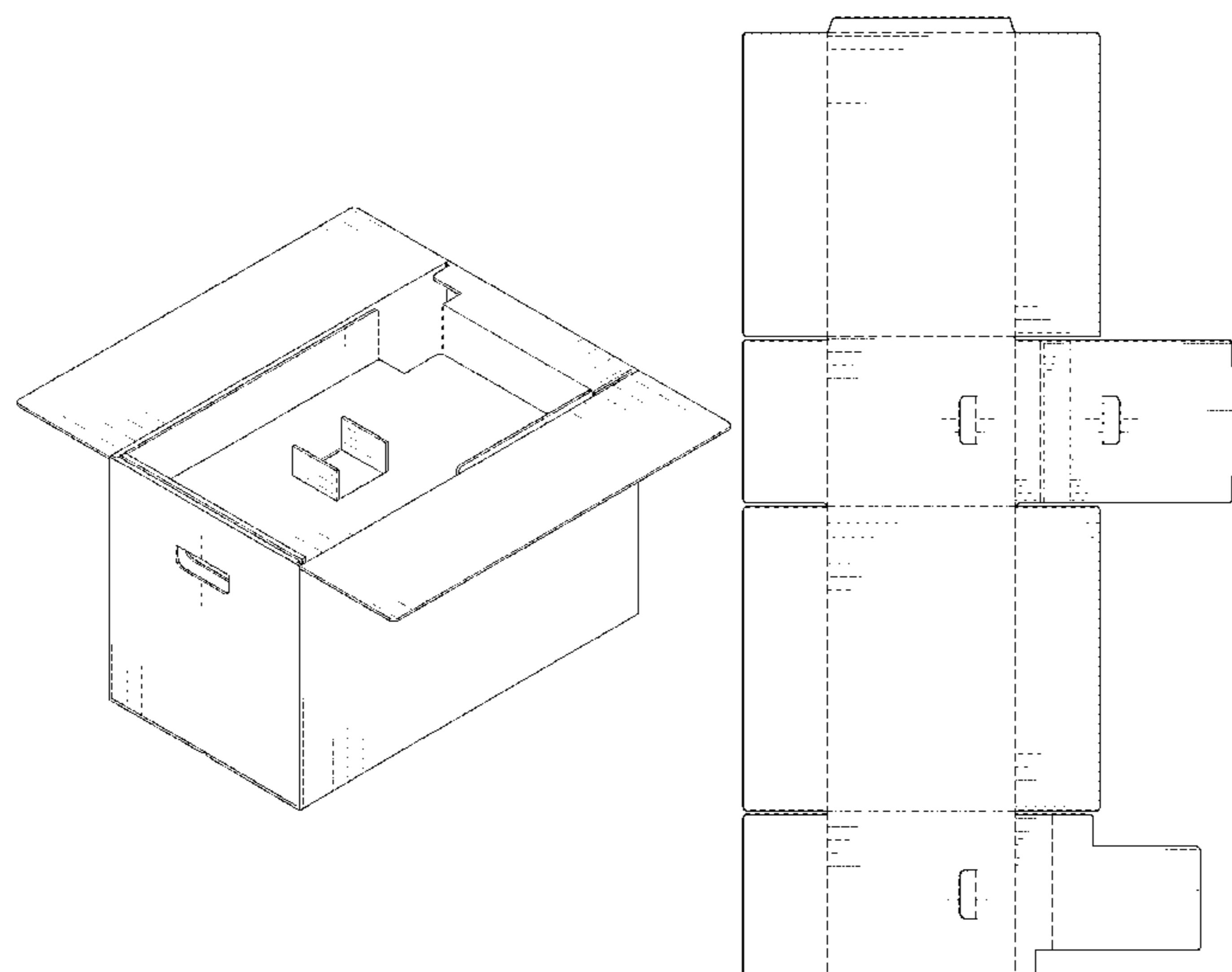


FIG. 1

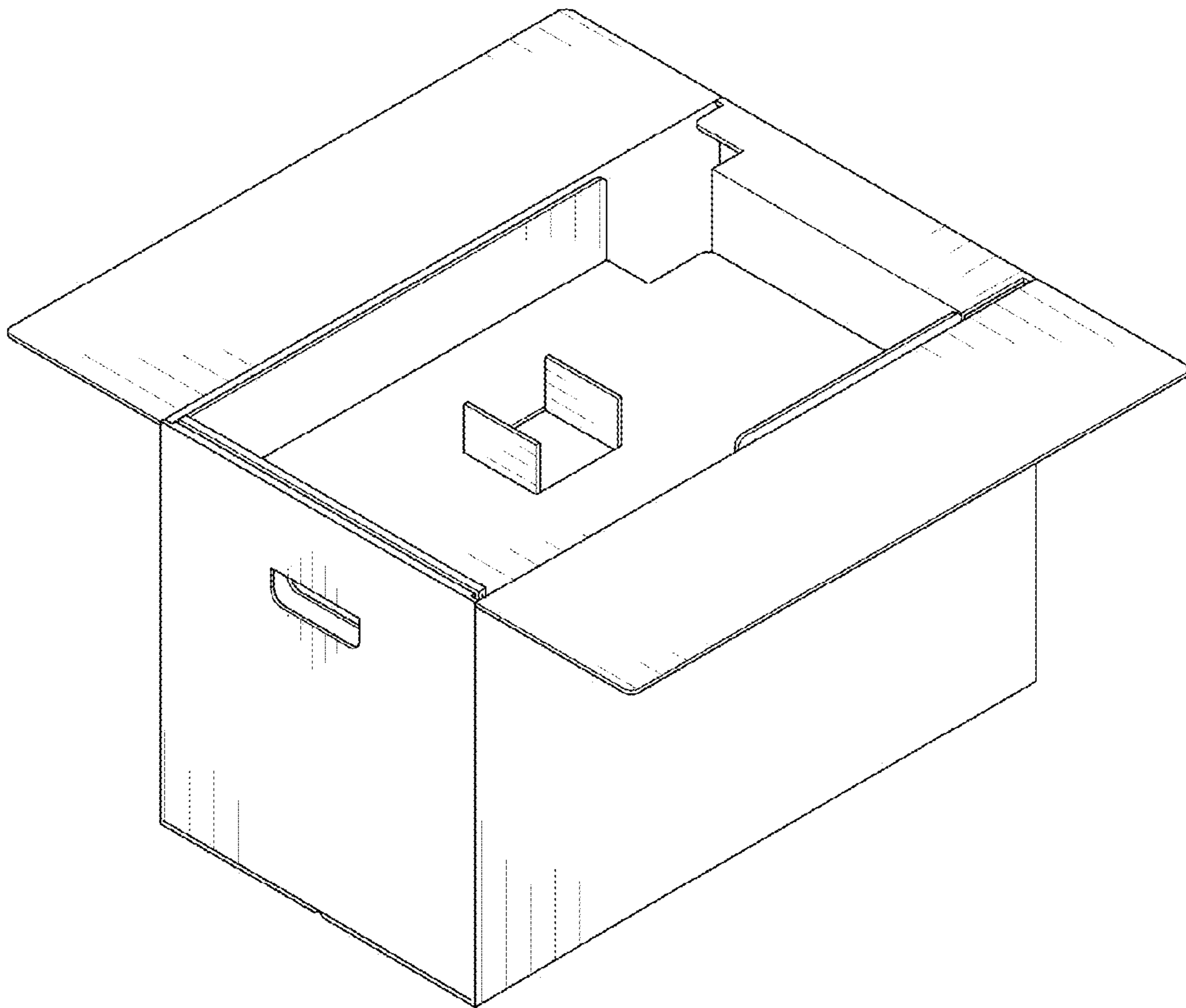


FIG. 2

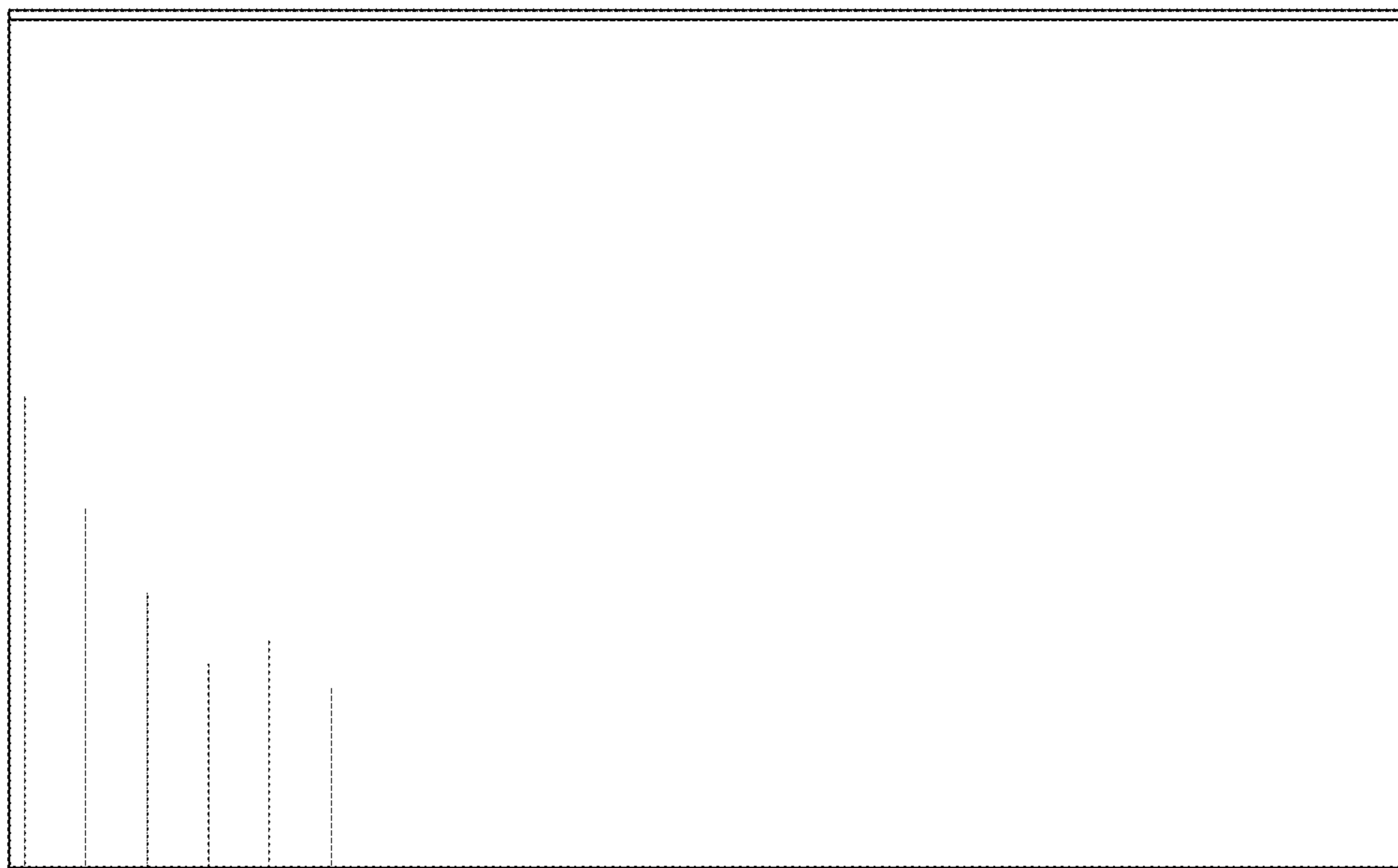


FIG. 3

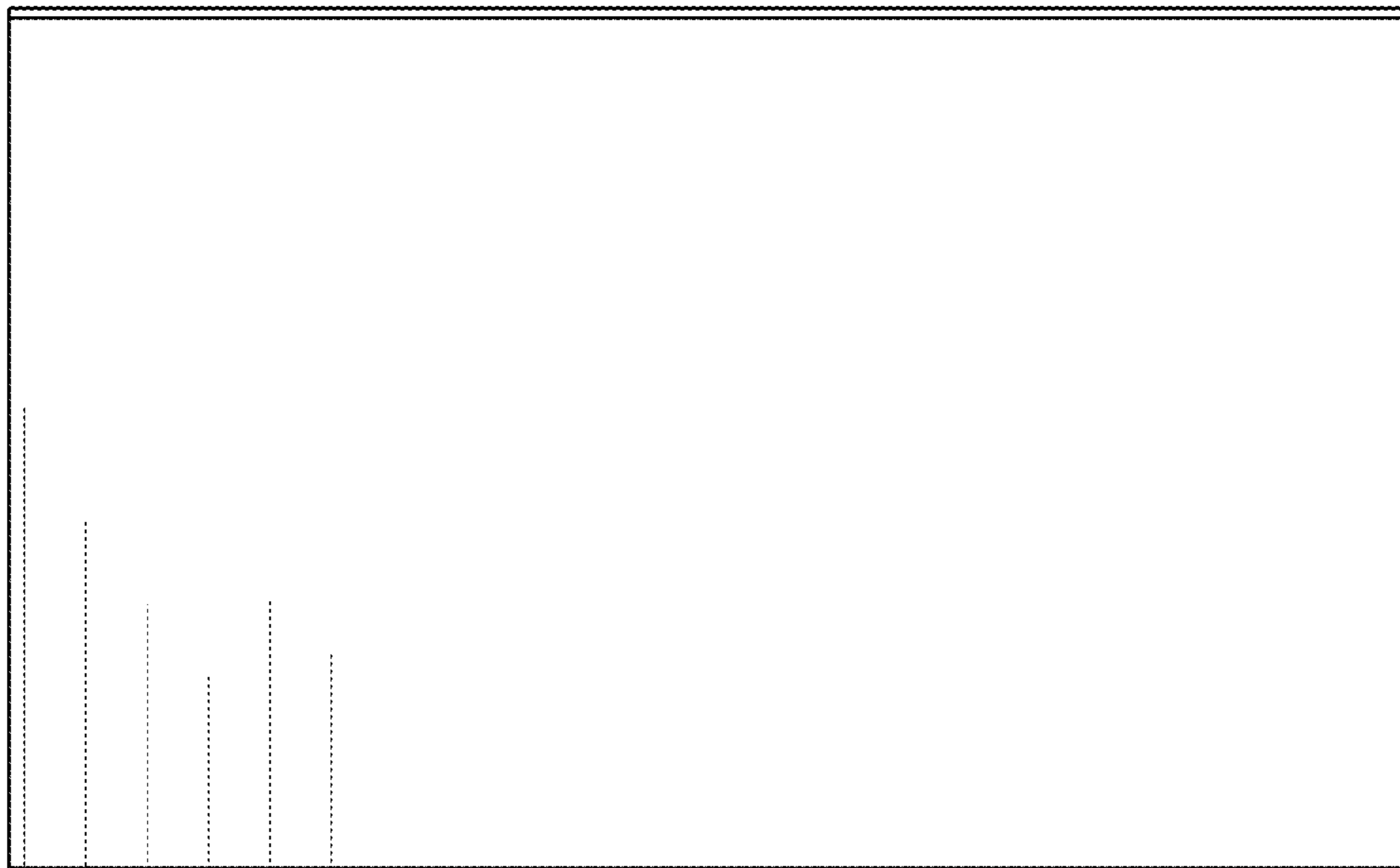


FIG. 4

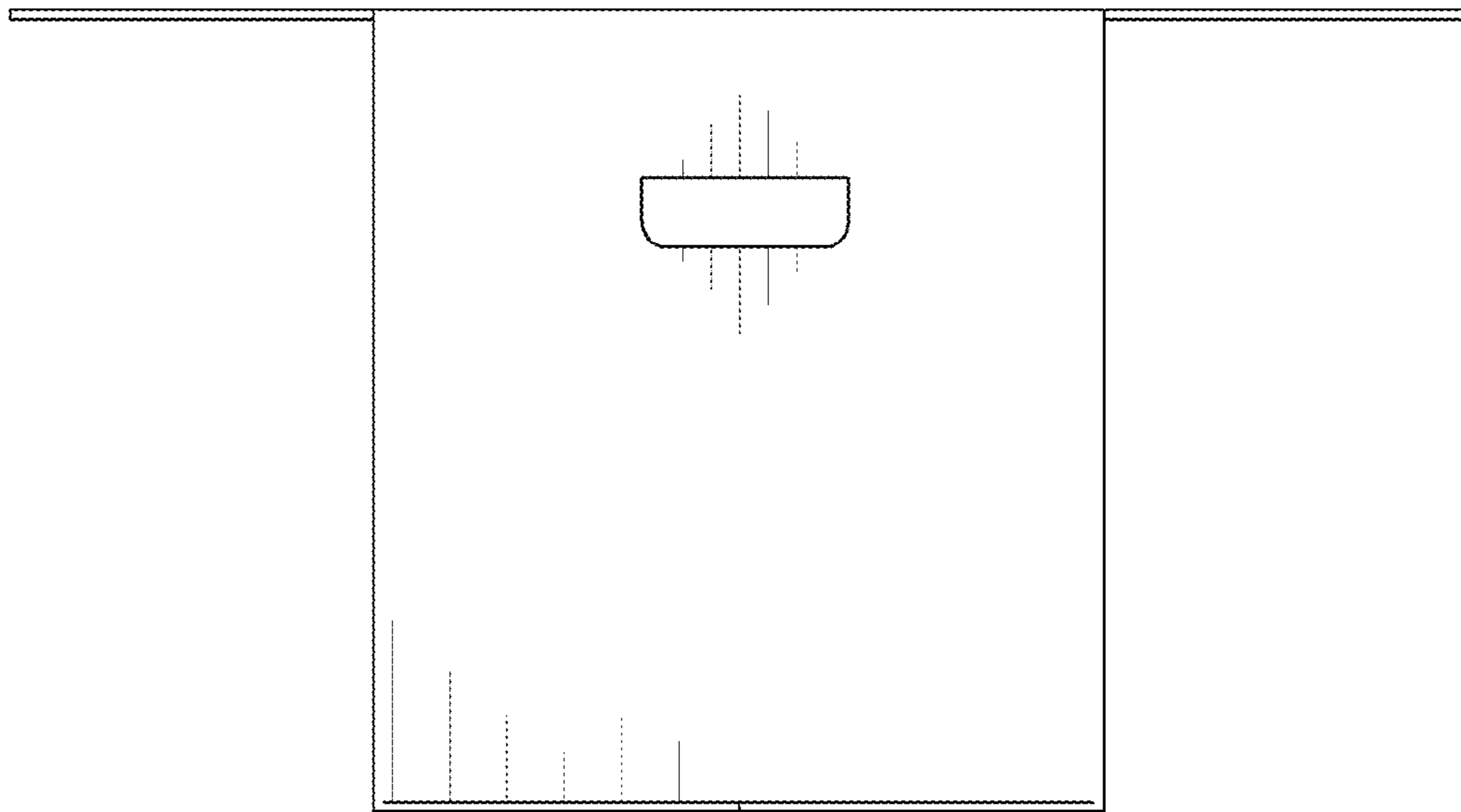


FIG. 5

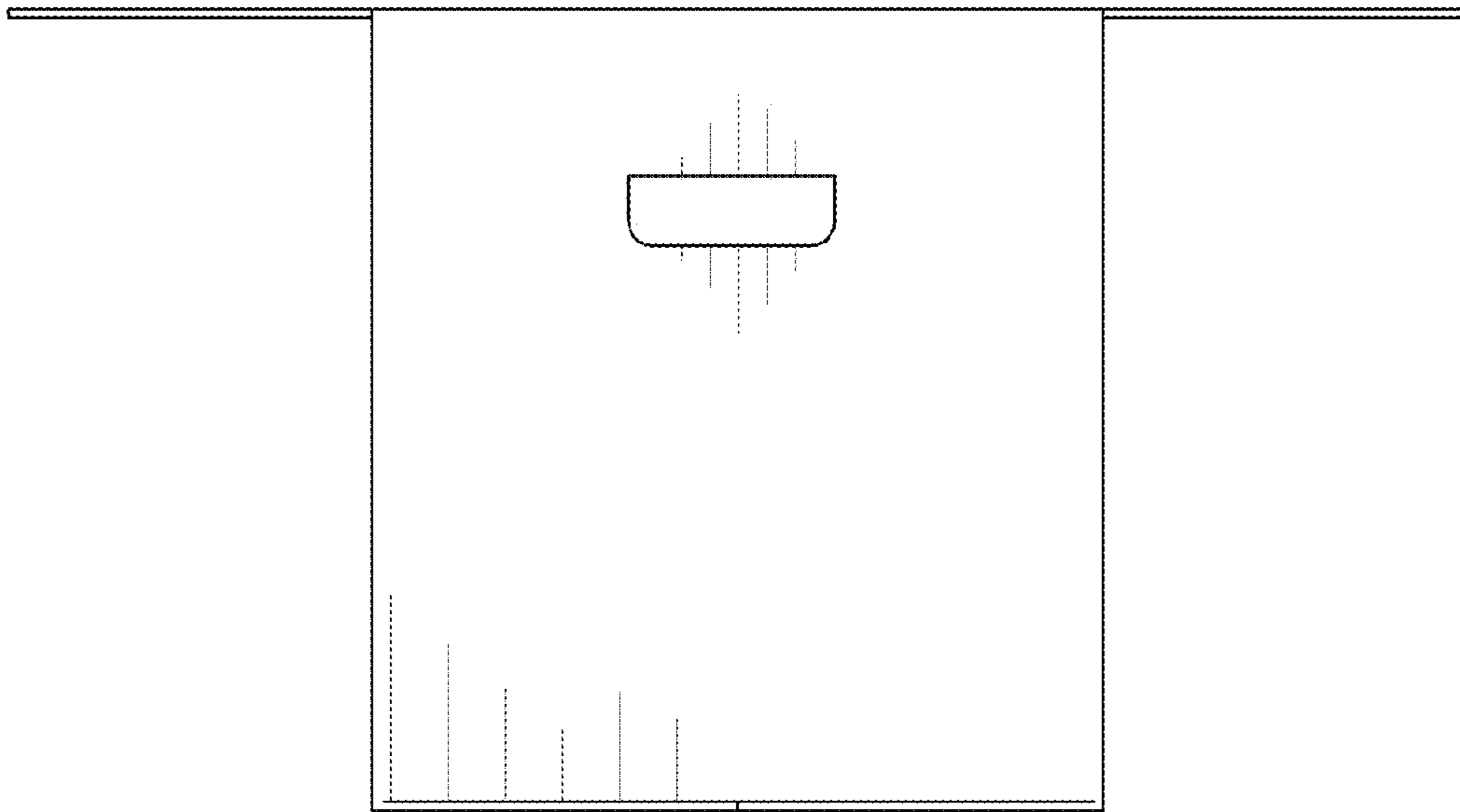


FIG. 6

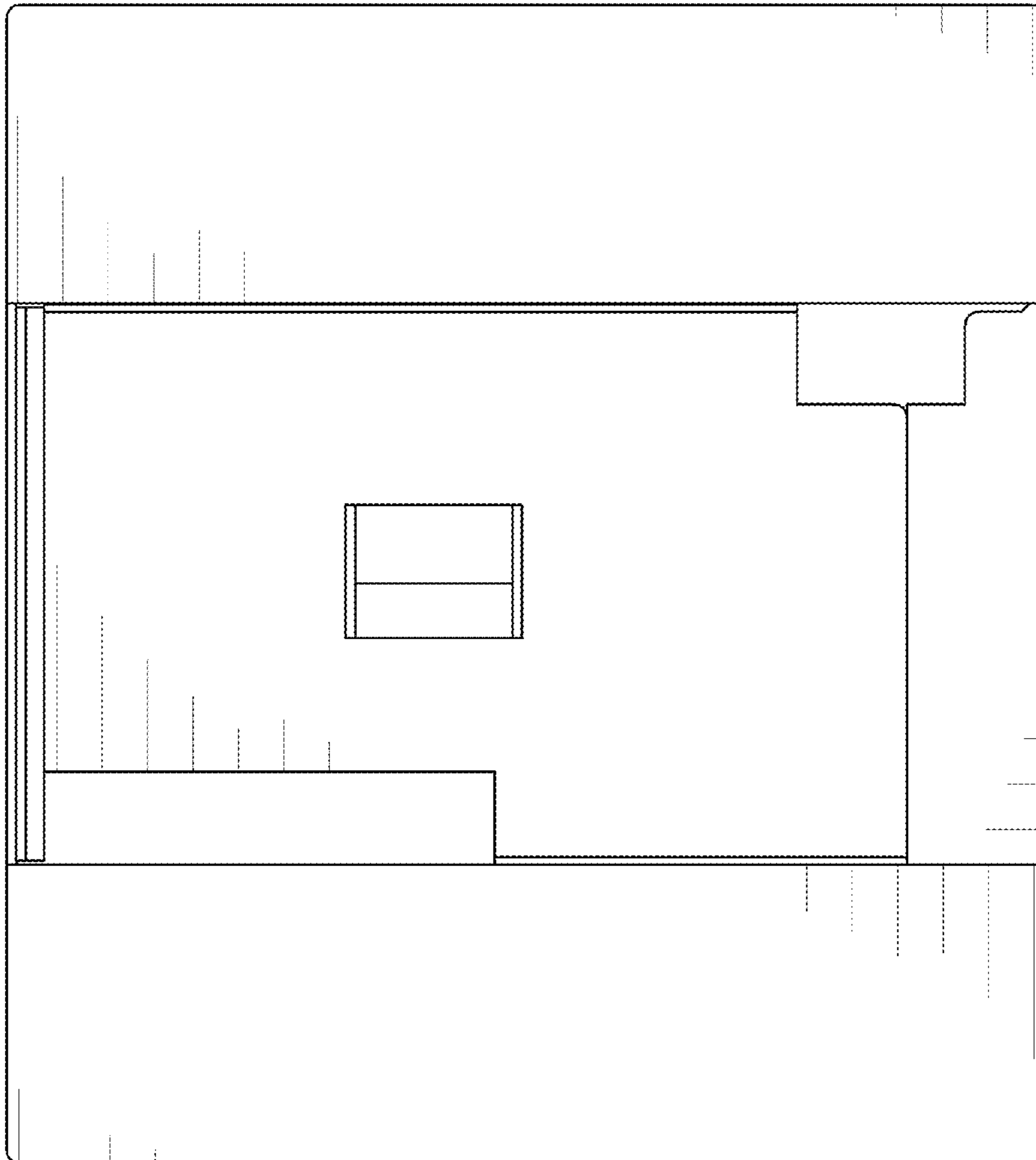


FIG. 7

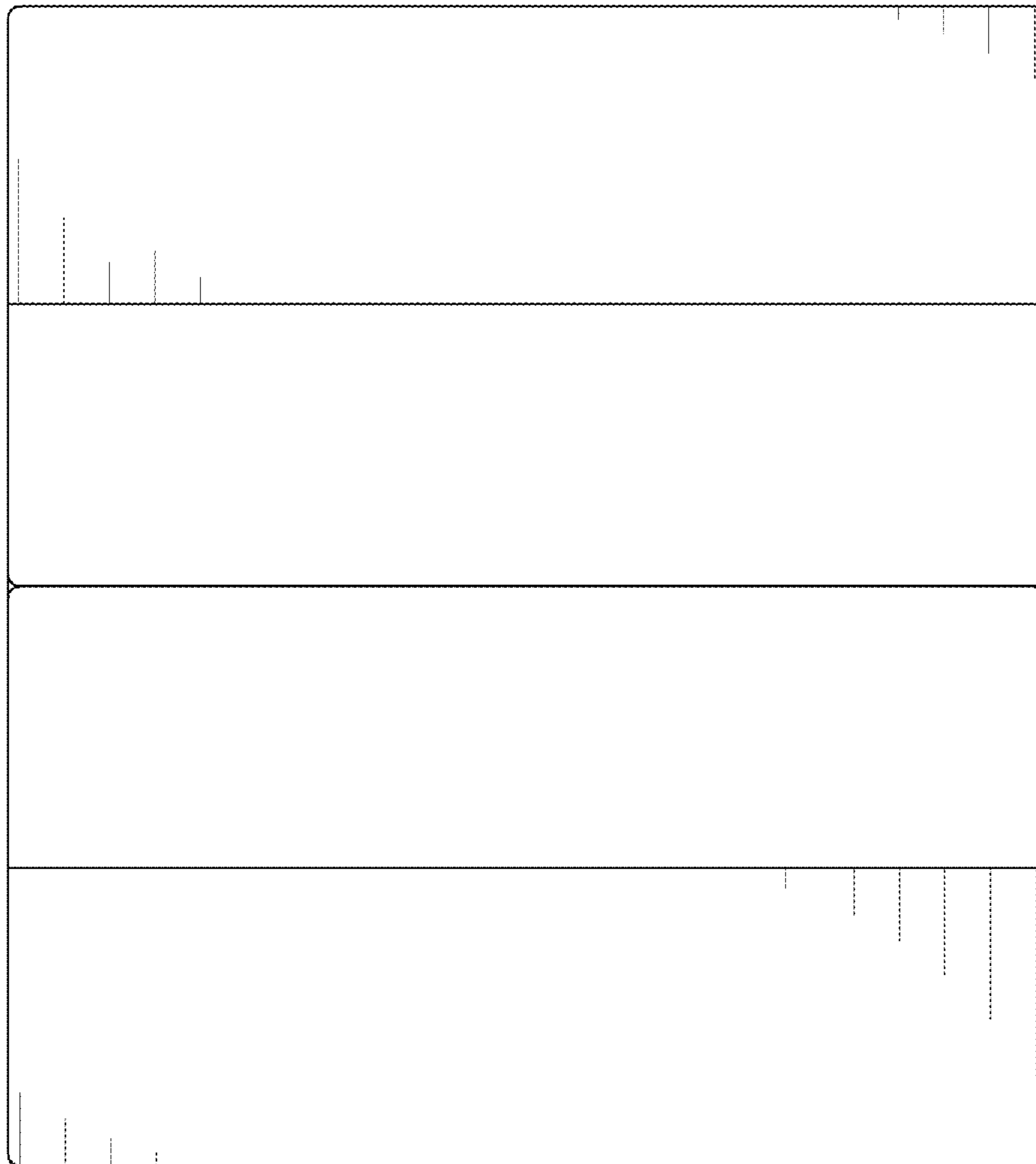




FIG. 8

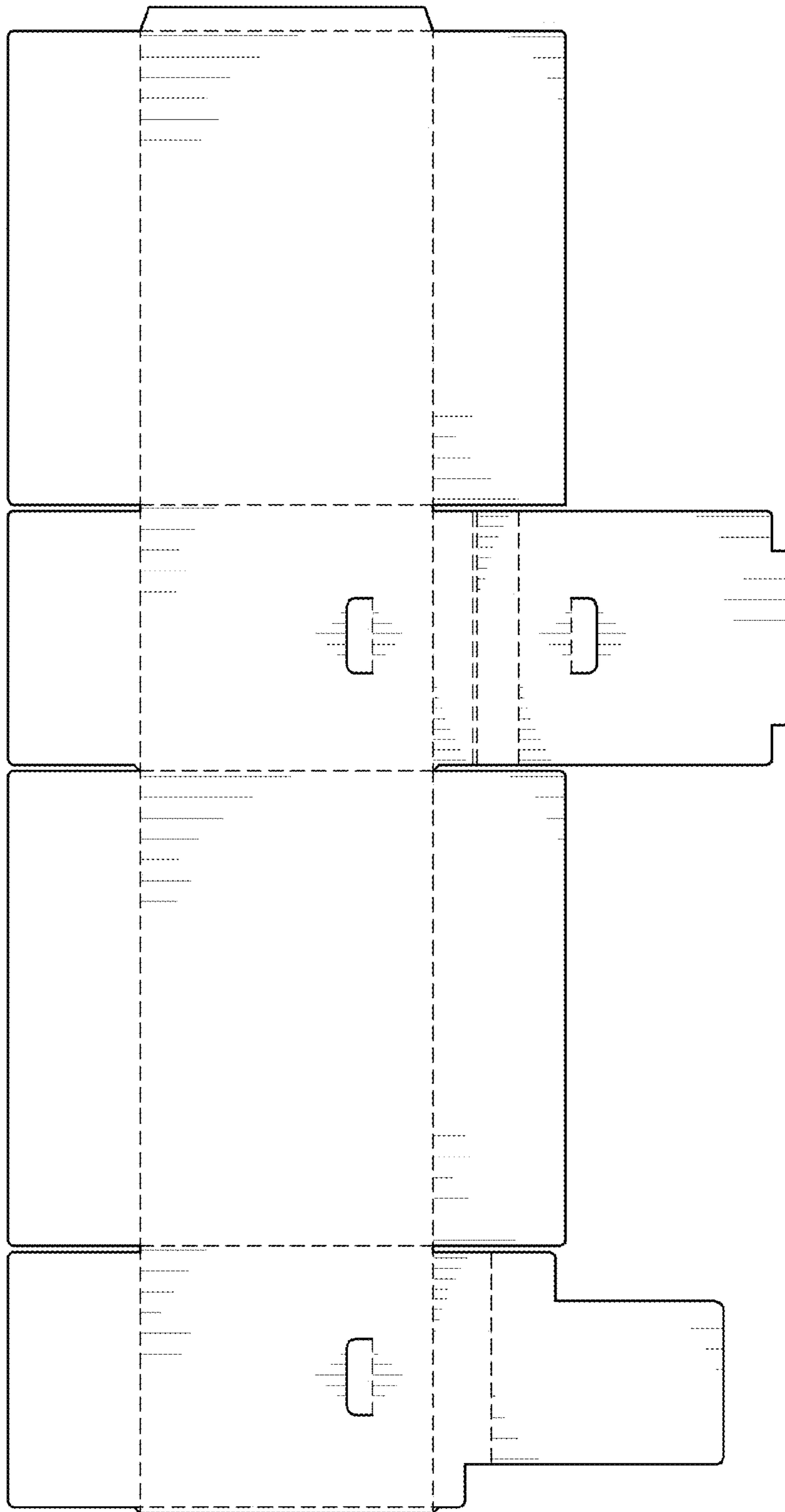


FIG. 9

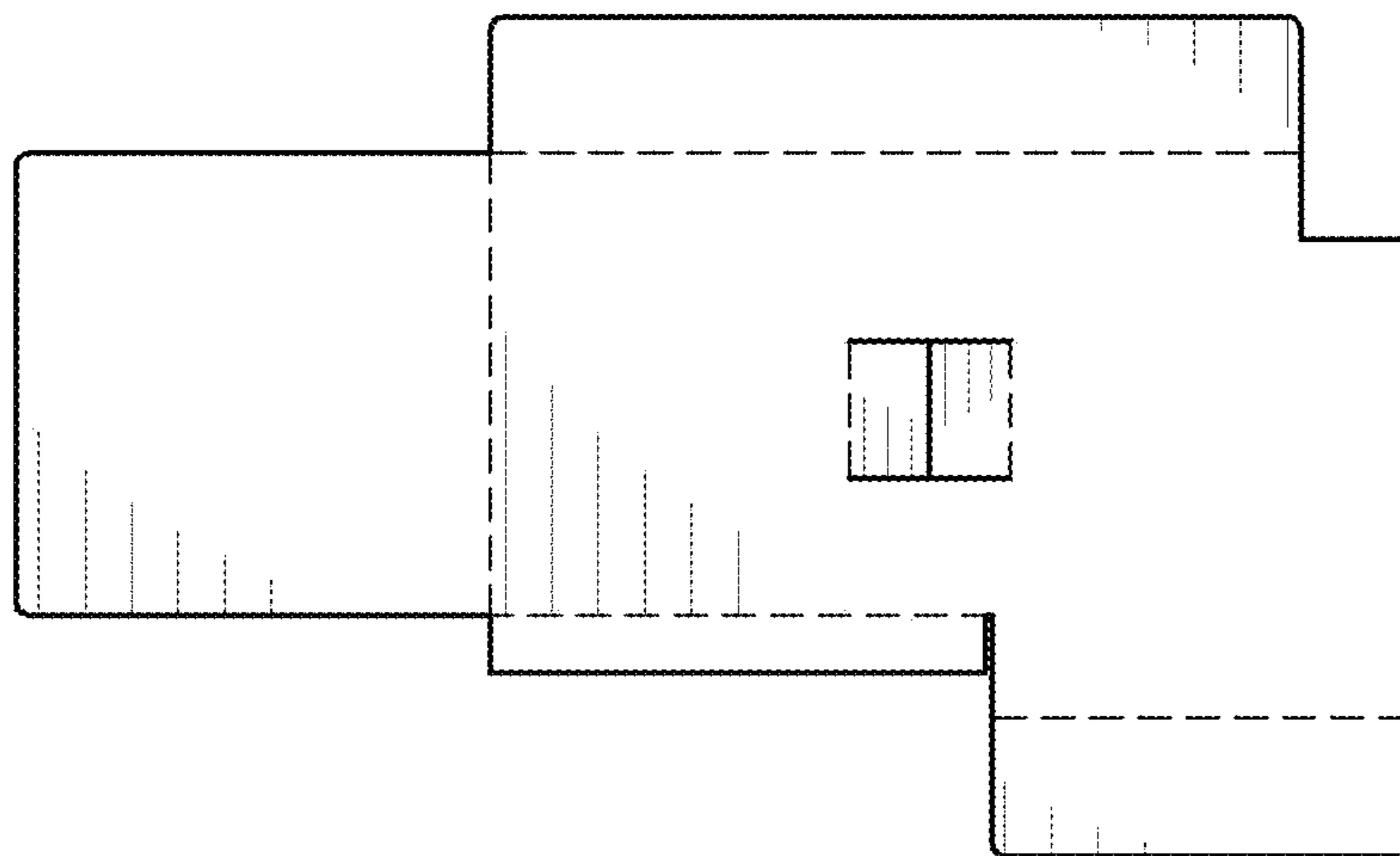


FIG. 10

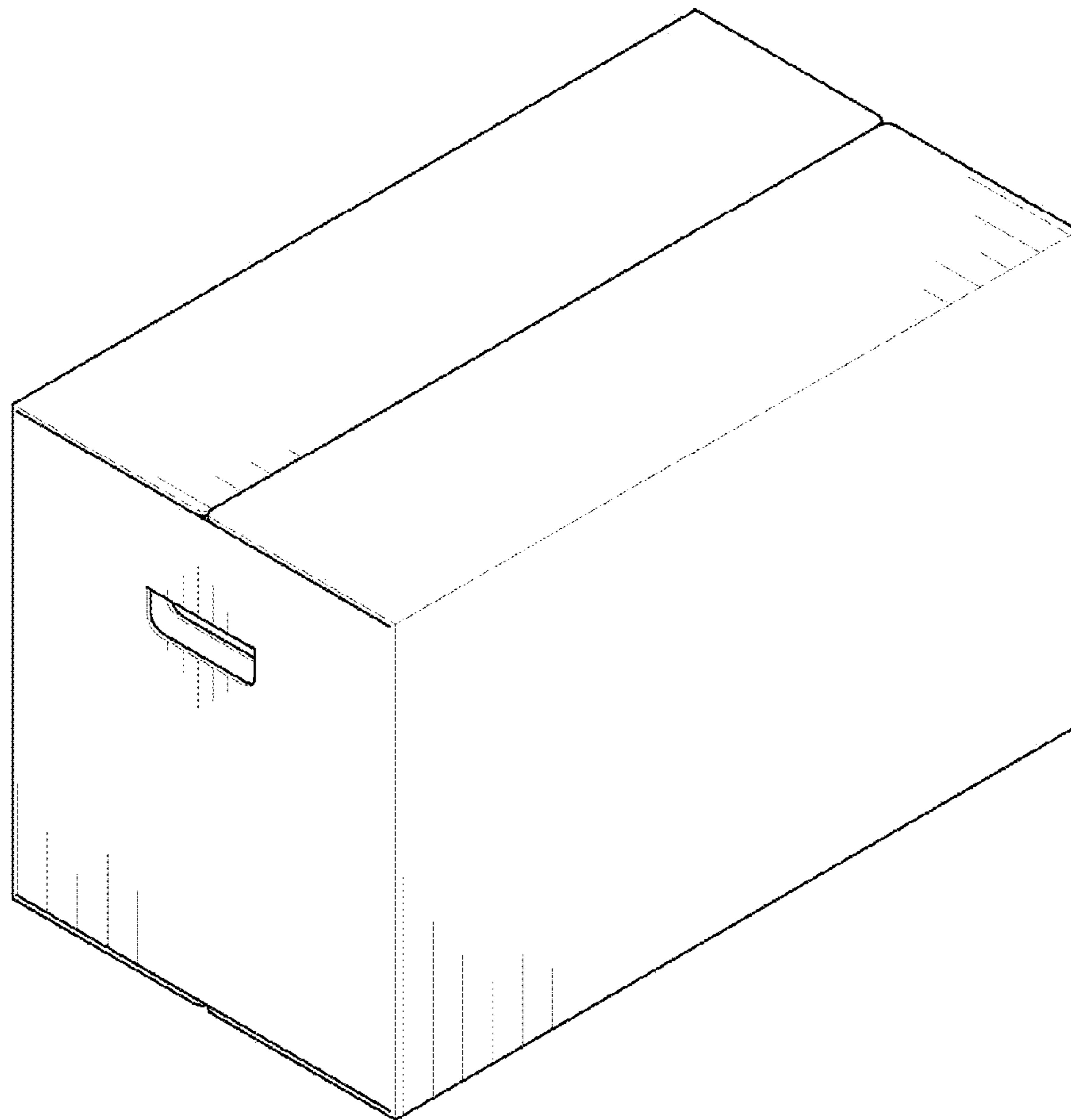


FIG. 11

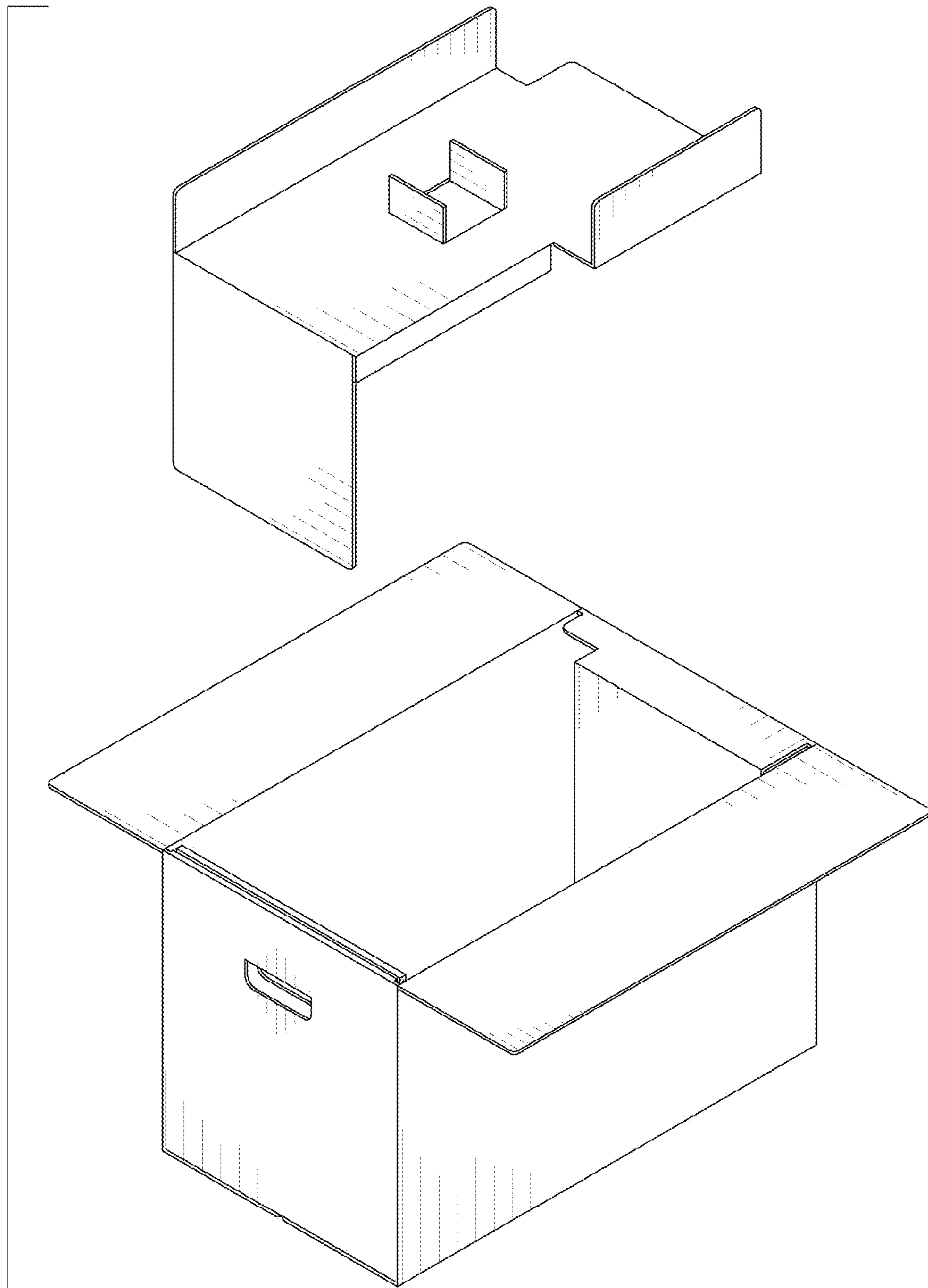


FIG. 12

