



US00D724938S

(12) **United States Design Patent**  
**Nash et al.**

(10) **Patent No.:** **US D724,938 S**  
(45) **Date of Patent:** **\*\* Mar. 24, 2015**

(54) **PACKAGE FOR A MEDICAL DEVICE**

(71) Applicant: **Medtronic Vascular, Inc.**, Santa Rosa, CA (US)

(72) Inventors: **Stephen Nash**, Galway (IE); **David Clarke**, Galway (IE)

(73) Assignee: **Medtronic Vascular, Inc.**, Santa Rosa, CA (US)

(\*\*) Term: **14 Years**

(21) Appl. No.: **29/484,142**

(22) Filed: **Mar. 6, 2014**

(51) **LOC (10) Cl.** ..... **09-03**

(52) **U.S. Cl.**  
USPC ..... **D9/417**

(58) **Field of Classification Search**  
USPC ..... D9/414-419, 432, 431, 433, 423, 430, D9/734, 739, 721, 434, 526, 711; 229/123.3, 106, 108, 116.1, 207, 200, 229/201, 210, 230, 232, 122, 214, 125.37, 229/215, 221, 217; D3/203.2, 20, 294; 206/557, 216, 308.1, 551; D27/189; D34/39

See application file for complete search history.

(56) **References Cited**

**U.S. PATENT DOCUMENTS**

2,730,290	A	1/1956	Lynes	
3,133,688	A	5/1964	Asman	
4,657,174	A	4/1987	Hennig	
5,000,374	A	3/1991	Deiger	
D335,819	S *	5/1993	Campbell	D9/721
D340,642	S *	10/1993	Detzel et al.	D9/417
5,326,024	A *	7/1994	Fogle	229/214

(Continued)

**FOREIGN PATENT DOCUMENTS**

EP	0359968	8/1989
EP	1331170	7/2003

**OTHER PUBLICATIONS**

PCT/US2014/054397, "The International Search Report and the Written Opinion of the International Searching Authority" mailed Dec. 2, 2014.

*Primary Examiner* — Ian Simmons  
*Assistant Examiner* — Rhea Shields

(57) **CLAIM**

The ornamental design for a package for a medical device, as shown and described.

**DESCRIPTION**

FIG. 1 is a front perspective view of an embodiment of a package for a medical device showing our new design.

FIG. 2 is a rear perspective view of the package for a medical device of FIG. 1.

FIG. 3 is a right view of the package for a medical device thereof;

FIG. 4 is a front view of the package for a medical device thereof;

FIG. 5 is a left view of the package for a medical device thereof;

FIG. 6 is a rear view of the package for a medical device thereof;

FIG. 7 is a top view of the package for a medical device of FIG. 1.

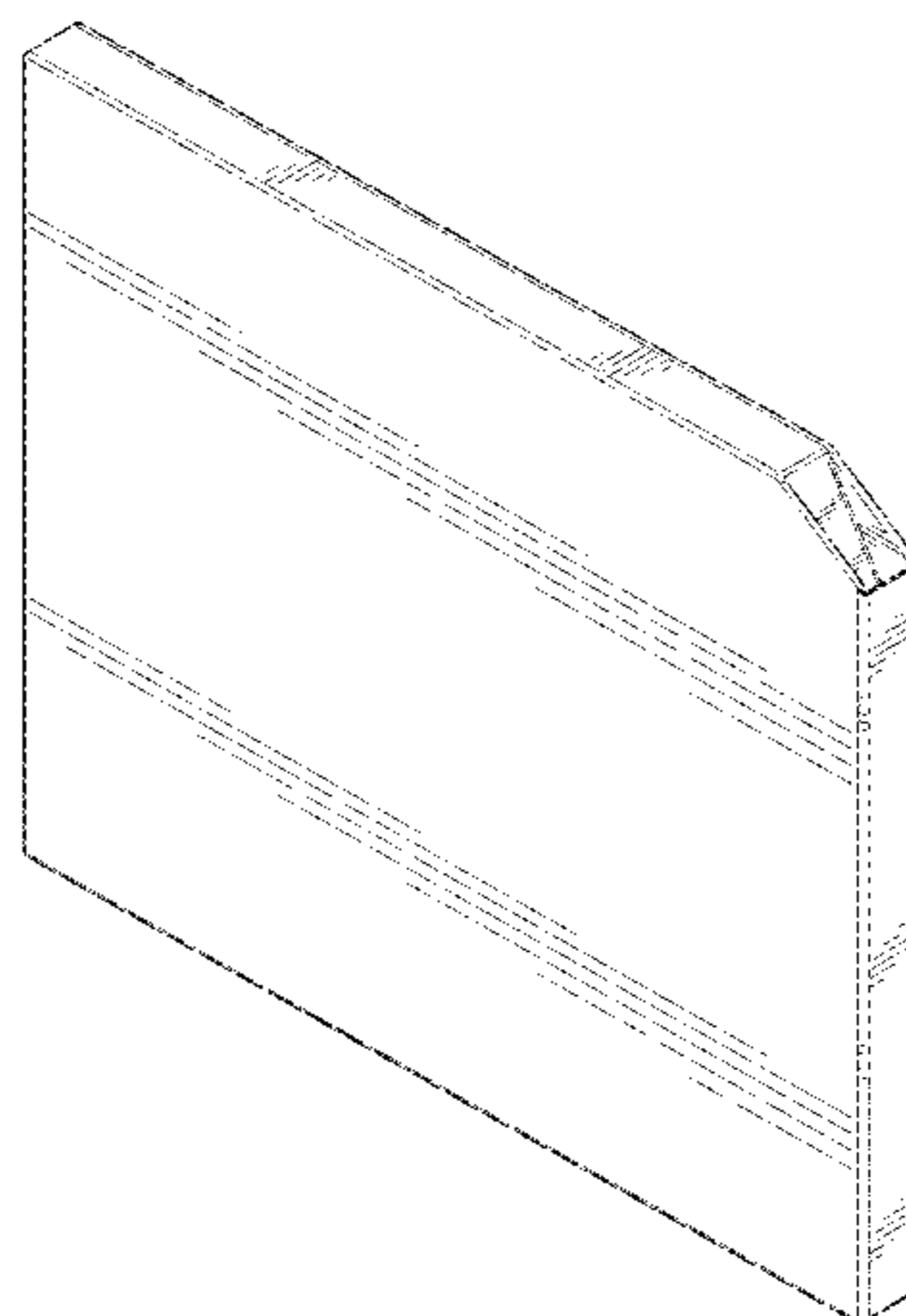
FIG. 8 is a bottom view of the package for a medical device of FIG. 1.

FIG. 9 is an enlarged perspective view of the top front portion of the package for a medical device of FIG. 1, with the dash-dot-dot-dash broken lines surrounding the enlarged portion forming no part of the claimed design; and,

FIG. 10 is another enlarged perspective view of the top front portion of the package for a medical device of FIG. 1, with the dash-dot-dot-dash broken lines surrounding the enlarged portion forming no part of the claimed design.

The shade lines in the Figures show contour and not surface ornamentation.

**1 Claim, 7 Drawing Sheets**



(56)

**References Cited**

U.S. PATENT DOCUMENTS

5,655,661 A \* 8/1997 Rigby ..... 206/557  
 D383,064 S \* 9/1997 Tsukikawa ..... D9/432  
 5,839,574 A \* 11/1998 Lorence et al. .... 206/216  
 D401,760 S \* 12/1998 Richardson ..... D3/20  
 D424,434 S \* 5/2000 Hoffman ..... D9/432  
 6,419,151 B1 \* 7/2002 Urtubey ..... 229/215  
 D536,965 S \* 2/2007 Levy ..... D9/430  
 D560,487 S \* 1/2008 Boettcher et al. .... D3/294  
 D580,263 S \* 11/2008 Yi Man ..... D9/432  
 D586,221 S \* 2/2009 Shaikh ..... D9/526  
 D594,742 S \* 6/2009 Meier et al. .... D9/432

D596,787 S \* 7/2009 Hearn ..... D27/189  
 D613,153 S \* 4/2010 Russell ..... D9/423  
 D630,523 S \* 1/2011 Dragoo et al. .... D9/711  
 D635,321 S \* 3/2011 Eustis ..... D34/39  
 D637,074 S \* 5/2011 Maki et al. .... D9/417  
 D639,014 S \* 5/2011 Eustis ..... D34/39  
 D660,143 S \* 5/2012 Stowe et al. .... D9/417  
 D690,195 S \* 9/2013 Kalberer et al. .... D9/430  
 D696,109 S \* 12/2013 Wilker ..... D9/418  
 8,720,690 B2 \* 5/2014 Ruggiero ..... 206/551  
 D708,055 S \* 7/2014 Elston et al. .... D9/423  
 2002/0053592 A1 5/2002 Urtubey  
 2005/0230465 A1 \* 10/2005 Metzler et al. .... 229/125.37  
 2006/0054675 A1 \* 3/2006 Bennett ..... 229/215

\* cited by examiner

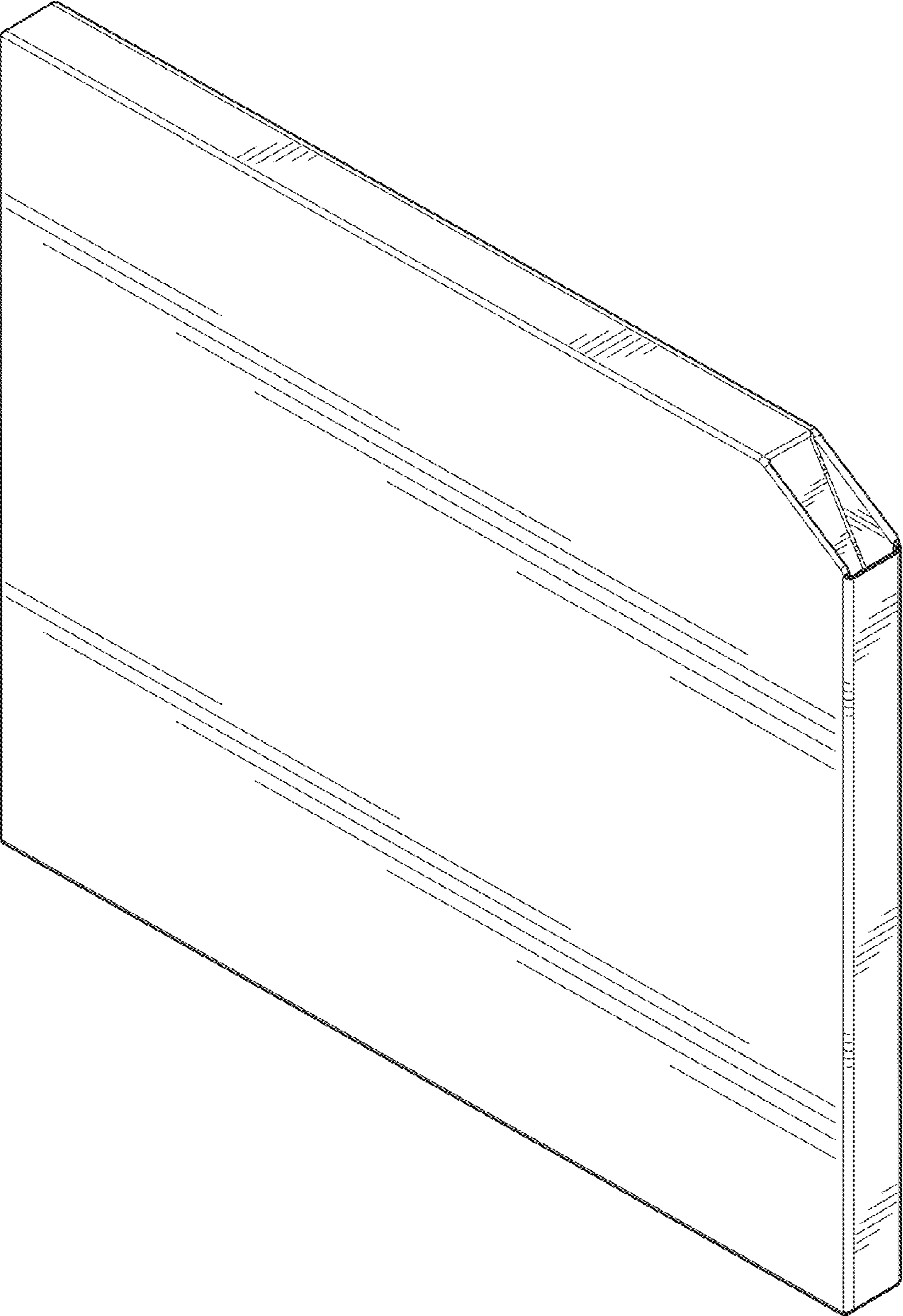


FIG. 1

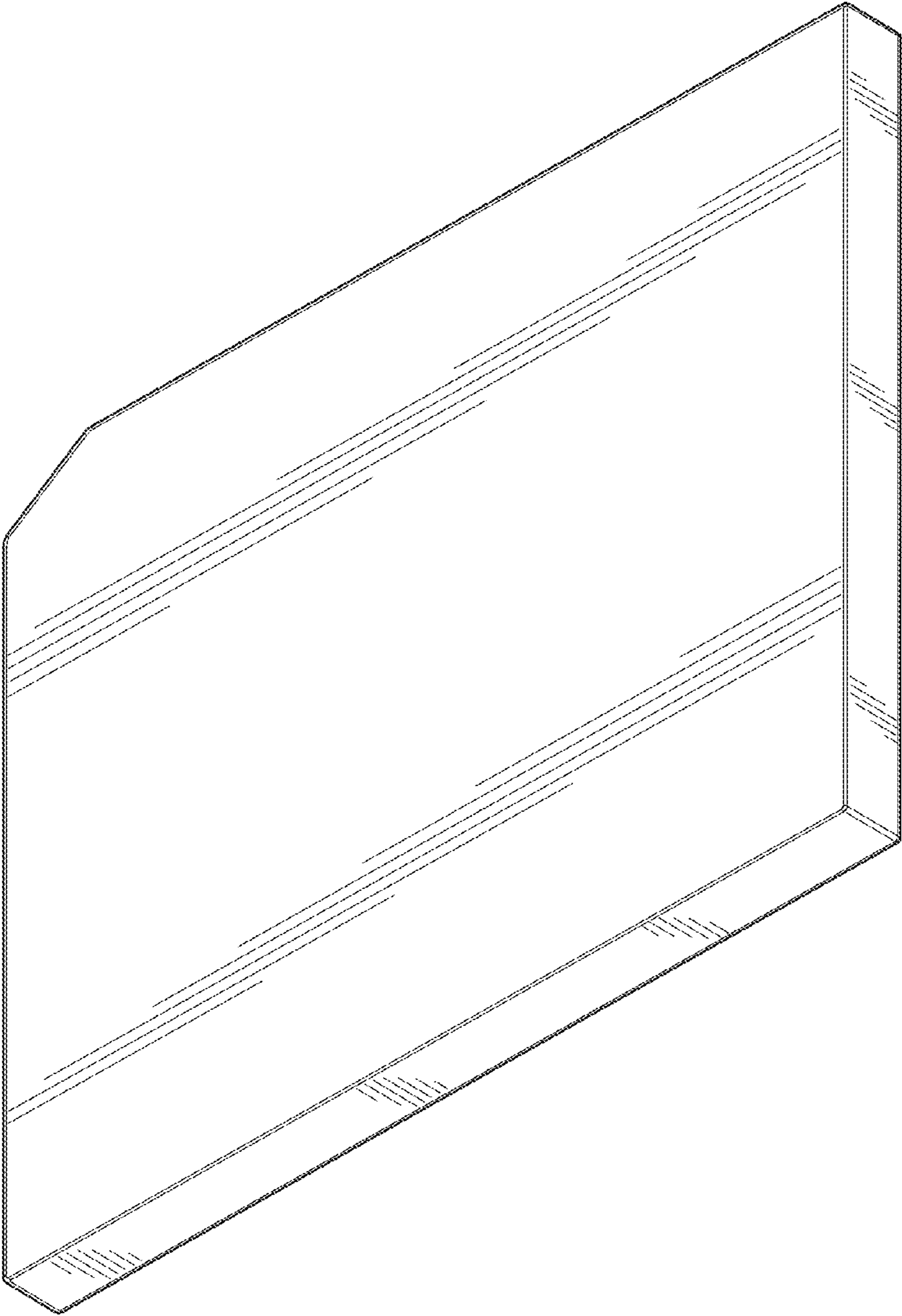


FIG. 2



FIG. 4

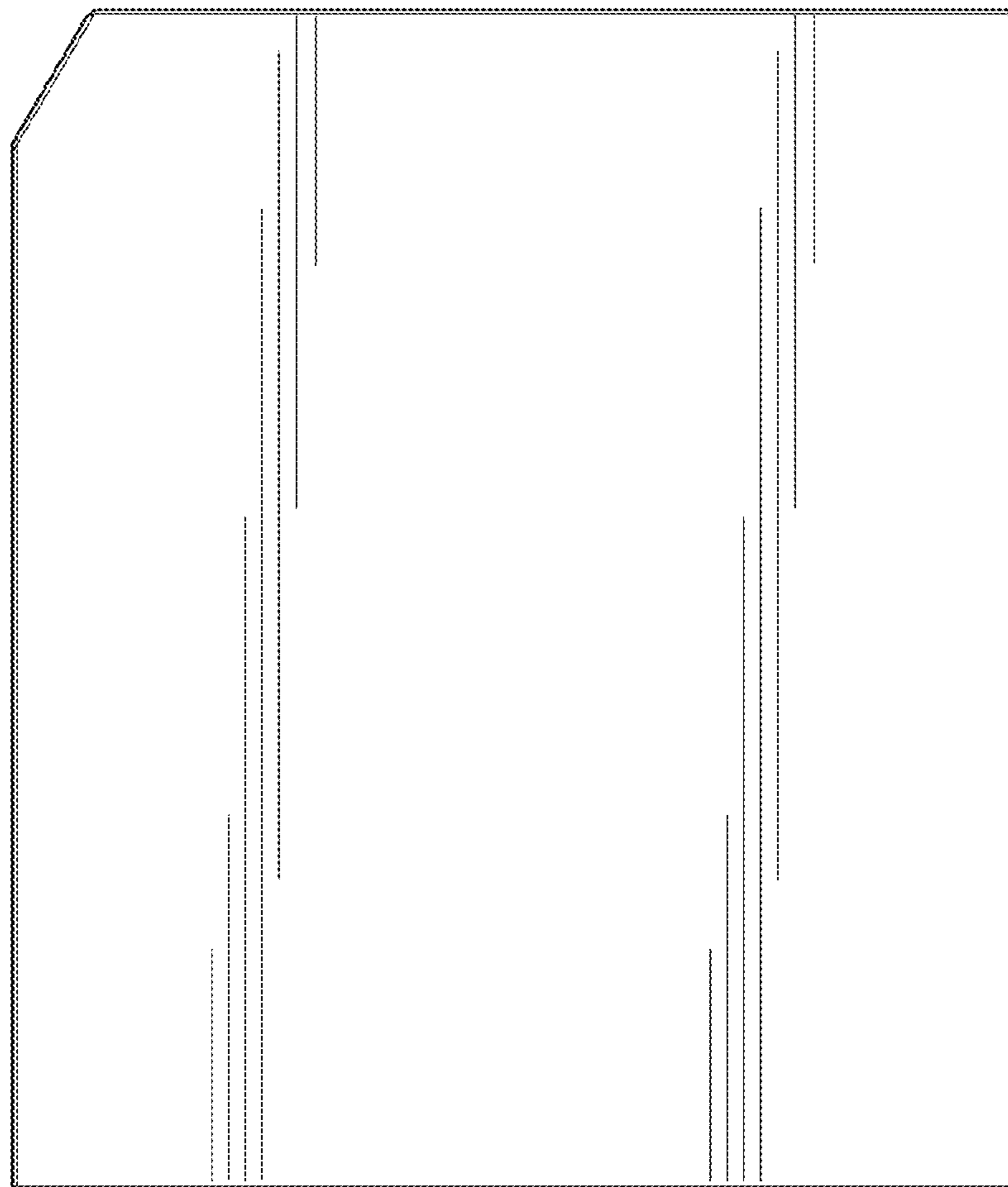


FIG. 3



FIG. 6

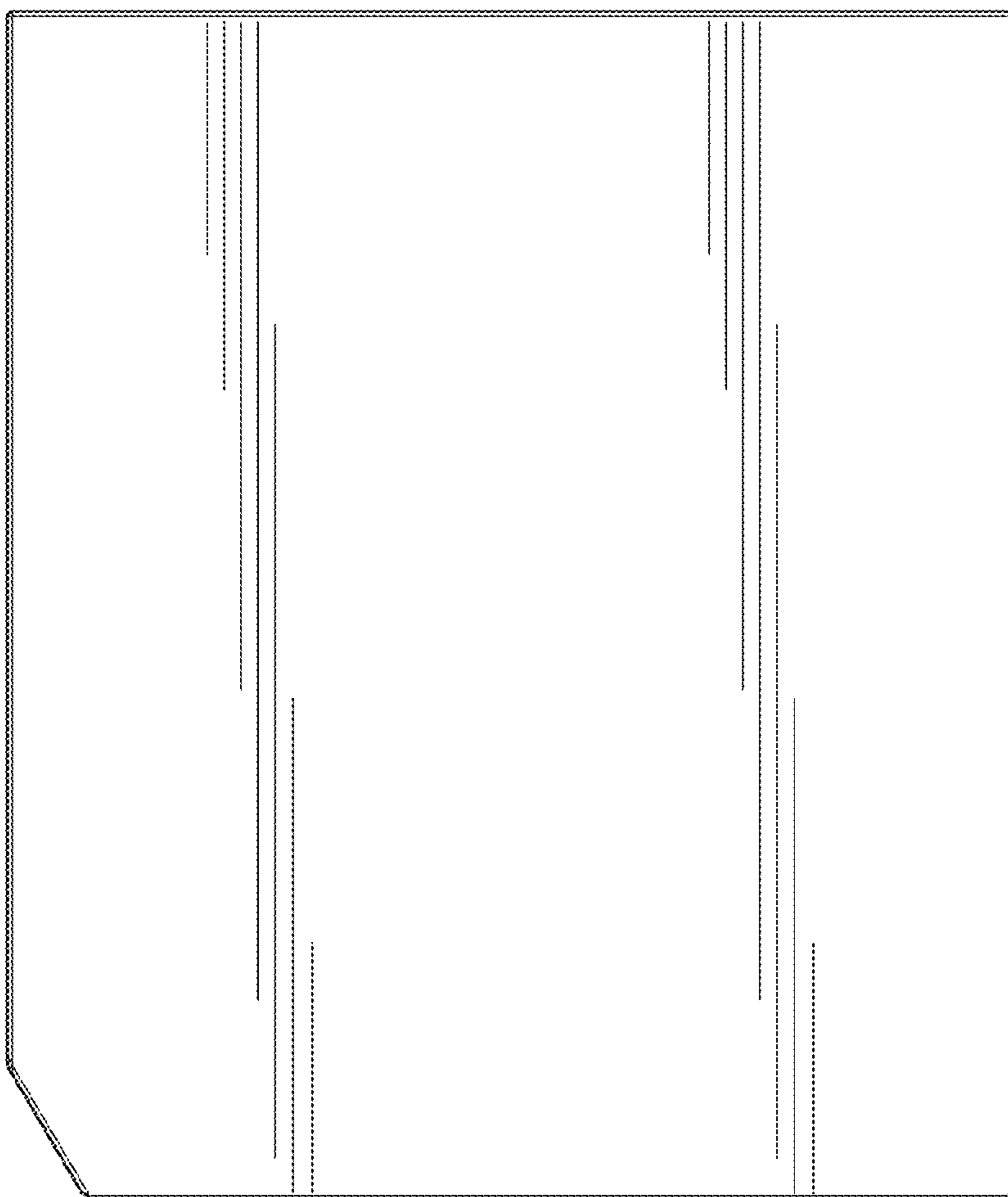


FIG. 5



FIG. 7

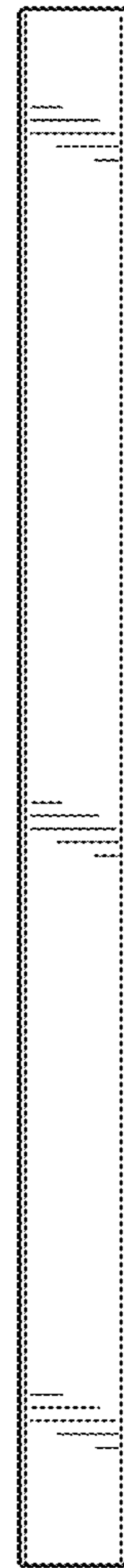


FIG. 8

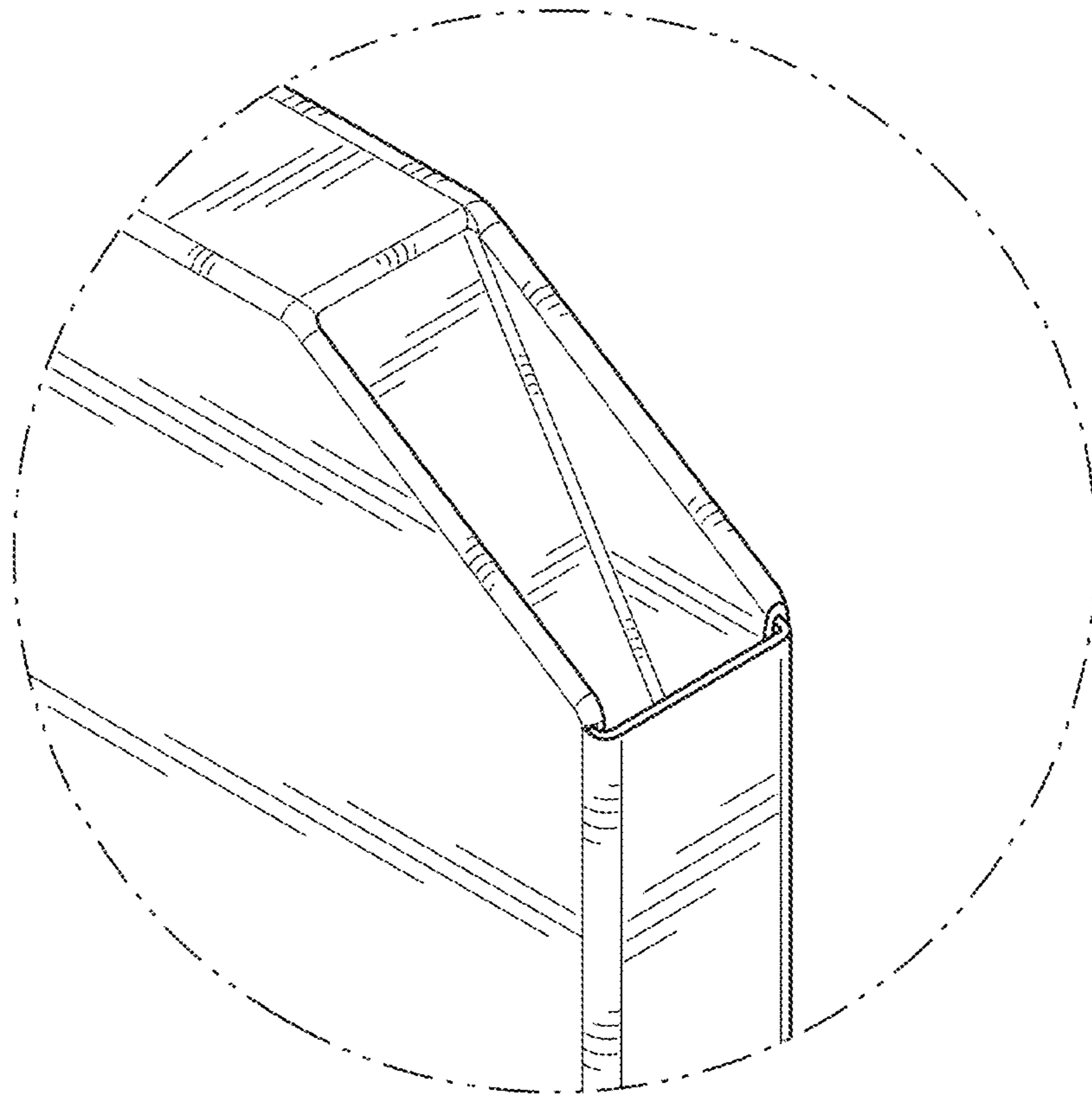


FIG. 9



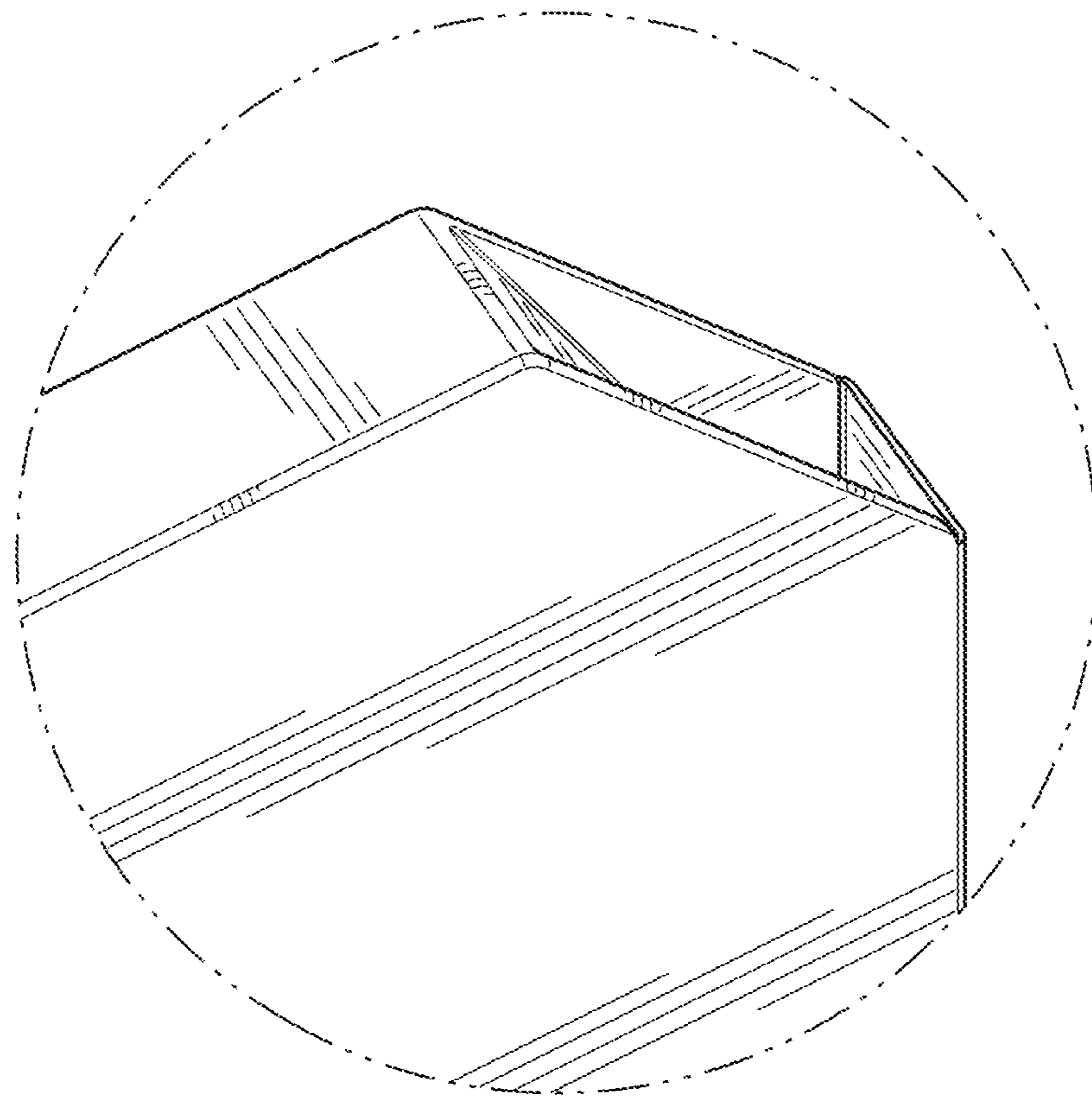


FIG. 10