



US00D724937S

(12) **United States Design Patent**  
**Zilisch**

(10) **Patent No.:** **US D724,937 S**

(45) **Date of Patent:** **\*\* Mar. 24, 2015**

(54) **SMALL CLIP WITH SIGN ATTACHMENTS**

D455,339 S \* 4/2002 Tsai ..... D8/395  
7,564,682 B2 7/2009 Liou et al.  
D638,697 S \* 5/2011 Zemel ..... D8/395  
8,356,784 B2 \* 1/2013 Doll et al. .... 248/229.13

(76) Inventor: **Eric Zilisch**, Kenosha, WI (US)

(\*\*) Term: **14 Years**

\* cited by examiner

(21) Appl. No.: **29/423,012**

*Primary Examiner* — Ian Simmons

(22) Filed: **May 25, 2012**

*Assistant Examiner* — Harold Blackwell, II

(51) **LOC (10) Cl.** ..... **08-08**

(74) *Attorney, Agent, or Firm* — Geiser Law, PLLC; Greg N. Geiser

(52) **U.S. Cl.**

USPC ..... **D8/398**; D8/395

(58) **Field of Classification Search**

USPC ..... D8/395, 394, 397, 381, 396; D19/65,  
D19/100, 86, 91; D32/61; 296/254 R;  
24/530, 327, 339; 40/606.1, 606.15,  
40/611.12, 611.13, 607.14, 124.4

See application file for complete search history.

(57) **CLAIM**

What is claimed is the ornamental design for a small clip with sign attachments, as shown and described.

**DESCRIPTION**

FIG. 1 is a perspective view of the new design of a small clip with sign attachments;

FIG. 2 is a top plan view thereof;

FIG. 3 is a rear elevational view thereof;

FIG. 4 is a right-side elevational view thereof, the left-side elevational view being a mirror image thereof;

FIG. 5 is a front elevational view thereof; and,

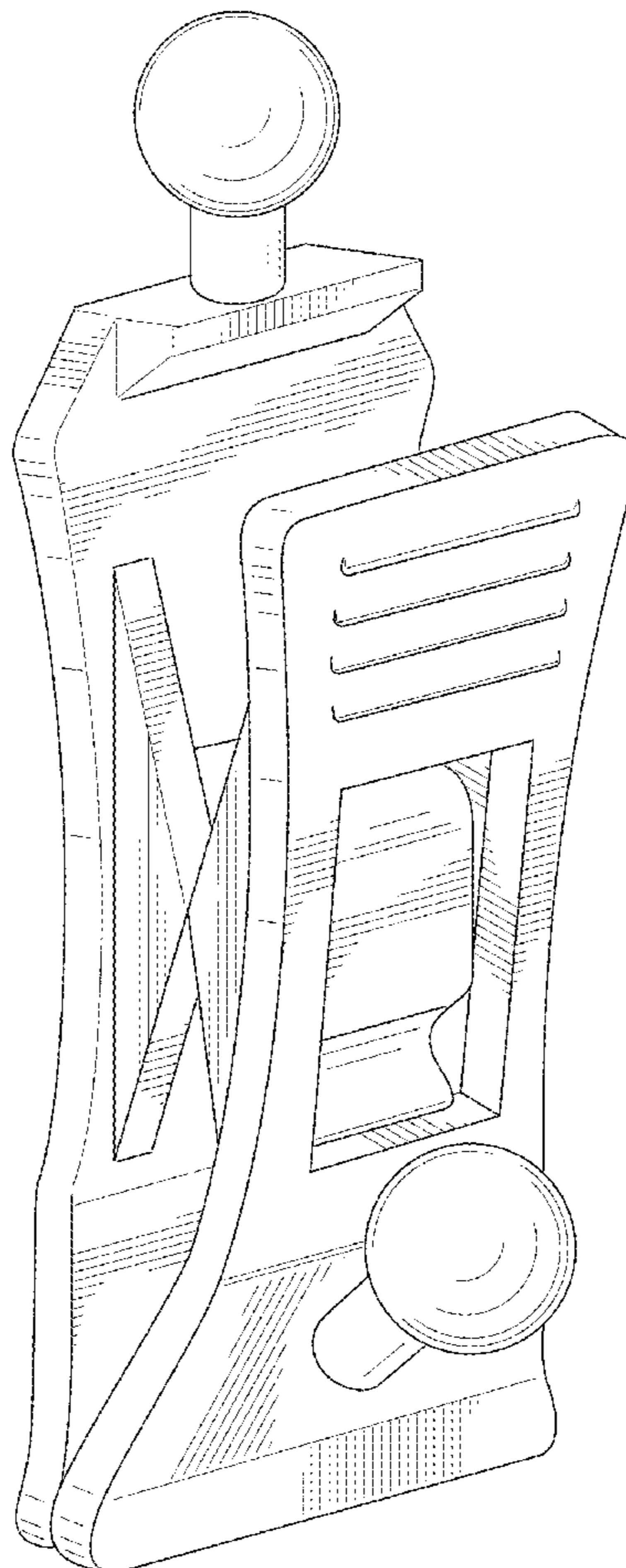
FIG. 6 is a bottom plan view thereof.

(56) **References Cited**

U.S. PATENT DOCUMENTS

2,464,690 A 3/1949 Ketchem  
4,070,011 A 1/1978 Glesser  
4,277,864 A \* 7/1981 Orson, Sr. .... 24/327  
D287,100 S \* 12/1986 Saunders, IV ..... D8/395  
D315,864 S \* 4/1991 Embree et al. .... D8/395

**1 Claim, 6 Drawing Sheets**



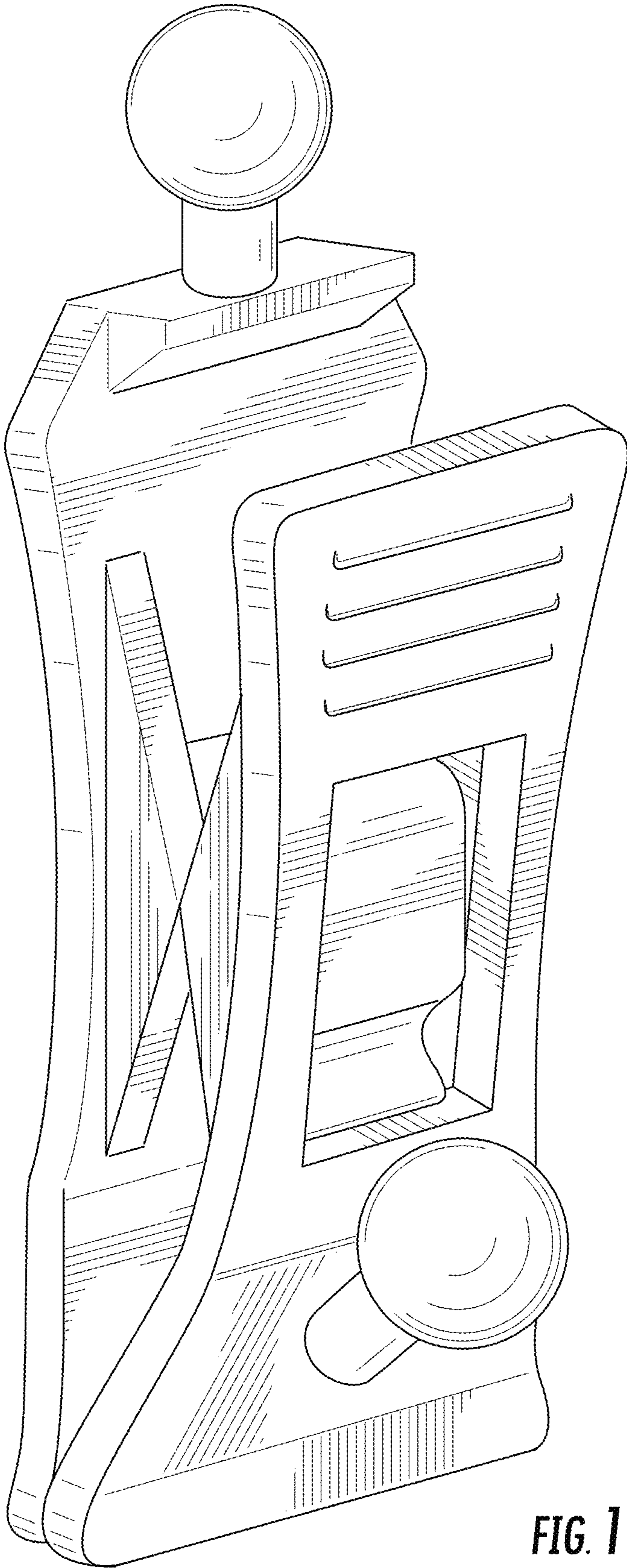


FIG. 1

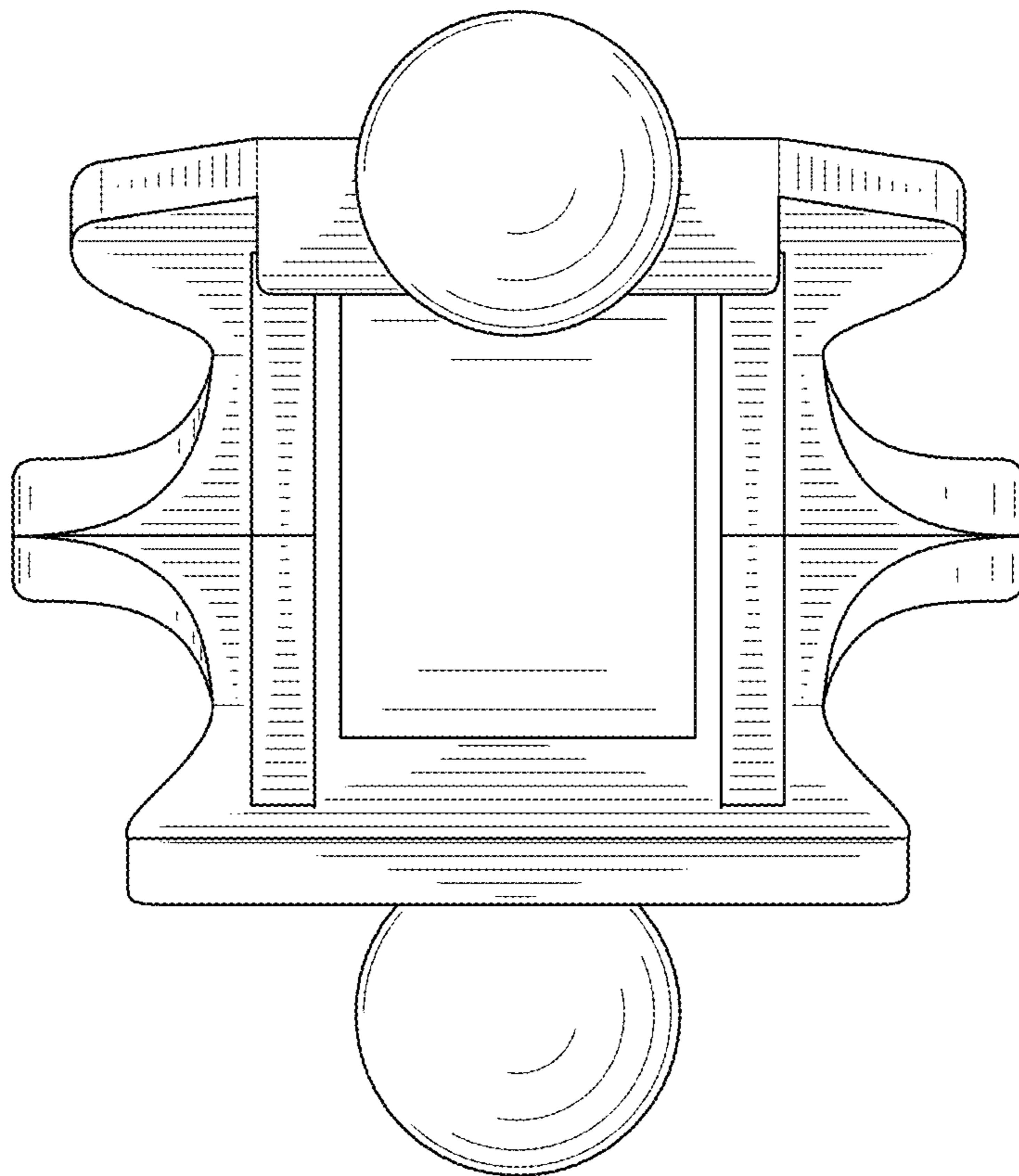
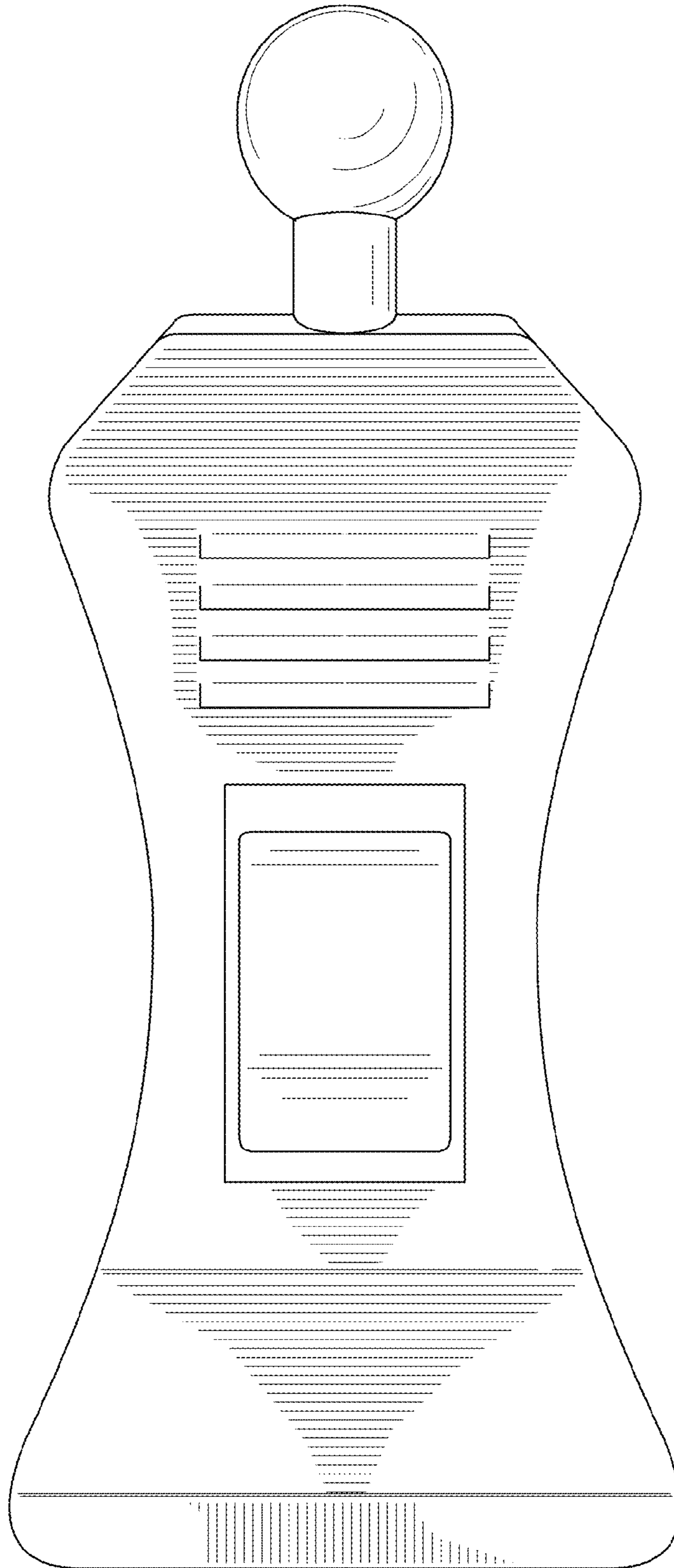


FIG. 2



**FIG. 3**

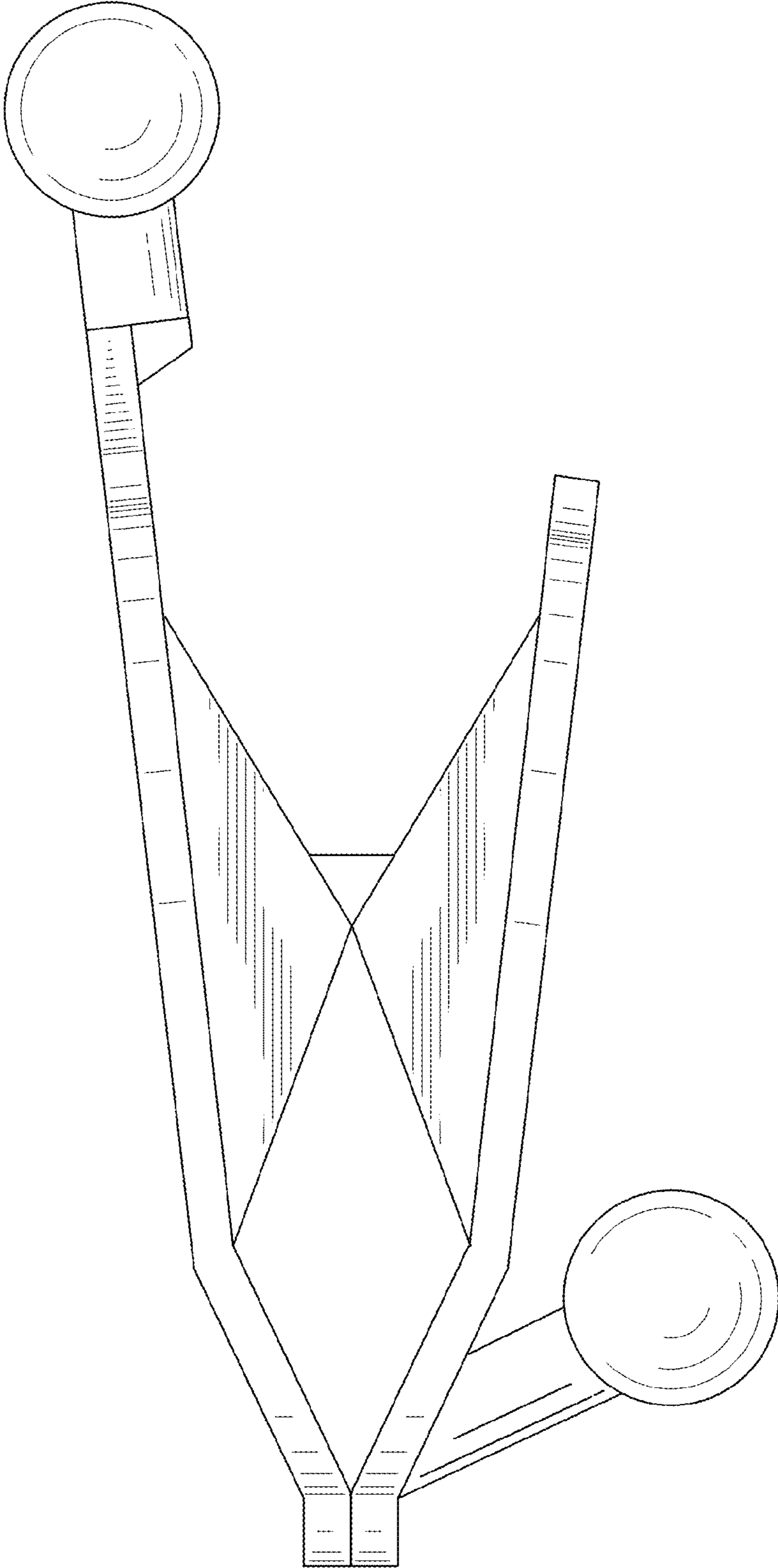


FIG. 4

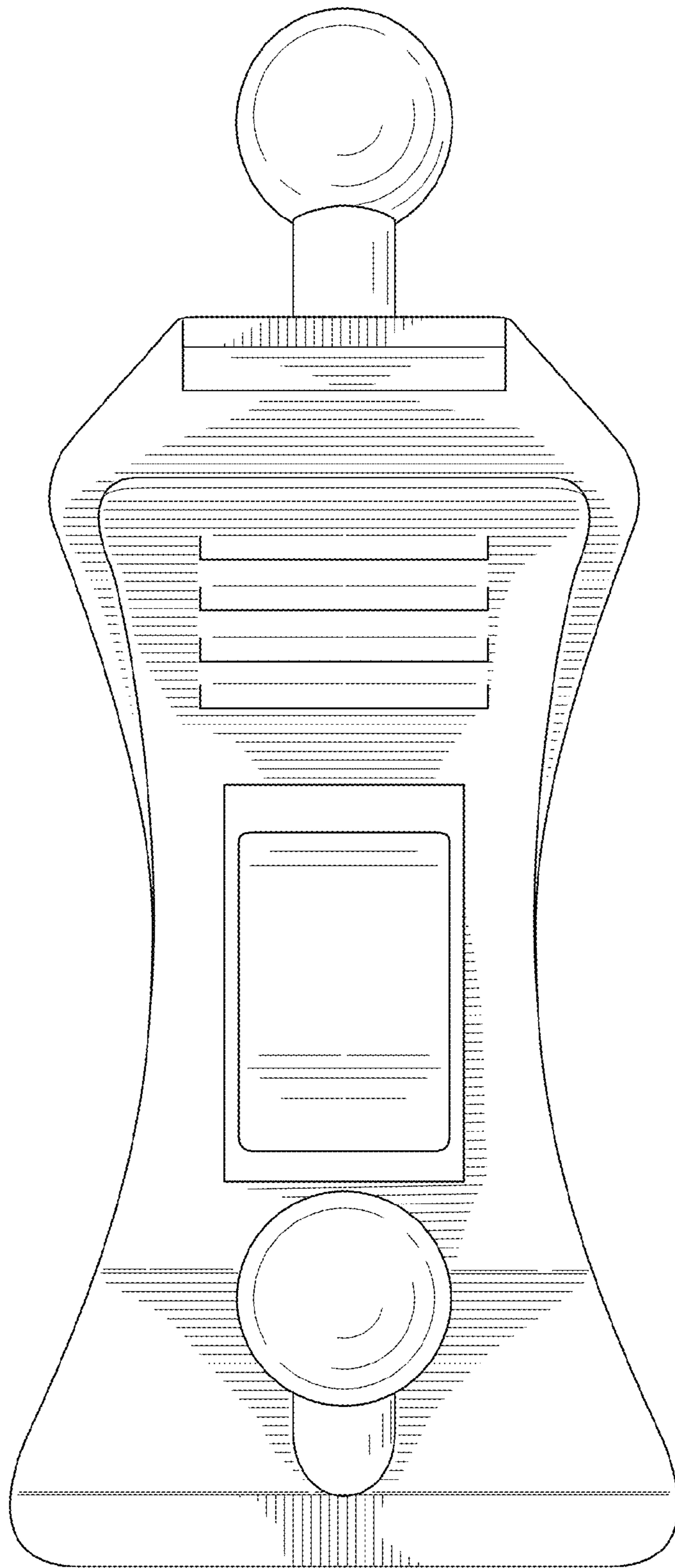


FIG. 5

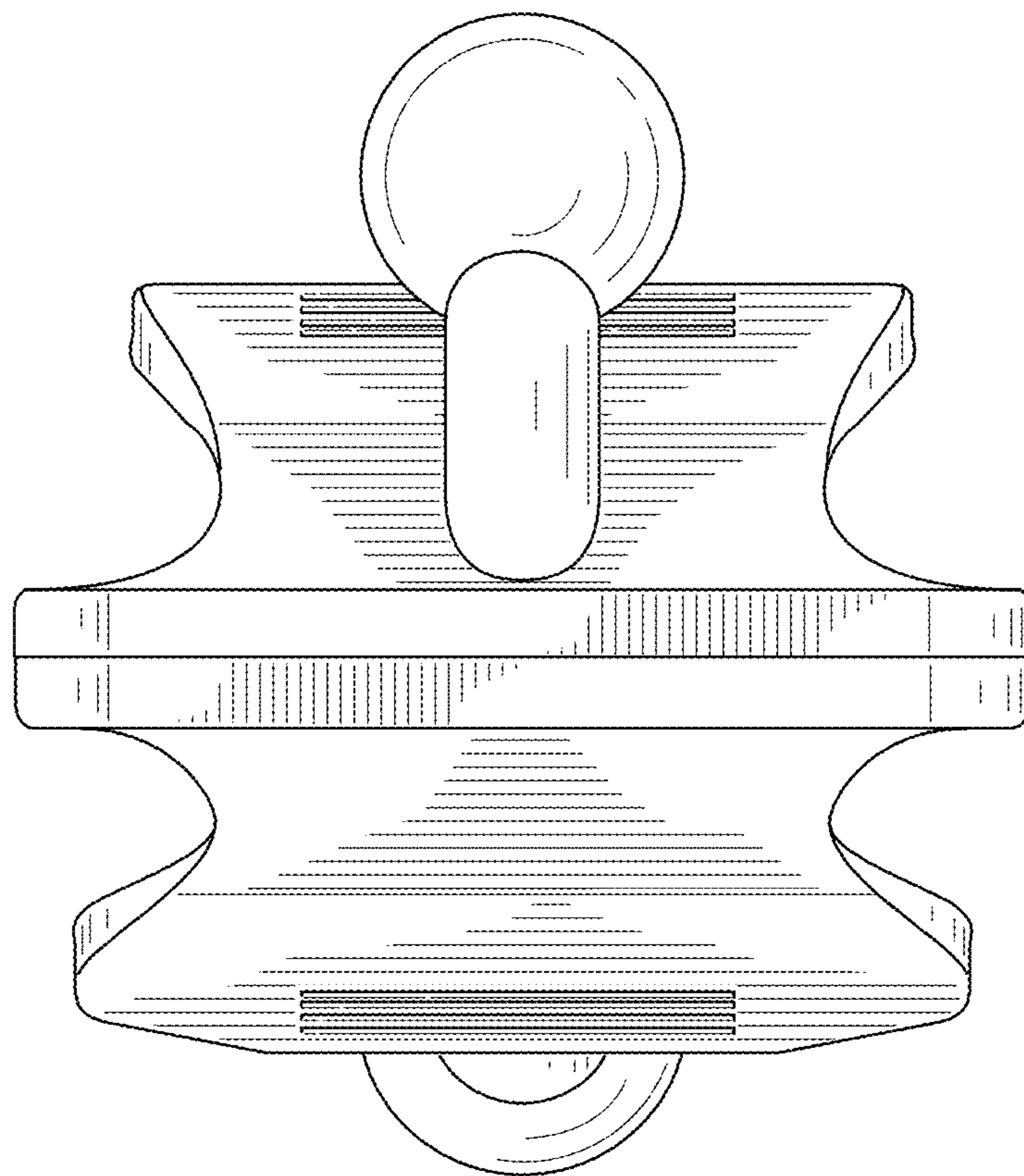


FIG. 6