



US00D724936S

(12) **United States Design Patent**  
**Coronado**

(10) **Patent No.:** **US D724,936 S**

(45) **Date of Patent:** **\*\* Mar. 24, 2015**

(54) **PLASTIC NUT**

(71) Applicant: **Coflex S.A. de C.V.**, Monterrey, Nuevo Leon (MX)

(72) Inventor: **Eduardo Coronado**, San Pedro Garza Garcia (MX)

(73) Assignee: **Coflex S.A. de C.V.** (MX)

(\*\*) Term: **14 Years**

(21) Appl. No.: **29/500,714**

(22) Filed: **Aug. 27, 2014**

(51) **LOC (10) Cl.** ..... **08-08**

(52) **U.S. Cl.**  
USPC ..... **D8/397**

(58) **Field of Classification Search**  
USPC ..... D8/397, 399, 394, 382, 349, 8;  
D15/138; D23/262; 411/432, 108, 353,  
411/404, 410, 919, 147, 957  
See application file for complete search history.

(56) **References Cited**

**U.S. PATENT DOCUMENTS**

D23,917 S *	12/1894	Lane et al.	.....	D8/397
1,029,775 A *	6/1912	Tobin	.....	411/191
D57,407 S *	3/1921	Walker	.....	D23/269
D134,789 S *	1/1943	Gade	.....	D8/397
2,552,794 A *	5/1951	Kimbell	.....	411/427
2,727,551 A *	12/1955	Rees	.....	411/303
D198,713 S *	7/1964	Curtiss	.....	D8/397
D218,674 S *	9/1970	Ernest	.....	D8/387
D220,027 S *	3/1971	Myers	.....	D8/397
D223,187 S *	3/1972	Wing	.....	D8/397
3,702,628 A *	11/1972	Cosenza	.....	411/280
D233,652 S *	11/1974	Wing	.....	D8/397
4,019,550 A *	4/1977	DeHaitre	.....	411/303
D244,908 S *	7/1977	Hatter et al.	.....	D8/397
D244,909 S *	7/1977	Gill	.....	D8/397

D273,561 S *	4/1984	Ozaki et al.	.....	D8/397
D281,953 S *	12/1985	Newman	.....	D8/397
D311,131 S *	10/1990	Saito	.....	D8/397
6,071,052 A *	6/2000	Kerr	.....	411/302
D446,111 S *	8/2001	Hussaini	.....	D8/397
D459,207 S *	6/2002	Miyata	.....	D8/397
D519,076 S *	4/2006	Fox	.....	D13/133
7,063,565 B2 *	6/2006	Ward	.....	439/578
D532,684 S *	11/2006	Barnes	.....	D8/397
D535,259 S *	1/2007	Rodrigues et al.	.....	D13/151
D539,129 S *	3/2007	Griffiths	.....	D8/382
D551,972 S *	10/2007	Jacobs et al.	.....	D9/445
D581,777 S *	12/2008	Huang	.....	D8/397
D601,507 S *	10/2009	Rodrigues	.....	D13/151
D644,673 S *	9/2011	Drenth et al.	.....	D15/138
8,210,783 B2 *	7/2012	Morrison	.....	411/9
D679,988 S *	4/2013	Yamazaki	.....	D8/397
2003/0039527 A1 *	2/2003	Schatz	.....	411/9
2005/0136735 A1 *	6/2005	Rodrigues et al.	.....	439/578

\* cited by examiner

*Primary Examiner* — Cynthia Underwood

(74) *Attorney, Agent, or Firm* — Baker & McKenzie LLP

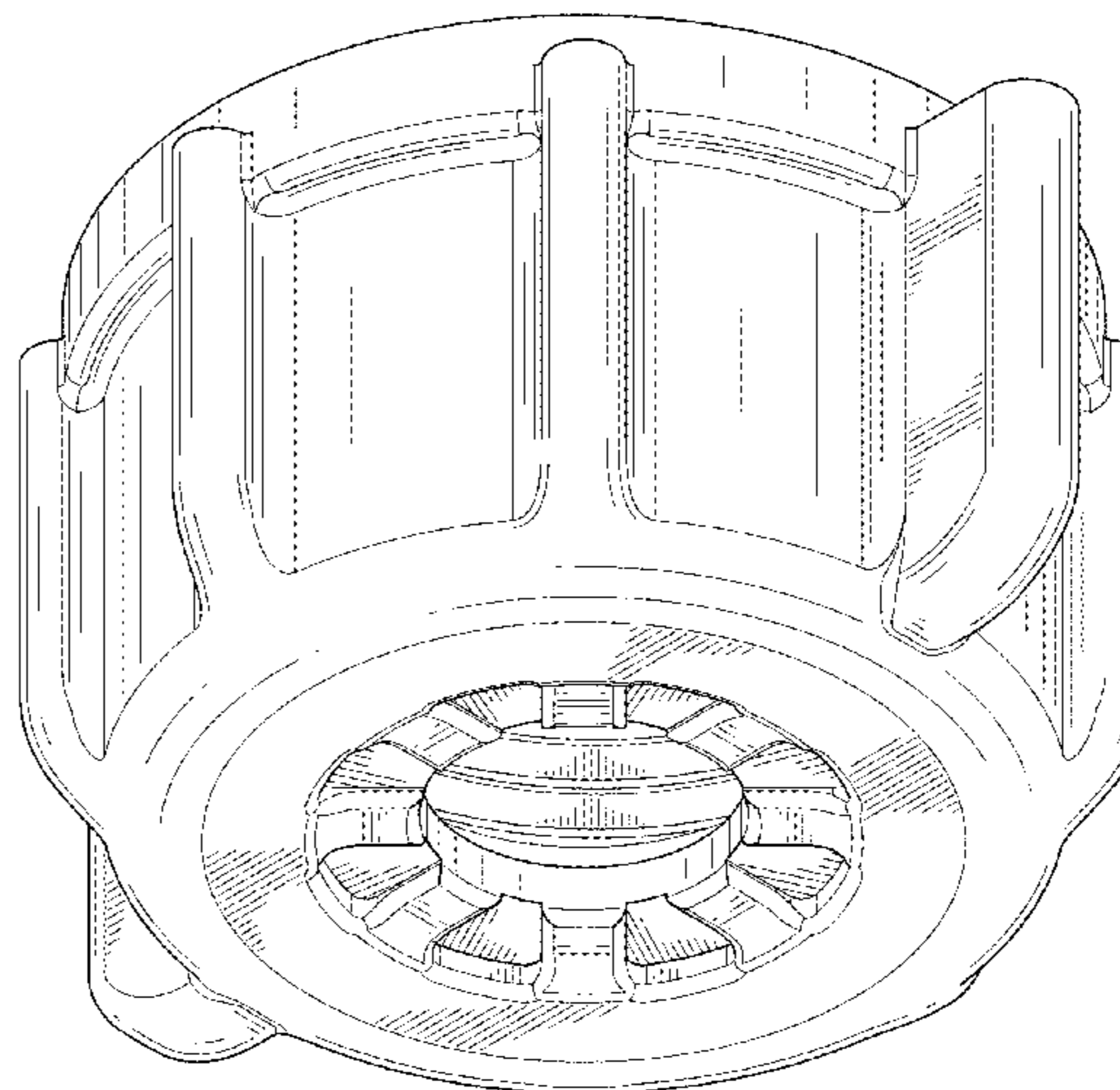
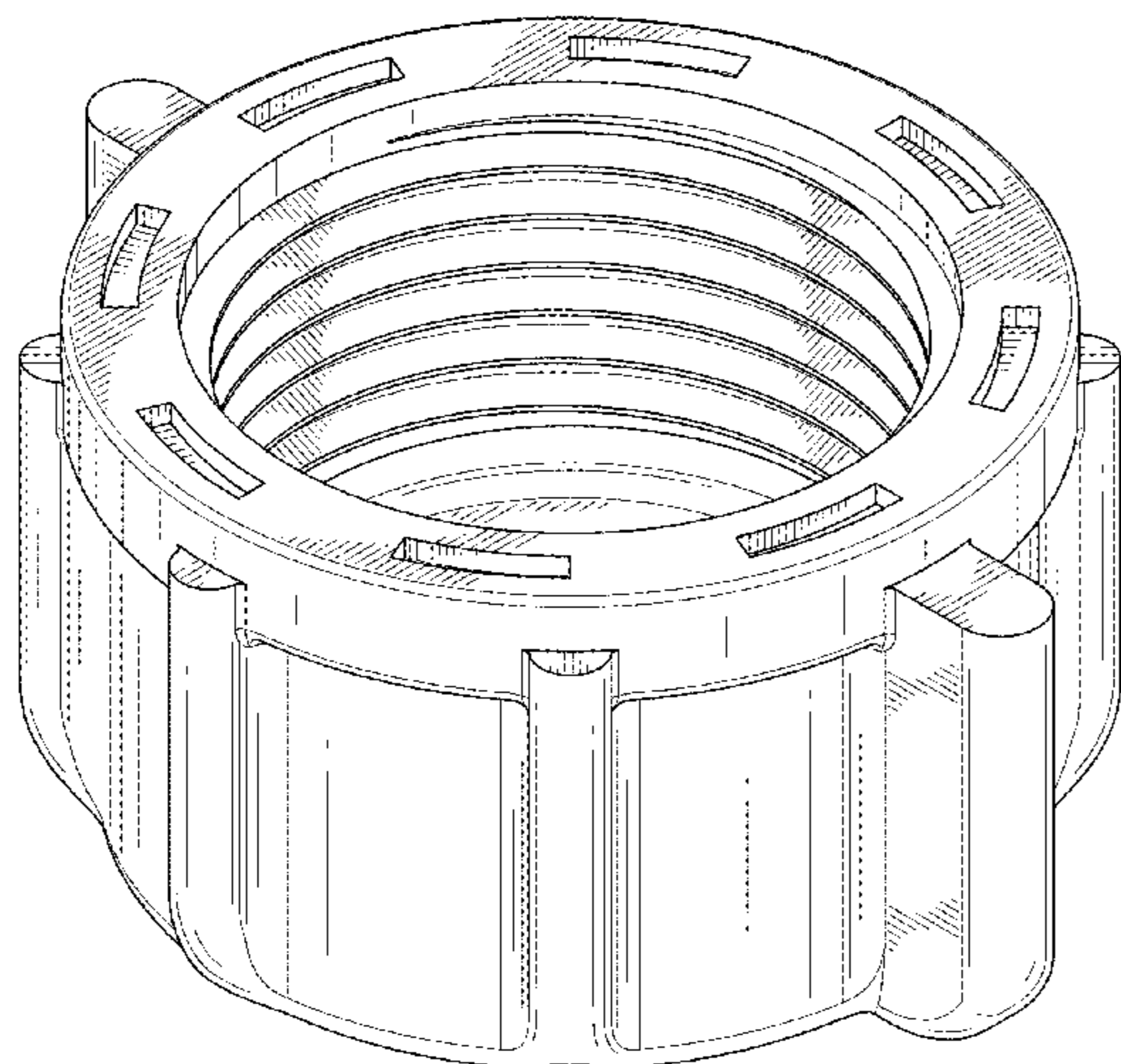
(57) **CLAIM**

The ornamental design for a plastic nut, as shown and described.

**DESCRIPTION**

FIG. 1 is a top perspective view of a plastic nut in accordance with my design;  
FIG. 2 is a front view of the plastic nut shown in FIG. 1;  
FIG. 3 is a back view of the plastic nut shown in FIG. 1;  
FIG. 4 is a side view of the plastic nut shown in FIG. 1;  
FIG. 5 is an opposite side view of the plastic nut shown in FIG. 1;  
FIG. 6 is a top view of the plastic nut shown in FIG. 1;  
FIG. 7 is a bottom view of the plastic nut shown in FIG. 1; and,  
FIG. 8 is a bottom perspective view of the plastic nut shown in FIG. 1.

**1 Claim, 6 Drawing Sheets**



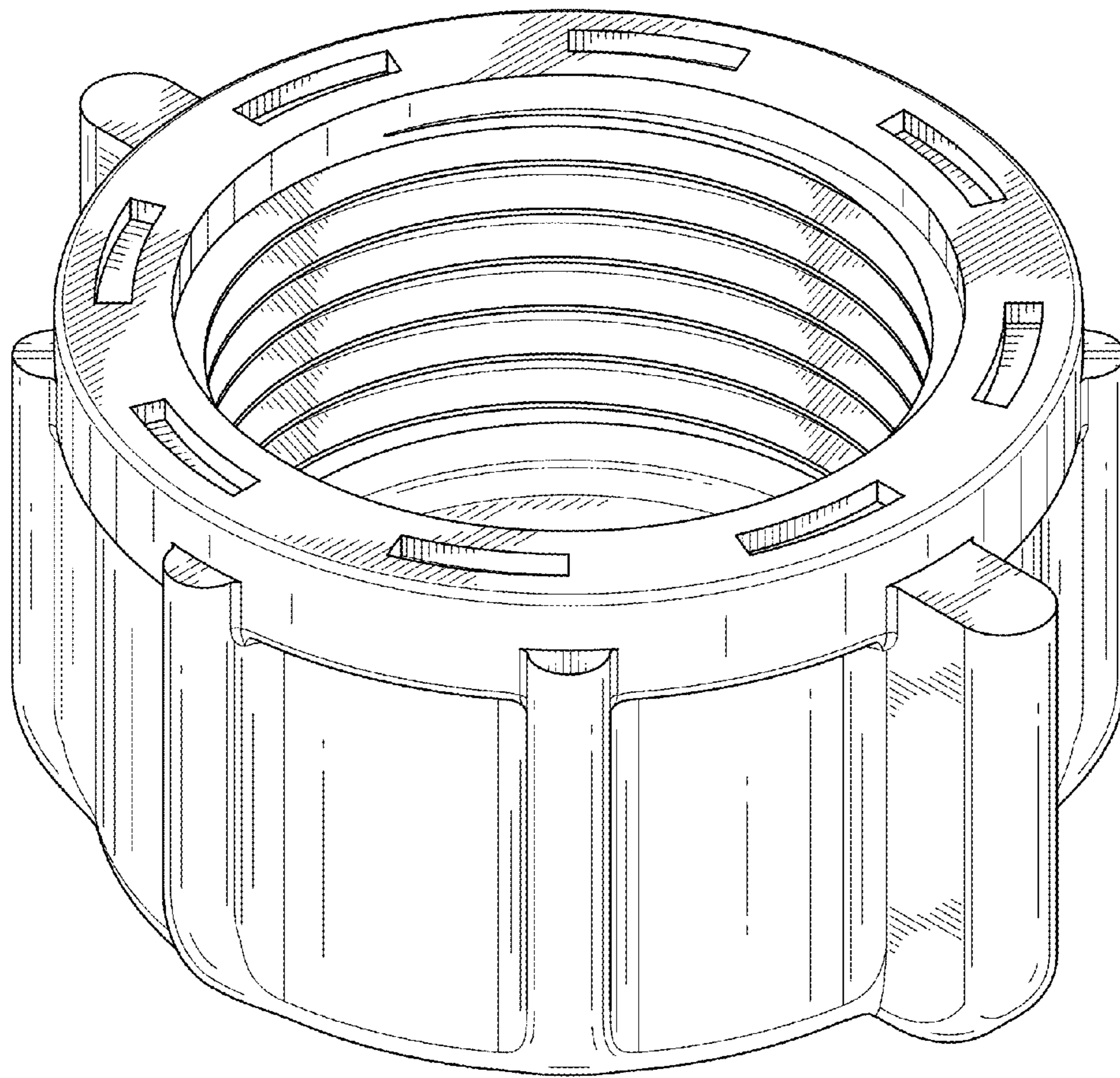


FIG. 1

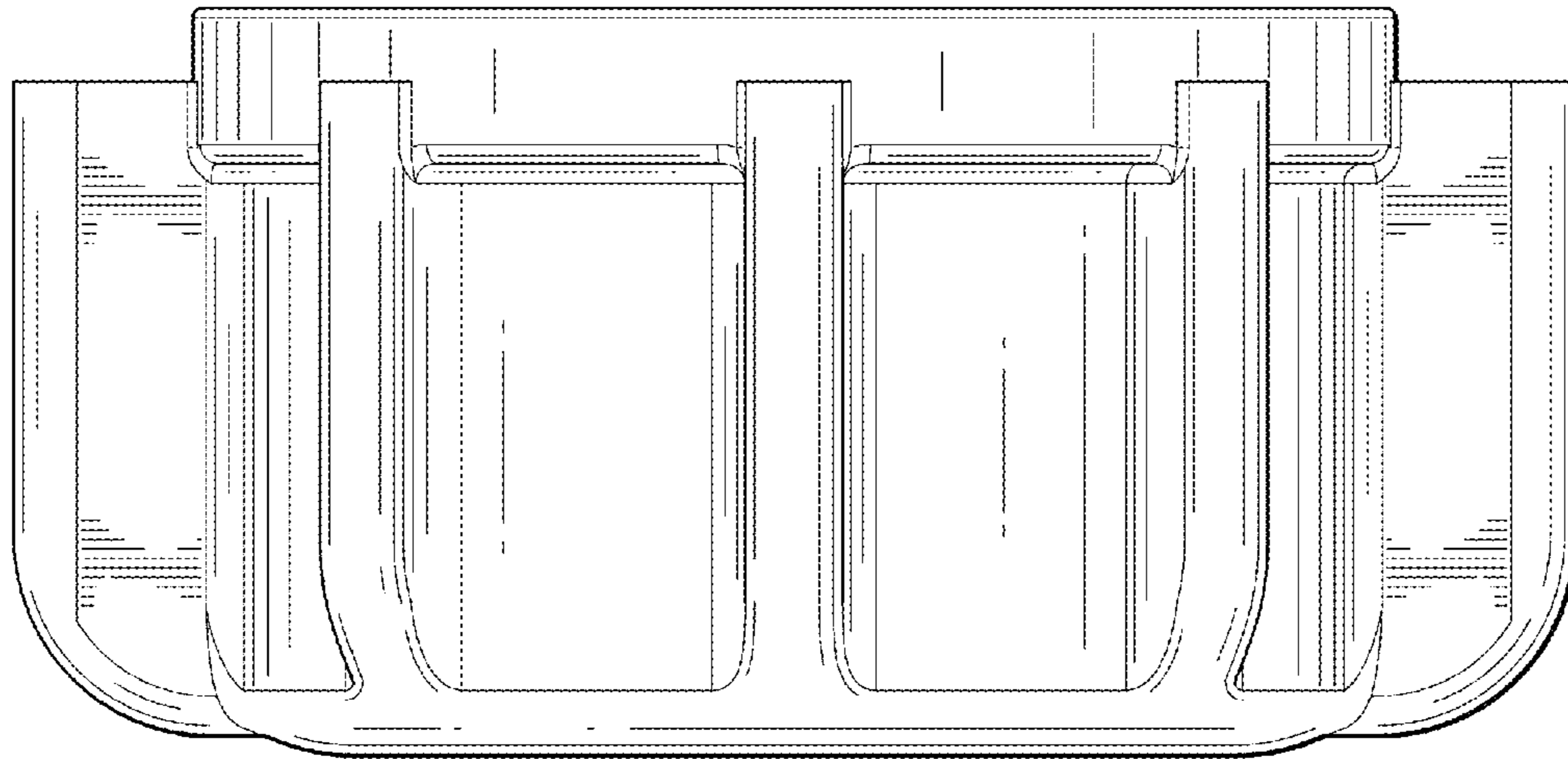


FIG. 2

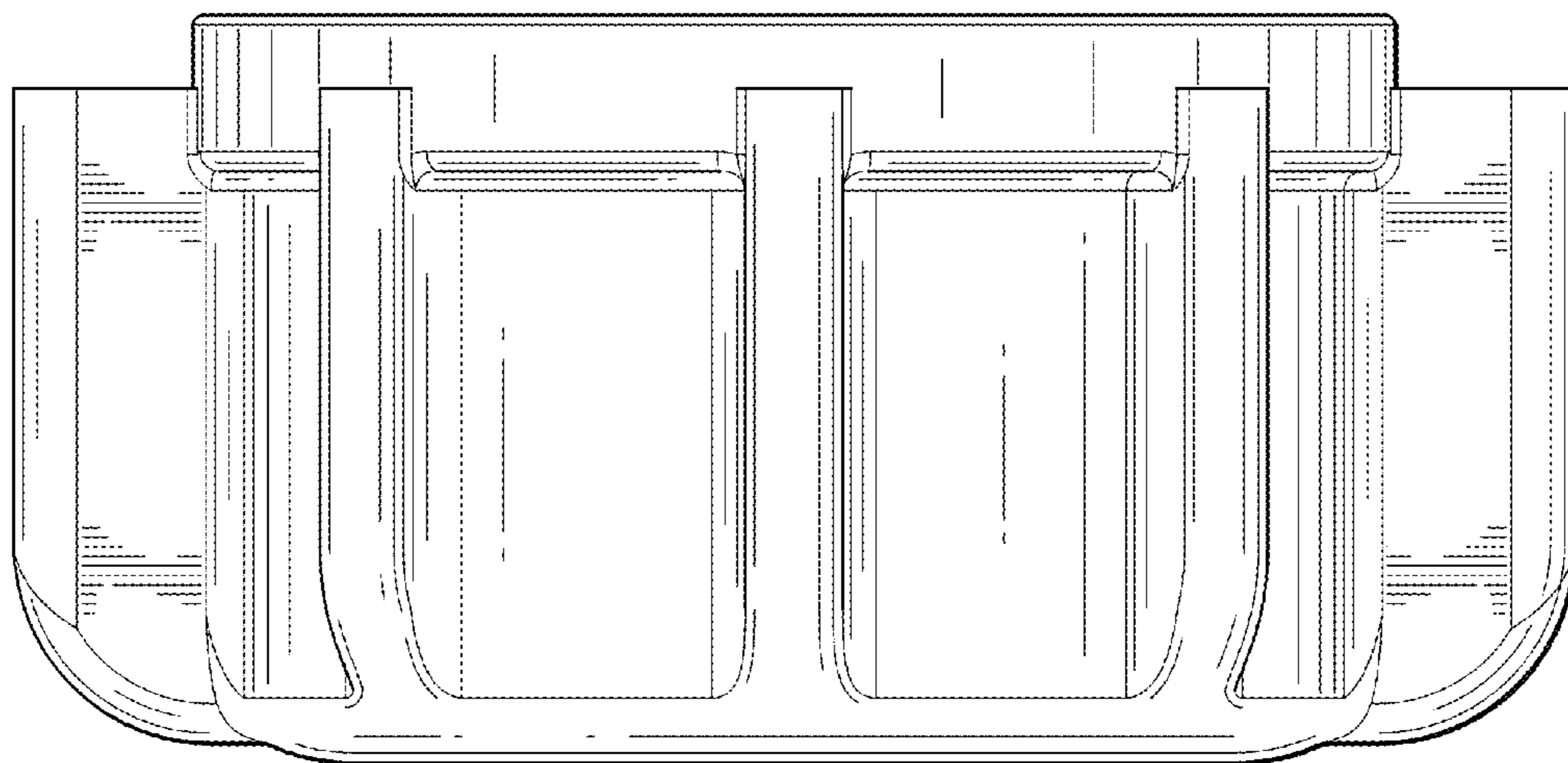


FIG. 3

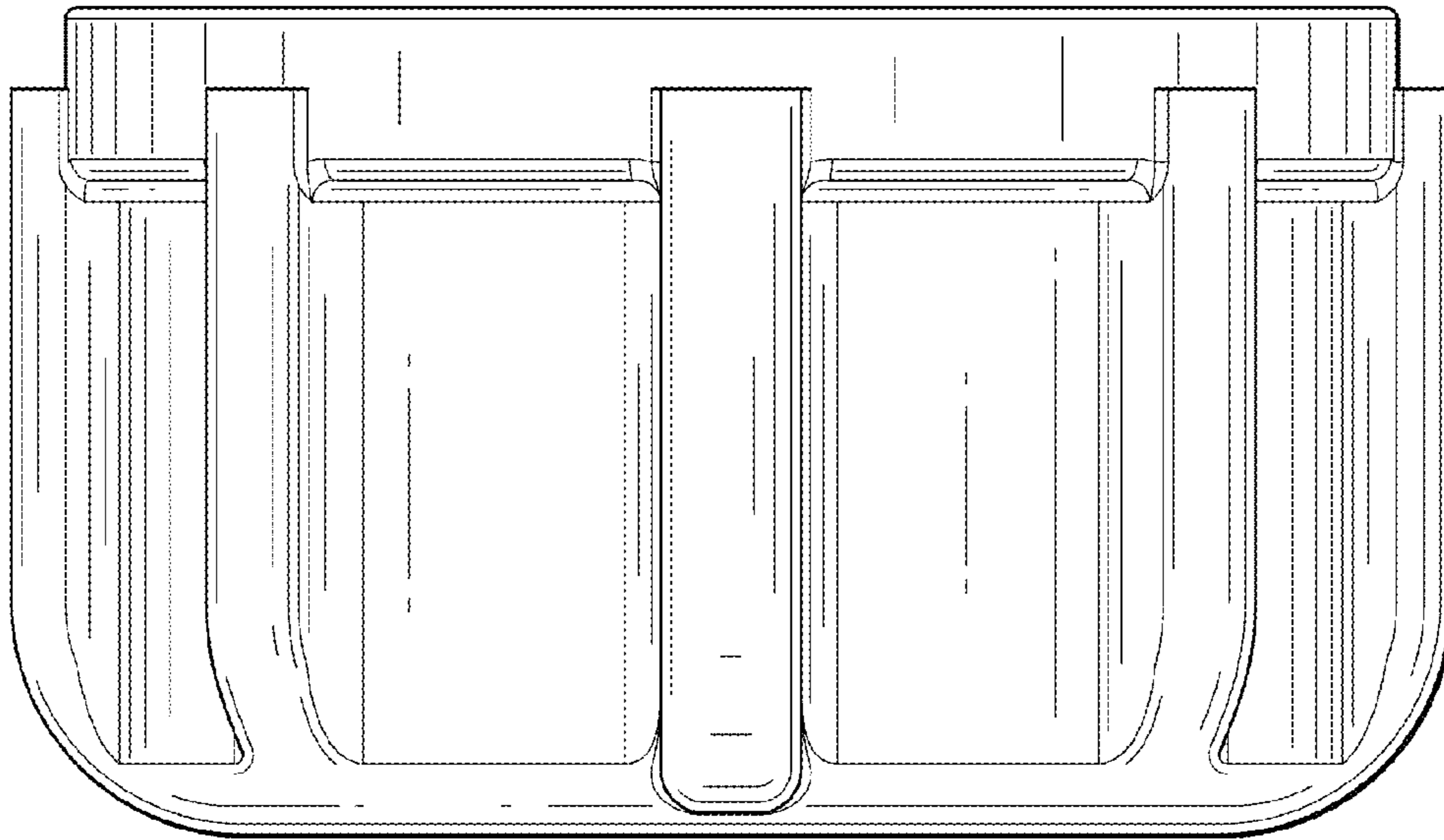


FIG. 4

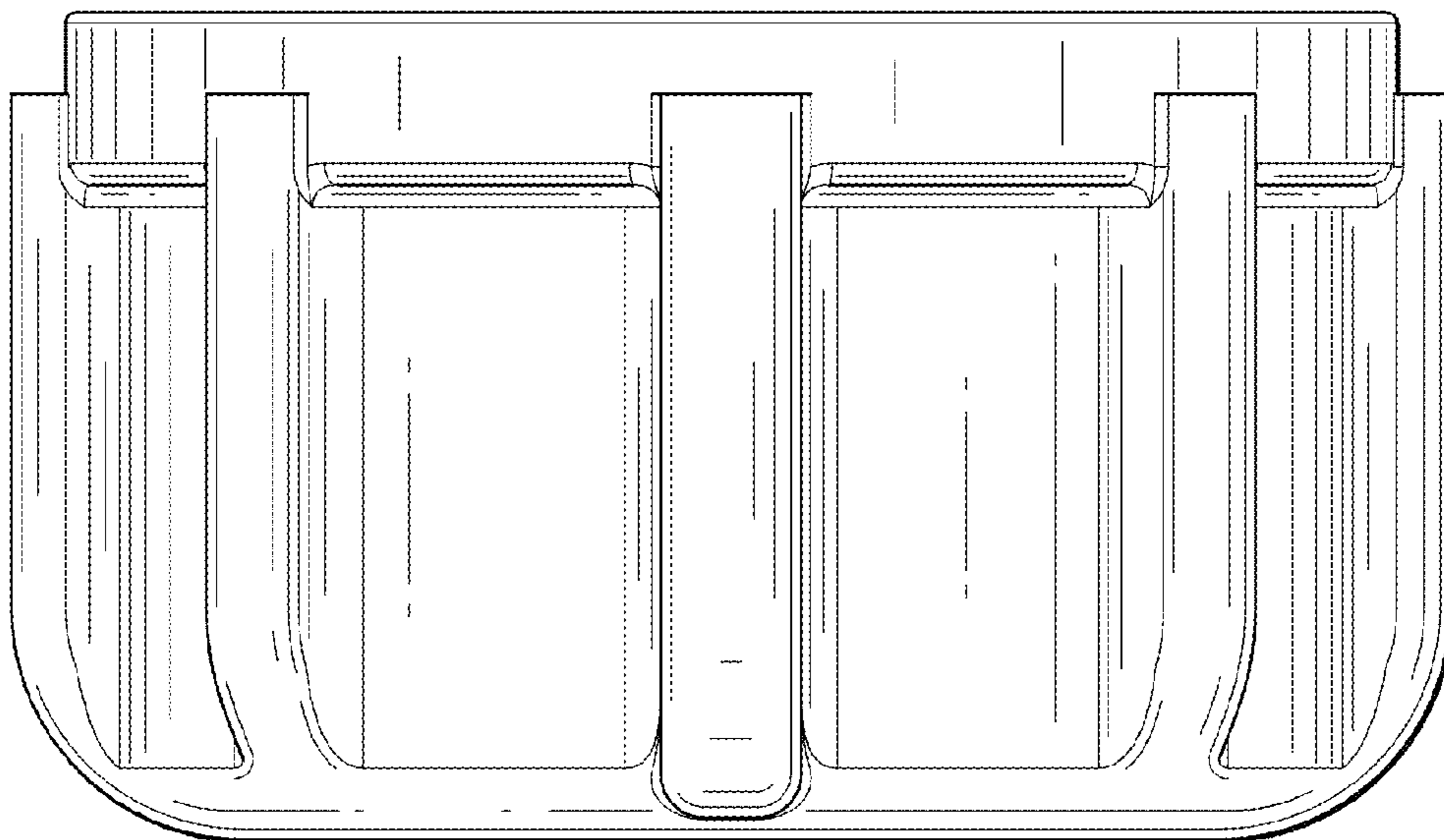


FIG. 5

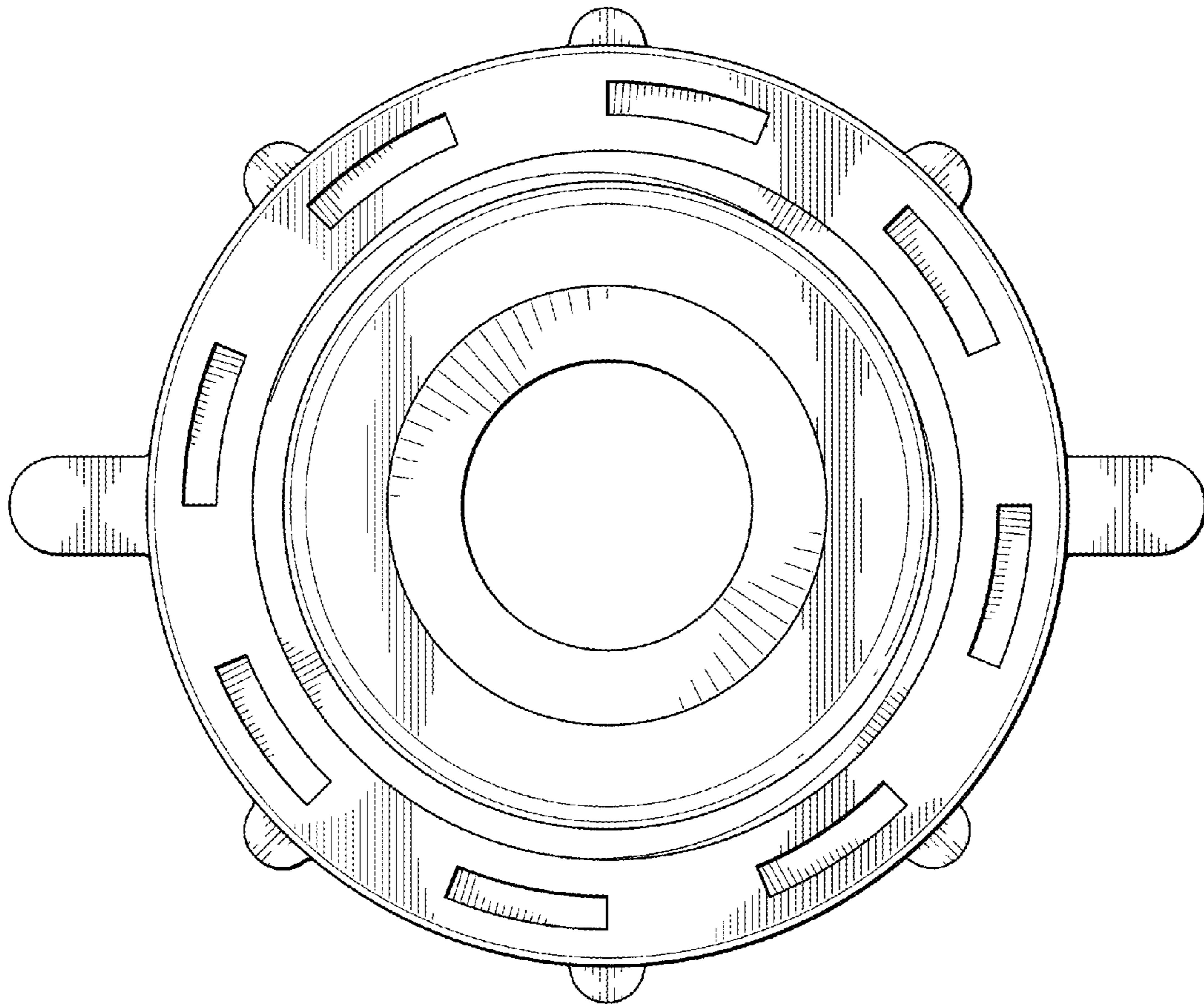


FIG. 6

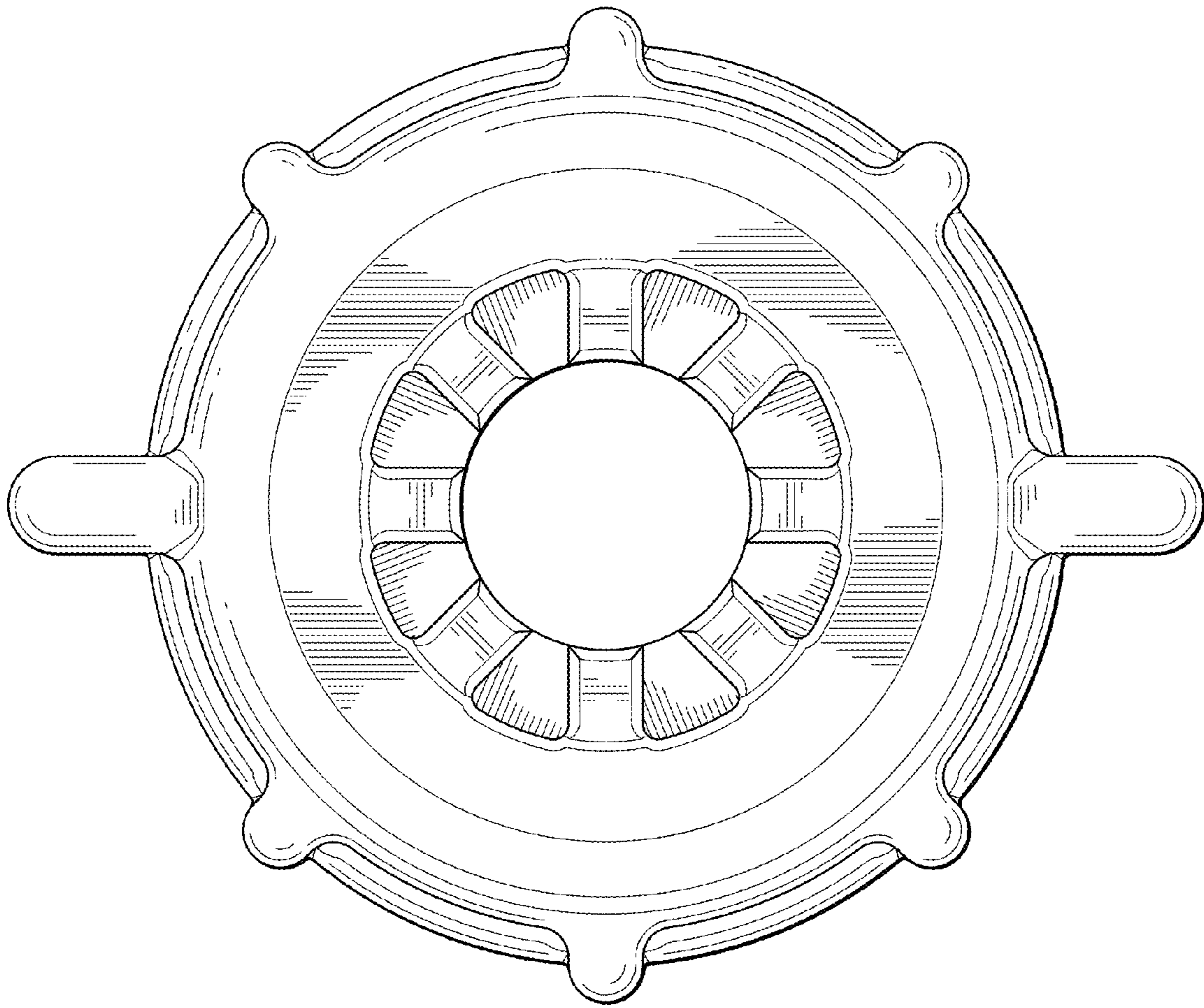


FIG. 7

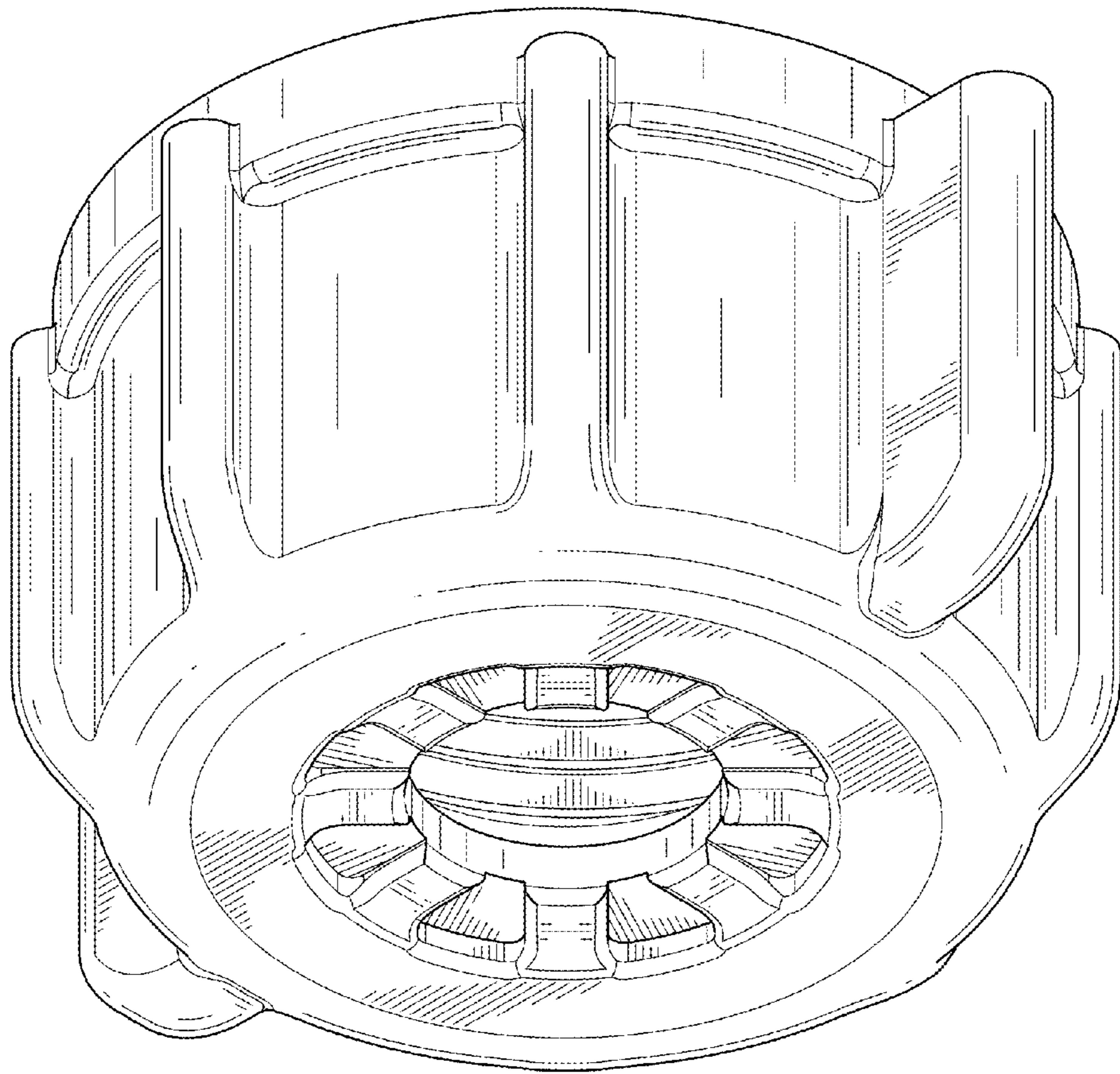


FIG. 8