



US00D724935S

(12) **United States Design Patent**
Warner

(10) **Patent No.:** **US D724,935 S**
(45) **Date of Patent:** **** Mar. 24, 2015**

- (54) **CORD TIE**
- (71) Applicant: **Semco Plastic Company**, St. Louis, MO (US)
- (72) Inventor: **Scott Warner**, Lehi, UT (US)
- (73) Assignee: **Semco Plastic Company**, St. Louis, MO (US)

(**) Term: **14 Years**
(21) Appl. No.: **29/501,156**

- (22) Filed: **Sep. 2, 2014**
- (51) **LOC (10) Cl.** **08-05**
- (52) **U.S. Cl.**
USPC **D8/356**
- (58) **Field of Classification Search**
USPC D8/356, 354, 349; 220/575;
206/521.15; 24/302, 16 R, 306, 17 R;
439/501; 381/374; D14/217, 205
See application file for complete search history.

(56) **References Cited**

U.S. PATENT DOCUMENTS

D259,242	S *	5/1981	Gilb	D8/373
6,317,933	B1 *	11/2001	Suenaga	24/16 R
6,676,674	B1 *	1/2004	Dudai	606/151
7,334,354	B2 *	2/2008	Foxen et al.	36/89
7,356,888	B2 *	4/2008	Chao et al.	24/442
7,624,480	B2 *	12/2009	Coronel	24/306
7,793,892	B1 *	9/2010	Bowen et al.	248/49
7,914,475	B2 *	3/2011	Wyatt et al.	602/21
D666,076	S *	8/2012	Muratore et al.	D8/349

8,458,864	B1 *	6/2013	Patton et al.	24/306
D707,831	S *	6/2014	Klutts	D24/190
D710,969	S *	8/2014	Bradford et al.	D23/209
D717,132	S *	11/2014	Van Dyke	D7/708
2001/0013277	A1 *	8/2001	Galkiewicz et al.	100/2
2002/0078536	A1 *	6/2002	Martin et al.	24/450
2003/0110596	A1 *	6/2003	Graham et al.	24/16 R
2004/0167456	A1 *	8/2004	Kingsford et al.	602/48
2006/0032032	A1 *	2/2006	Cheng	24/306

* cited by examiner

Primary Examiner — Cynthia Underwood
(74) *Attorney, Agent, or Firm* — Workman Nydegger

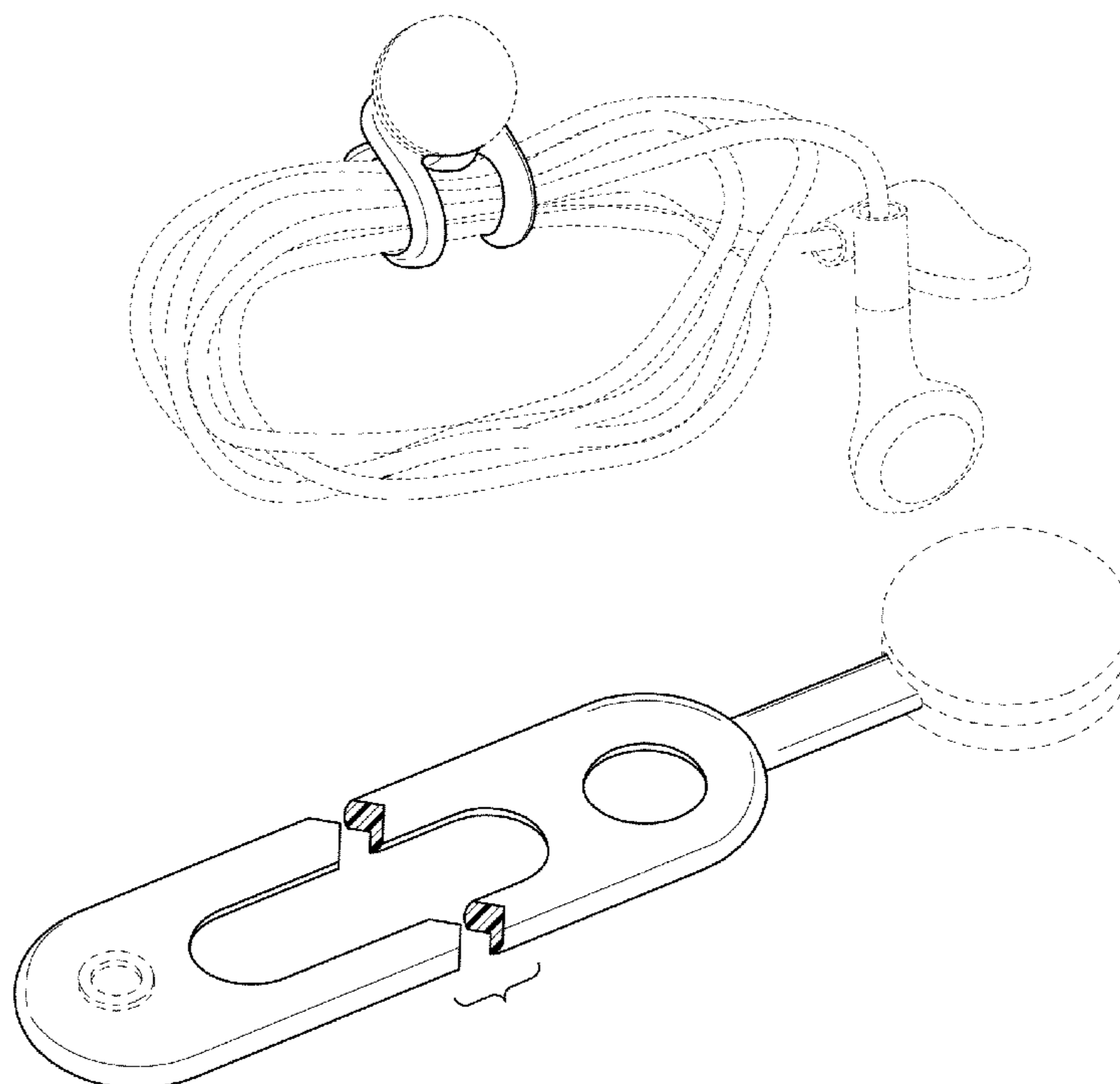
(57) **CLAIM**

The ornamental design for a cord tie, as shown and described.

DESCRIPTION

FIG. 1 is a perspective view of a cord tie employing my design, and shown in a first in-use configuration;
 FIG. 2 is a perspective view thereof shown in a second in-use configuration;
 FIG. 3 is an is a perspective view thereof, shown enlarged in scale;
 FIG. 4 is a front elevational view thereof;
 FIG. 5 is a rear elevational view thereof;
 FIG. 6 is a left elevational view thereof;
 FIG. 7 is a right elevational view thereof;
 FIG. 8 is top plan view thereof; and,
 FIG. 9 is a bottom plan view thereof.
 The cord tie is shown with a symbolic break in its length. The appearance of any portion of the article between the break lines forms no part of the claimed design. The broken lines are representative of portions of the item not included in the claim and in FIGS. 1 and 2 they represent an environment of use.

1 Claim, 2 Drawing Sheets



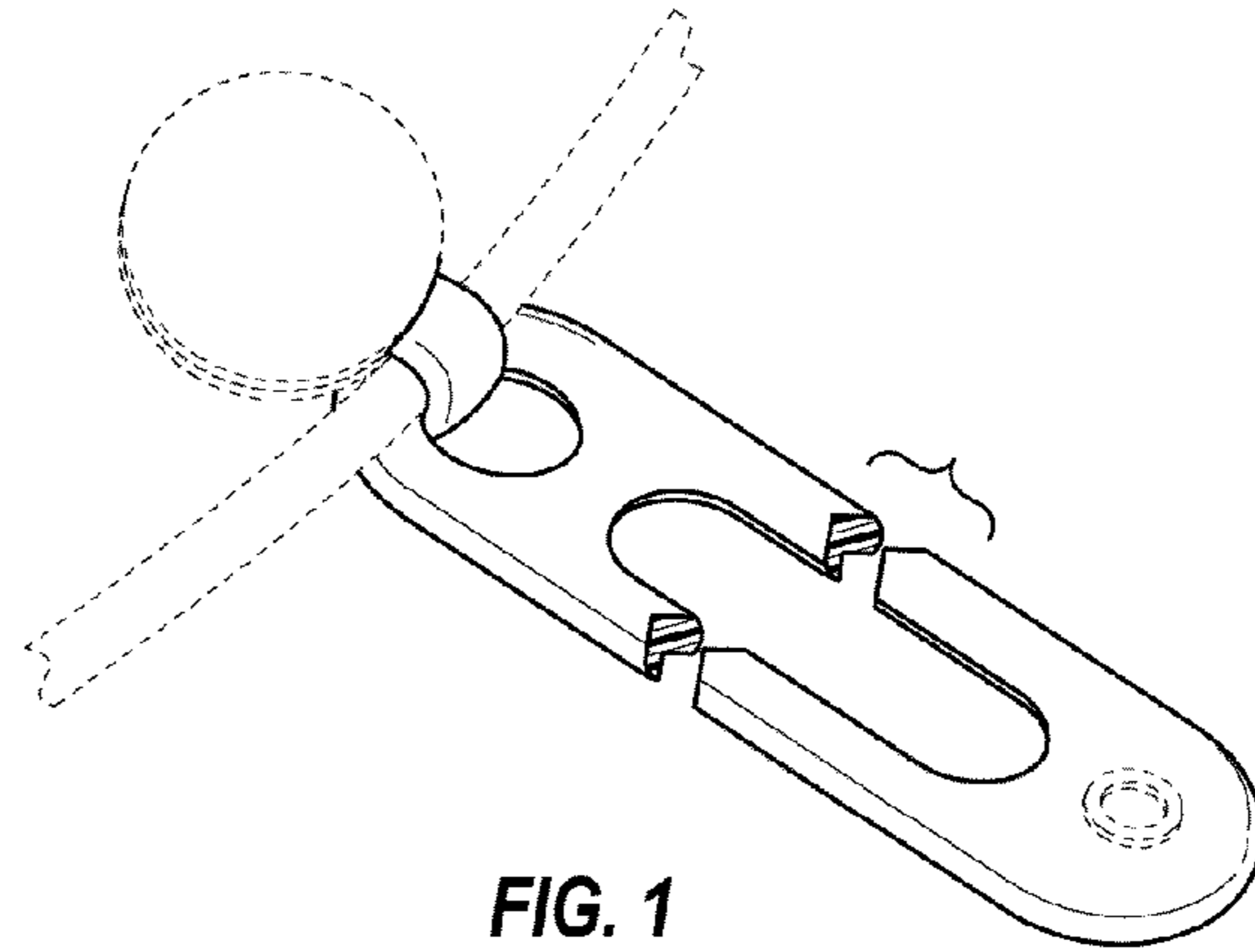


FIG. 1

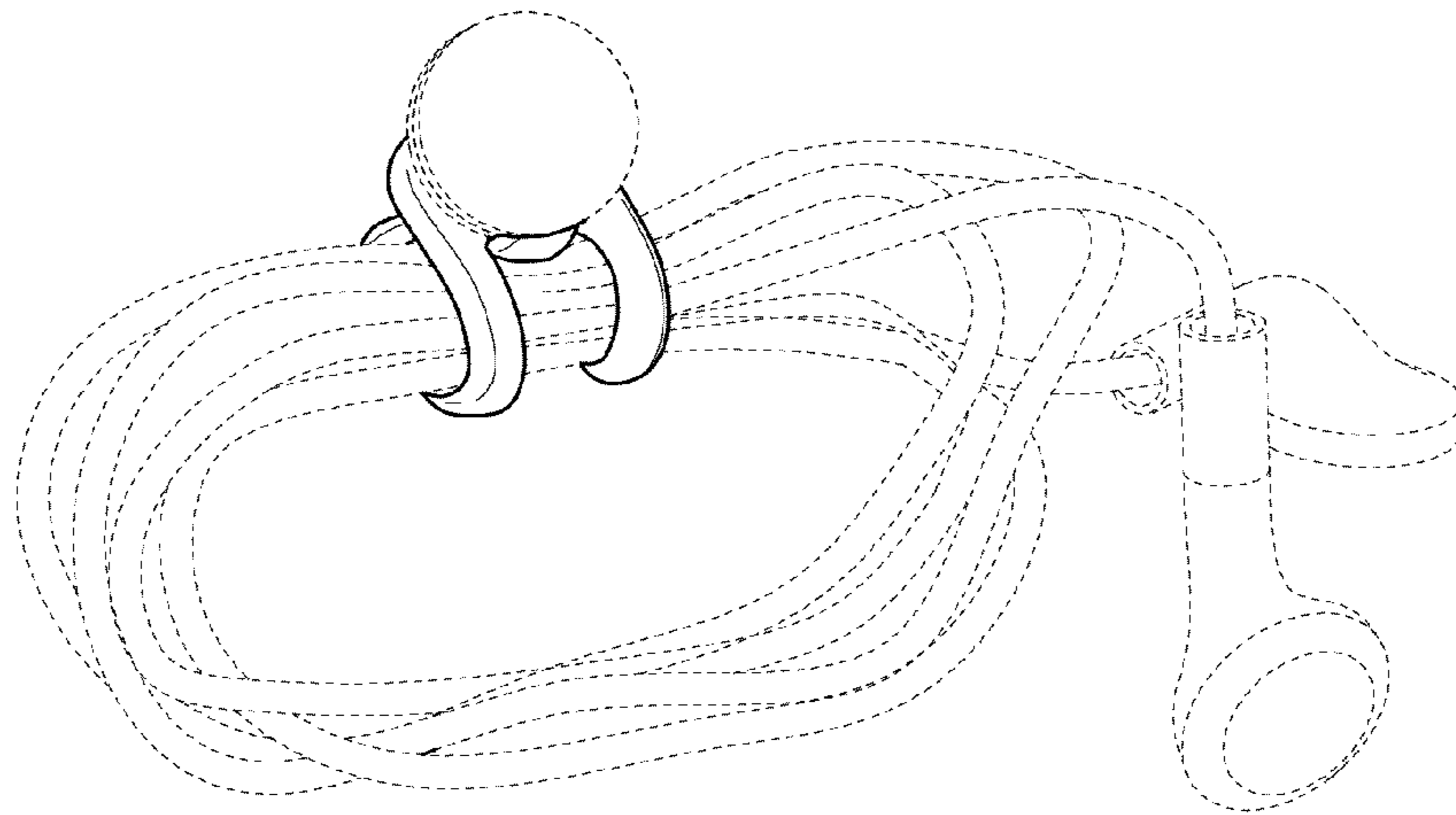


FIG. 2

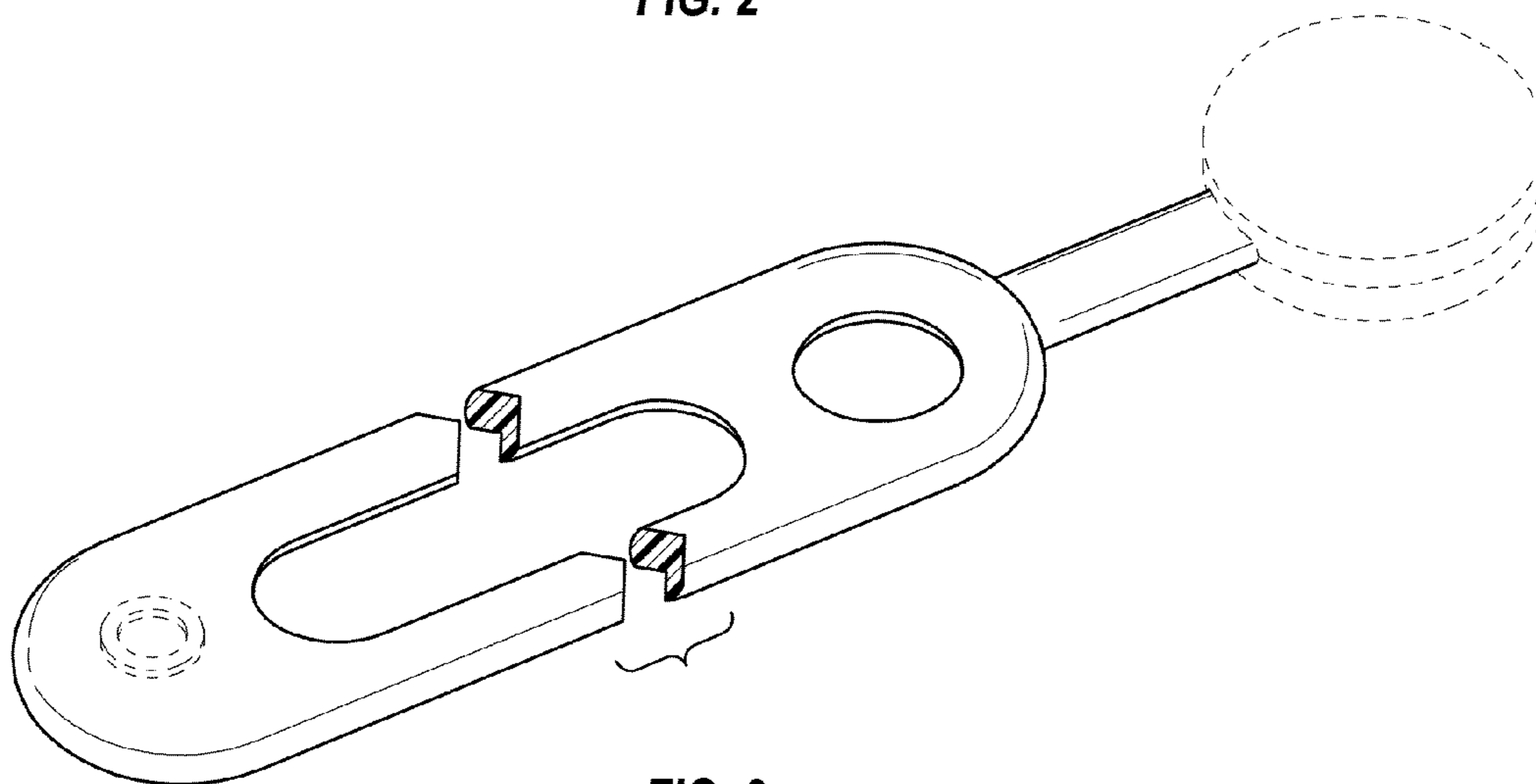


FIG. 3

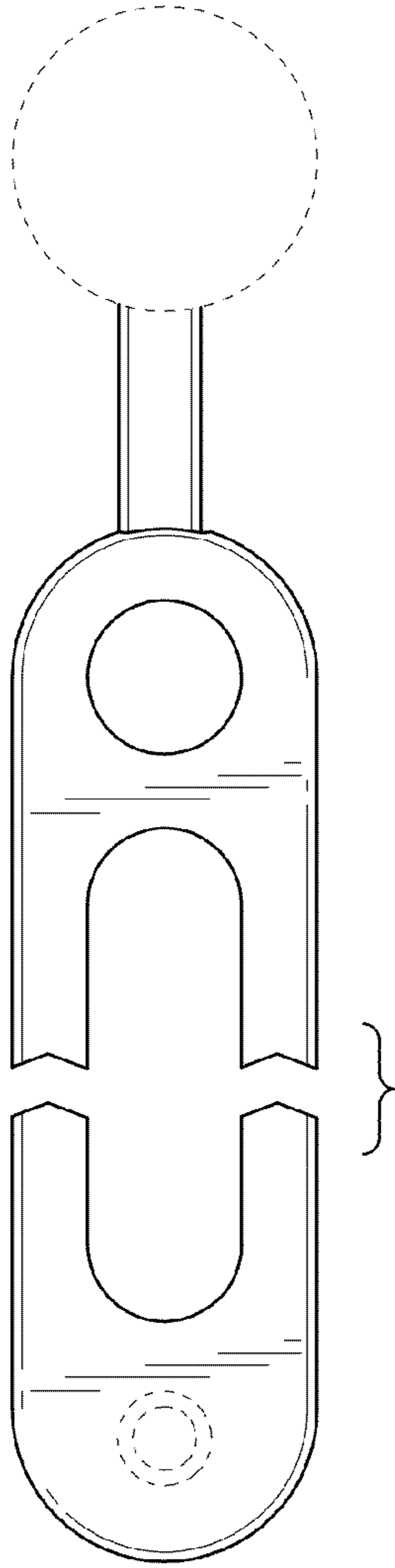


FIG. 4

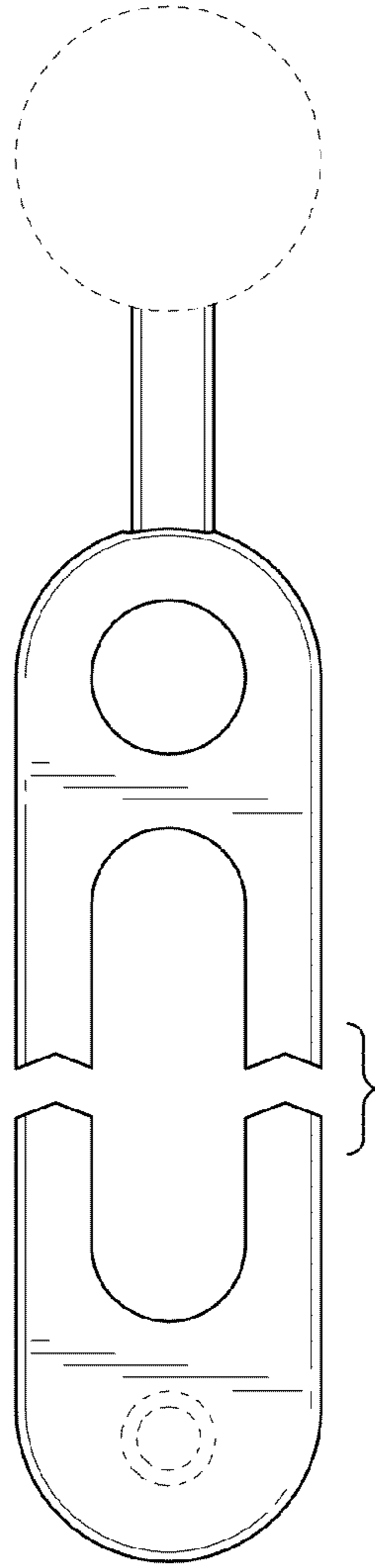


FIG. 5

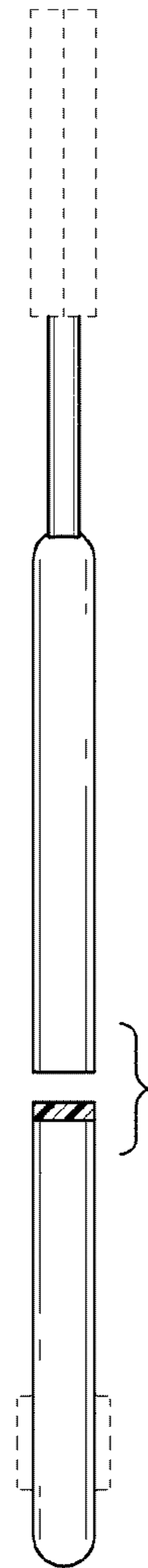


FIG. 6

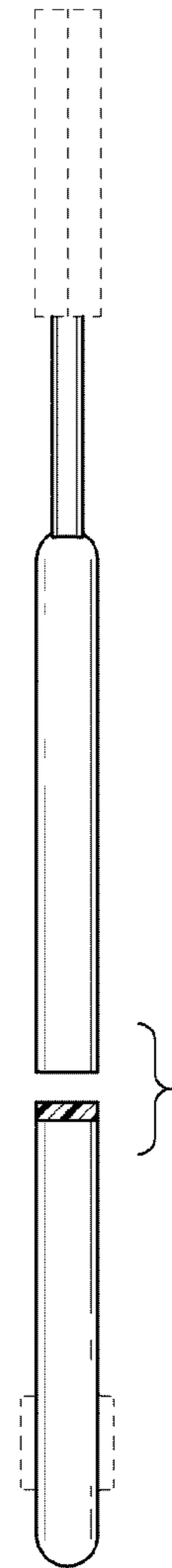


FIG. 7

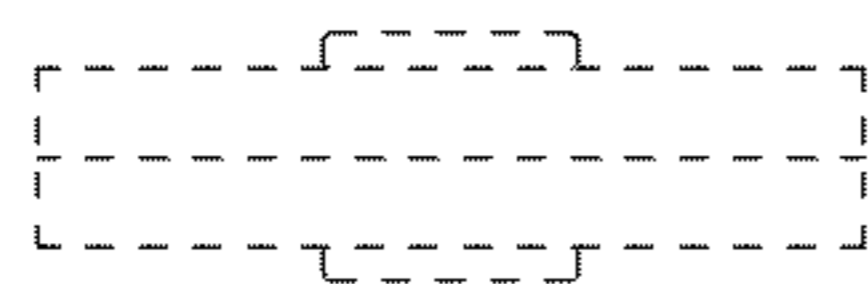


FIG. 8

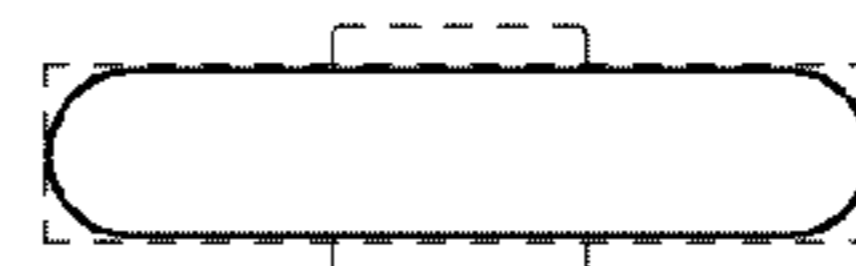


FIG. 9