



US00D724934S

(12) **United States Design Patent**
Lu

(10) **Patent No.:** **US D724,934 S**
(45) **Date of Patent:** **** Mar. 24, 2015**

(54) **HOSE RACK**

(71) Applicant: **James Lu**, Alpharetta, GA (US)

(72) Inventor: **James Lu**, Alpharetta, GA (US)

(73) Assignees: **International Business Corporation**,
Alpharetta, GA (US); **Progressive**
Global Enterprises Co., Ltd., Taipei
(TW)

(**) Term: **14 Years**

(21) Appl. No.: **29/467,544**

(22) Filed: **Sep. 20, 2013**

(51) **LOC (10) Cl.** **08-05**

(52) **U.S. Cl.**

USPC **D8/356**

(58) **Field of Classification Search**

CPC B65H 75/366; B65H 75/4478

USPC D8/1, 354, 355, 373, 380, 381, 349,

D8/356, 358, 359, 499; 211/1, 85.5, 86.01,

211/87.01; 239/195; 248/75, 78, 89, 90,

248/682; 137/355.16, 355.18; 242/400.1

See application file for complete search history.

(56) **References Cited**

U.S. PATENT DOCUMENTS

1,252,699	A *	1/1918	Johnson	137/355.18
D243,488	S *	3/1977	Linse	D8/356
5,419,362	A *	5/1995	Blackaby	137/355.16
6,059,215	A *	5/2000	Finnis	242/400.1
6,079,675	A *	6/2000	Hsu	248/75
D442,444	S *	5/2001	Bowling et al.	D8/1
D462,254	S *	9/2002	Wright et al.	D8/356

D462,603	S *	9/2002	Wright et al.	D8/356
D554,979	S *	11/2007	Hsu	D8/356
2001/0032910	A1 *	10/2001	Brueske	248/80

FOREIGN PATENT DOCUMENTS

KR 101047688 B1 * 7/2011 B65H 75/366

* cited by examiner

Primary Examiner — Sheryl Lane

Assistant Examiner — Ieisha Price

(74) *Attorney, Agent, or Firm* — Rodgers & Rodgers

(57) **CLAIM**

The ornamental design for a hose rack, as shown and described.

DESCRIPTION

FIG. 1 is a perspective view of a hose rack showing my new design;

FIG. 2 is a bottom perspective view thereof;

FIG. 3 is a rear elevational view thereof, the front being a mirror image thereof;

FIG. 4 is a left-side elevational view thereof;

FIG. 5 is a top plan view thereof;

FIG. 6 is a bottom plan view thereof;

FIG. 7 is a perspective view of a second embodiment of FIG. 1;

FIG. 8 is a bottom perspective view thereof;

FIG. 9 is a top plan view thereof;

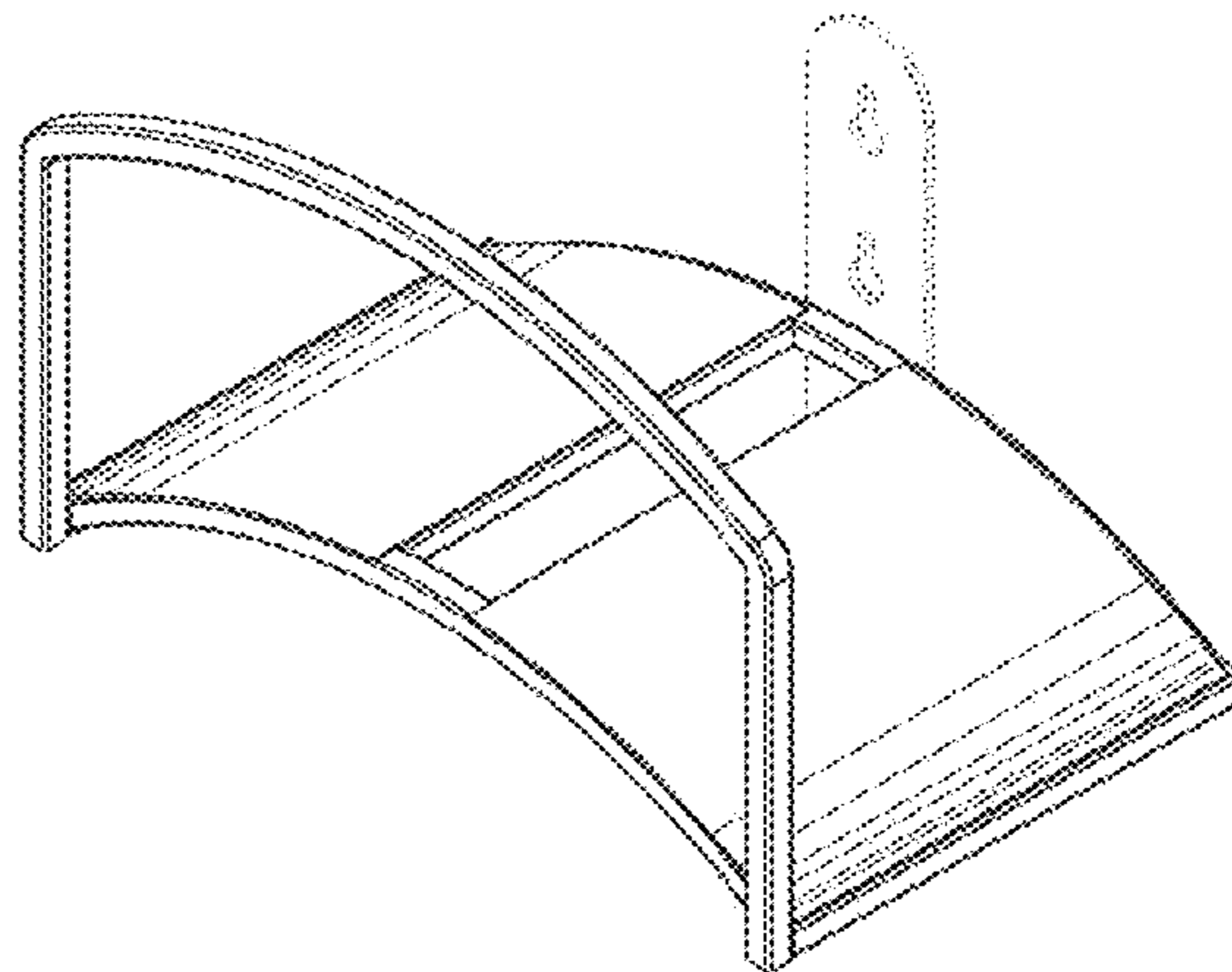
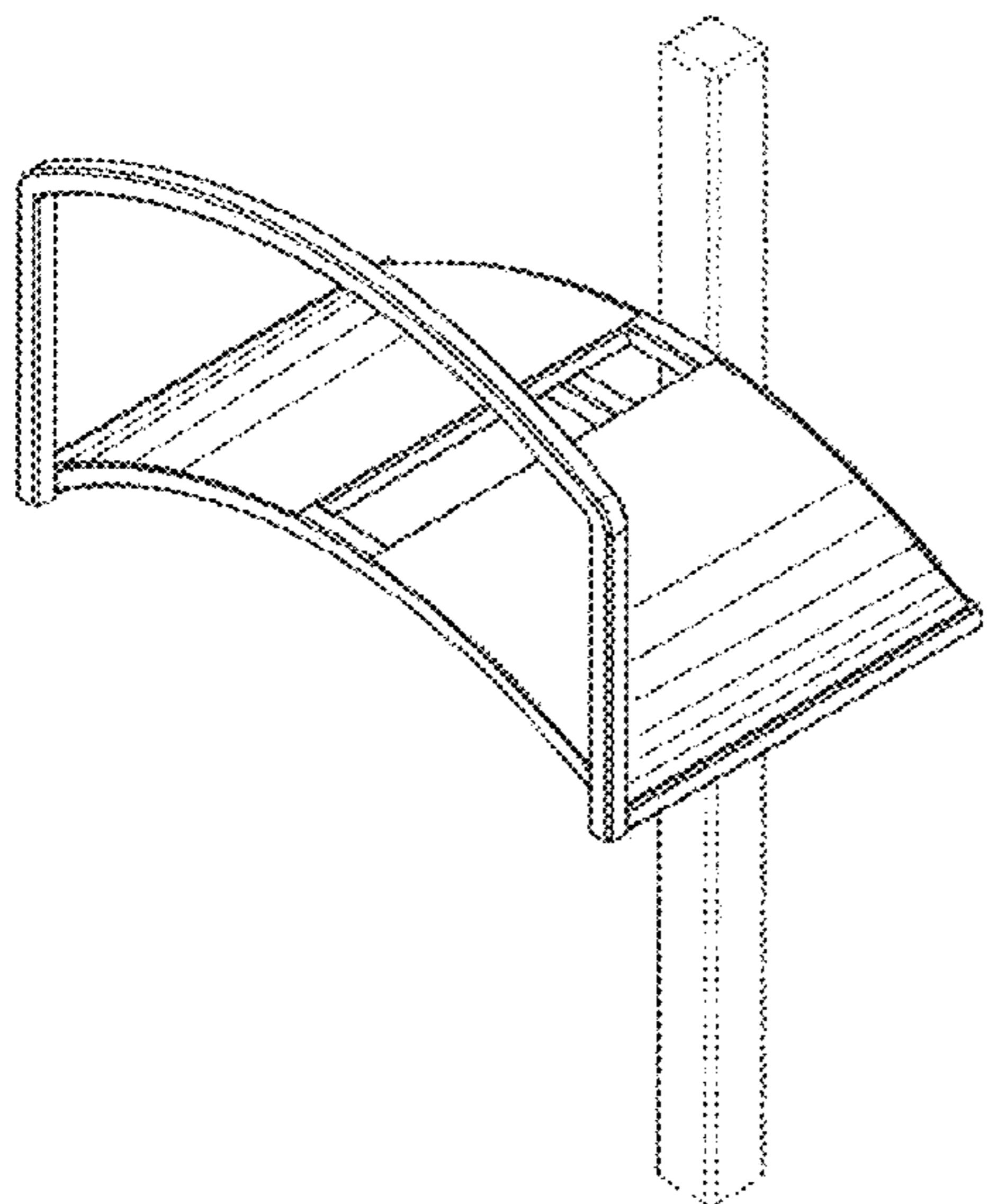
FIG. 10 is a left-side elevational view thereof;

FIG. 11 is a bottom plan view thereof; and,

FIG. 12 is a front elevational view thereof, the rear being the same in appearance.

The broken lines showing in FIGS. 1-12 illustrates the environment of the claimed design and forms no part thereof.

1 Claim, 4 Drawing Sheets



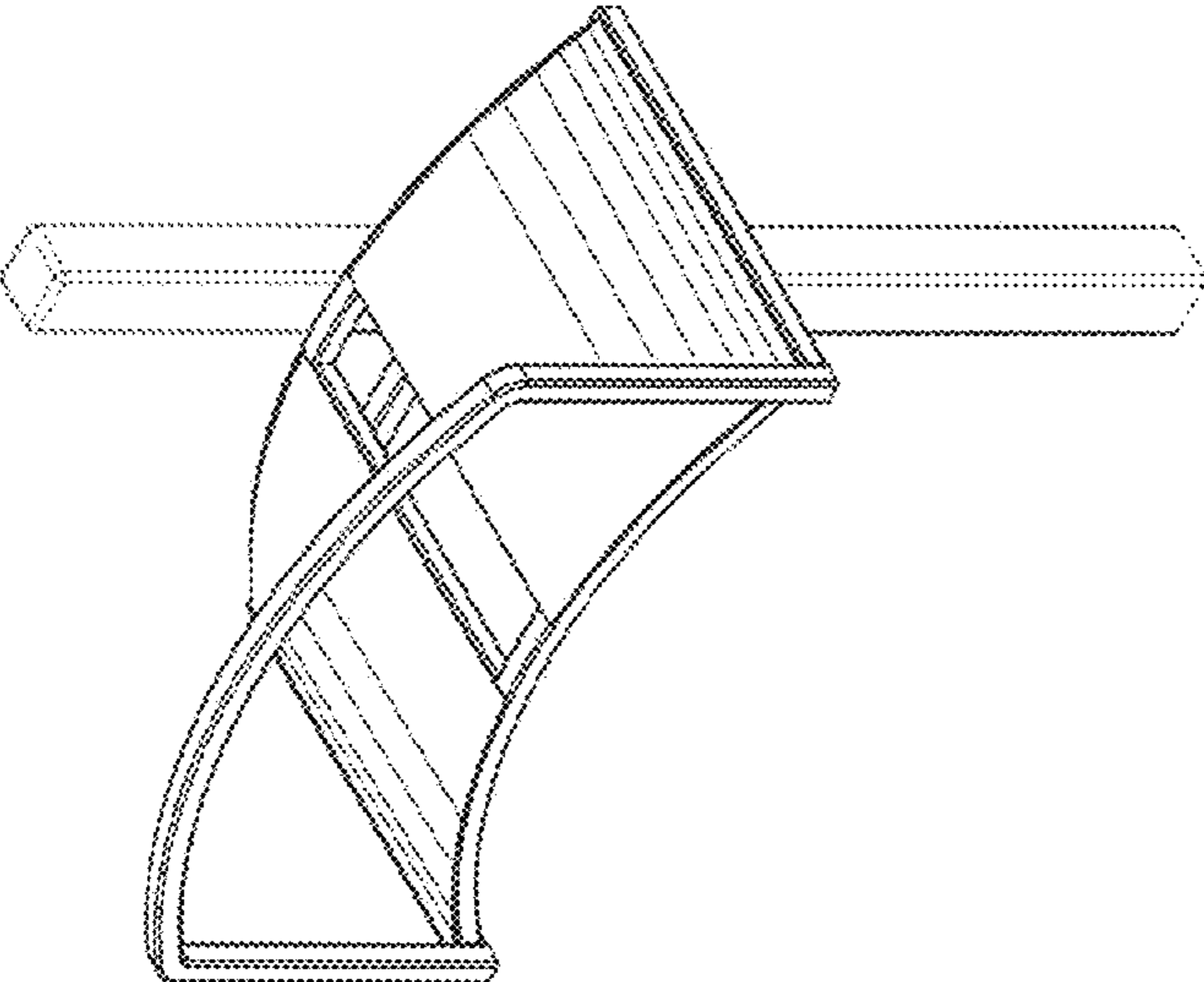


FIG. 1

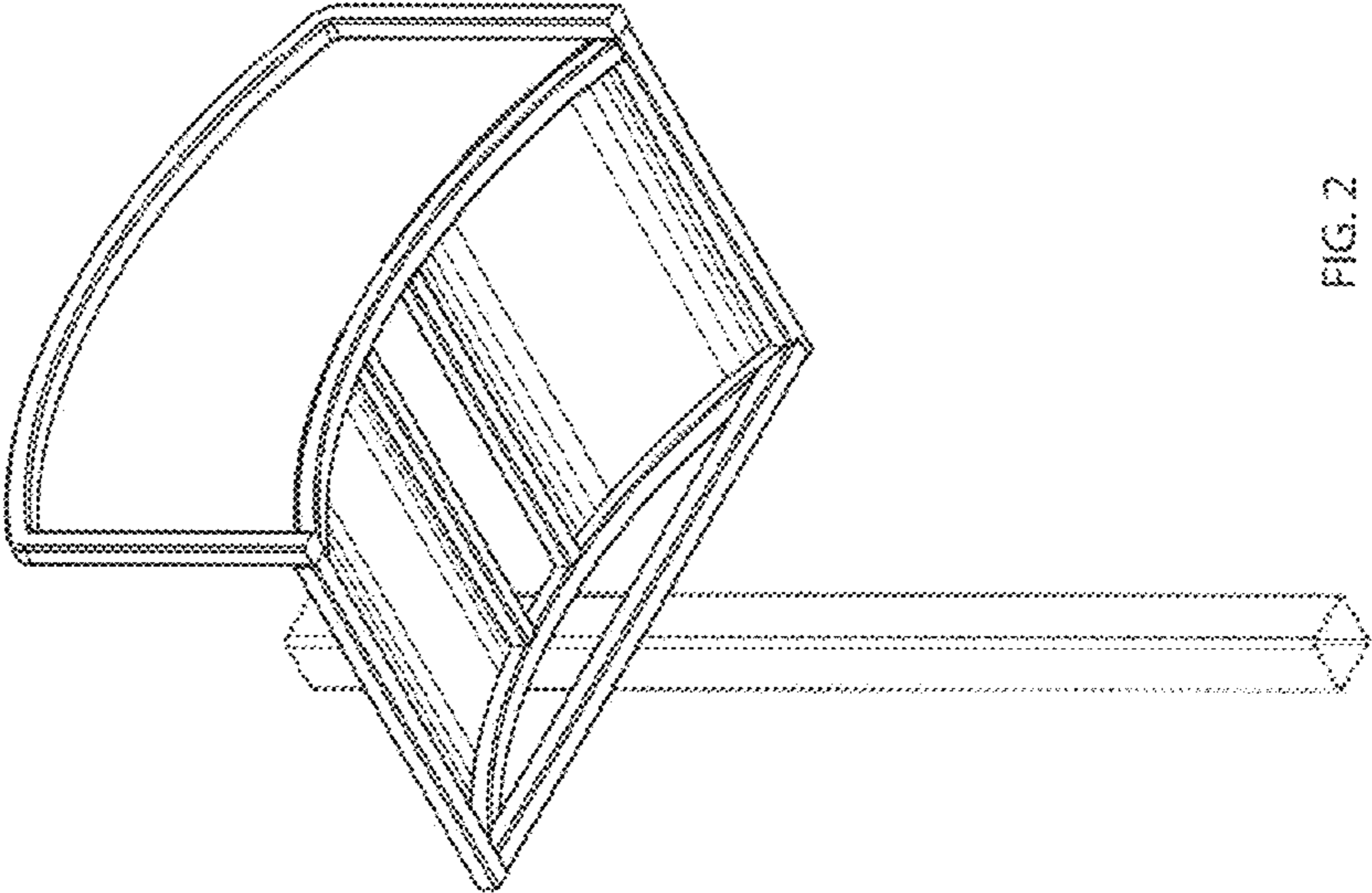


FIG. 2

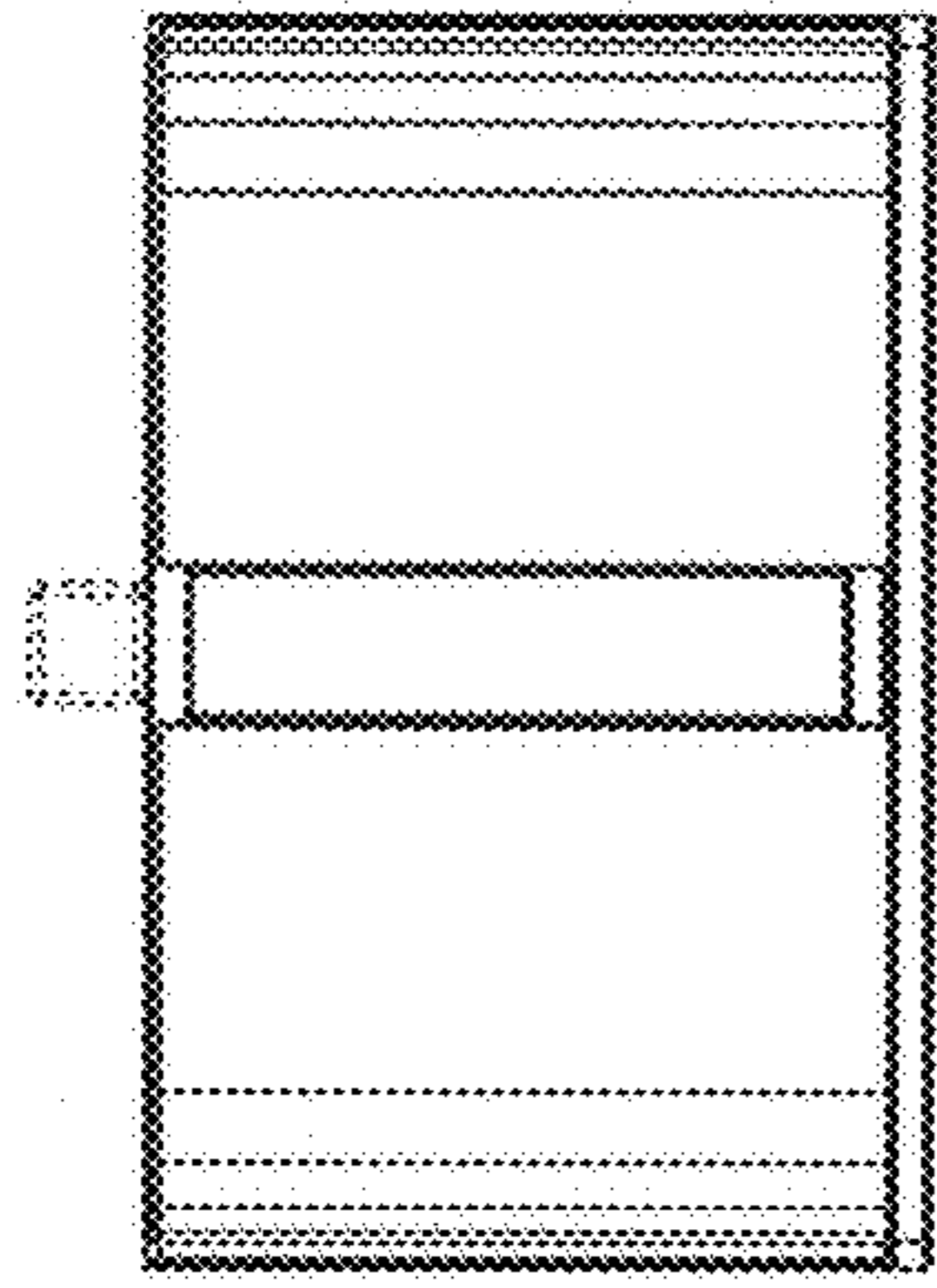


FIG. 5

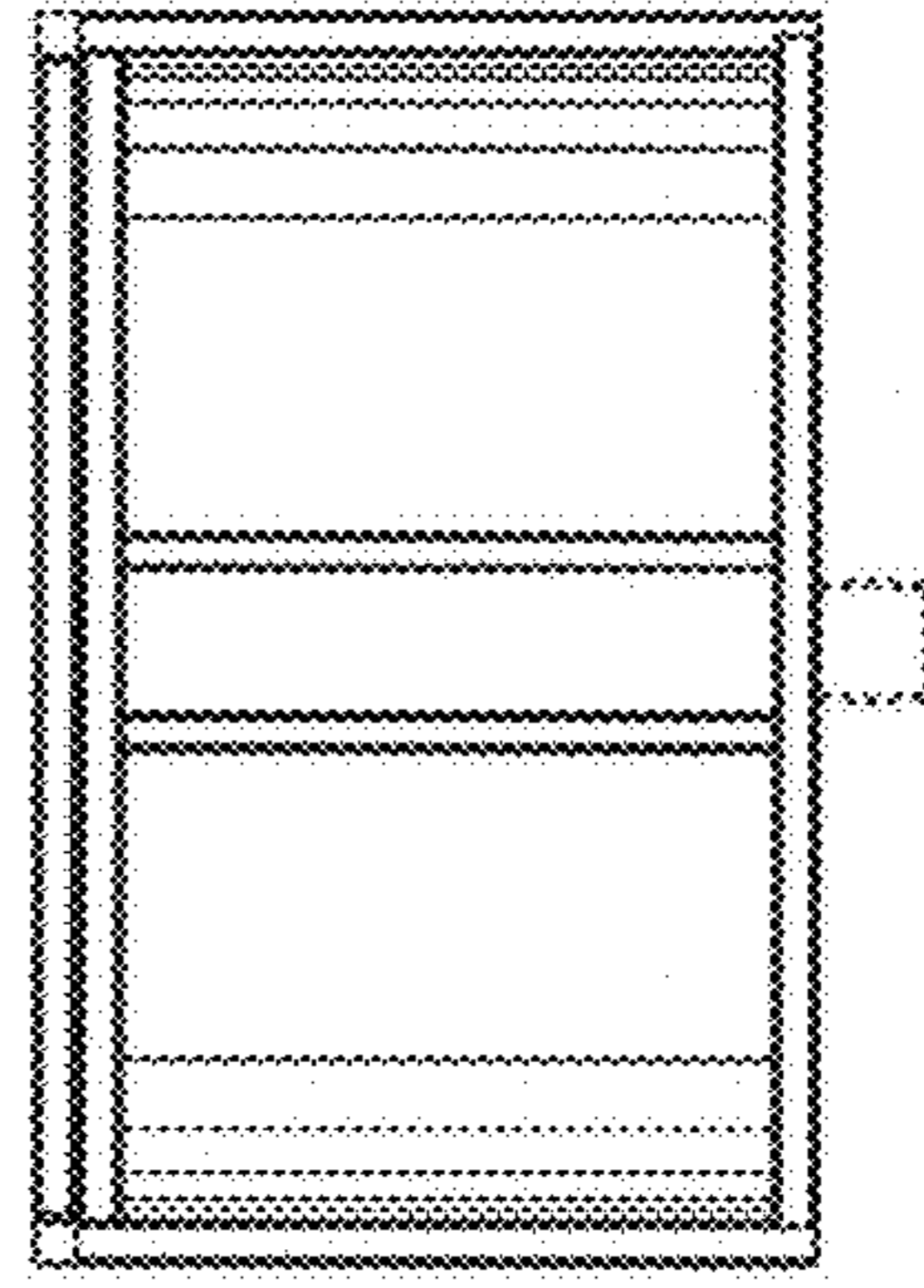


FIG. 6

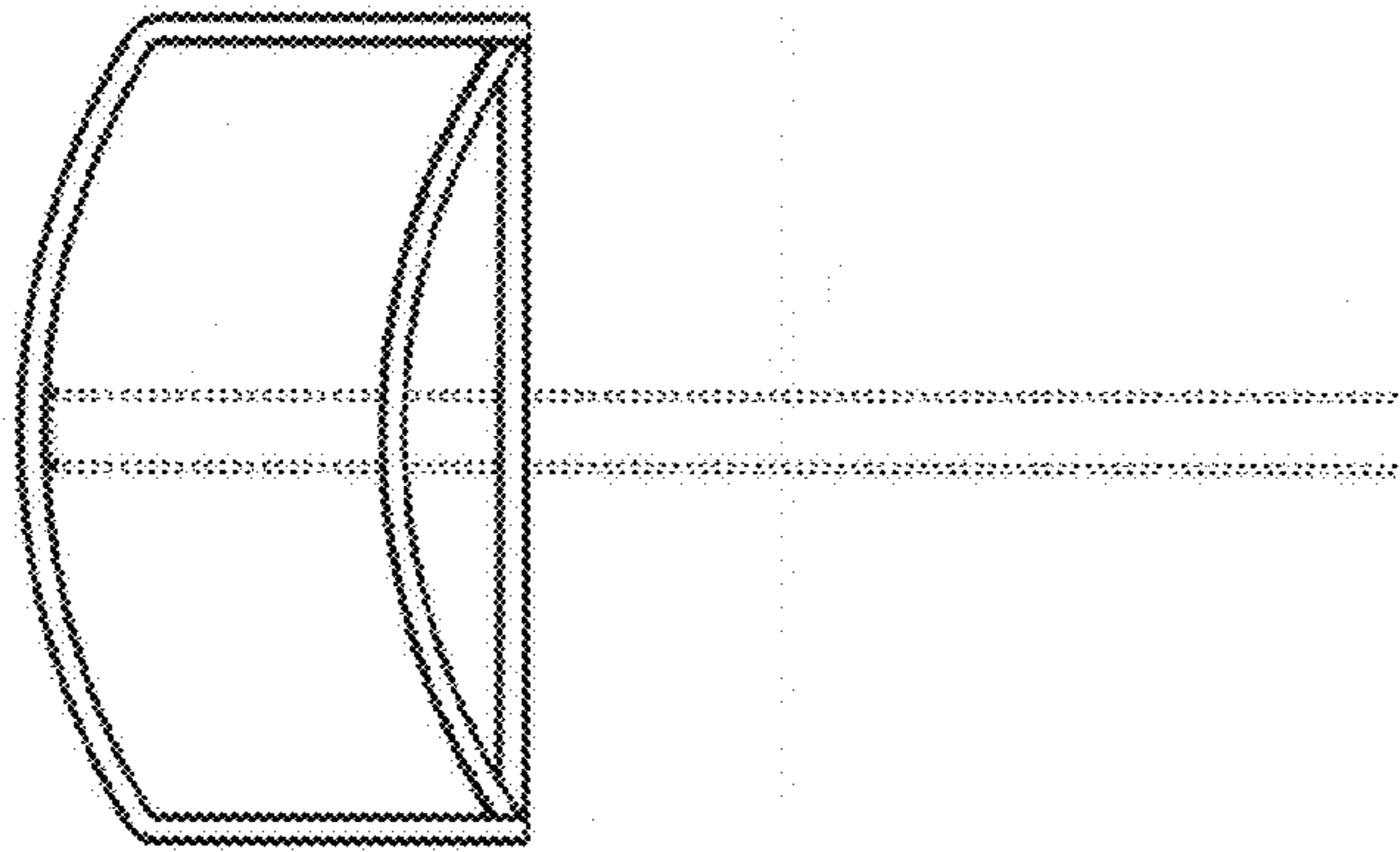


FIG. 4

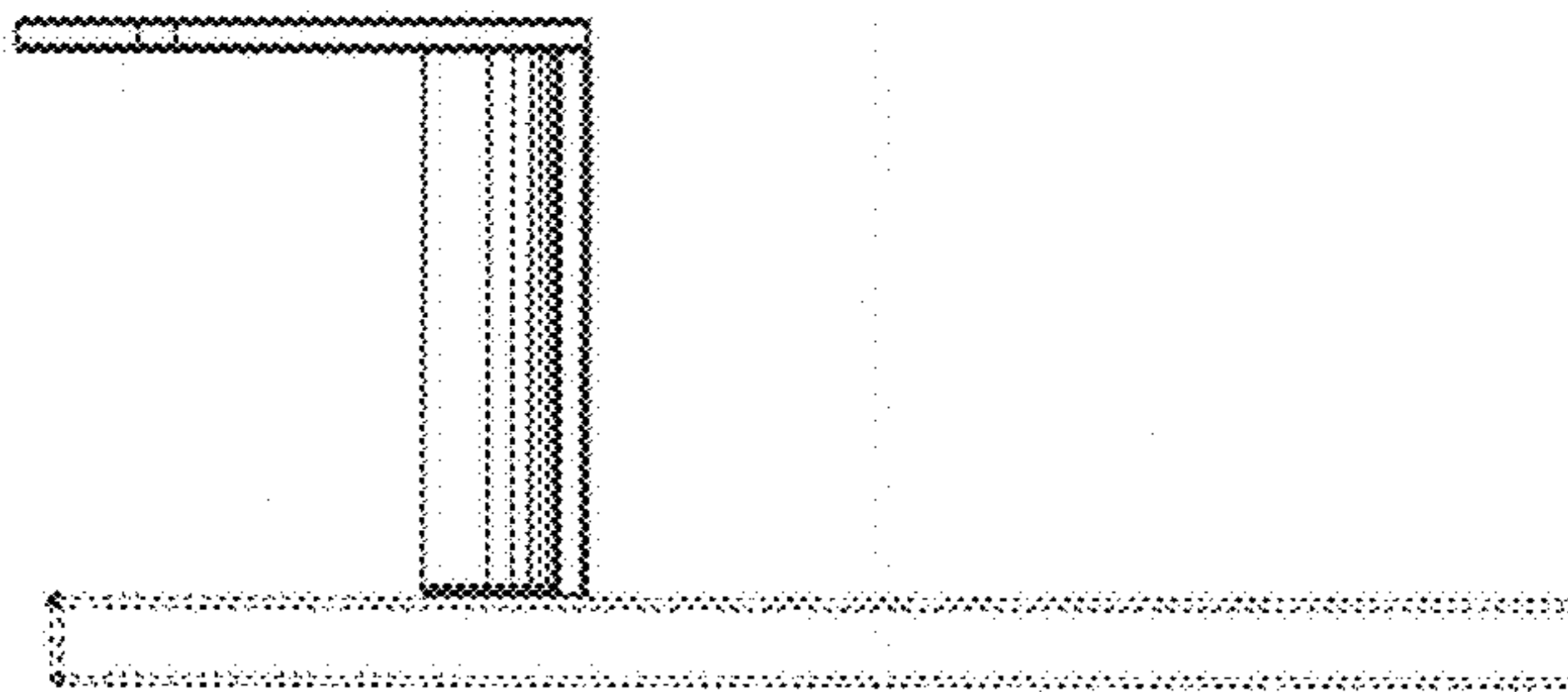


FIG. 3

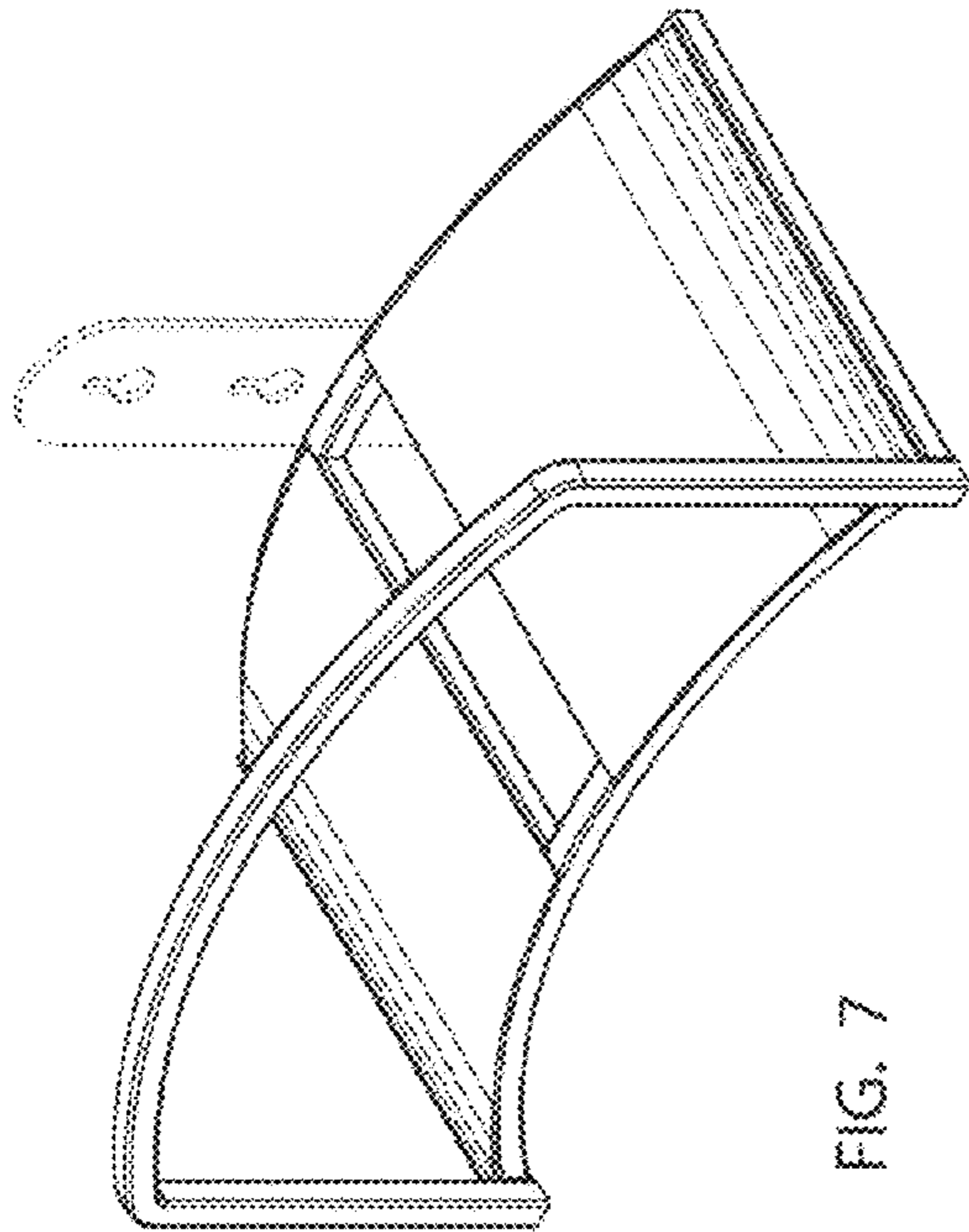


FIG. 7

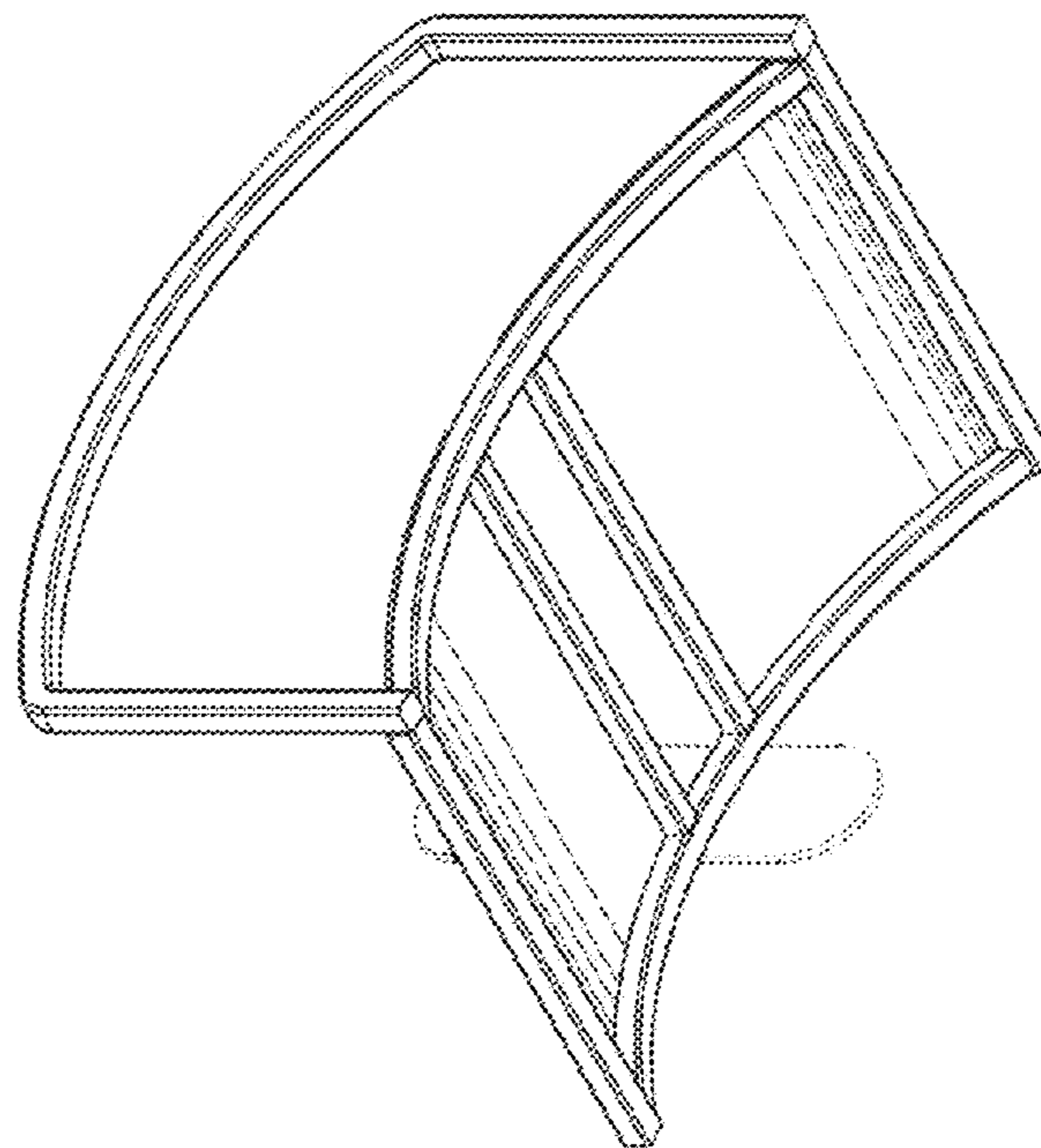


FIG. 8

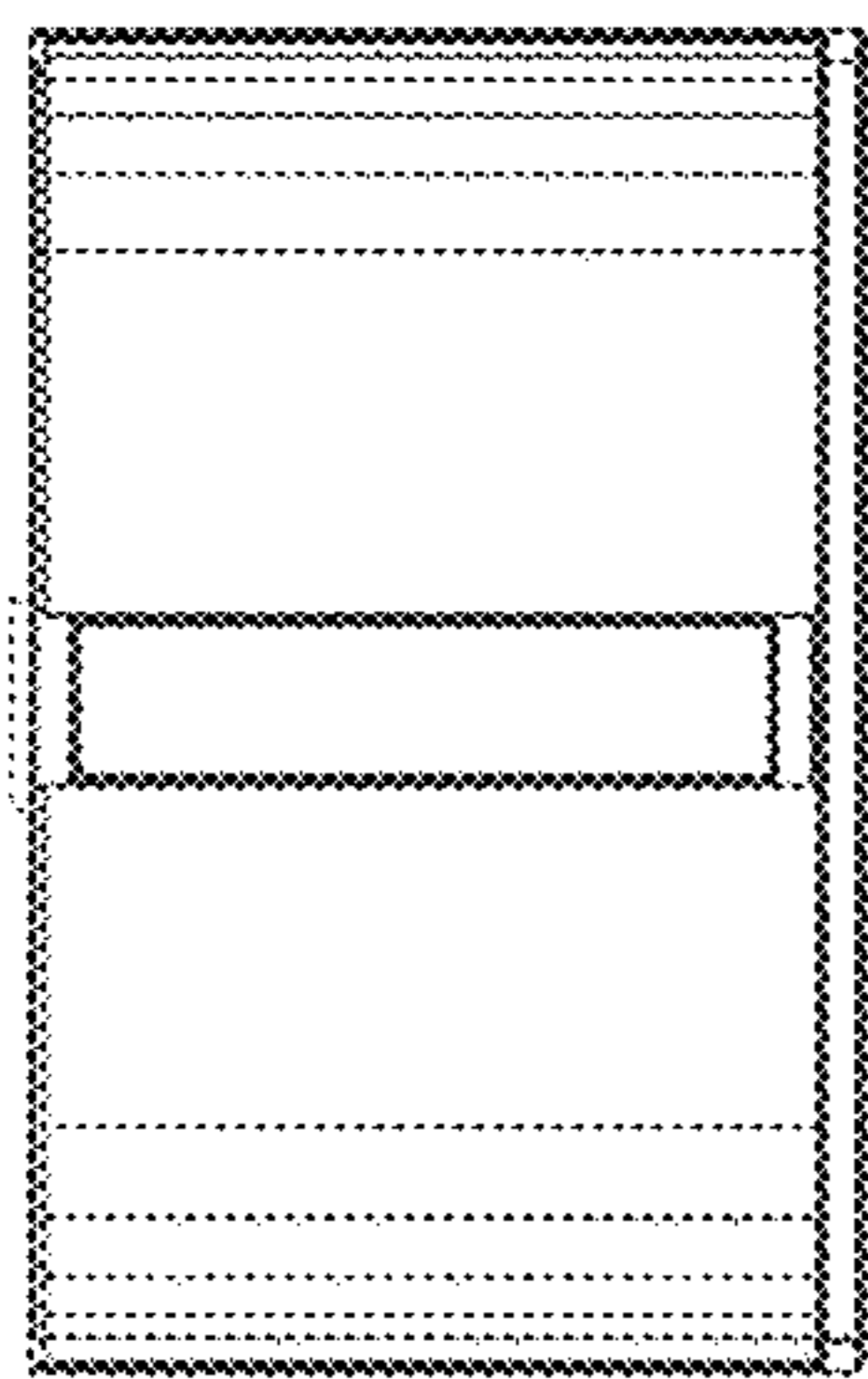


FIG. 9

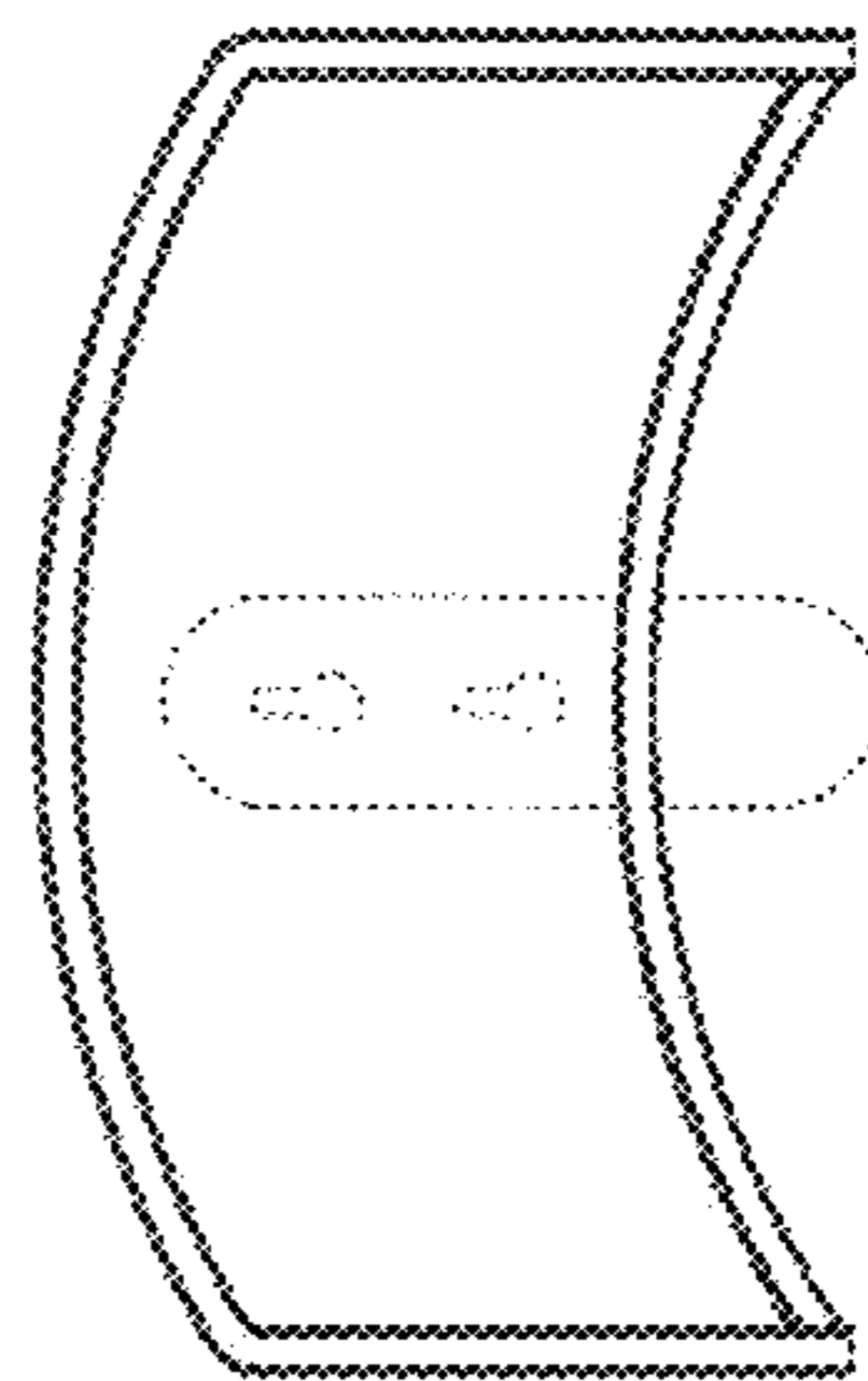


FIG. 10

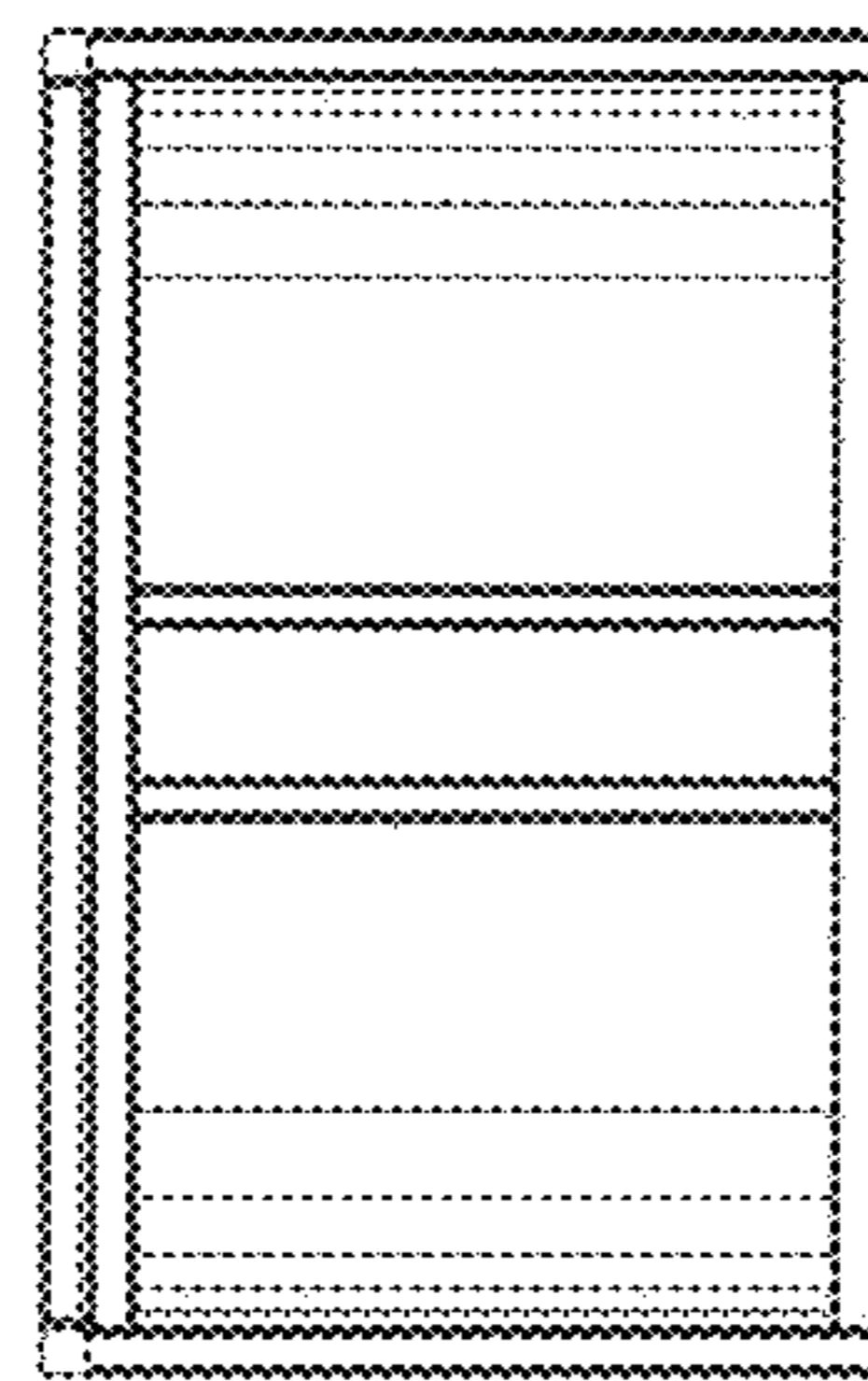


FIG. 11

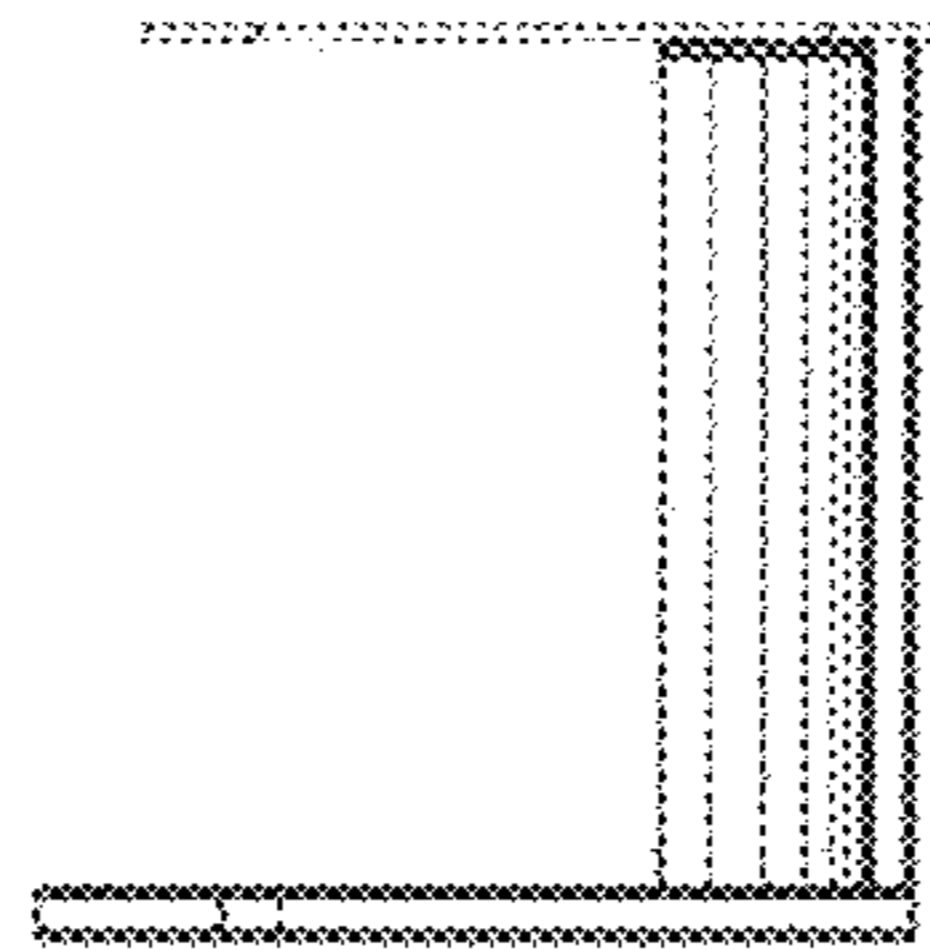


FIG. 12