



US00D724932S

(12) **United States Design Patent**
Stevens

(10) **Patent No.:** **US D724,932 S**
(45) **Date of Patent:** **** Mar. 24, 2015**

- (54) **LOCK**
- (71) Applicant: **Master Lock Company LLC**, Oak Creek, WI (US)
- (72) Inventor: **Scott B. Stevens**, St. Francis, WI (US)
- (73) Assignee: **Master Lock Company LLC**, Oak Creek, WI (US)
- (**) Term: **14 Years**
- (21) Appl. No.: **29/481,161**
- (22) Filed: **Feb. 3, 2014**

- 1,091,456 A 3/1914 Evans
- 1,161,562 A 11/1915 Wessen
- 1,240,146 A 9/1917 Jackson
- 1,336,309 A 4/1920 Malaczynski
- 1,358,184 A 11/1920 Voight
- 1,380,719 A 6/1921 Johnson

(Continued)

FOREIGN PATENT DOCUMENTS

- CA 1171294 7/1984
- CA 2190575 11/1995

(Continued)

OTHER PUBLICATIONS

International Search Report and Written Opinion of the International Searching Authority from International Application No. PCT/US08/01427, mailed Jun. 19, 2008.

(Continued)

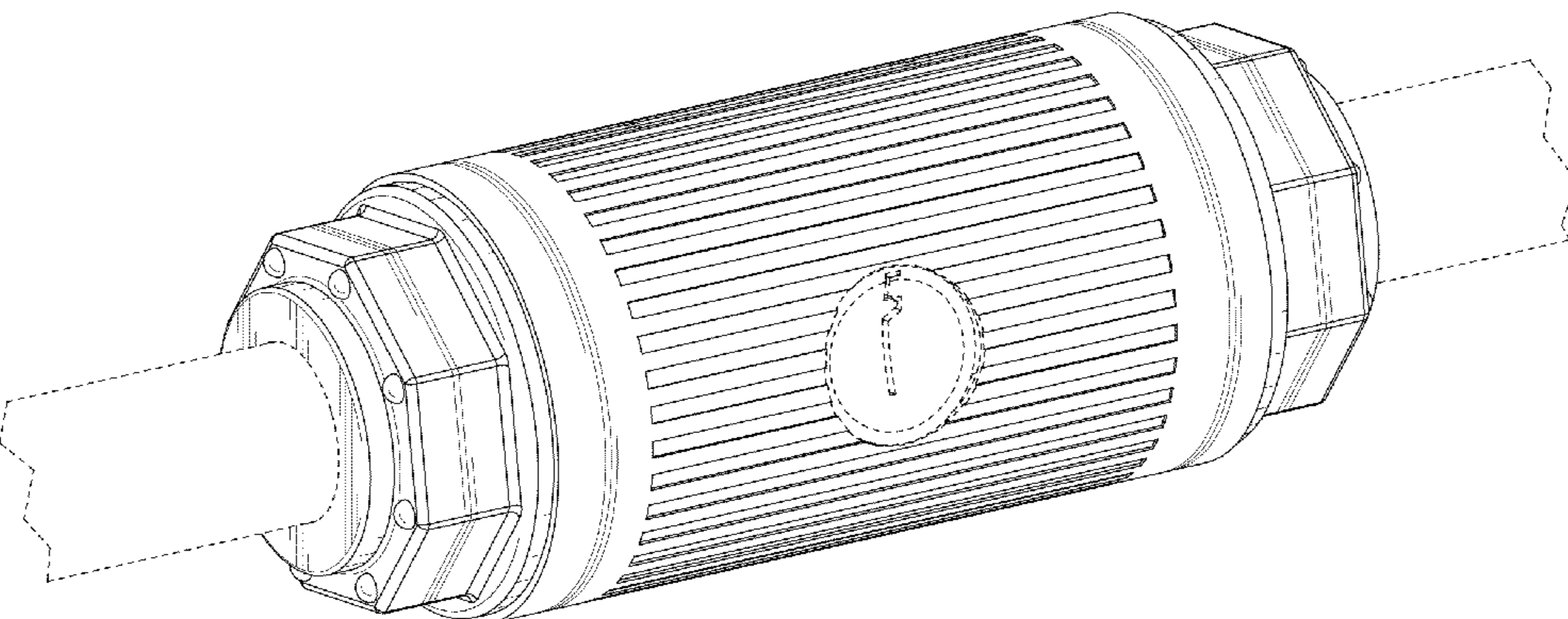
Primary Examiner — Prabhakar Deshmukh
(74) *Attorney, Agent, or Firm* — Calfee, Halter & Griswold LLP

(57) **CLAIM**
I claim the ornamental design for a lock, as shown and described.

DESCRIPTION

FIG. 1 is a front perspective view of a lock showing my new design;
FIG. 2 is a left side elevational view thereof;
FIG. 3 is a right side elevational view thereof;
FIG. 4 is a front elevational view thereof;
FIG. 5 is a rear elevational view thereof;
FIG. 6 is a top plan view thereof; and,
FIG. 7 is a bottom plan view thereof.
The broken lines illustrate the unclaimed portions and form no part of the claimed design.

1 Claim, 4 Drawing Sheets



Related U.S. Application Data

- (62) Division of application No. 29/465,182, filed on Aug. 26, 2013, now Pat. No. Des. 707,101, and a division of application No. 29/418,076, filed on Apr. 12, 2012, now Pat. No. Des. 691,458.
- (51) **LOC (10) Cl.** **08-07**
- (52) **U.S. Cl.**
USPC **D8/334; D8/333**
- (58) **Field of Classification Search**
USPC D8/330, 331, 333, 343, 339, 336, 349, D8/334, 354; 70/14-16, 18, 57, 25, 158, 70/163-168, 233, 38 A, 38 C, 23, 20, 30, 70/51, 57.1, 202, 203, 431, 448, 465, 466; 292/288, 290, 340

See application file for complete search history.

(56) **References Cited**

U.S. PATENT DOCUMENTS

- 380,961 A 4/1888 Waine
- 465,450 A 12/1891 Brooke
- 507,948 A 10/1893 Waine
- 535,128 A 3/1895 Barney
- 539,650 A 5/1895 Searle
- 558,814 A 4/1896 Hunt

(56)

References Cited

U.S. PATENT DOCUMENTS

1,384,561 A 7/1921 Hampton
 1,394,259 A 10/1921 Johnson
 1,475,256 A 11/1923 Belair
 1,510,635 A 10/1924 Strmic
 1,531,451 A 3/1925 Neal
 1,539,301 A 5/1925 Cooper
 1,542,016 A 6/1925 Stull
 1,566,965 A 12/1925 Johnson
 1,660,040 A 2/1928 Lehtonen
 1,851,207 A 3/1932 Neal
 1,855,686 A 4/1932 Neal
 1,900,242 A 3/1933 Lalou
 2,190,661 A 2/1940 Hauer
 2,390,885 A 12/1945 Kelley
 2,570,662 A 10/1951 Gray
 2,759,349 A 8/1956 McKee
 3,017,678 A 1/1962 Christensen
 3,435,642 A 4/1969 Del Pesco
 3,670,535 A 6/1972 Stettner et al.
 3,736,781 A 6/1973 Foote
 3,841,118 A 10/1974 Stone
 D234,452 S 3/1975 Saito
 3,907,255 A 9/1975 McElroy
 3,999,408 A 12/1976 Kawakami
 4,236,394 A 12/1980 Harrington et al.
 4,287,731 A 9/1981 Kruger
 4,302,955 A 12/1981 Kawakami
 4,446,709 A 5/1984 Steinbach
 D274,125 S 6/1984 Hardesty et al.
 4,509,346 A 4/1985 Szcapanek
 4,574,600 A 3/1986 Moffett
 4,850,207 A 7/1989 Ylven
 4,918,951 A 4/1990 Kavizky
 5,109,684 A 5/1992 Grandy, Sr.
 5,473,917 A 12/1995 Say
 5,517,835 A 5/1996 Smith
 5,548,981 A 8/1996 Kirk
 5,611,225 A 3/1997 Resch et al.
 5,638,707 A 6/1997 Gould
 5,660,064 A 8/1997 Ecker et al.
 5,743,117 A 4/1998 Woo et al.
 D394,197 S 5/1998 Zeller
 5,749,251 A 5/1998 Keefe
 5,791,170 A 8/1998 Officer
 5,868,012 A 2/1999 Chun-Te et al.
 5,924,313 A 7/1999 Kuo
 5,992,187 A 11/1999 Derman
 6,003,348 A 12/1999 McCrea
 D433,312 S * 11/2000 Luquire D8/333
 D435,428 S 12/2000 Ling
 6,212,919 B1 4/2001 Gerow
 6,305,199 B1 * 10/2001 Igelmund 70/58
 6,363,758 B1 4/2002 Ling
 D457,802 S 5/2002 Meekma et al.
 6,386,005 B1 * 5/2002 Kuo 70/28

6,401,502 B1 * 6/2002 Yang 70/30
 6,408,660 B1 6/2002 Lai
 D460,341 S 7/2002 Ling
 6,470,718 B1 10/2002 Yang
 D469,332 S 1/2003 Meekma et al.
 6,513,350 B1 2/2003 Hurd et al.
 6,526,785 B1 3/2003 Asenstorfer et al.
 D477,525 S * 7/2003 Ling D8/330
 6,609,399 B1 8/2003 Daniels, Jr.
 6,629,440 B1 10/2003 Meekma et al.
 D483,647 S * 12/2003 Lo D8/333
 6,672,117 B2 * 1/2004 Yu 70/58
 6,681,603 B1 1/2004 Yu
 6,755,054 B2 6/2004 Burmesch et al.
 D493,647 S 8/2004 Bowes
 D495,580 S 9/2004 Ho
 6,799,446 B1 * 10/2004 Tsai 70/30
 6,860,126 B2 3/2005 Ling
 D505,854 S 6/2005 Wyers
 6,931,894 B2 8/2005 Yu
 D515,909 S 2/2006 Leung
 6,997,923 B2 2/2006 Huang
 7,104,093 B2 9/2006 Ling et al.
 7,140,210 B2 11/2006 Cheng
 7,152,439 B1 12/2006 Chang
 D540,149 S 4/2007 Toffefson
 D548,042 S 8/2007 Smyczek et al.
 7,412,854 B2 8/2008 Raemisch et al.
 7,526,932 B2 5/2009 Funtmann
 7,631,524 B2 12/2009 Araujo
 7,870,764 B2 1/2011 Burmesch
 D674,266 S 1/2013 Misner et al.
 2002/0083744 A1 7/2002 Lai
 2003/0029207 A1 2/2003 Young
 2003/0046852 A1 3/2003 Burmesch et al.
 2003/0089141 A1 5/2003 Edwards et al.
 2003/0089147 A1 5/2003 Yang
 2004/0011098 A1 1/2004 Yang
 2005/0044903 A1 3/2005 Ling et al.
 2005/0092037 A1 5/2005 Meekma et al.
 2005/0155395 A1 7/2005 Yu
 2008/0184748 A1 8/2008 Burmesch

FOREIGN PATENT DOCUMENTS

EP 0681078 11/1995
 EP 0893562 1/1999
 WO 02/20926 3/2002

OTHER PUBLICATIONS

Partial Search Report from PCT/US2004/031557.
 Printout from web site; Master Lock Combination Cable Locks,
http://masterlock.com/products/category_products.jsp?category=MLCOM_CableLocks, 3 pages, 2012.
 Printout from web site; Master Cable Locks, <http://masterlock.com/products/subcategory/CableLocks>, 5 pages, 2012.

* cited by examiner

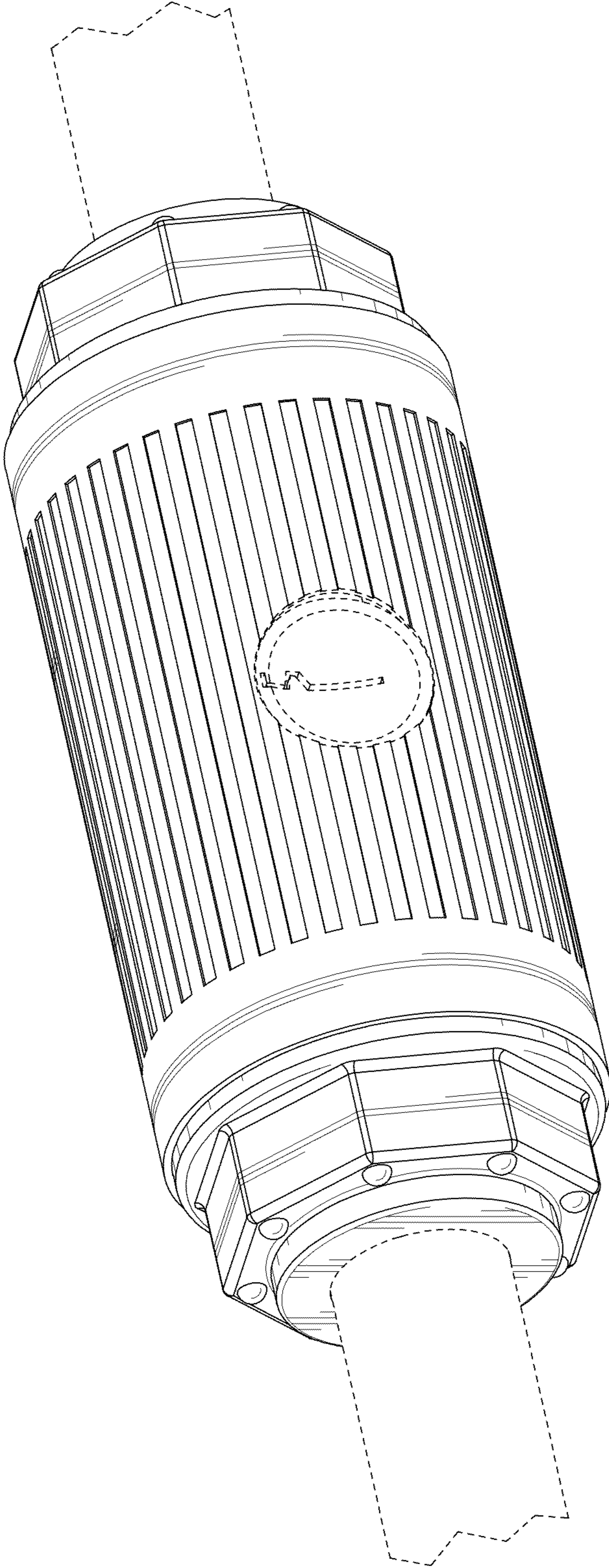


FIG. 1

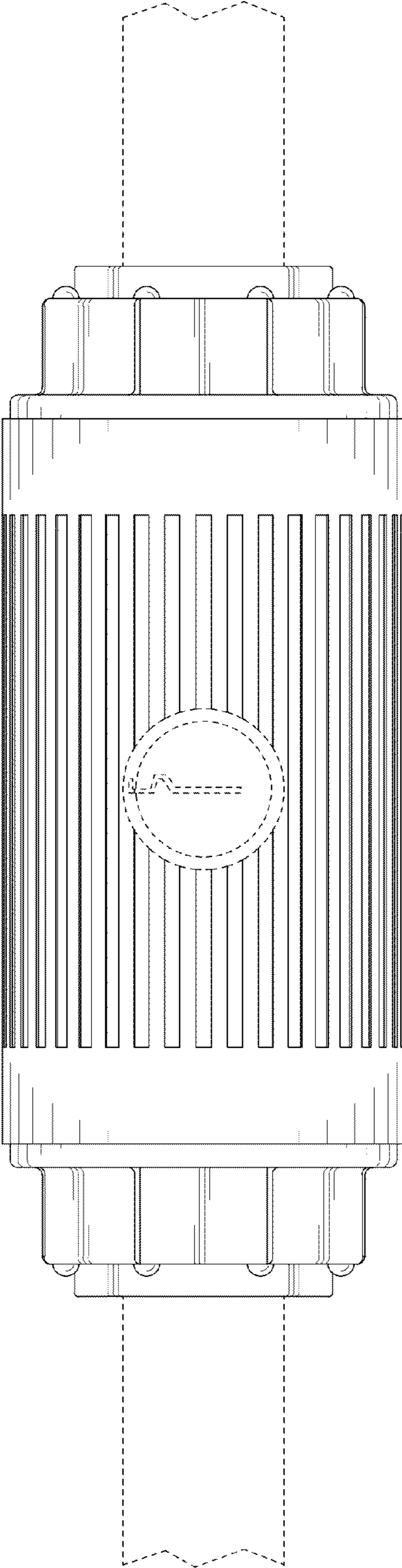


FIG. 2

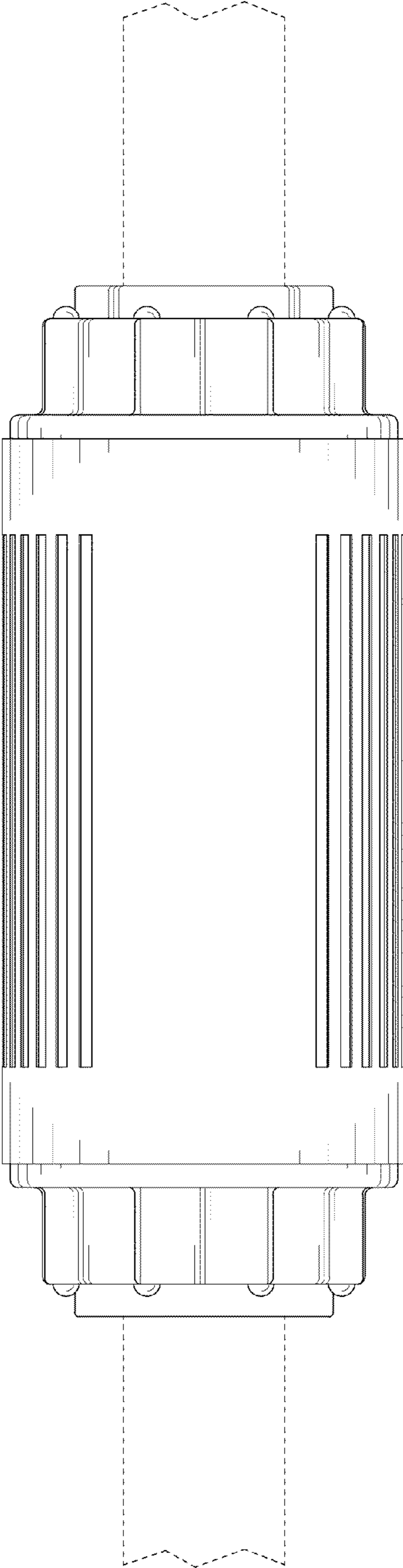


FIG. 3

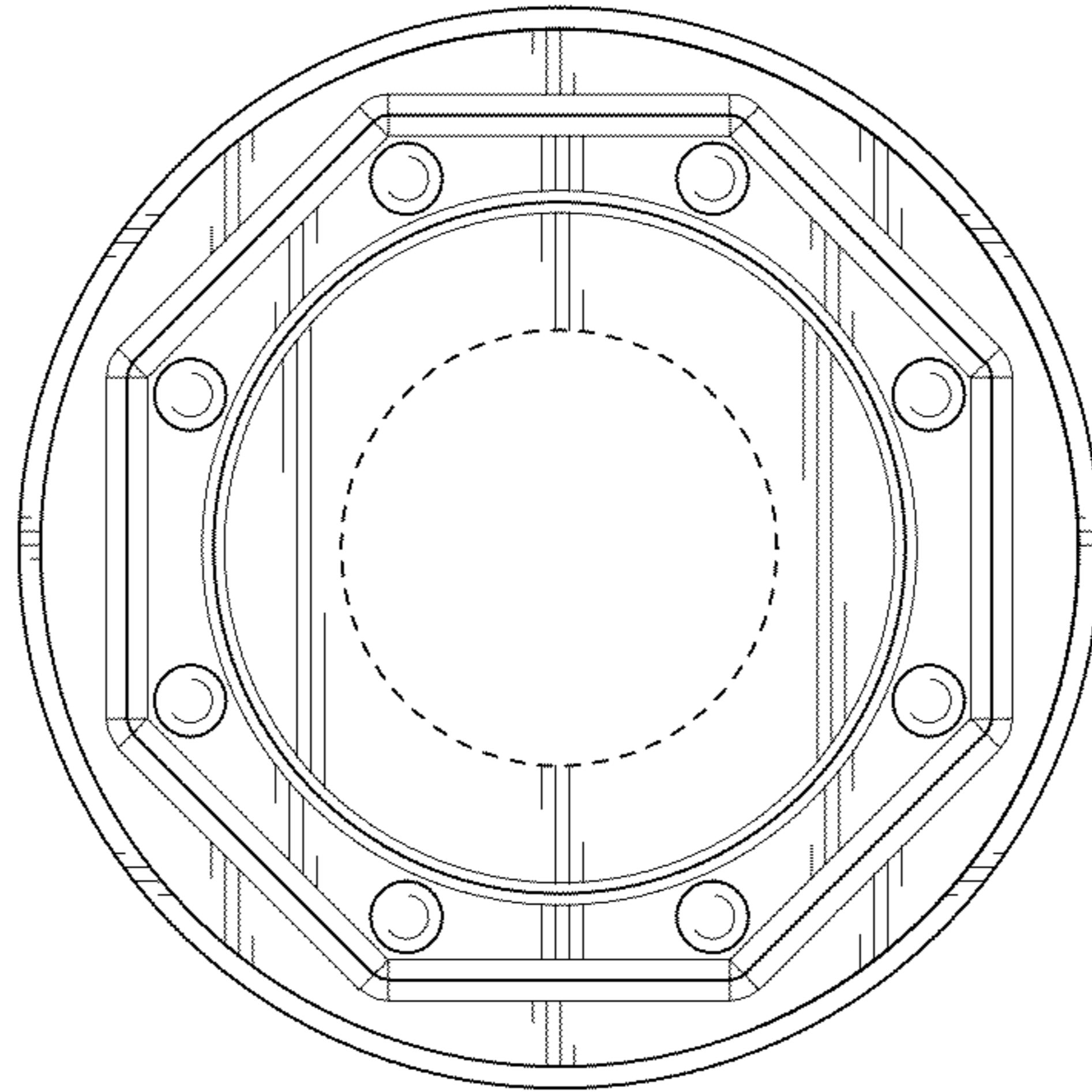


FIG. 4

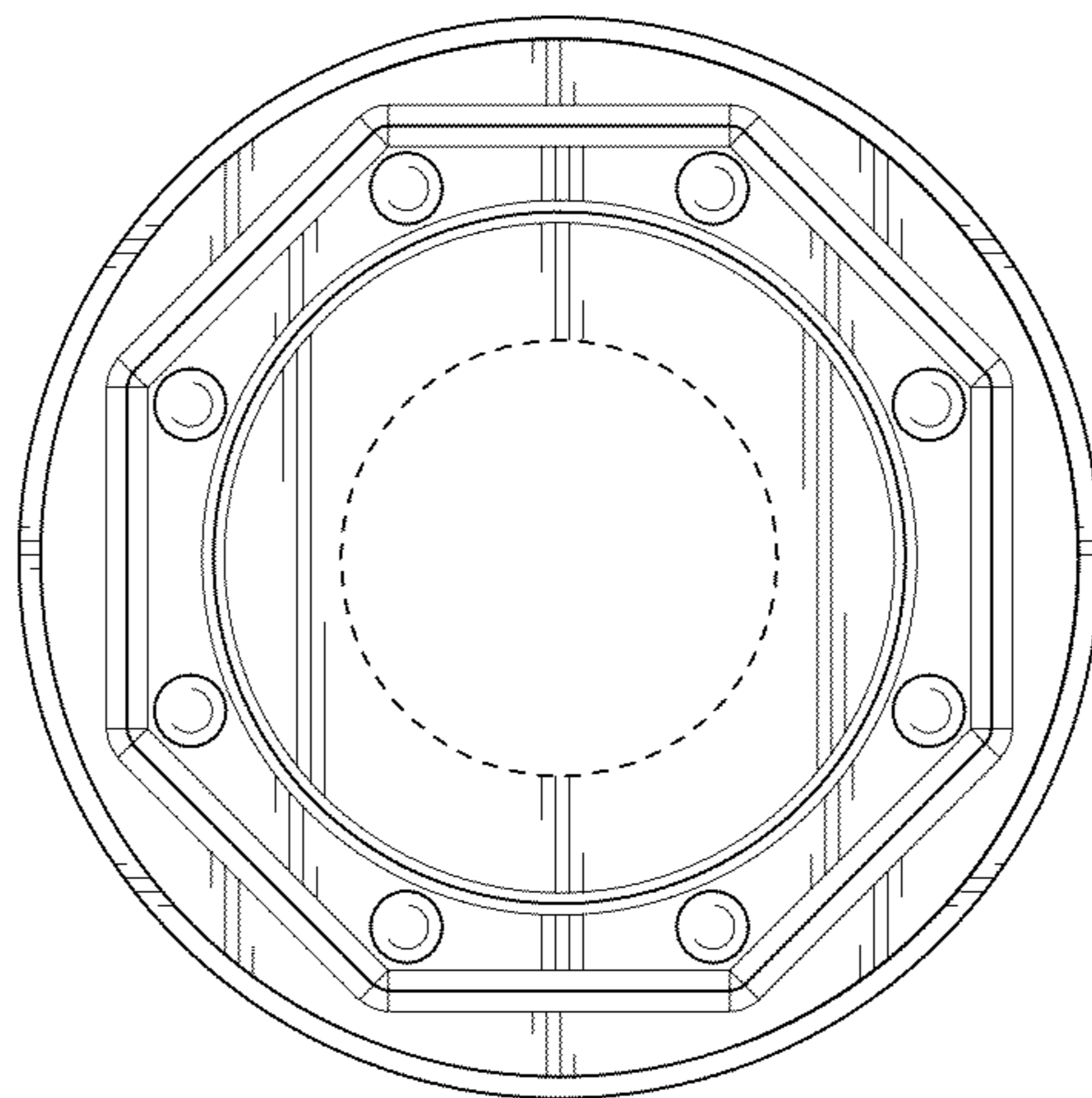


FIG. 5

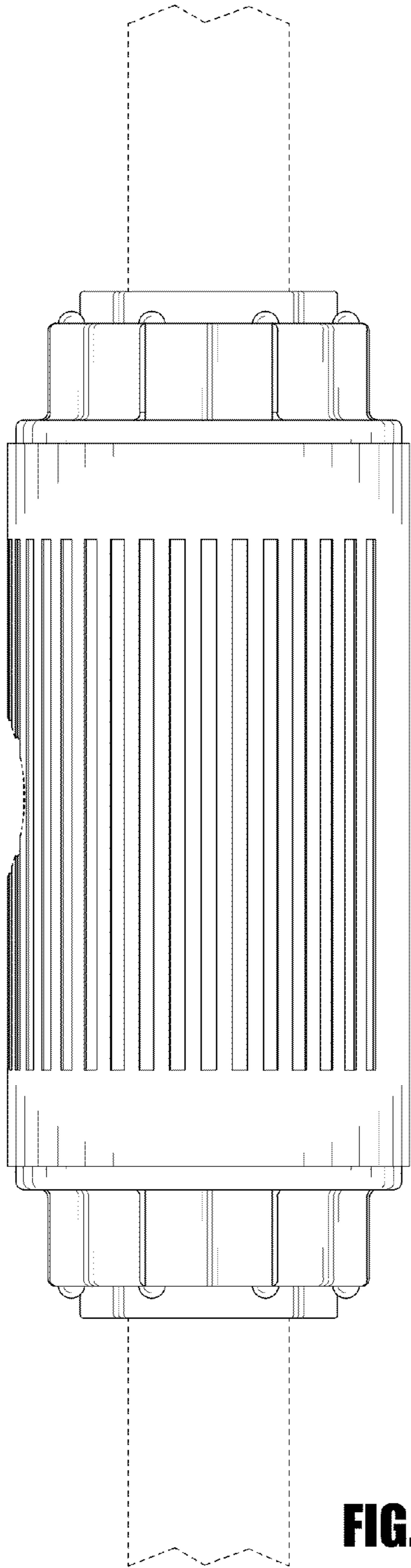


FIG. 6

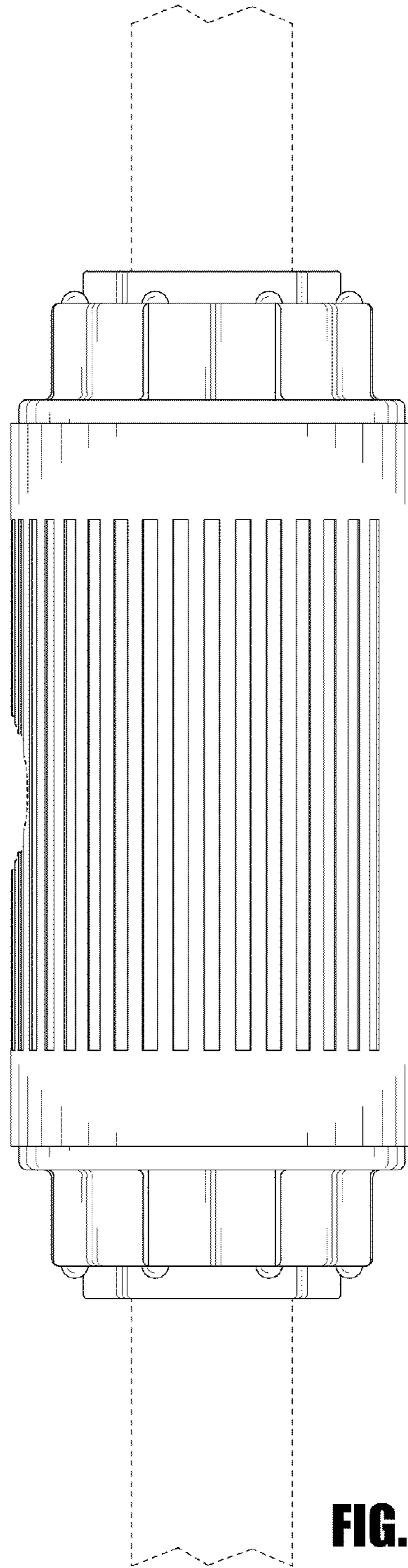


FIG. 7