



US00D724931S

(12) **United States Design Patent**
Dudgeon et al.

(10) **Patent No.:** **US D724,931 S**
(45) **Date of Patent:** **** Mar. 24, 2015**

- (54) **PADLOCK COVER**
- (71) Applicant: **Master Lock Company LLC**, Oak Creek, WI (US)
- (72) Inventors: **Matthew Dudgeon**, Whitefish Bay, WI (US); **Jassen R. Miller**, Racine, WI (US)
- (73) Assignee: **Master Lock Company LLC**, Oak Creek, WI (US)

4,297,861 A	11/1981	Dykes	
4,317,344 A	3/1982	Barnerd	
4,594,866 A	6/1986	Neyret	
4,638,652 A	1/1987	Morse et al.	
D292,869 S	11/1987	Lebrecht	
4,727,368 A *	2/1988	Larson et al.	340/5.6
4,790,163 A	12/1988	Appelbaum	
4,916,443 A *	4/1990	Barrett et al.	340/5.33
5,033,279 A	7/1991	Lebrecht	
5,090,222 A *	2/1992	Imran	70/63

(Continued)

(**) Term: **14 Years**

FOREIGN PATENT DOCUMENTS

- (21) Appl. No.: **29/468,689**
- (22) Filed: **Oct. 2, 2013**
- (51) **LOC (10) Cl.** **08-07**
- (52) **U.S. Cl.**
USPC **D8/334; D8/343**
- (58) **Field of Classification Search**
USPC D8/330, 331, 334, 336, 339, 343;
70/38 R, 38 A, 25, 39, 279, 388, 278.1,
70/278, 2, 3, 278.7, 285.1, 283, 275, 280,
70/20

CA	865398	3/1971
EP	0320516	6/1989

Primary Examiner — Prabhakar Deshmukh
(74) *Attorney, Agent, or Firm* — Calfee, Halter & Griswold LLP

(57) **CLAIM**
We claim the ornamental design for a padlock cover, as shown and described.

DESCRIPTION

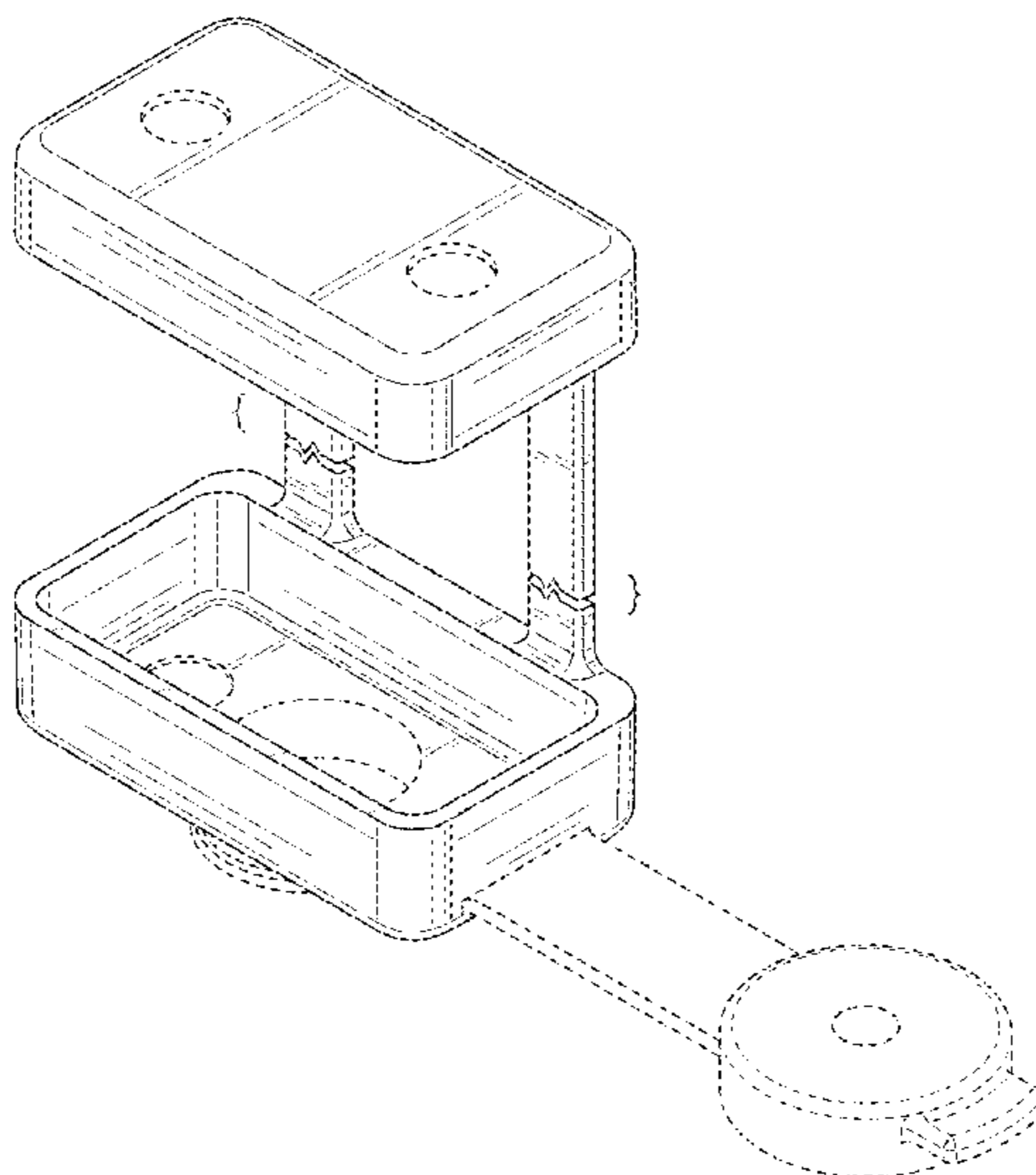
See application file for complete search history.

FIG. 1 is a top front perspective view of a padlock cover of the new design;
FIG. 2 is a front elevational view of the padlock cover of FIG. 1;
FIG. 3 is a rear elevational view of the padlock cover of FIG. 1;
FIG. 4 is a right side elevational view of the padlock cover of FIG. 1;
FIG. 5 is a left side elevational view of the padlock cover of FIG. 1;
FIG. 6 is a top plan view of the padlock cover of FIG. 1; and,
FIG. 7 is a bottom plan view of the padlock cover of FIG. 1.
The portions of the Figures shown in broken lines are for illustrative purpose only and form no part of the claimed design.

(56) **References Cited**
U.S. PATENT DOCUMENTS

297,469 A	4/1884	Stickney	
954,061 A	4/1910	Van Taxis	
1,560,868 A	11/1925	Shinn	
2,375,488 A	5/1945	Olson	
2,655,031 A	10/1953	Jacobi	
2,906,112 A	9/1959	Vahlstrom	
3,263,463 A	8/1966	Duval et al.	
3,453,758 A	7/1969	Soref et al.	
3,777,522 A	12/1973	Rubner	
3,858,418 A *	1/1975	Butler	68/235 D
D243,150 S	1/1977	Dykes	
4,218,902 A	8/1980	Druschel	
4,224,813 A	9/1980	Hampton	
4,226,100 A *	10/1980	Hampton et al.	70/51

1 Claim, 5 Drawing Sheets



(56)

References Cited

U.S. PATENT DOCUMENTS

D325,158 S 4/1992 Lebrecht
 5,156,029 A 10/1992 Heald
 5,280,518 A * 1/1994 Danler et al. 379/102.06
 5,587,702 A 12/1996 Chadfield
 5,761,935 A * 6/1998 Adelmeyer 70/55
 D400,078 S * 10/1998 Adelmeyer D8/346
 5,934,121 A 8/1999 Chen
 5,946,957 A 9/1999 Yamamoto et al.
 D423,324 S 4/2000 Liu
 6,046,558 A 4/2000 Larson et al.
 6,047,575 A 4/2000 Larson et al.
 D425,398 S 5/2000 Fiegenger et al.
 D432,393 S 10/2000 Gast
 D435,428 S 12/2000 Ling

6,209,369 B1 4/2001 Freck
 D449,510 S 10/2001 Liu
 6,305,198 B1 10/2001 Chastain et al.
 D450,560 S 11/2001 Yu
 6,393,876 B1 5/2002 Matyko
 6,397,647 B1 6/2002 Kuo
 6,539,754 B1 * 4/2003 Fang 70/52
 D484,391 S 12/2003 Hackbarth et al.
 6,812,914 B1 11/2004 Chen
 7,124,606 B2 * 10/2006 Turek 70/14
 D537,320 S 2/2007 Kearns et al.
 D537,704 S 3/2007 Van Handel
 D587,987 S * 3/2009 Zorc et al. D8/343
 D595,112 S * 6/2009 Zorc et al. D8/343
 7,581,423 B2 9/2009 Brojanac et al.
 D605,928 S * 12/2009 Stevens et al. D8/334
 D656,384 S 3/2012 Wojtak

* cited by examiner

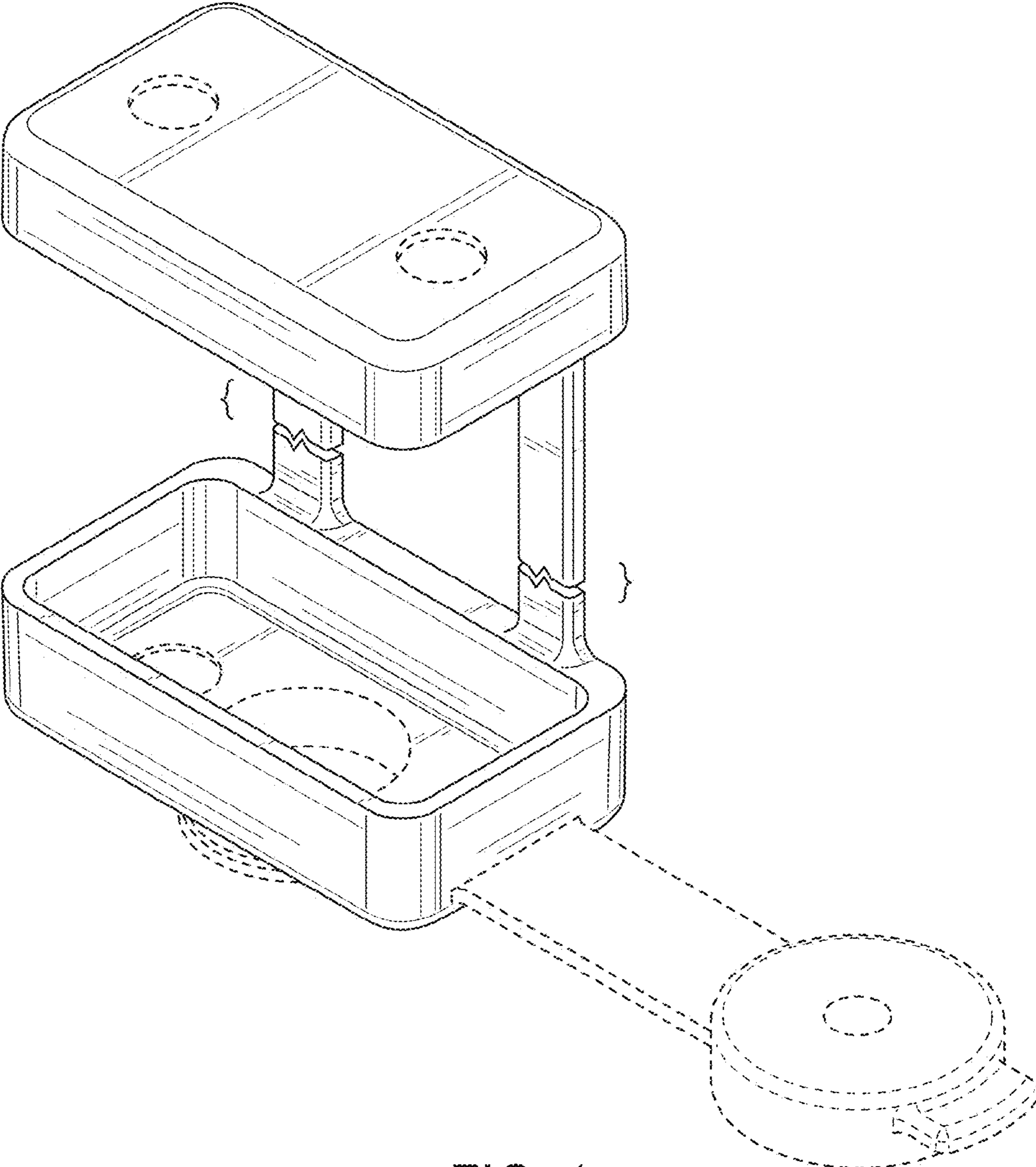


FIG. 1

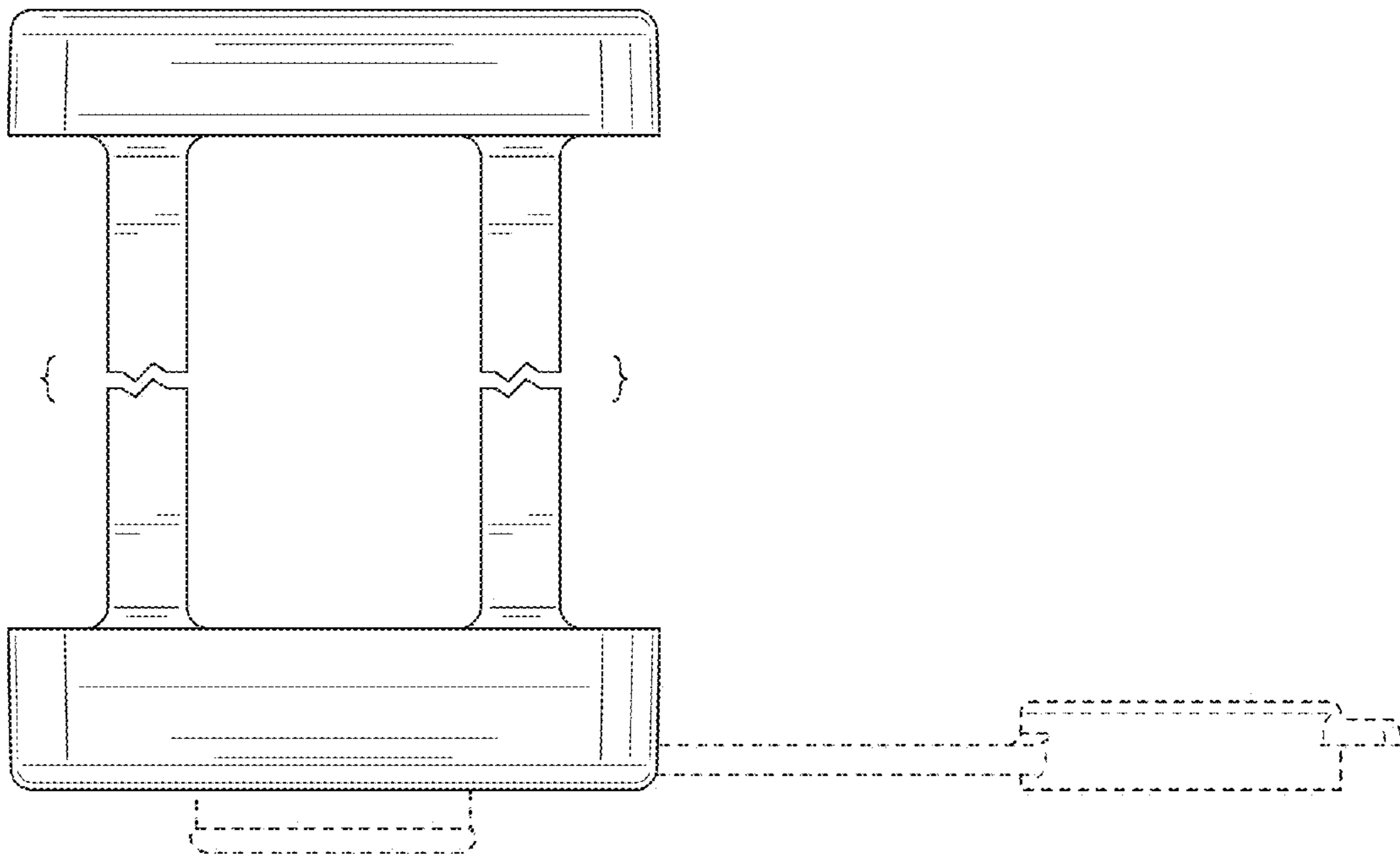


FIG. 2

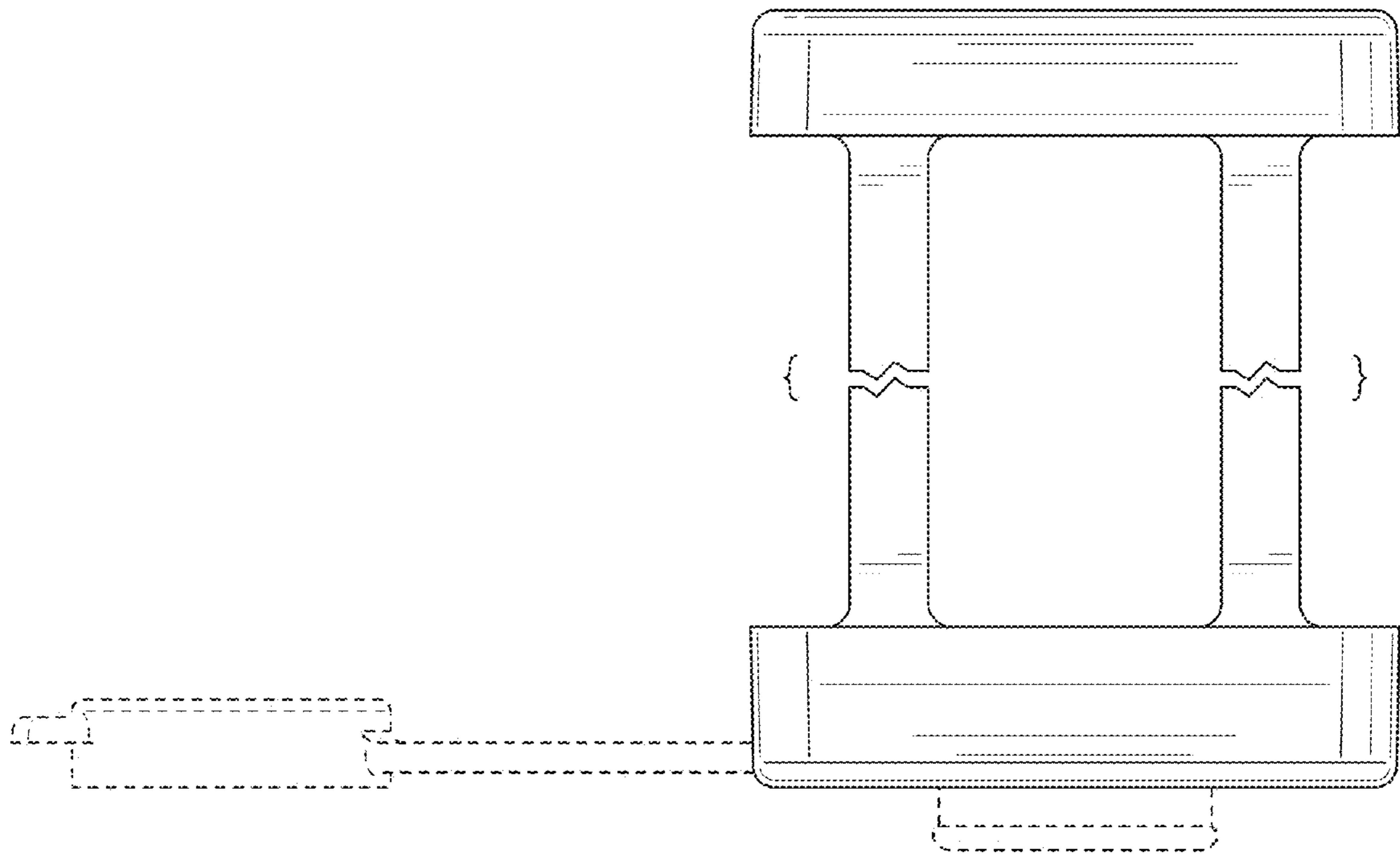


FIG. 3

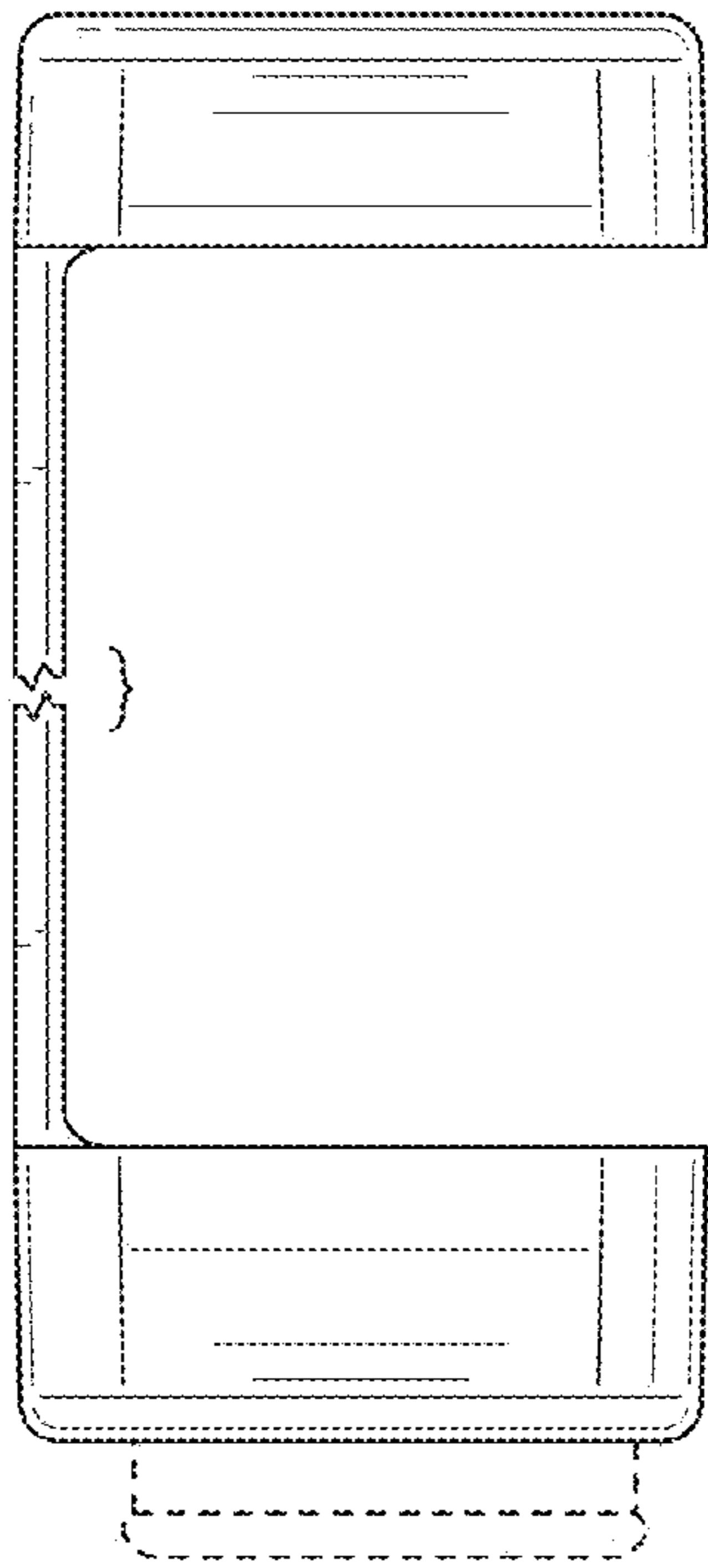


FIG. 4

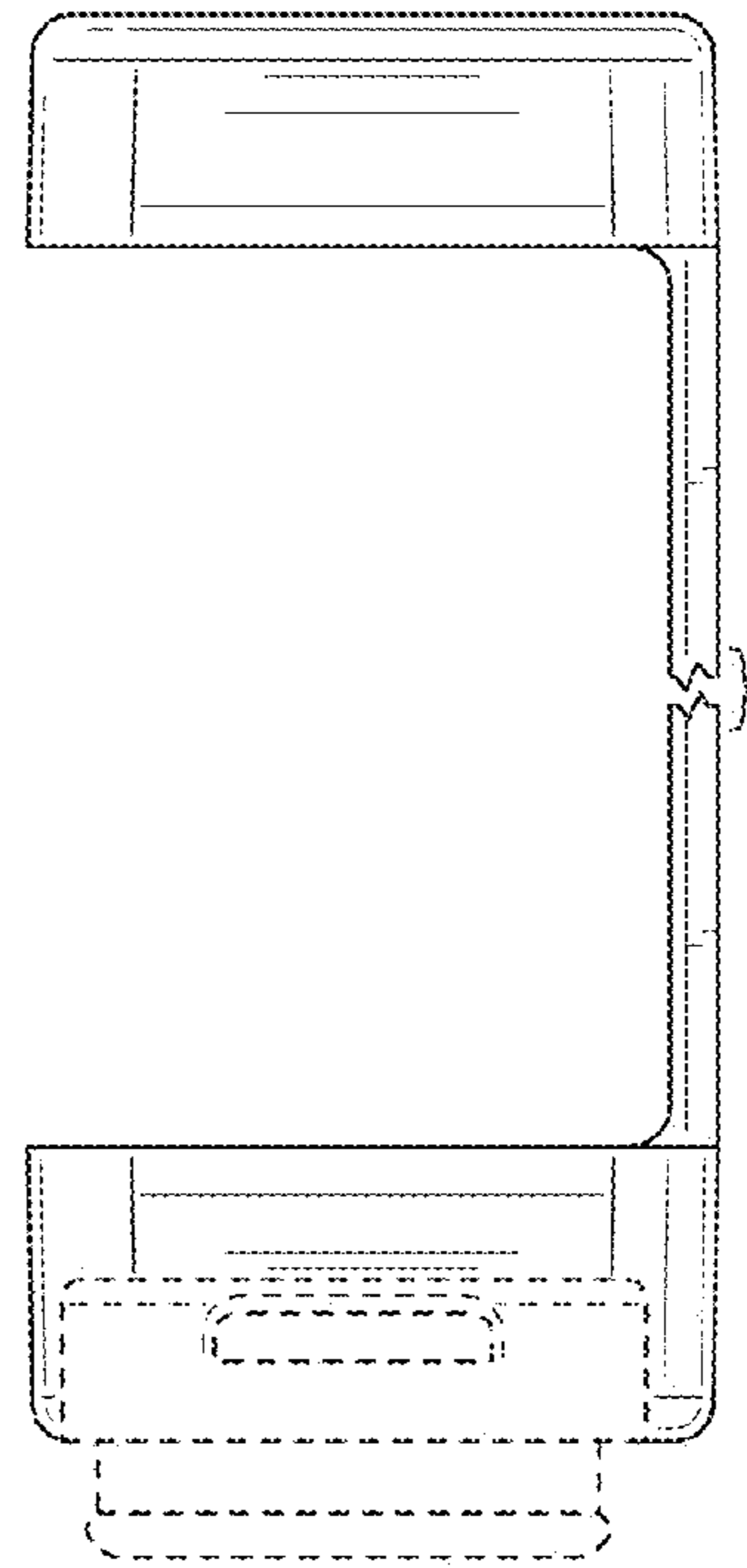


FIG. 5

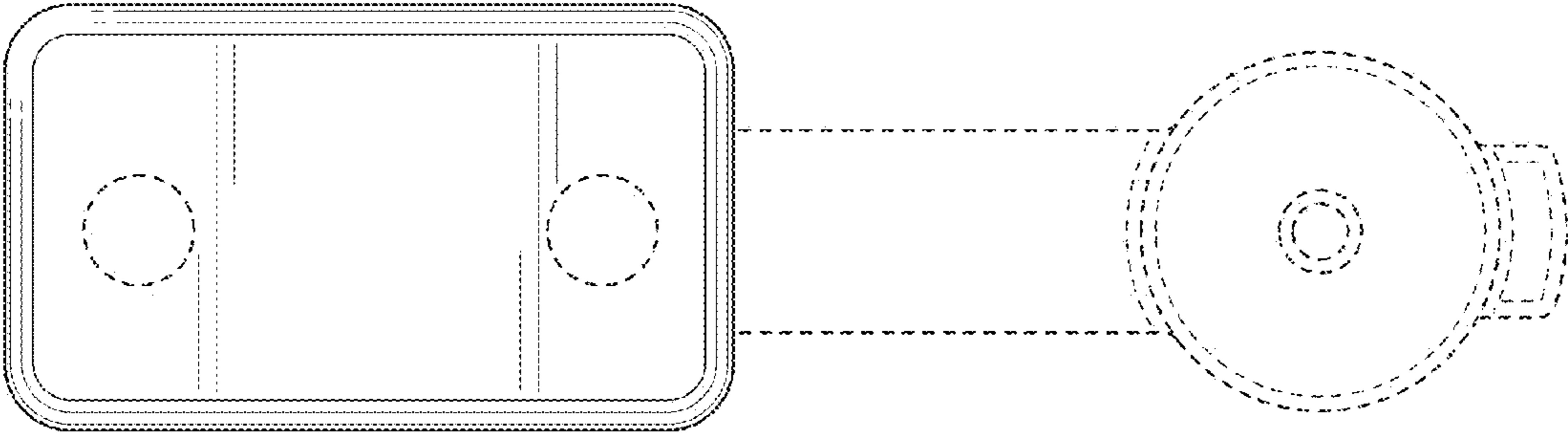


FIG. 6

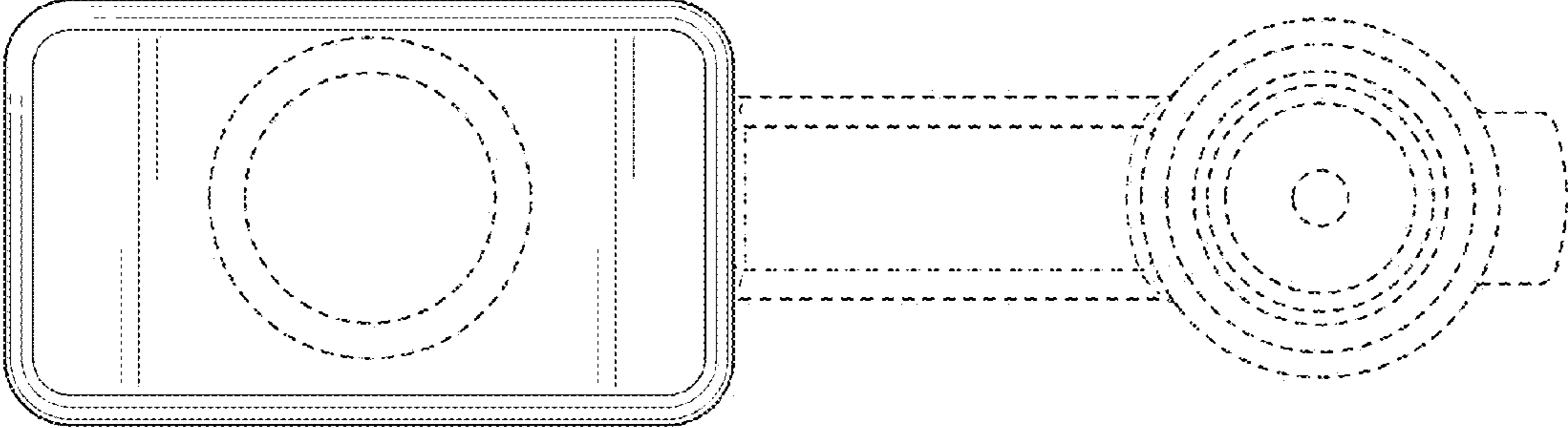


FIG. 7