

US00D724927S

(12) **United States Design Patent**
Fisher

(10) **Patent No.:** **US D724,927 S**
(45) **Date of Patent:** **** Mar. 24, 2015**

(54) **HANDLE FOR CONTROLLING A POWER TOOL**

D686,451 S * 7/2013 Hasuike D7/395
2013/0133211 A1* 5/2013 Cantore et al. 30/401
2013/0276844 A1* 10/2013 Moulton 135/67

(71) Applicant: **James John Fisher**, Auckland (NZ)
(72) Inventor: **James John Fisher**, Auckland (NZ)
(73) Assignee: **Brand Developers Ltd.**, Auckland (NZ)
(**) Term: **14 Years**

* cited by examiner

Primary Examiner — Derrick Holland
Assistant Examiner — Lauren Calve
(74) *Attorney, Agent, or Firm* — Jonathan A. Kidney;
TechLaw, LLP

(21) Appl. No.: **29/494,114**
(22) Filed: **Jun. 17, 2014**

(57) **CLAIM**
The ornamental design for a handle for controlling a power tool, as shown and described.

(30) **Foreign Application Priority Data**

DESCRIPTION

Dec. 19, 2013 (AU) 201316676
(51) **LOC (10) Cl.** **08-06**
(52) **U.S. Cl.**
USPC **D8/107**
(58) **Field of Classification Search**
USPC D8/12, 61, 68, 70, 71, 72, 74, 75-77,
D8/80, 83, 94, 98, 99, 101, 102, 104, 105,
D8/107, 300, 303, 307; D21/568, 756,
D21/757; D22/117, 118; D7/393, 395, 642,
D7/664; D4/129, 138; 16/110.1, 421, 426,
16/430; 81/489, 487, 491
See application file for complete search history.

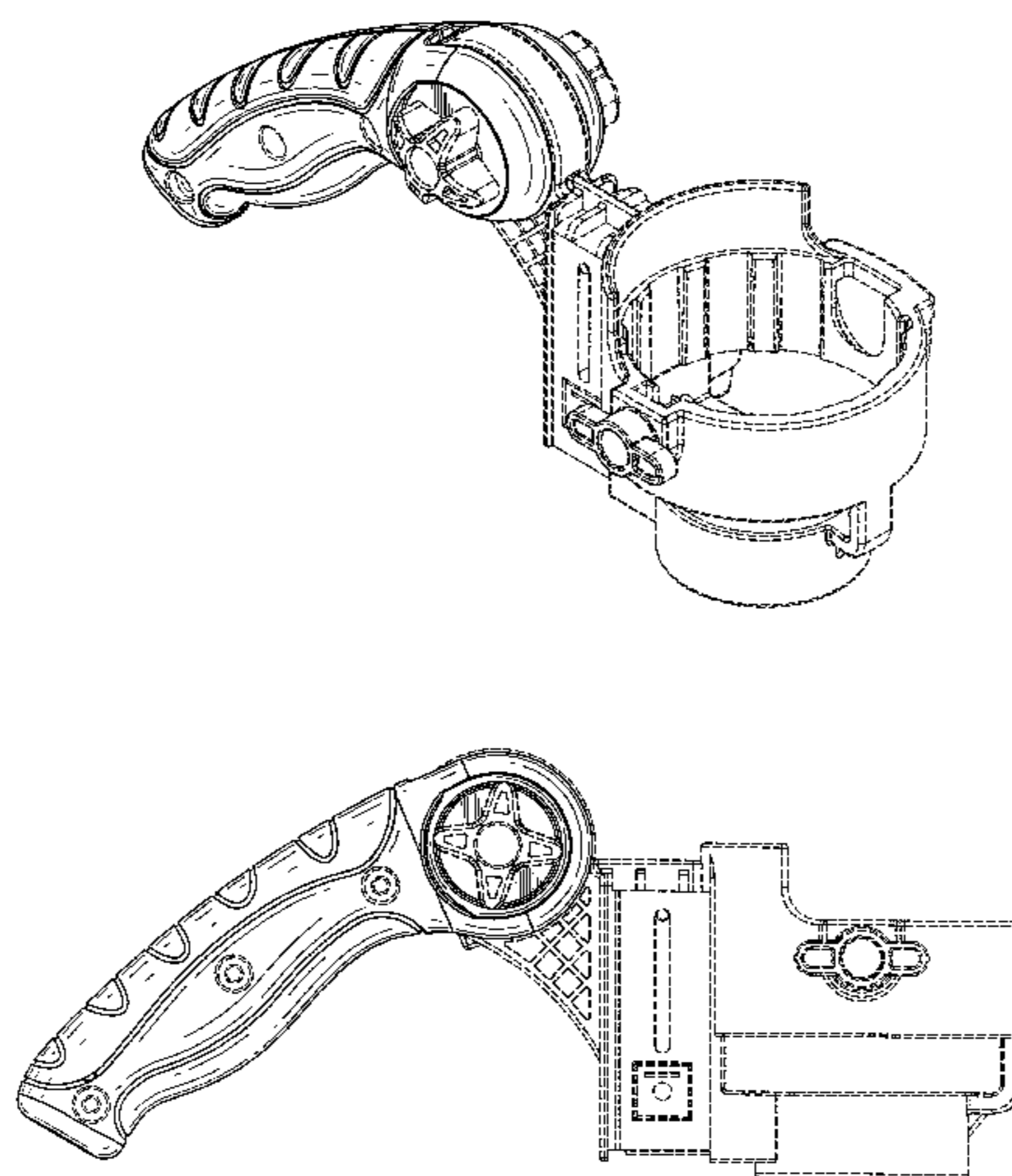
FIG. 1 is a rear, top perspective view of a handle for controlling a power tool showing my new design;
FIG. 2 is a front side view thereof;
FIG. 3 is a second rear, top perspective view thereof, shown in an environmental state;
FIG. 4 is a rear view of FIG. 1;
FIG. 5 is a top view of FIG. 1;
FIG. 6 is a bottom view of FIG. 1;
FIG. 7 is a right side view of FIG. 1;
FIG. 8 is a left side view of FIG. 1;
FIG. 9 is a rear, top perspective view of a handle for controlling a power tool, shown in an alternative configuration;
FIG. 10 is a front side view thereof;
FIG. 11 is a second rear, top perspective view thereof, shown in an environmental state;
FIG. 12 is a third rear, top perspective view of FIG. 9;
FIG. 13 is a rear view of FIG. 9;
FIG. 14 is a top view of FIG. 9;
FIG. 15 is a bottom view of FIG. 9;
FIG. 16 is a right side view of FIG. 9; and,
FIG. 17 is a left side view of FIG. 9.
The broken lines shown represent unclaimed subject matter and form no part of the claimed design.

(56) **References Cited**

U.S. PATENT DOCUMENTS

D391,127 S * 2/1998 Yeh D8/5
D423,282 S * 4/2000 Montgelard D7/395
D426,424 S * 6/2000 Callahan et al. D7/395
D463,714 S * 10/2002 Munari D7/395
D542,108 S * 5/2007 Chu D8/61
D582,239 S * 12/2008 Eby et al. D8/98
D600,025 S * 9/2009 Hill et al. D4/114
D625,572 S * 10/2010 Hoertnagl D8/45
D679,976 S * 4/2013 Chiu D8/107

1 Claim, 17 Drawing Sheets



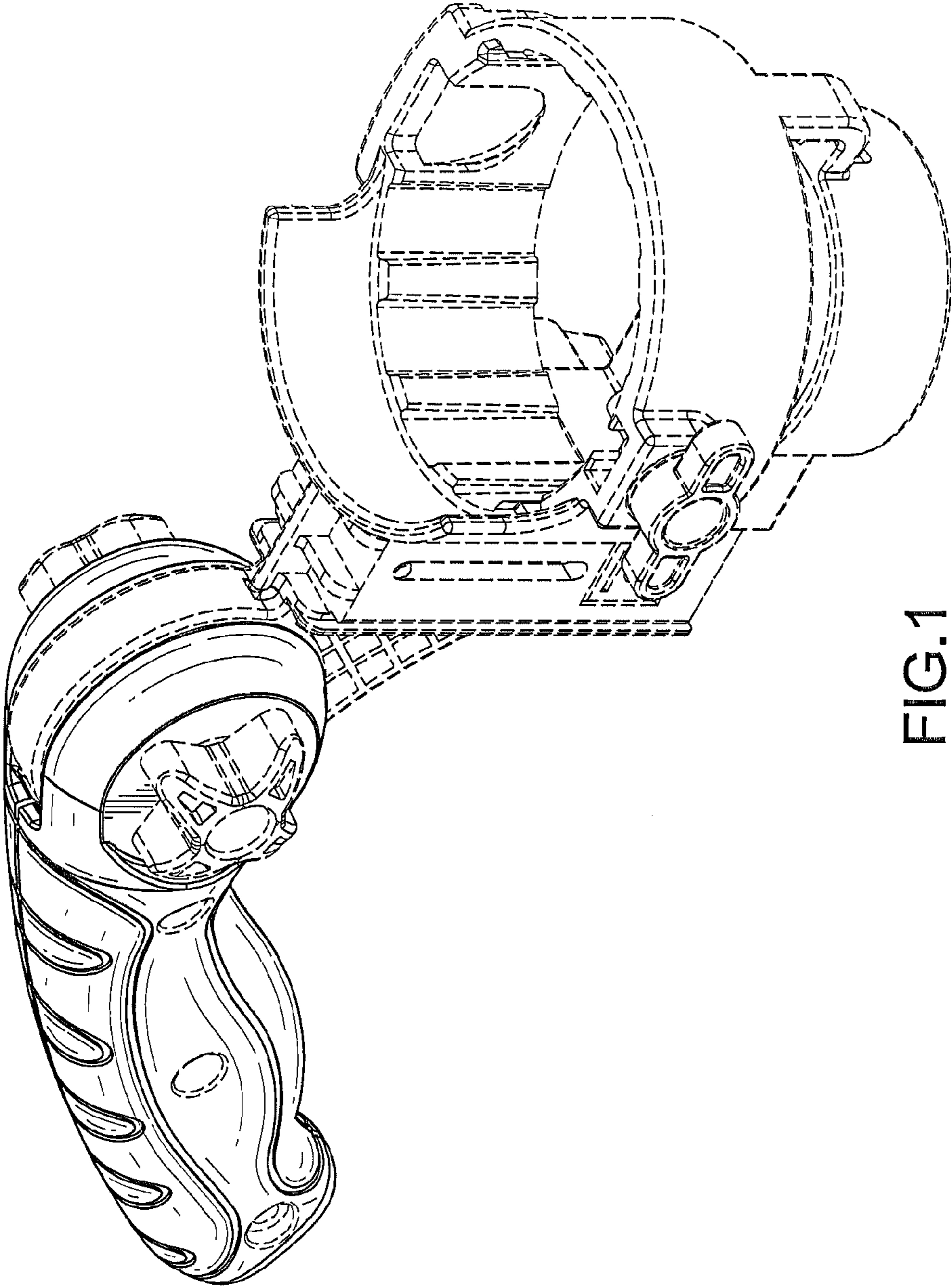


FIG. 1

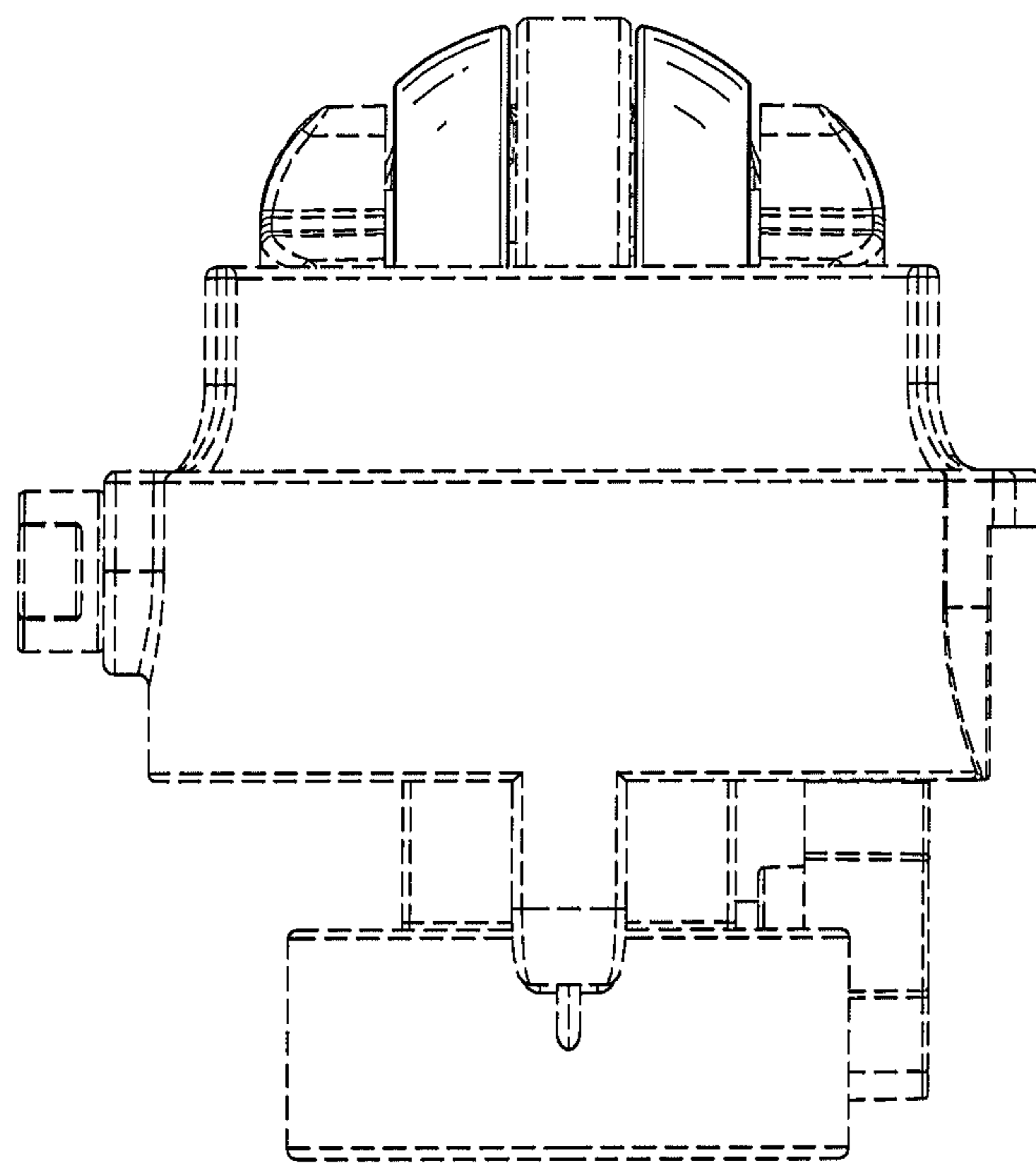


FIG.2

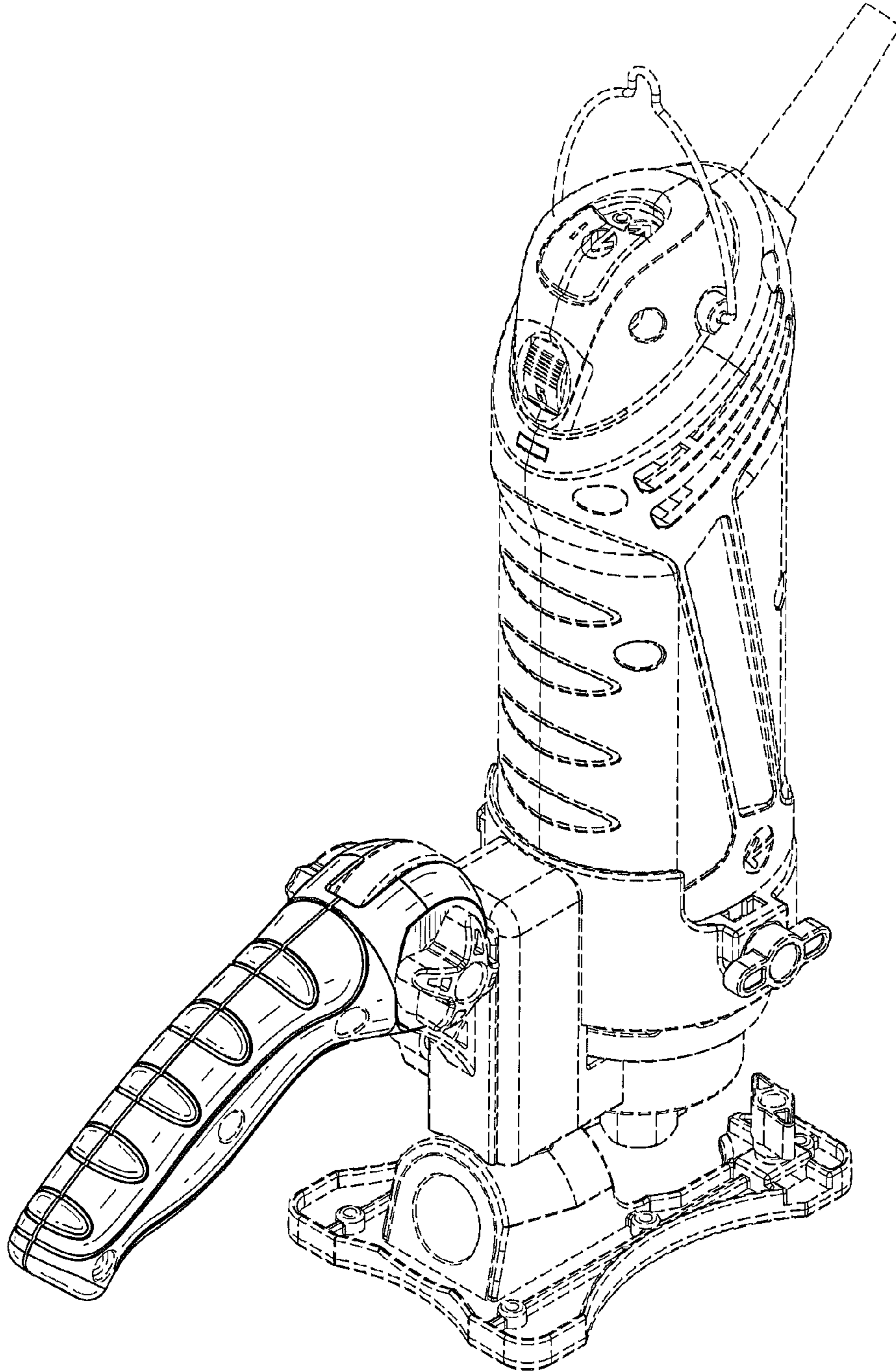


FIG.3

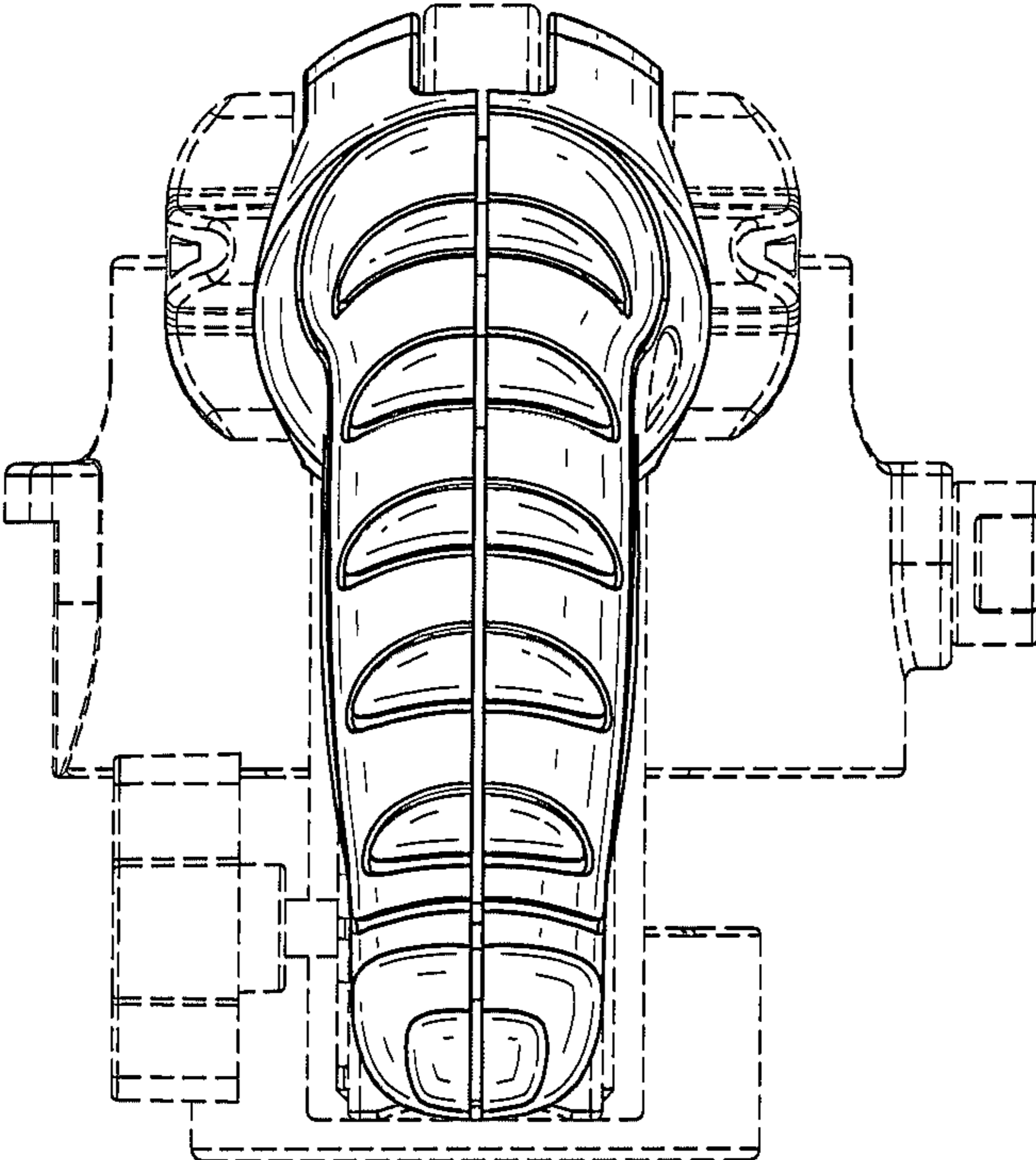


FIG.4

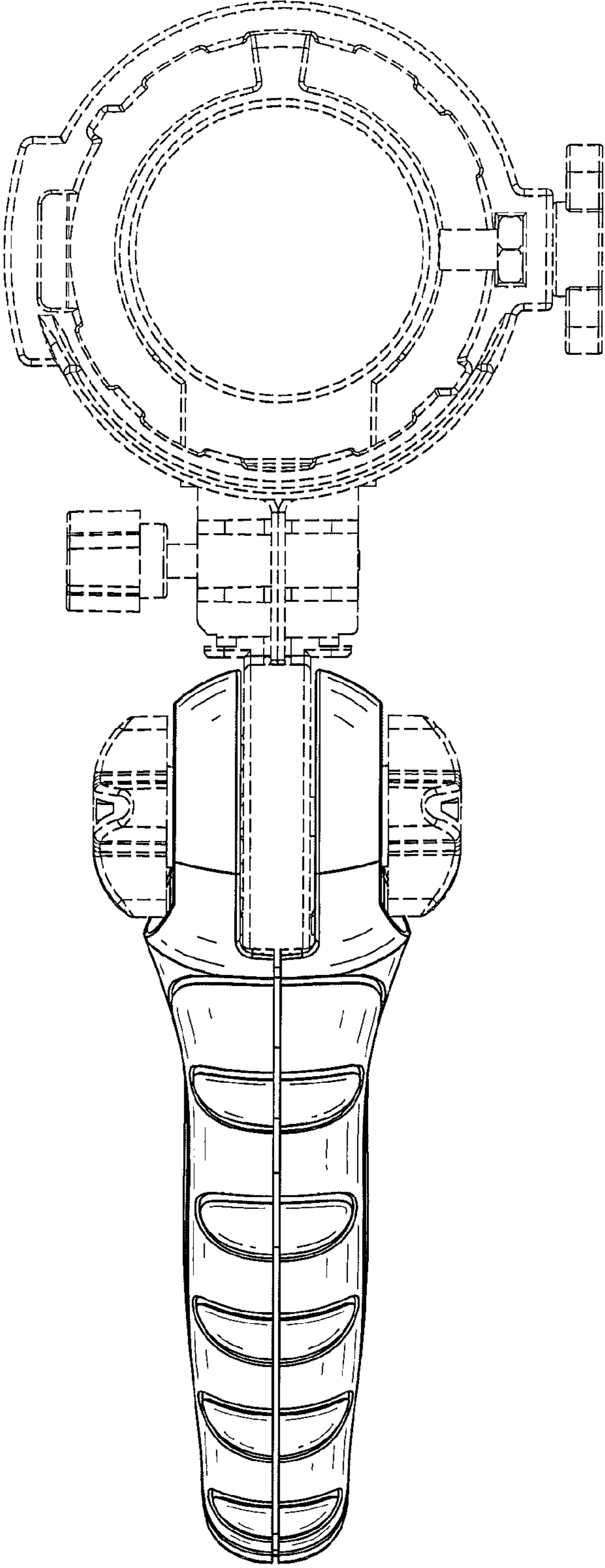


FIG.5

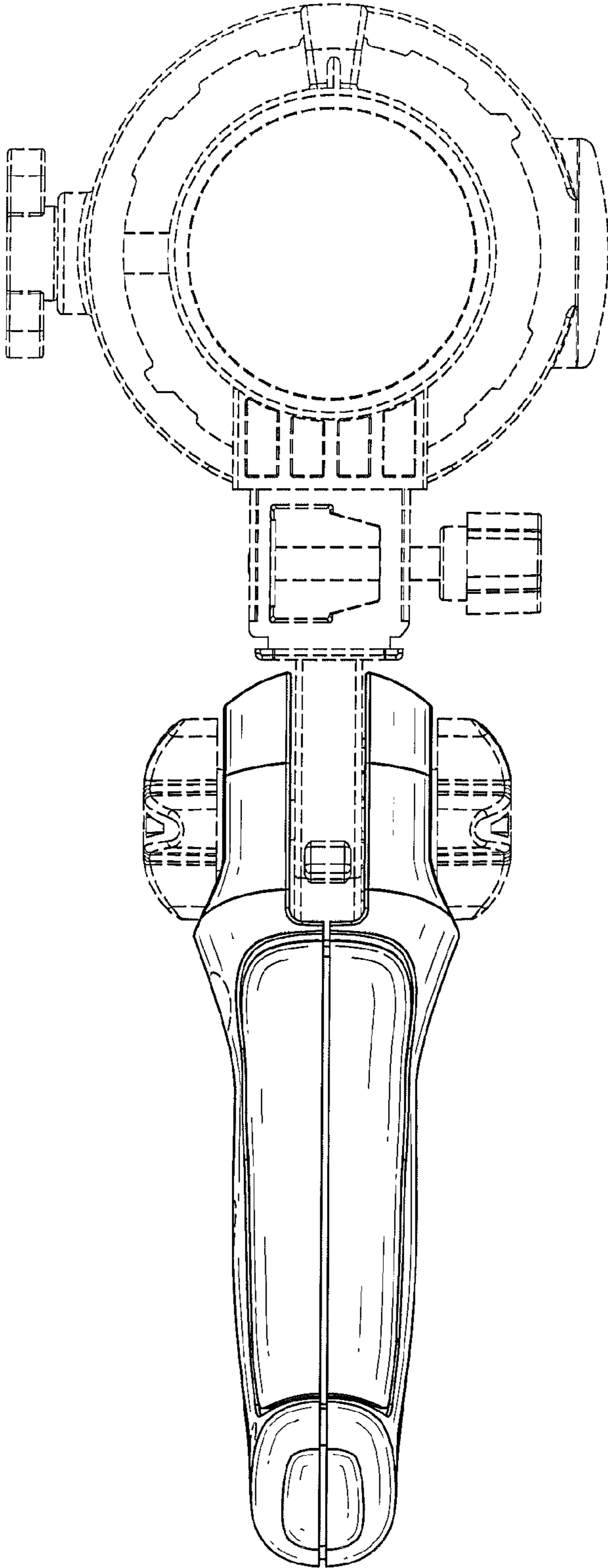


FIG.6

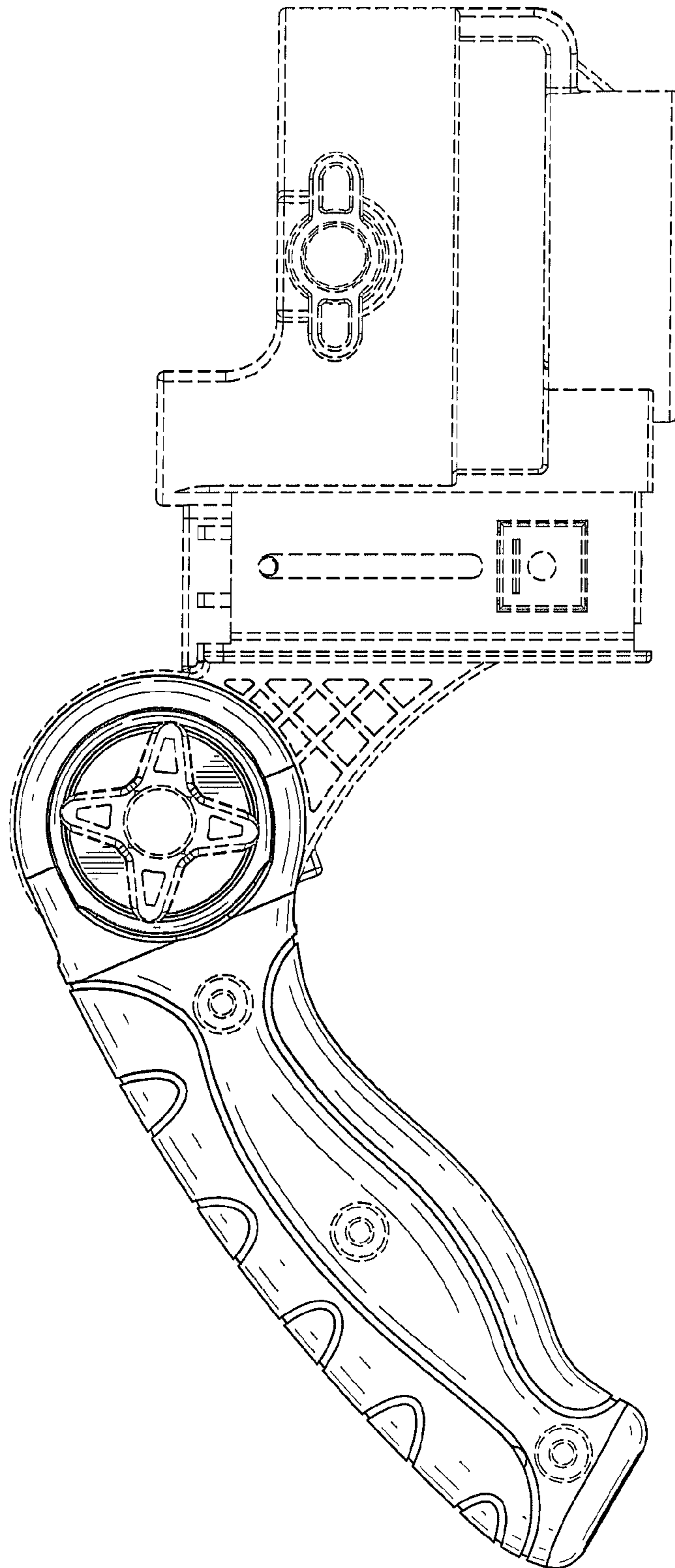


FIG.7

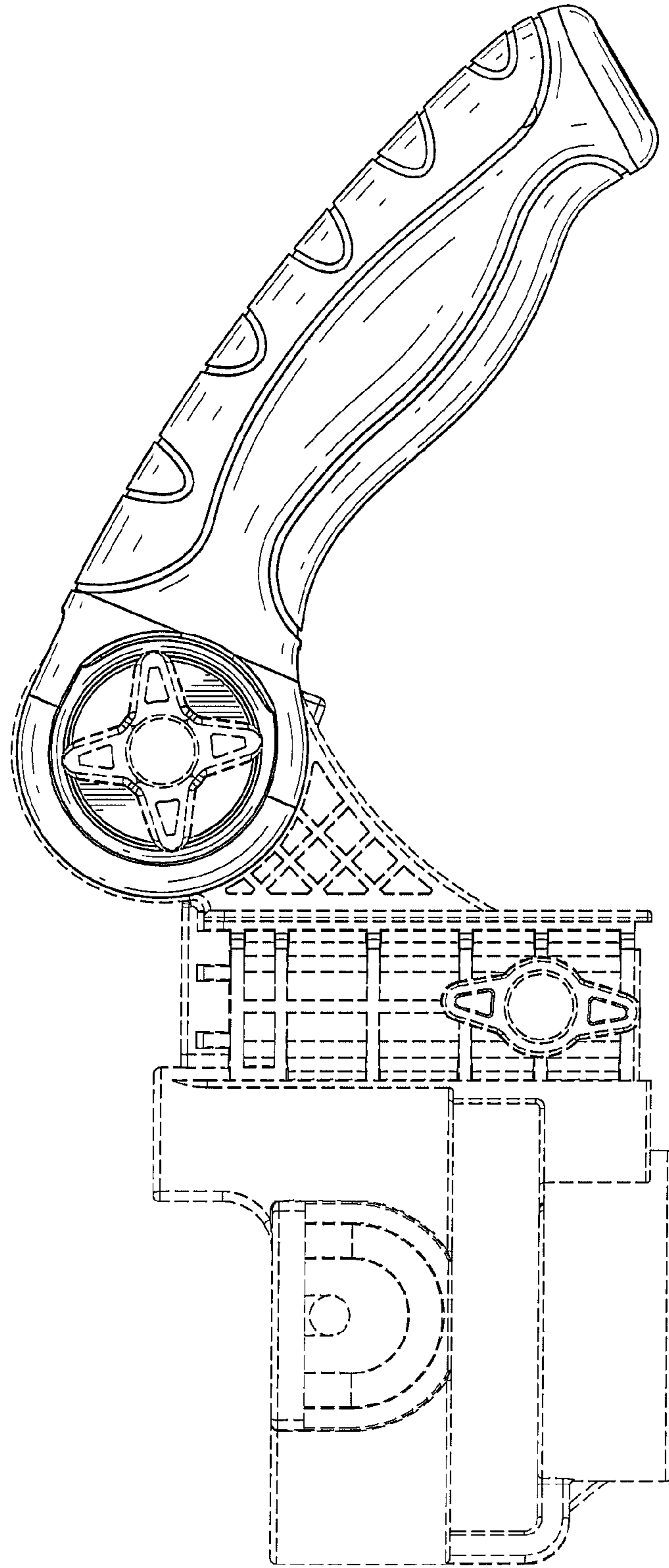


FIG.8

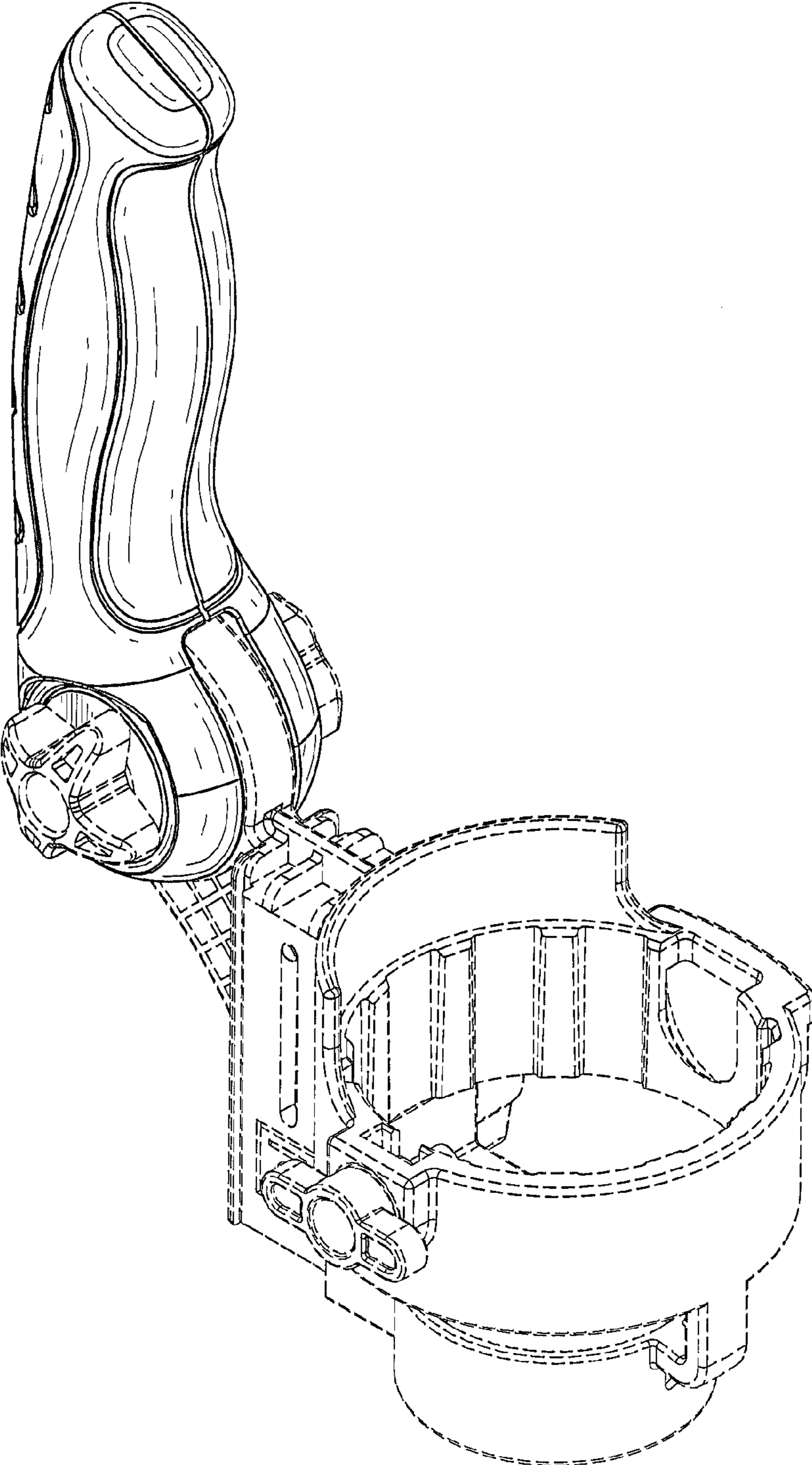


FIG. 9

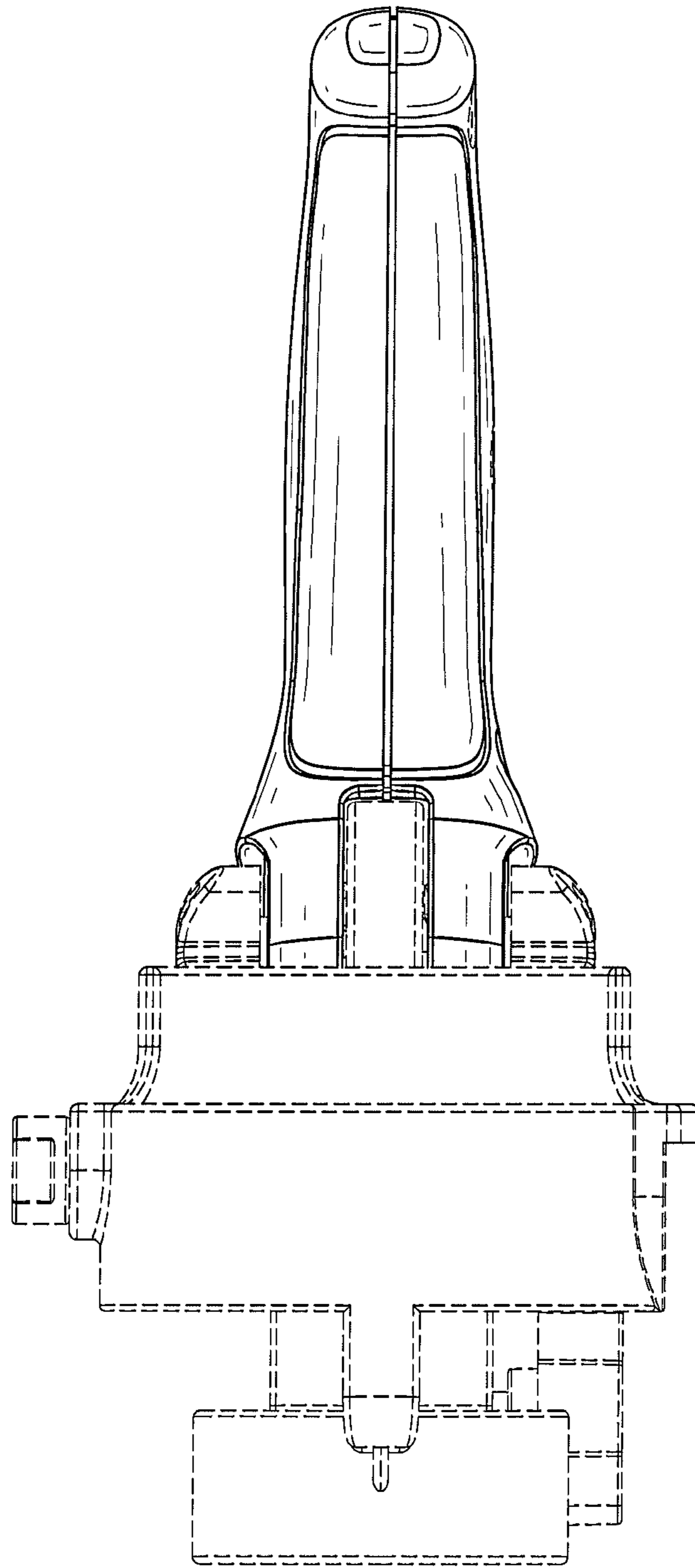


FIG.10

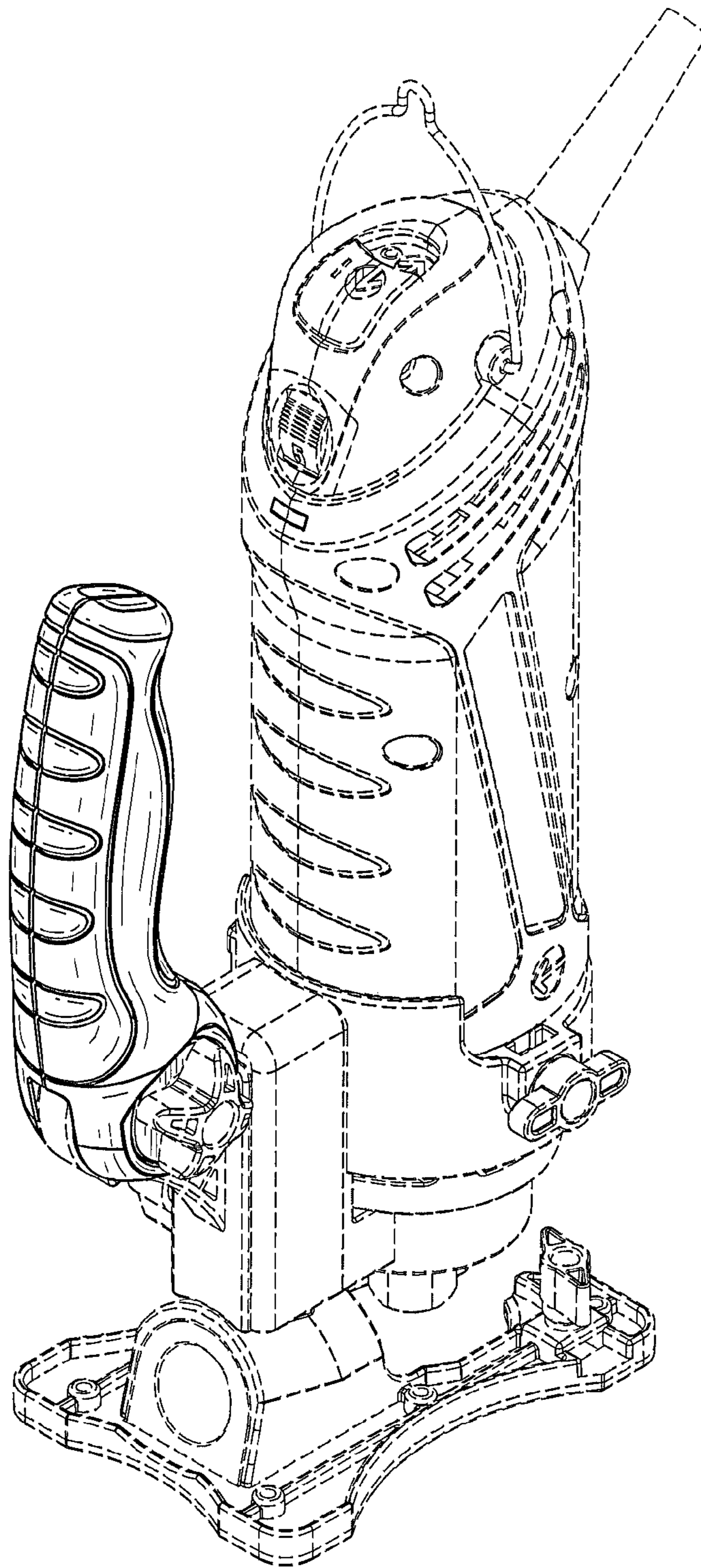


FIG.11

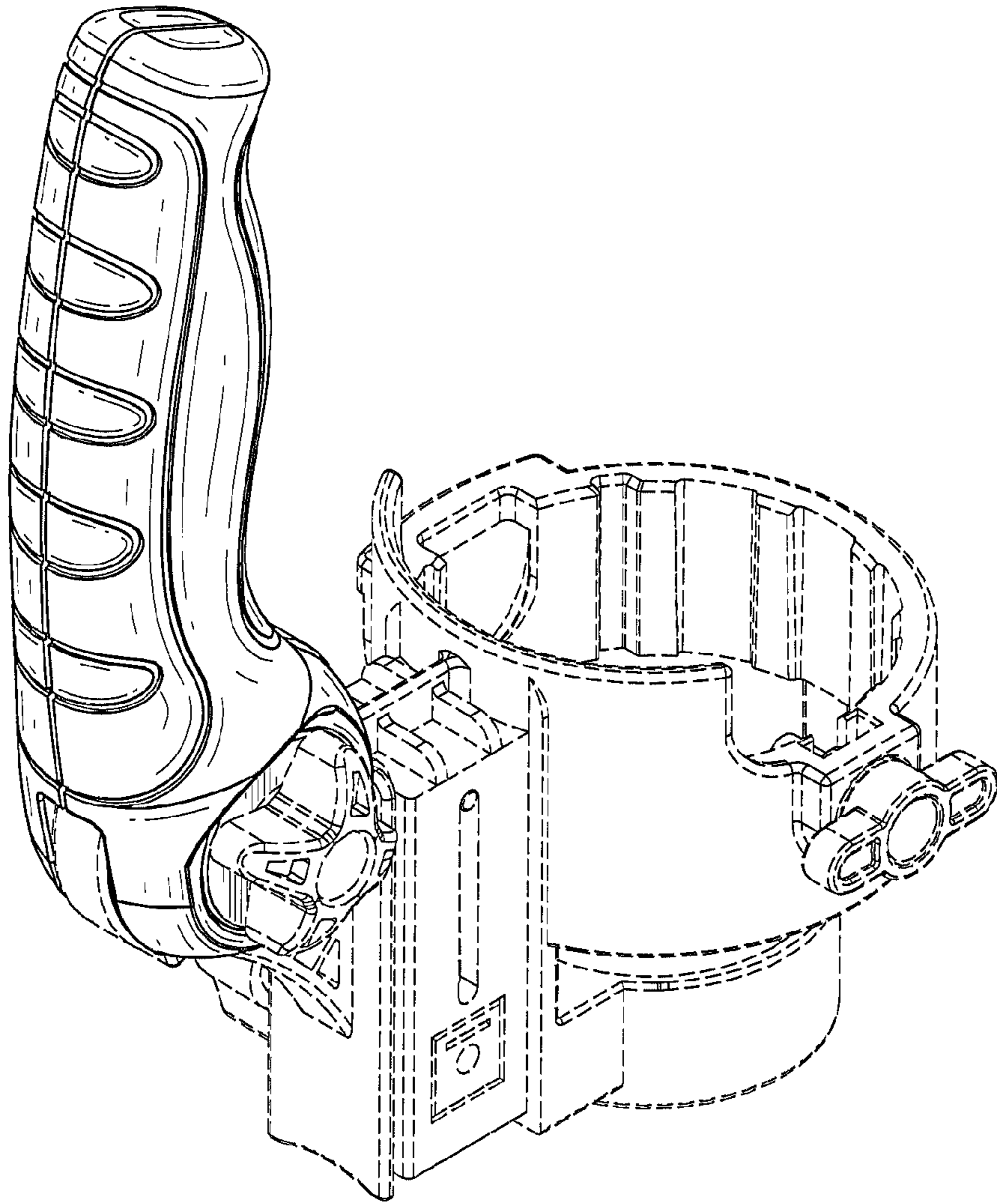


FIG.12

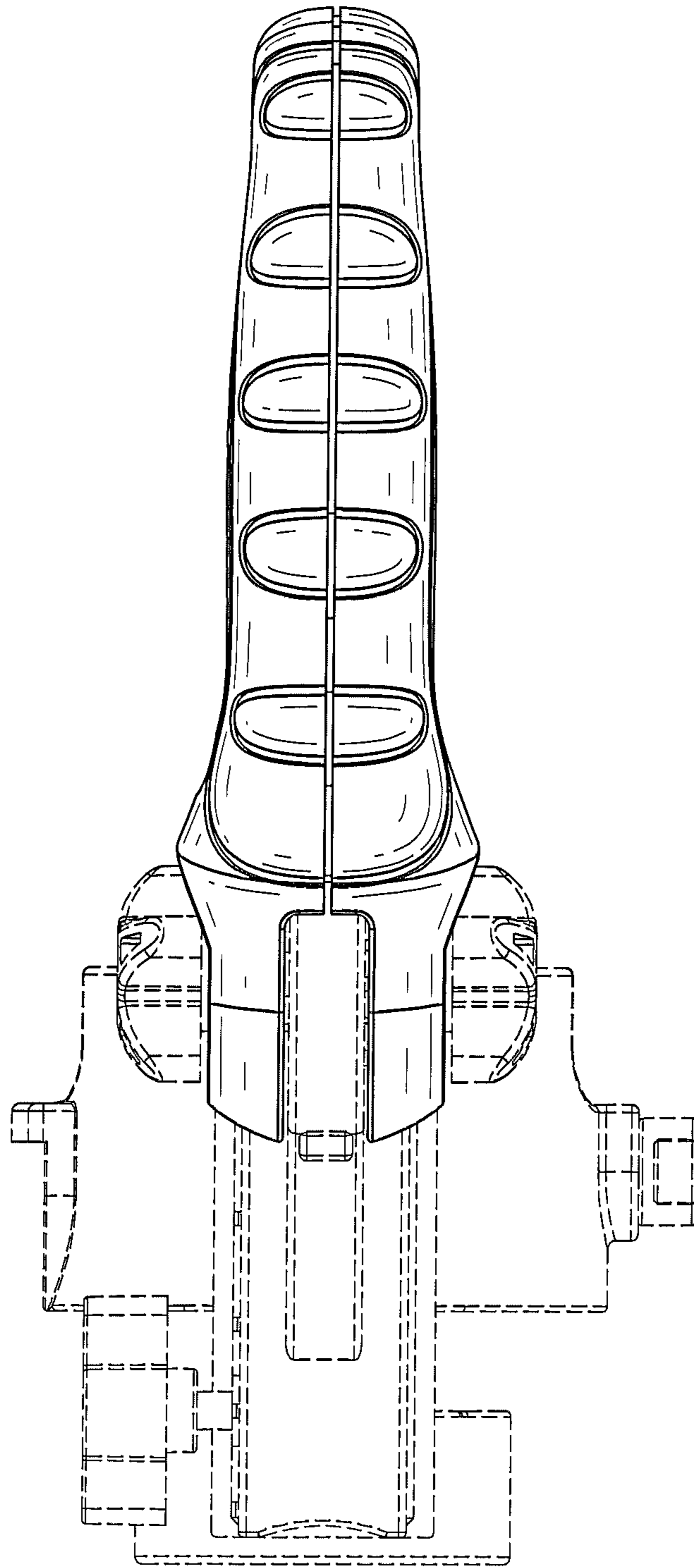


FIG.13

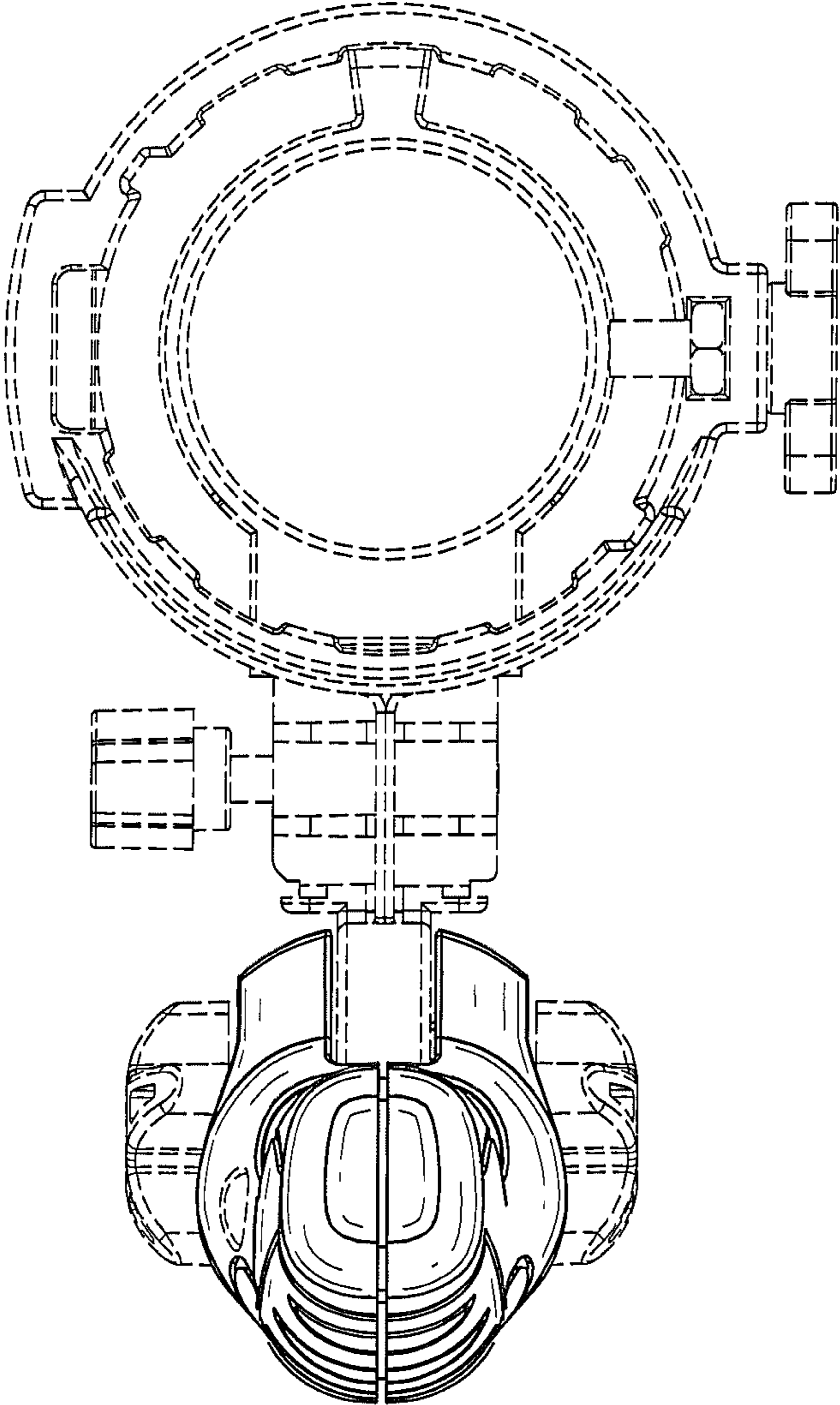


FIG.14

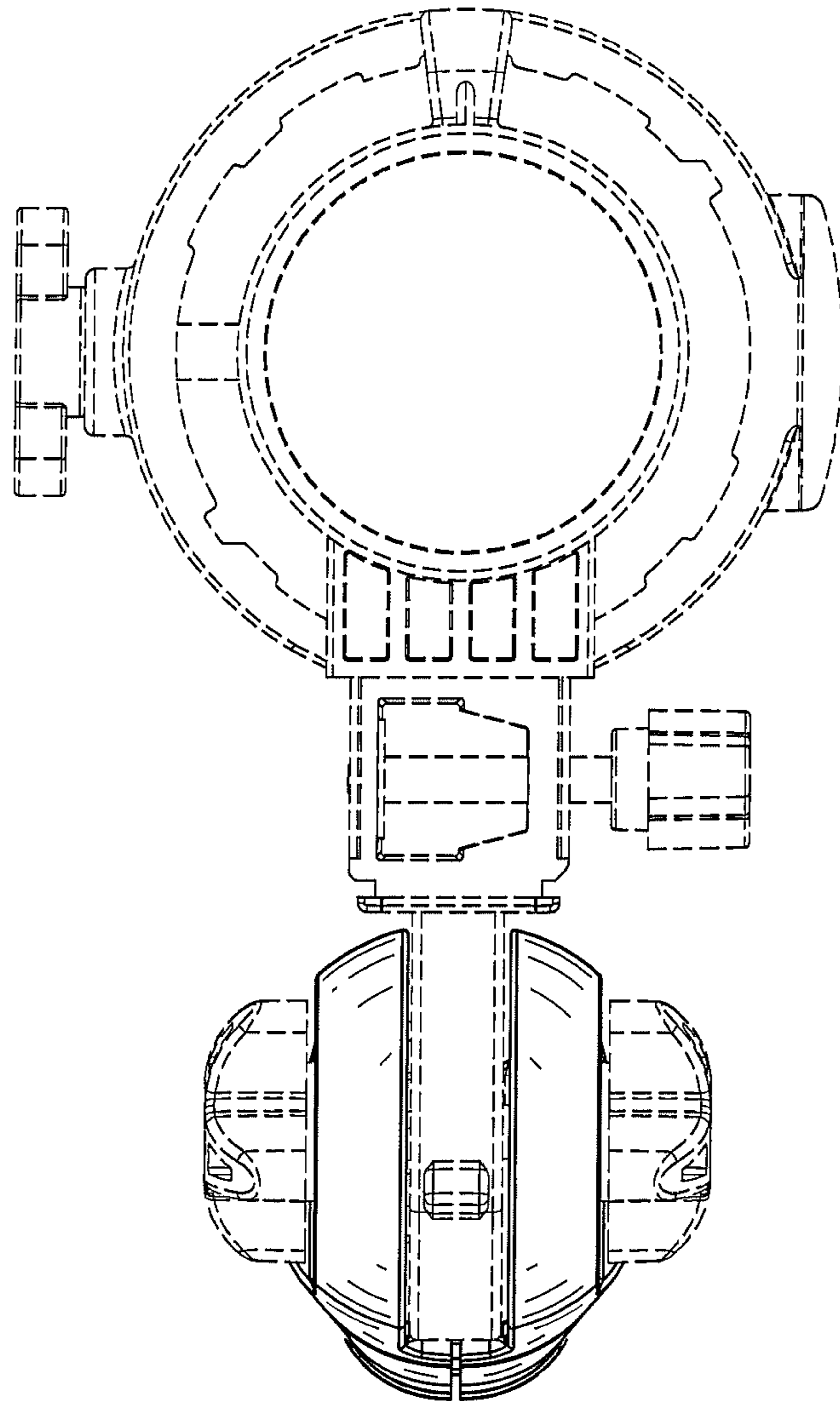


FIG.15

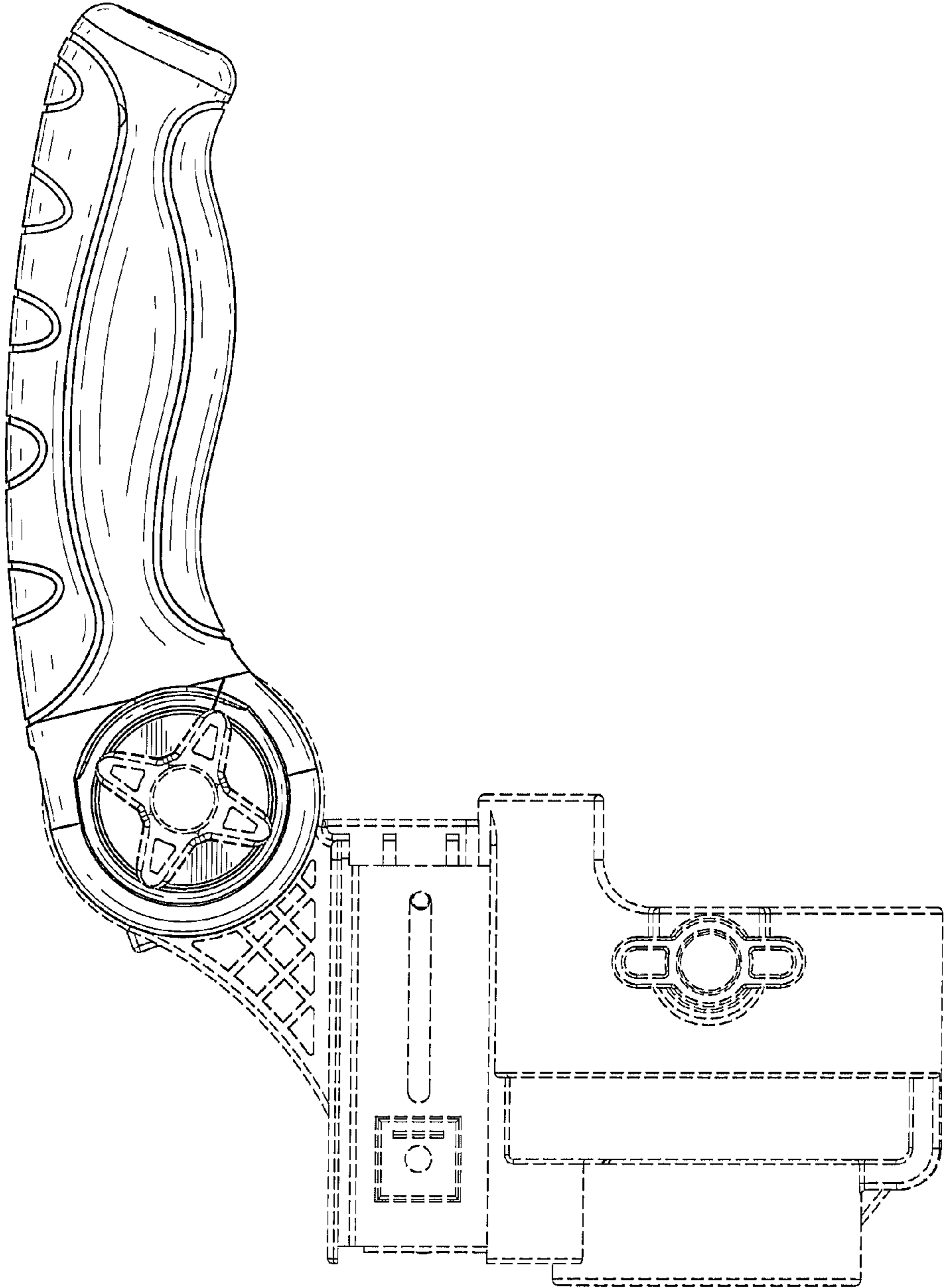


FIG.16

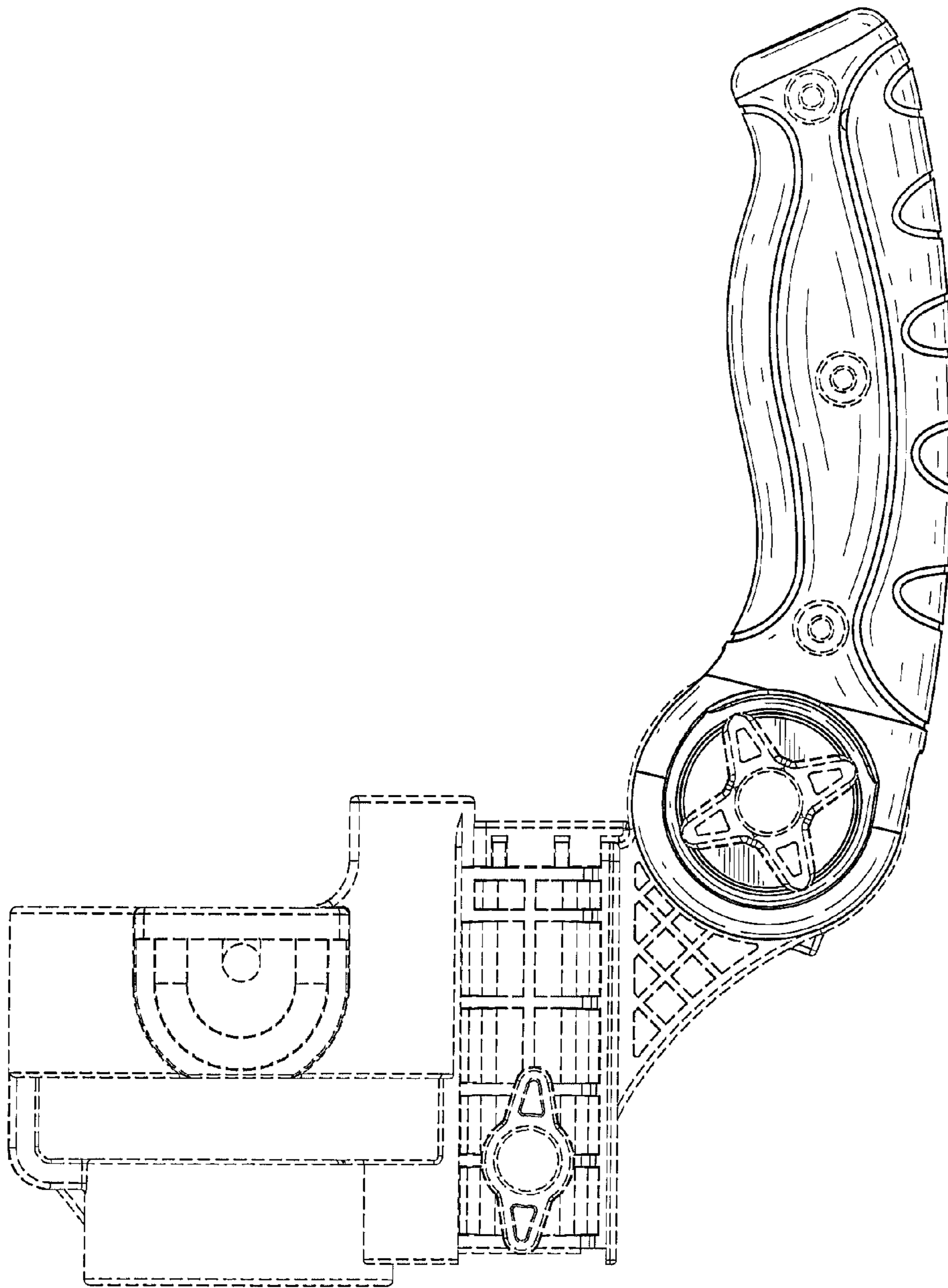


FIG.17