



US00D724926S

(12) **United States Design Patent**
Hernandez, Jr. et al.

(10) **Patent No.:** **US D724,926 S**
(45) **Date of Patent:** **** Mar. 24, 2015**

(54) **HANDLE FOR A MULTIFUNCTION TOOL**

(71) Applicant: **Alltrade Tools LLC**, Long Beach, CA
(US)

(72) Inventors: **Hector R. Hernandez, Jr.**, Fullerton,
CA (US); **Vincent W. Caito**, Pomona,
CA (US)

(73) Assignee: **Alltrade Tools, LLC**, Long Beach, CA
(US)

(**) Term: **14 Years**

(21) Appl. No.: **29/481,541**

(22) Filed: **Feb. 6, 2014**

(51) **LOC (10) Cl.** **08-03**

(52) **U.S. Cl.**
USPC **D8/105**

(58) **Field of Classification Search**
USPC D8/4, 5, 21-26, 99, 105, 106, 107, 300,
D8/306; D22/118; 30/153, 154, 155, 159,
30/160, 161; 81/52
See application file for complete search history.

(56) **References Cited**

U.S. PATENT DOCUMENTS

D508,194 S *	8/2005	Carter, III	D8/99
D696,920 S *	1/2014	Cagampang et al.	D8/99
D697,578 S *	1/2014	Ameis	D22/118
D698,406 S *	1/2014	Ameis	D22/118
D703,509 S *	4/2014	Hyma	D8/99

D703,510 S *	4/2014	Hyma	D8/99
D706,107 S *	6/2014	Pelton	D8/99
D709,982 S *	7/2014	Freeman et al.	D22/118
D710,178 S *	8/2014	Wu	D8/99
D716,411 S *	10/2014	Ameis	D22/118

* cited by examiner

Primary Examiner — Susan Bennett Hattan

Assistant Examiner — Leanne Was

(74) *Attorney, Agent, or Firm* — Fulwider Patton LLP

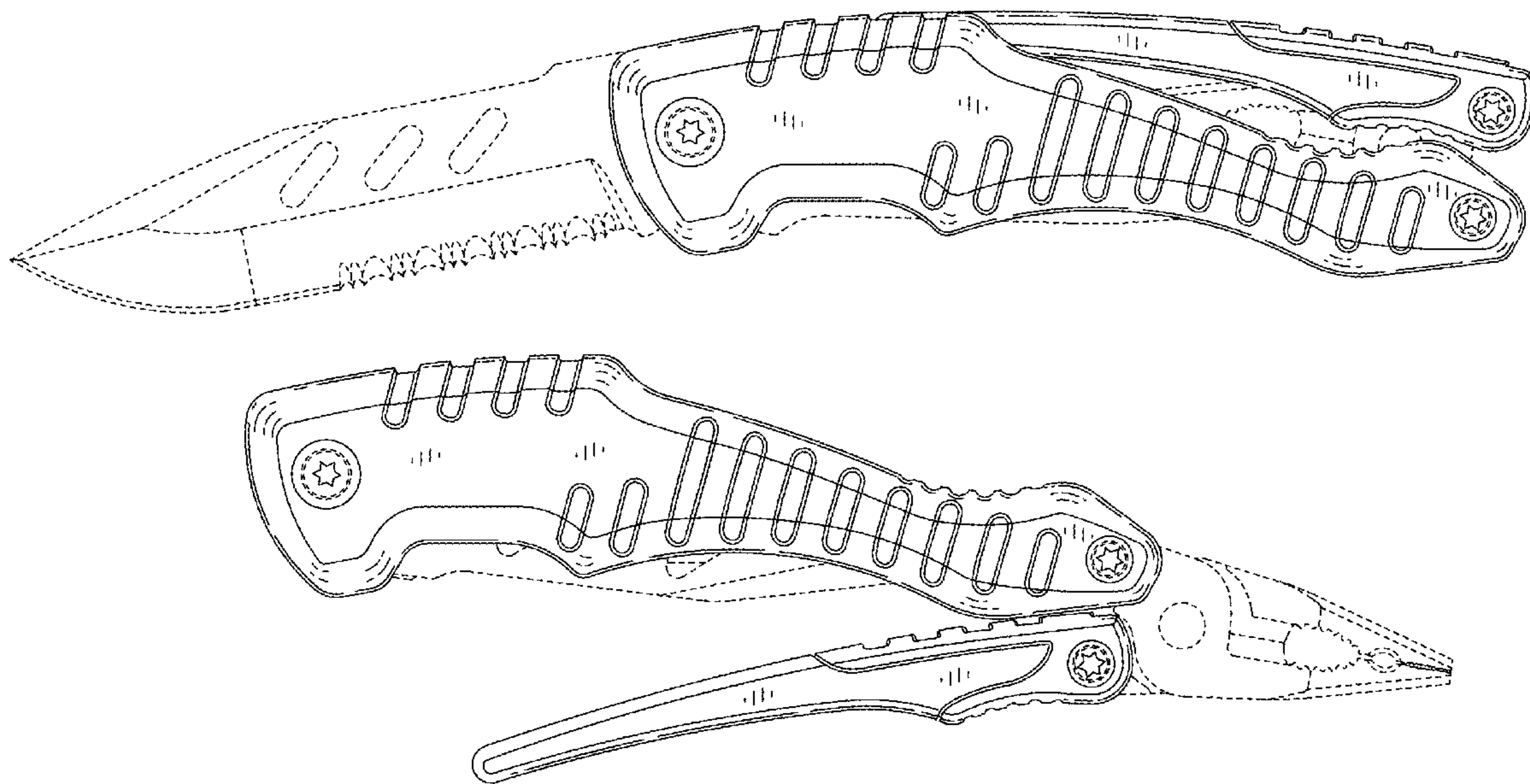
(57) **CLAIM**

The ornamental design for a handle for a multifunction tool,
as shown and described.

DESCRIPTION

FIG. 1 is a front elevational view showing my new design in a first condition;
 FIG. 2 is a rear elevational view thereof;
 FIG. 3 is a top view thereof;
 FIG. 4 is a bottom view thereof;
 FIG. 5 is a left side view thereof; and
 FIG. 6 is a right side view thereof;
 FIG. 7 is a front elevational view showing my new design in a second condition;
 FIG. 8 is a rear elevational view thereof;
 FIG. 9 is a top view thereof;
 FIG. 10 is a bottom view thereof;
 FIG. 11 is a left side view thereof; and,
 FIG. 12 is a right side view thereof.
 The broken lines show depict portions of the handle for a multifunction tool that form no part of the claim.

1 Claim, 4 Drawing Sheets



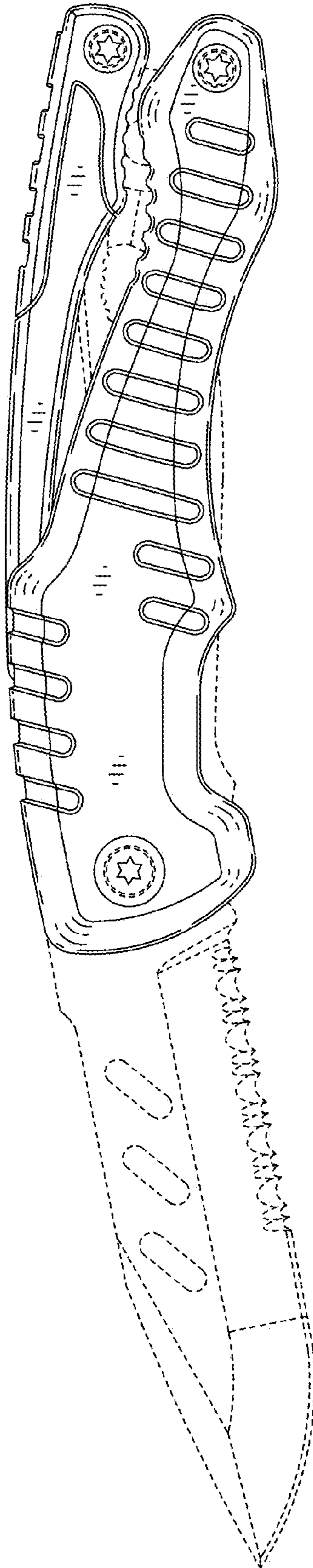


FIG. 1

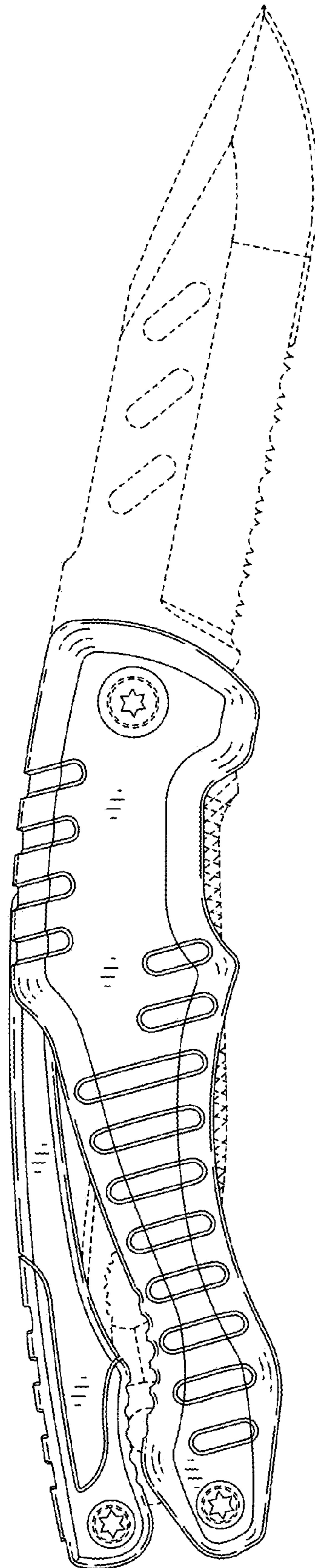


FIG. 2

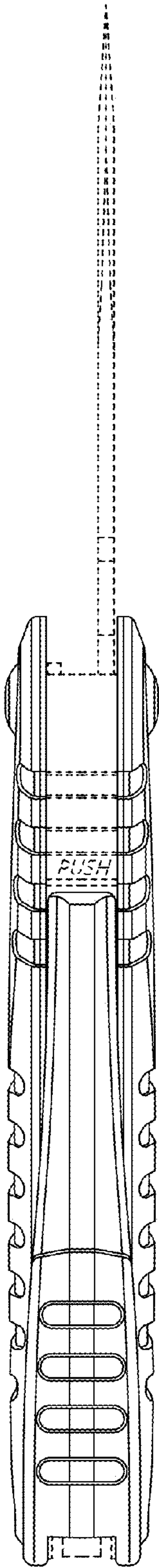


FIG. 3

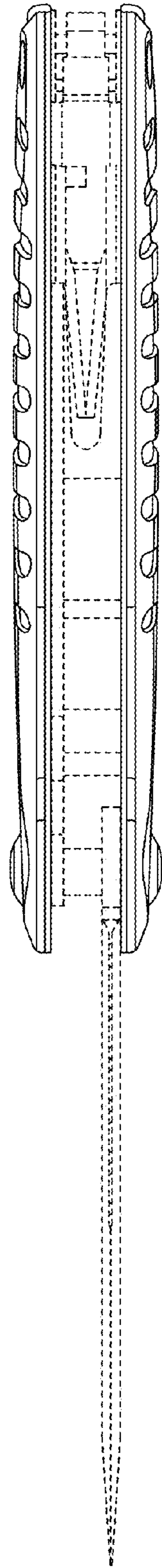


FIG. 4

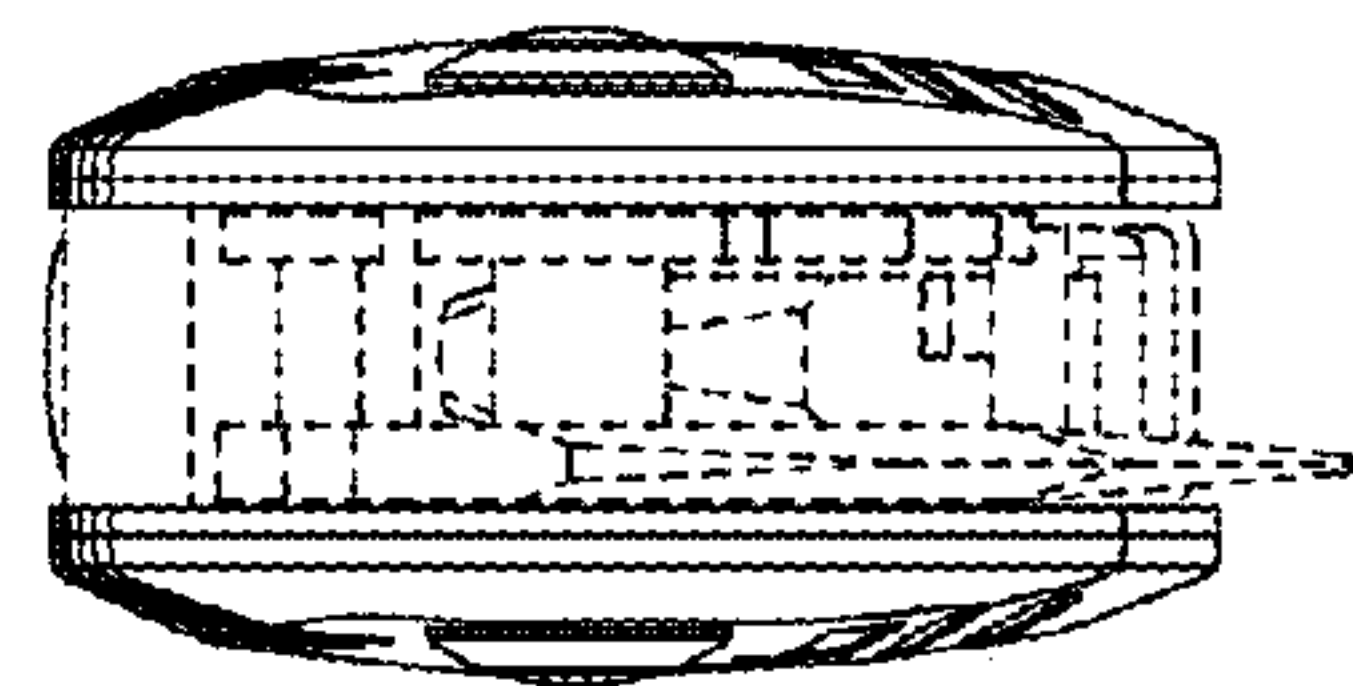


FIG. 5

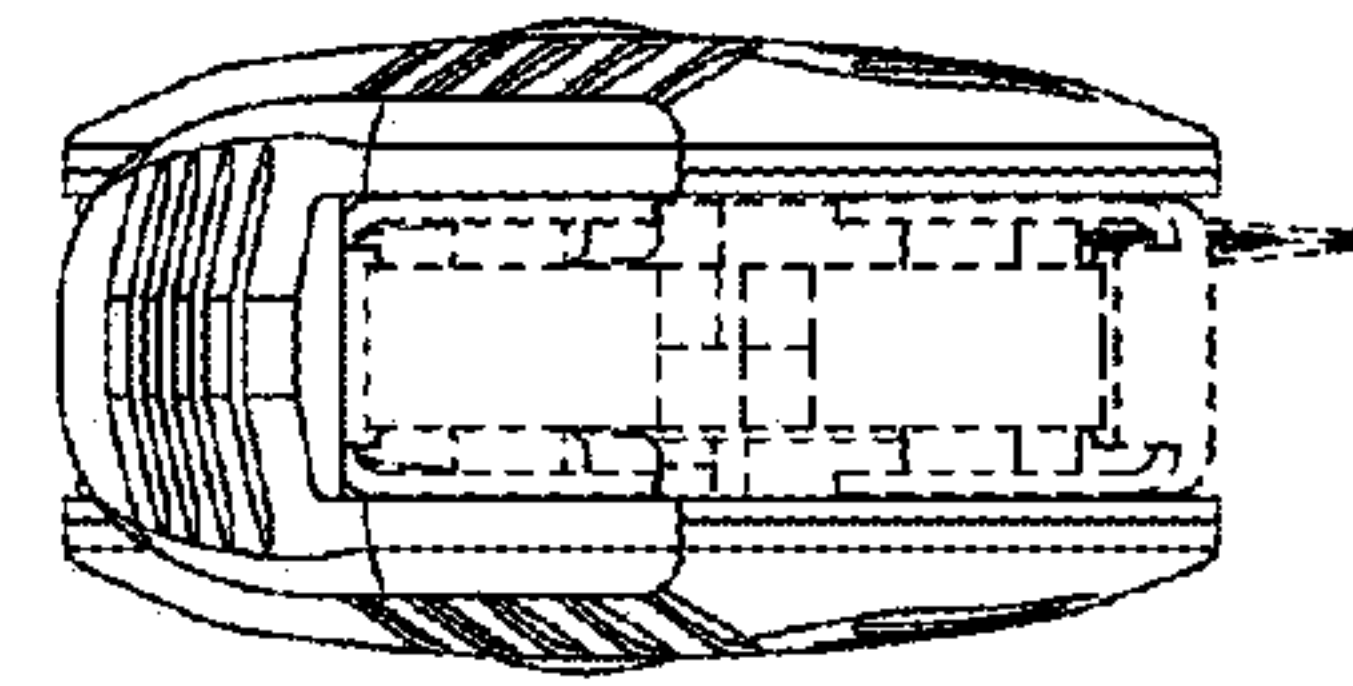


FIG. 6

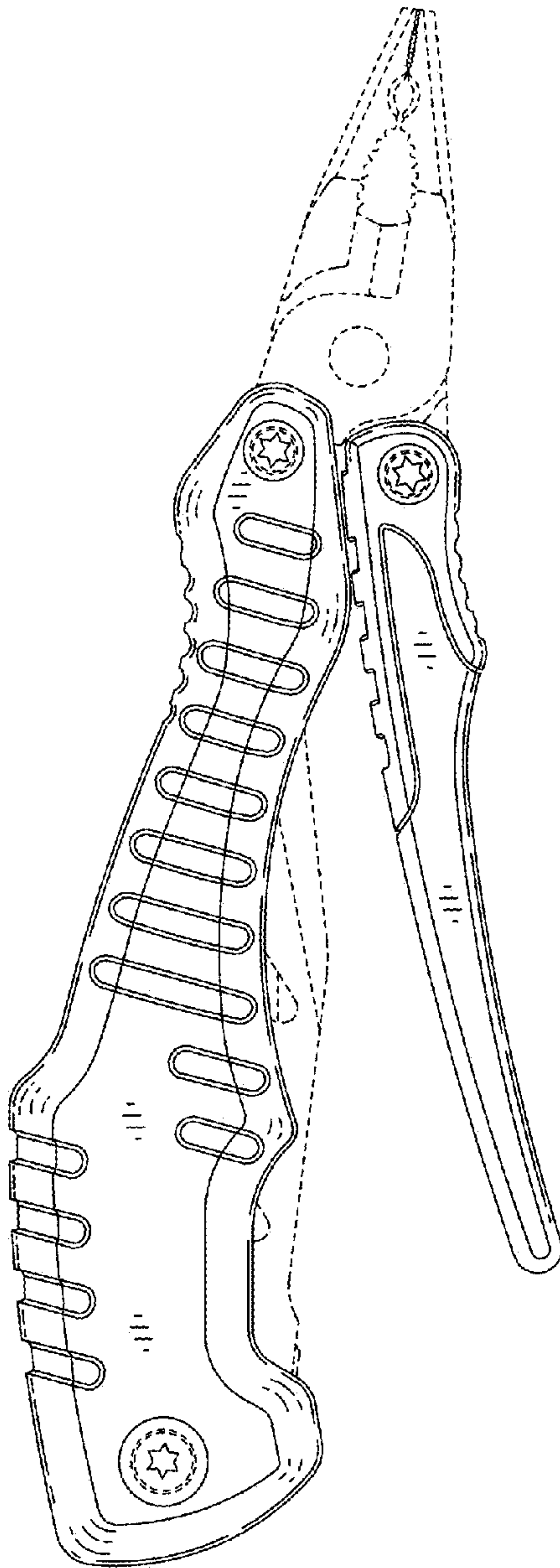


FIG. 7

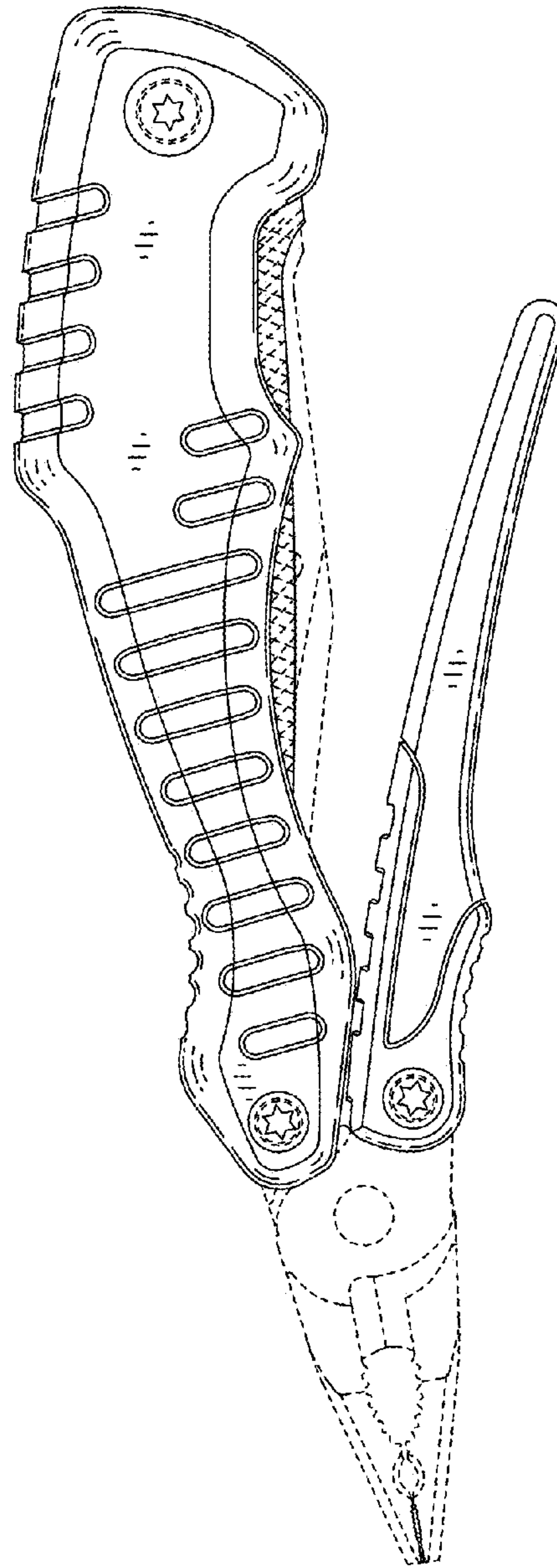


FIG. 8

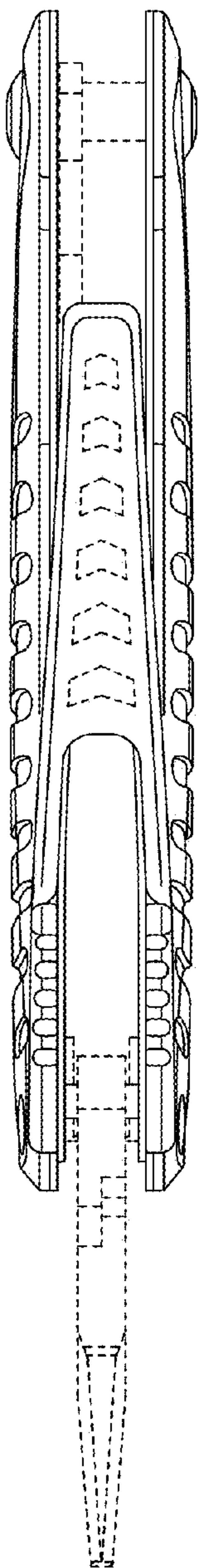


FIG. 9

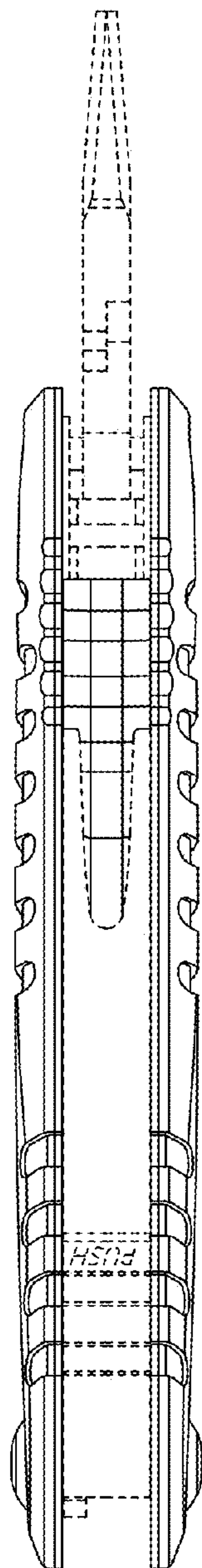


FIG. 10

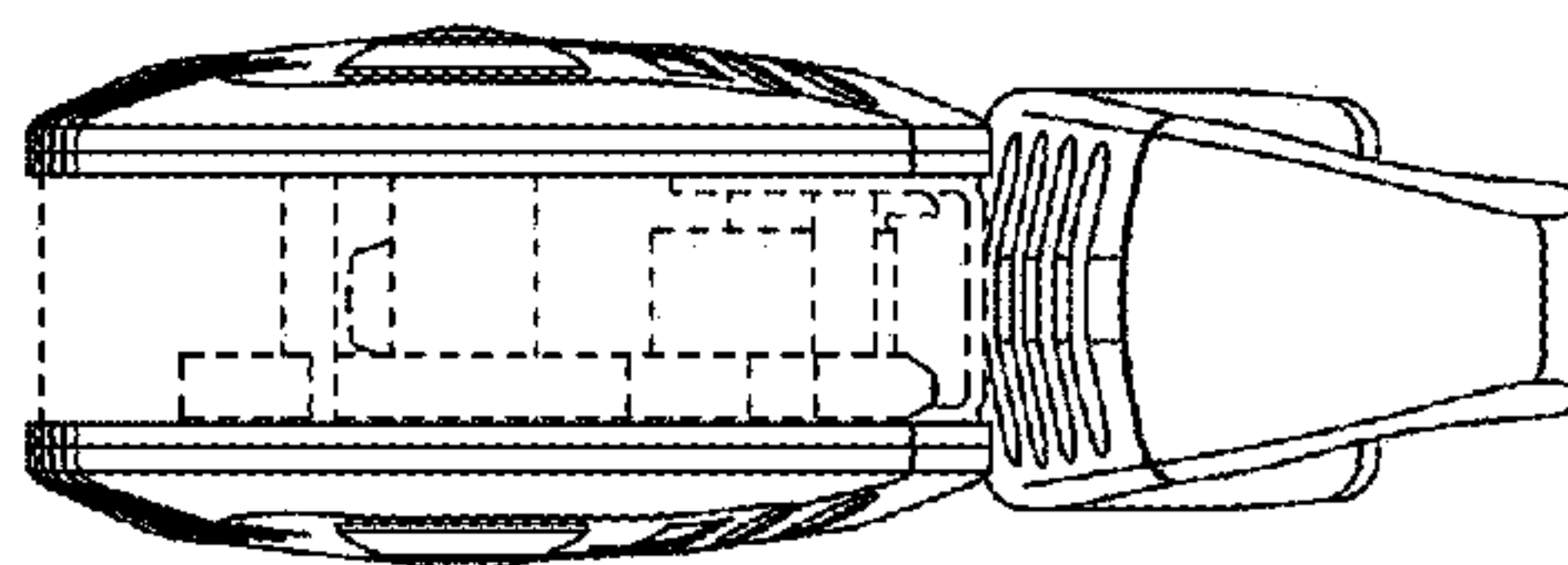


FIG. 11

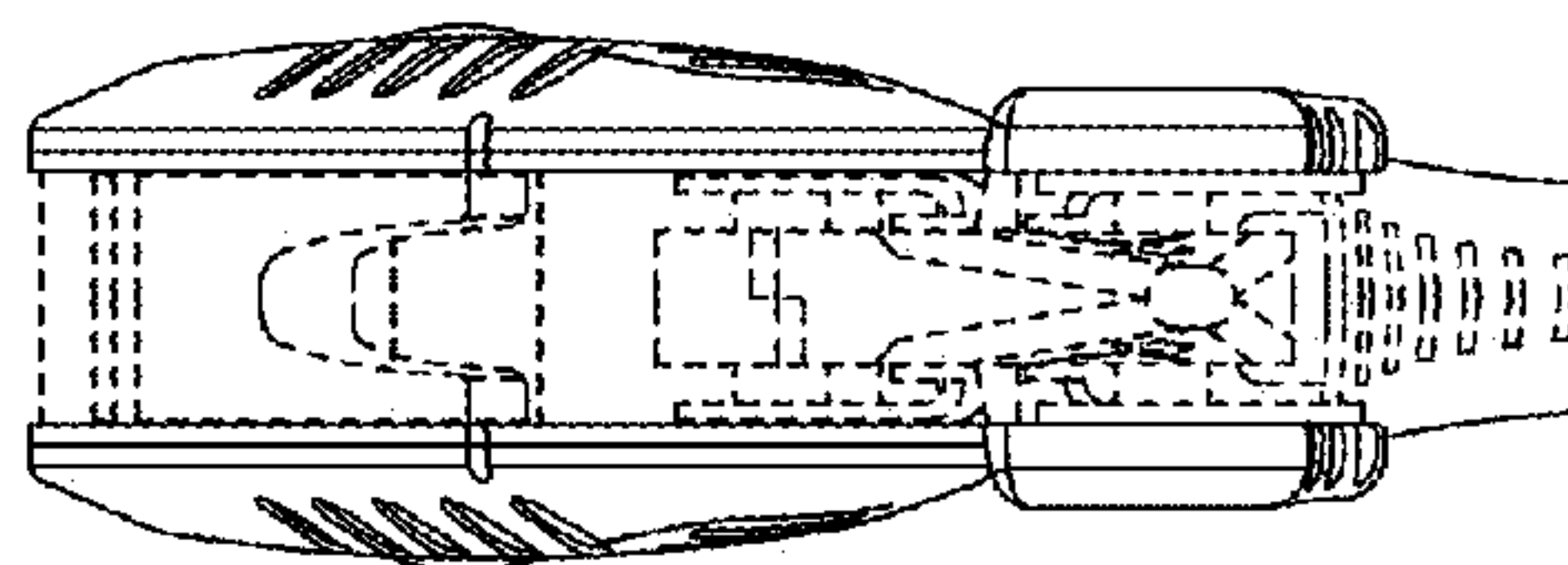


FIG. 12