



US00D724925S

(12) **United States Design Patent**
McDonough et al.

(10) **Patent No.:** **US D724,925 S**
(45) **Date of Patent:** **** Mar. 24, 2015**

(54) **MULTI-PURPOSE TOOL**

(75) Inventors: **James M. McDonough**, Bradford, PA (US); **Howard Tripp**, Plymouth, MN (US); **Neal Barnes**, Minneapolis, MN (US); **Brian J. Barber**, Cyclone, PA (US)

(73) Assignee: **Zippo Manufacturing Company**, Bradford, PA (US)

(**) Term: **14 Years**

(21) Appl. No.: **29/422,433**

(22) Filed: **May 21, 2012**

(51) **LOC (10) Cl.** **08-03**

(52) **U.S. Cl.**
USPC **D8/96; D8/105**

(58) **Field of Classification Search**
USPC **D8/95-97, 105; 7/143-149**
See application file for complete search history.

(56) **References Cited**

U.S. PATENT DOCUMENTS

1,197,430	A *	9/1916	Barnes et al.	30/241
D151,725	S *	11/1948	Whiteman et al.	D8/96
2,576,869	A *	11/1951	Woltemath	30/166.3
2,642,906	A *	6/1953	Faubion	30/513
3,038,177	A *	6/1962	Machtle	7/144
3,392,606	A *	7/1968	Wilson	76/36
5,067,190	A *	11/1991	Gagnon	7/149
D356,020	S *	3/1995	Costa	D8/105
5,590,473	A *	1/1997	Wang	30/512
D455,628	S *	4/2002	Douglas	D8/96
6,606,795	B2 *	8/2003	Erisoty et al.	30/512
D479,113	S *	9/2003	Douglas	D8/96
6,820,340	B1 *	11/2004	Martin et al.	30/506
D519,350	S *	4/2006	Critelli et al.	D8/96
D562,101	S *	2/2008	Martone et al.	D8/89
D567,620	S *	4/2008	Martone et al.	D8/81
D595,555	S *	7/2009	Vanderbeek	D8/89

7,617,608	B2 *	11/2009	Zakarian	30/514
8,024,994	B2 *	9/2011	St. John et al.	81/22
8,117,702	B2 *	2/2012	Woolley et al.	7/146
2013/0283540	A1 *	10/2013	McDonough et al.	7/144

OTHER PUBLICATIONS

Zippo 4-in-1 Woodsman—The Handy Camping Tool. Snagged Mar. 13, 2014 at <http://coolpile.com/gear-magazine/zippo-4-1-woodsman-handy-camping-tool/>.*

* cited by examiner

Primary Examiner — Susan E Krakower

Assistant Examiner — Roselynn Cody

(74) *Attorney, Agent, or Firm* — Squire Patton Boggs (US) LLP

(57) **CLAIM**

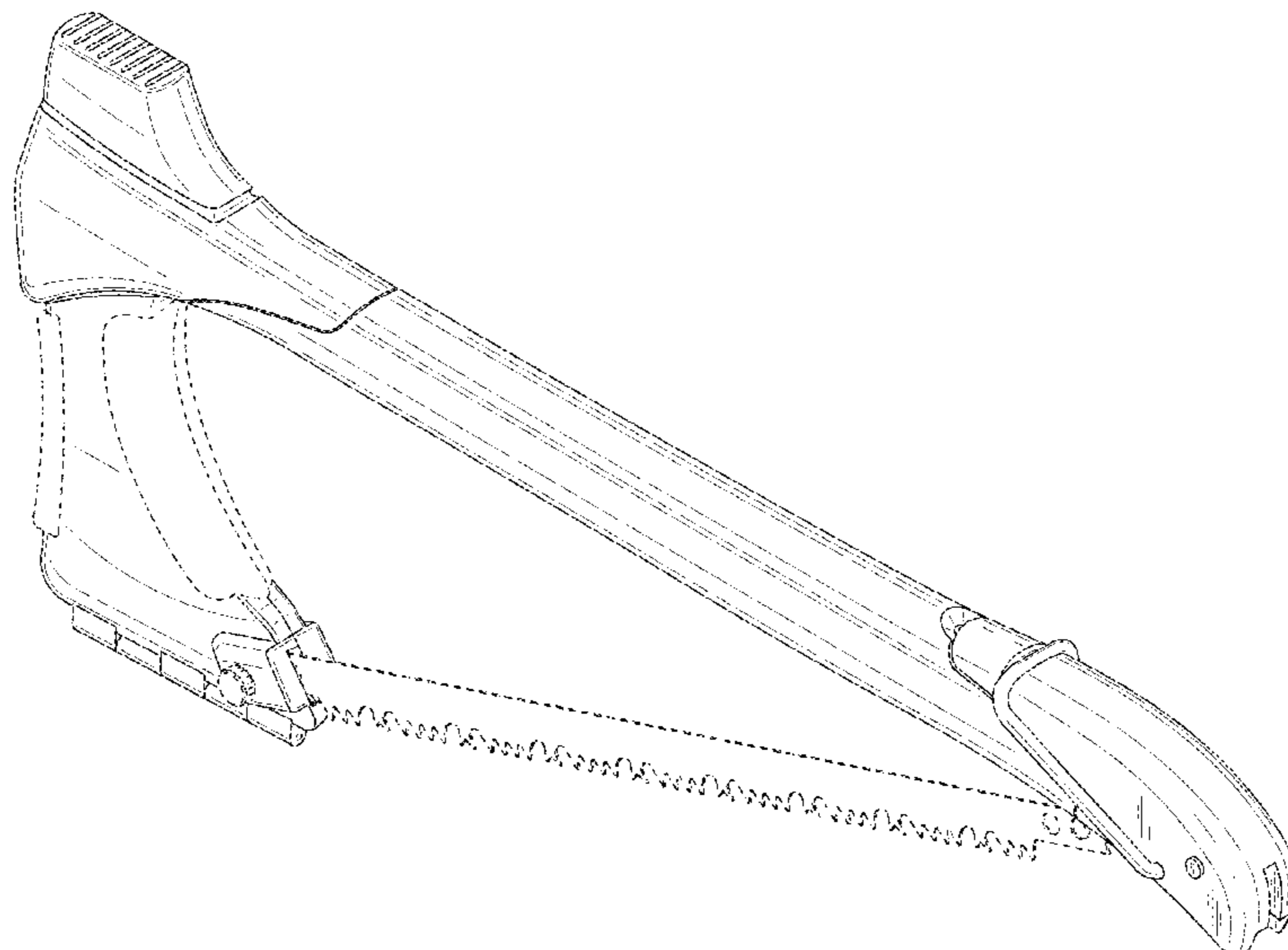
The ornamental design for a multi-purpose tool, as shown and described.

DESCRIPTION

FIG. 1 is a perspective view of a multi-purpose tool showing our new design according to one embodiment;
FIG. 2 is a side view thereof;
FIG. 3 is an alternate side view thereof;
FIG. 4 is front view thereof;
FIG. 5 is a rear view thereof;
FIG. 6 is a top view thereof;
FIG. 7 is a bottom view thereof;
FIG. 8 is an environmental view of the multi-purpose tool in use; and,
FIG. 9 is another environmental view of the multi-purpose tool in use.

The broken lines in FIGS. 8 and 9 that are not part of the multi-purpose tool are directed to environment and form no part of the claim. All other broken lines in the drawings illustrate elements and features of the tool that also form no part of the claim.

1 Claim, 7 Drawing Sheets



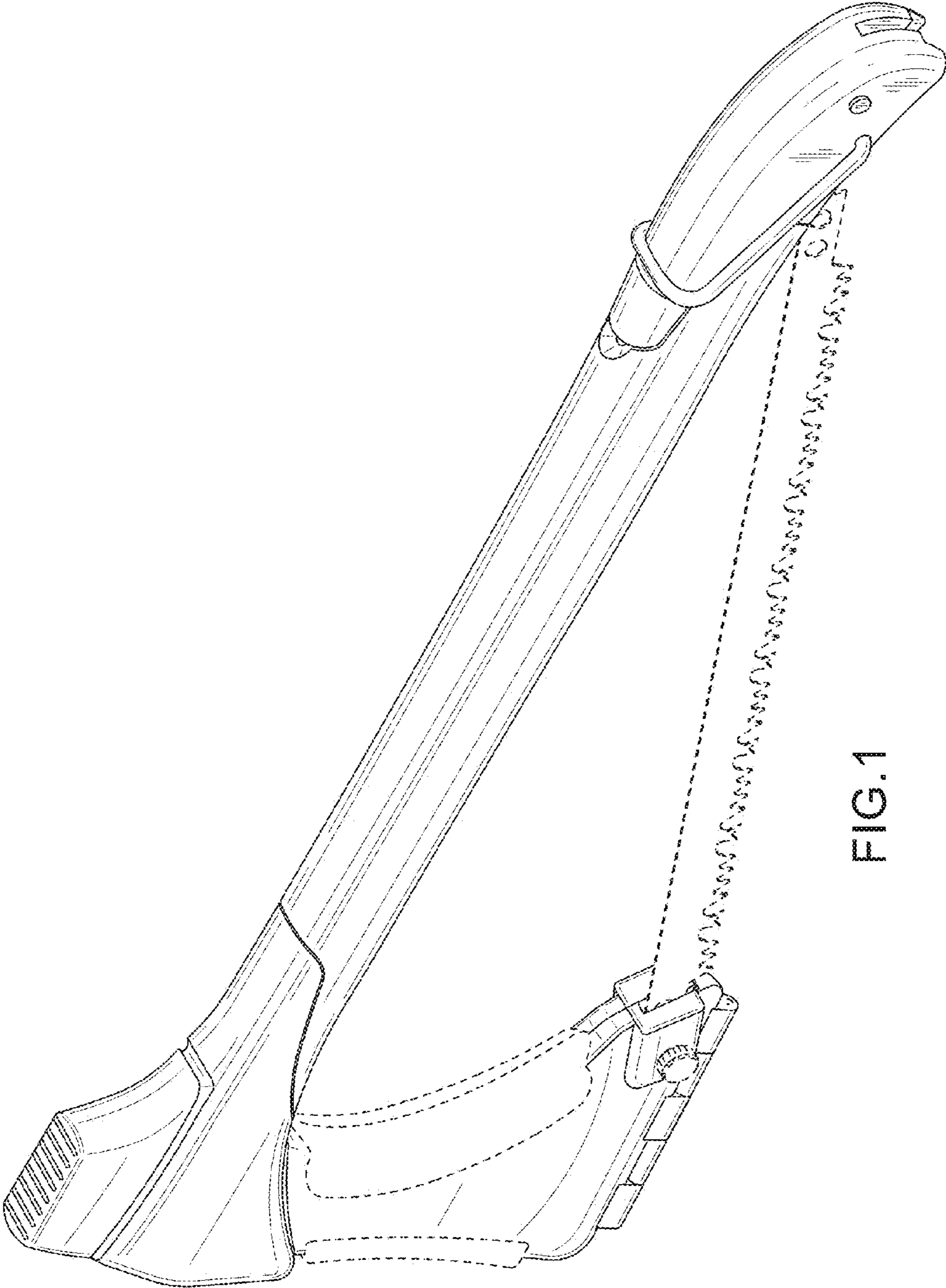


FIG.1

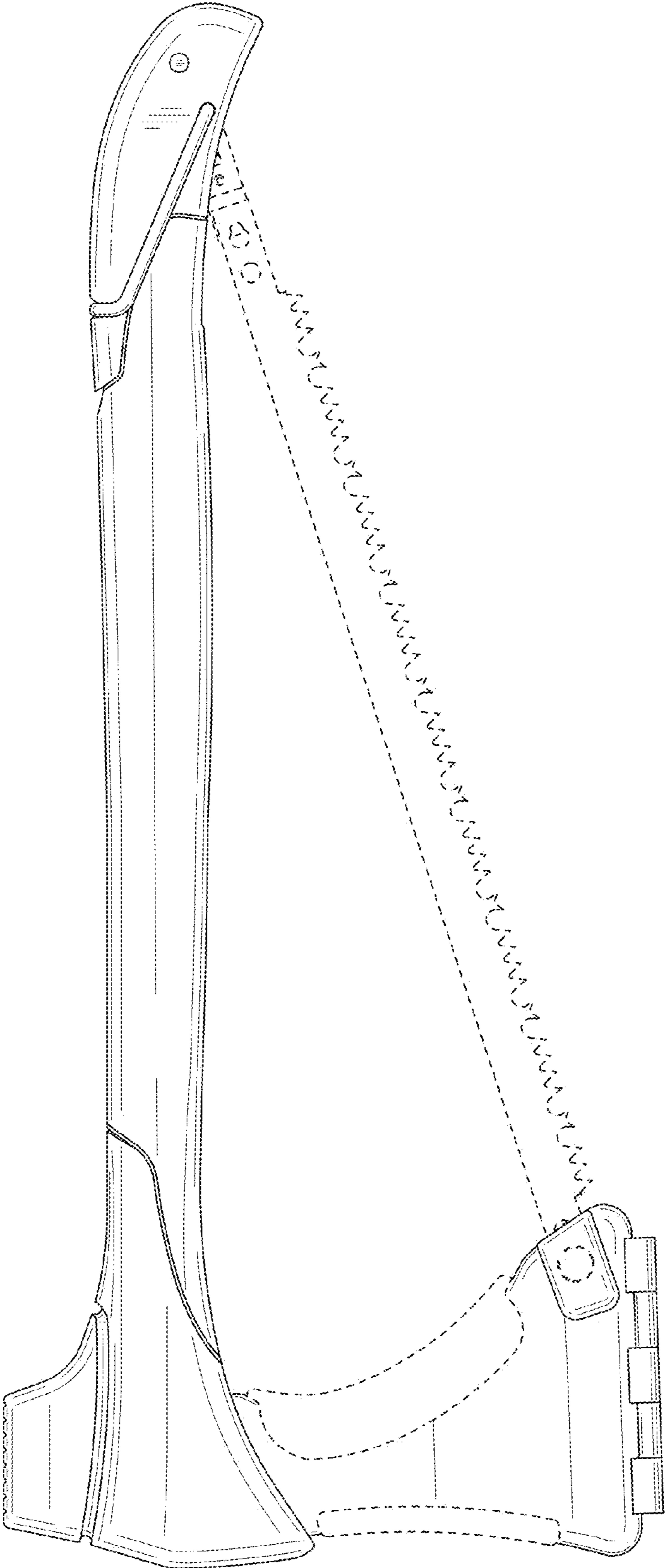


FIG.2

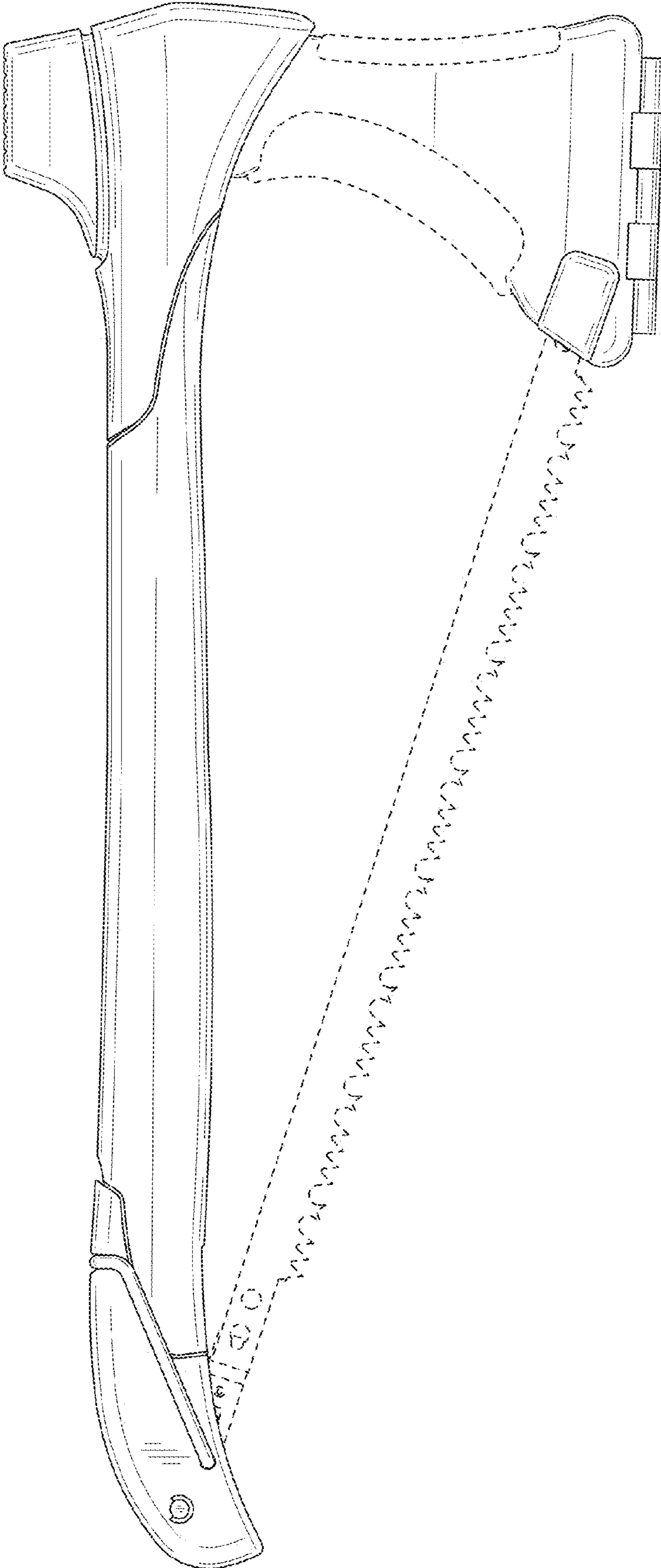


FIG.3

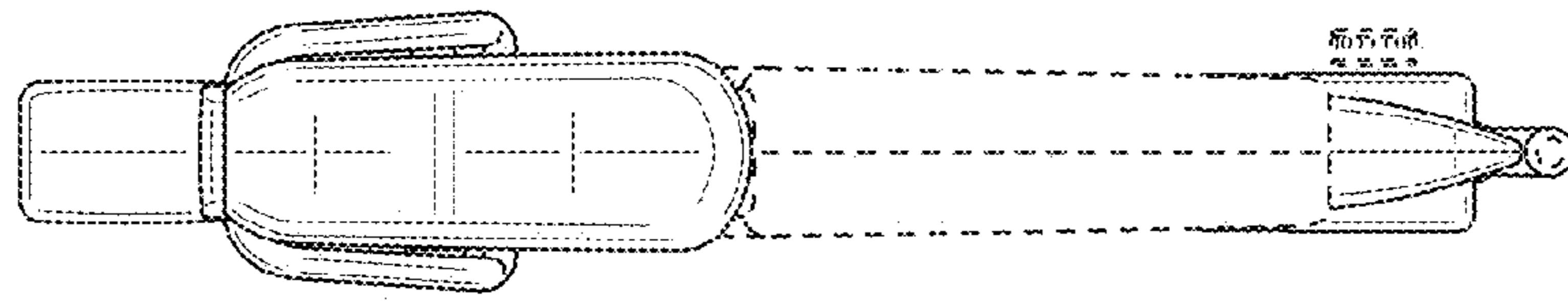


FIG. 5

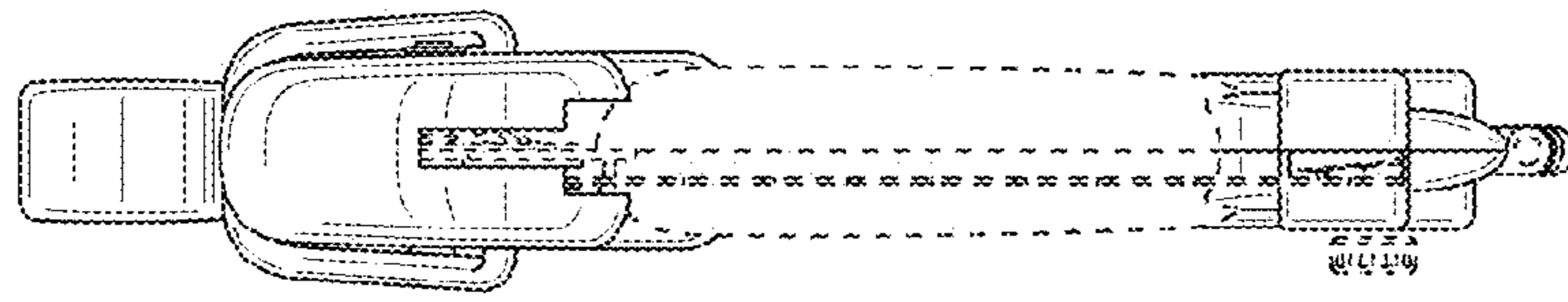


FIG. 4

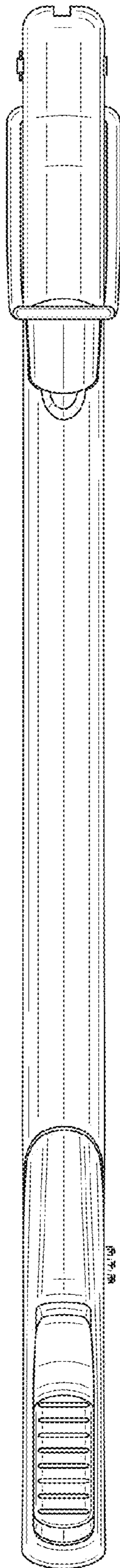


FIG. 6

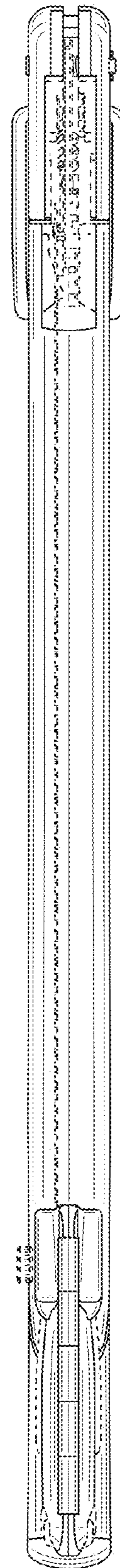


FIG. 7

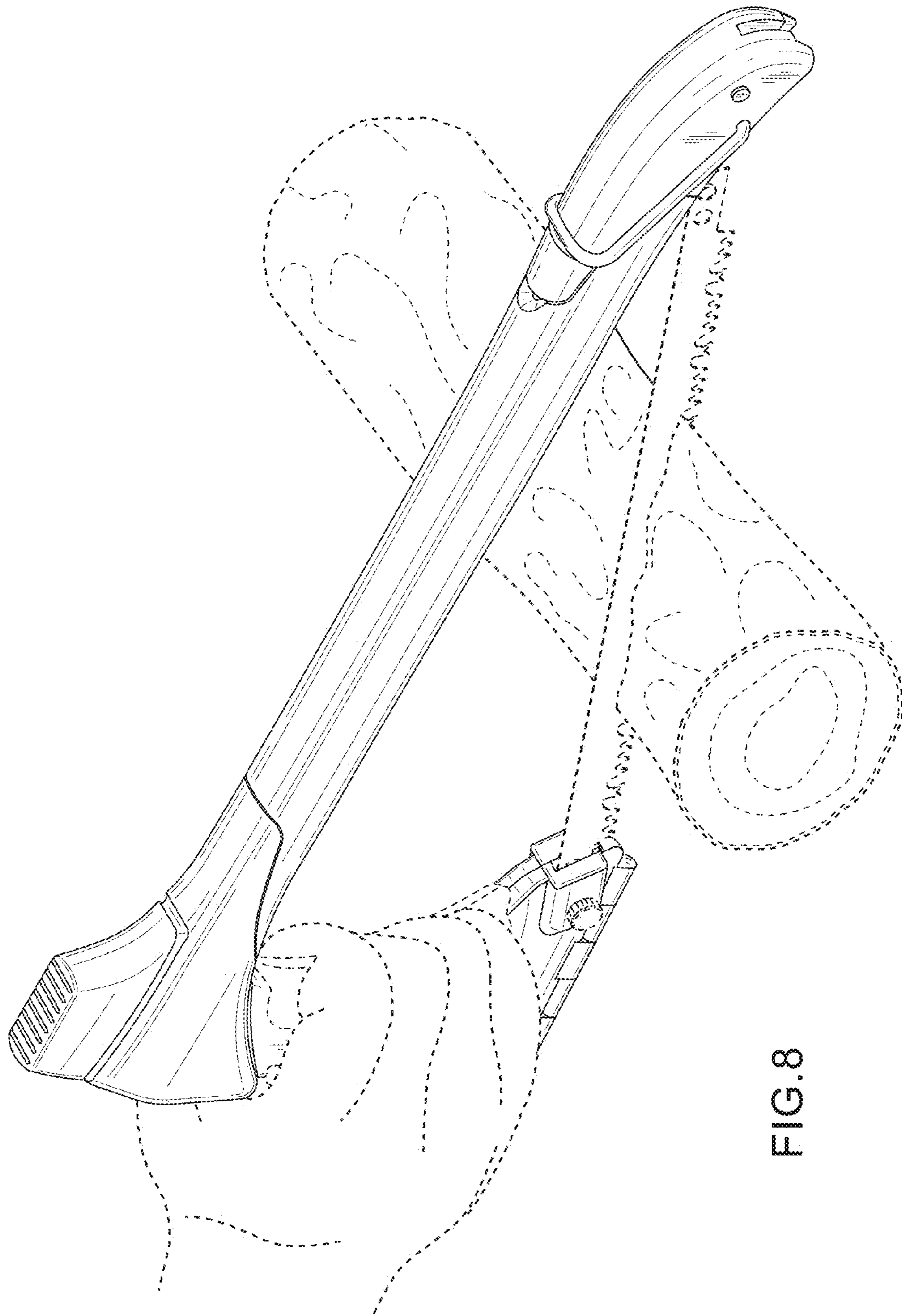


FIG. 8

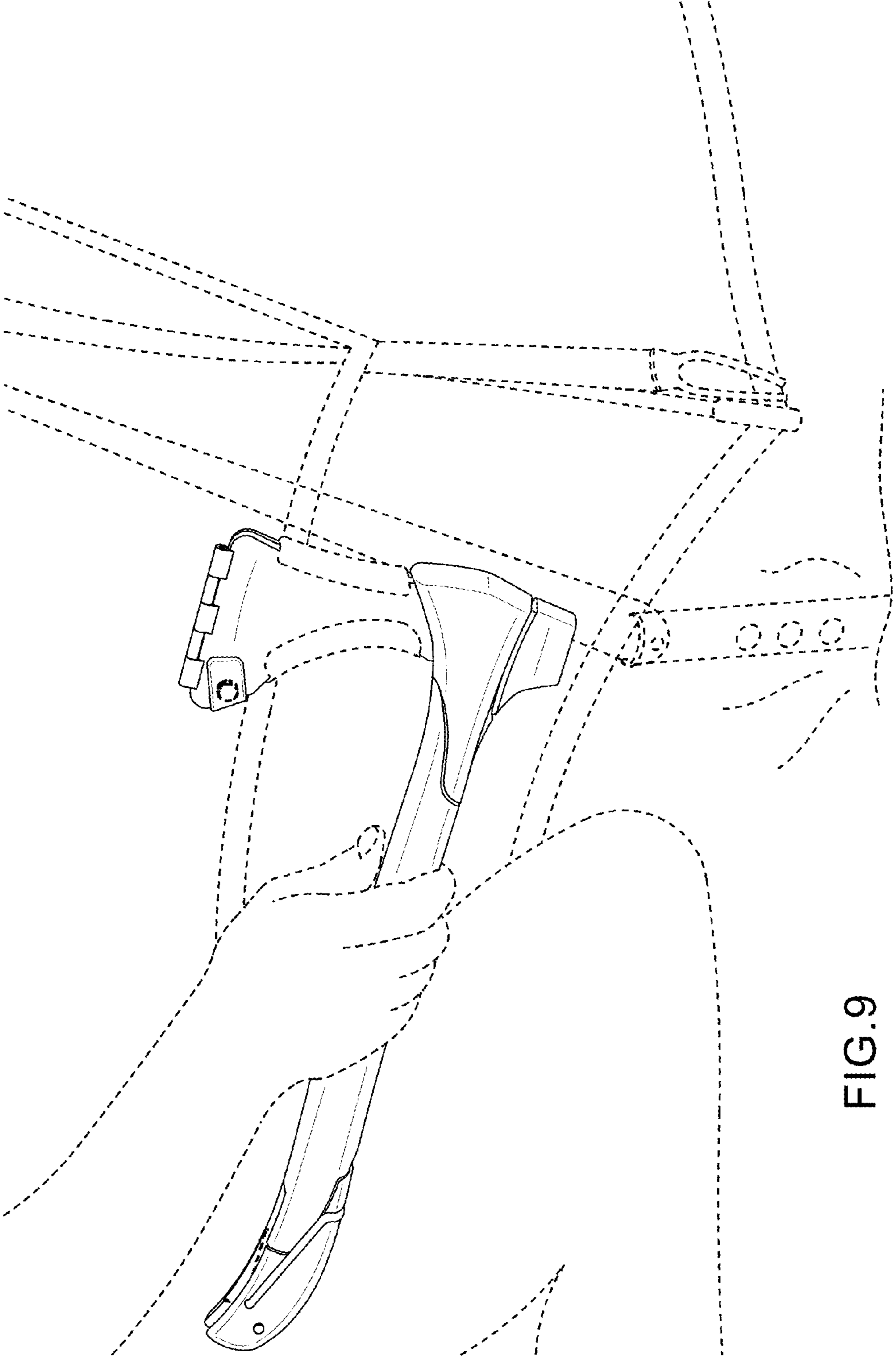


FIG.9