



US00D724923S

(12) **United States Design Patent**  
**McRoberts et al.**

(10) **Patent No.:** **US D724,923 S**  
(45) **Date of Patent:** **\*\* Mar. 24, 2015**

- (54) **TOOL ACCESSORY HUB**
- (71) Applicants: **Jason Kyle McRoberts**, Hamilton, OH (US); **Katie Nicole Lay**, Cincinnati, OH (US); **John Dale Wilson**, Liberty Township, OH (US)
- (72) Inventors: **Jason Kyle McRoberts**, Hamilton, OH (US); **Katie Nicole Lay**, Cincinnati, OH (US); **John Dale Wilson**, Liberty Township, OH (US)

1,172,901 A	2/1916	Peck
1,483,199 A	2/1924	Schinkez
1,571,550 A	2/1926	Kimman
1,781,133 A	11/1930	Shaff
2,440,457 A	4/1948	Beckwith
2,758,569 A	8/1956	Peterson
3,832,772 A	9/1974	Sumida
4,279,171 A	7/1981	Fylling
D343,247 S	1/1994	Walén

(Continued)

**FOREIGN PATENT DOCUMENTS**

- (73) Assignee: **Campbell Hausfeld / Scott Fetzer Company**, Harrison, OH (US)

EP	2143531 A1	1/2010
EP	1819490 B1	2/2010

(Continued)

(\*\*) Term: **14 Years**

**OTHER PUBLICATIONS**

- (21) Appl. No.: **29/453,407**
- (22) Filed: **Apr. 29, 2013**

Advertisement for Rockwell Universal Fit System for Sonicrafter tool; Popular Mechanics, vol. 189, No. 10; Oct. 2012; p. 93, 1 page.

(Continued)

**Related U.S. Application Data**

- (62) Division of application No. 29/420,839, filed on May 14, 2012, now Pat. No. Des. 682,652.

*Primary Examiner* — Phillip S Hyder

(74) *Attorney, Agent, or Firm* — Ulmer & Berne LLP

(51) **LOC (10) Cl.** ..... **08-05**

(52) **U.S. Cl.**  
USPC ..... **D8/70; D8/20**

(58) **Field of Classification Search**  
USPC ..... D8/20, 29, 70, 86; D10/64; D15/138;  
D24/146; 81/121.1, 438; 125/15;  
403/24, 44, 356, 359.1; 474/156, 162,  
474/199; 451/342, 344, 351, 353, 359, 415,  
451/442, 559; 606/171, 176, 178; 279/142,  
279/145; 83/522.11, 697, 699.51; 30/166.3,  
30/169, 347

See application file for complete search history.

(57)

**CLAIM**

The ornamental design for a tool accessory hub, as shown and described.

**DESCRIPTION**

FIG. 1 is a perspective view of the tool accessory hub; FIG. 2 is a top plan view of the tool accessory hub of FIG. 1, the bottom plan view being identical thereto; FIG. 3 is an end view of the tool accessory hub of FIG. 1; and, FIG. 4 is a side elevational view of the tool accessory hub of FIG. 1, the opposite side elevational view being identical thereto.

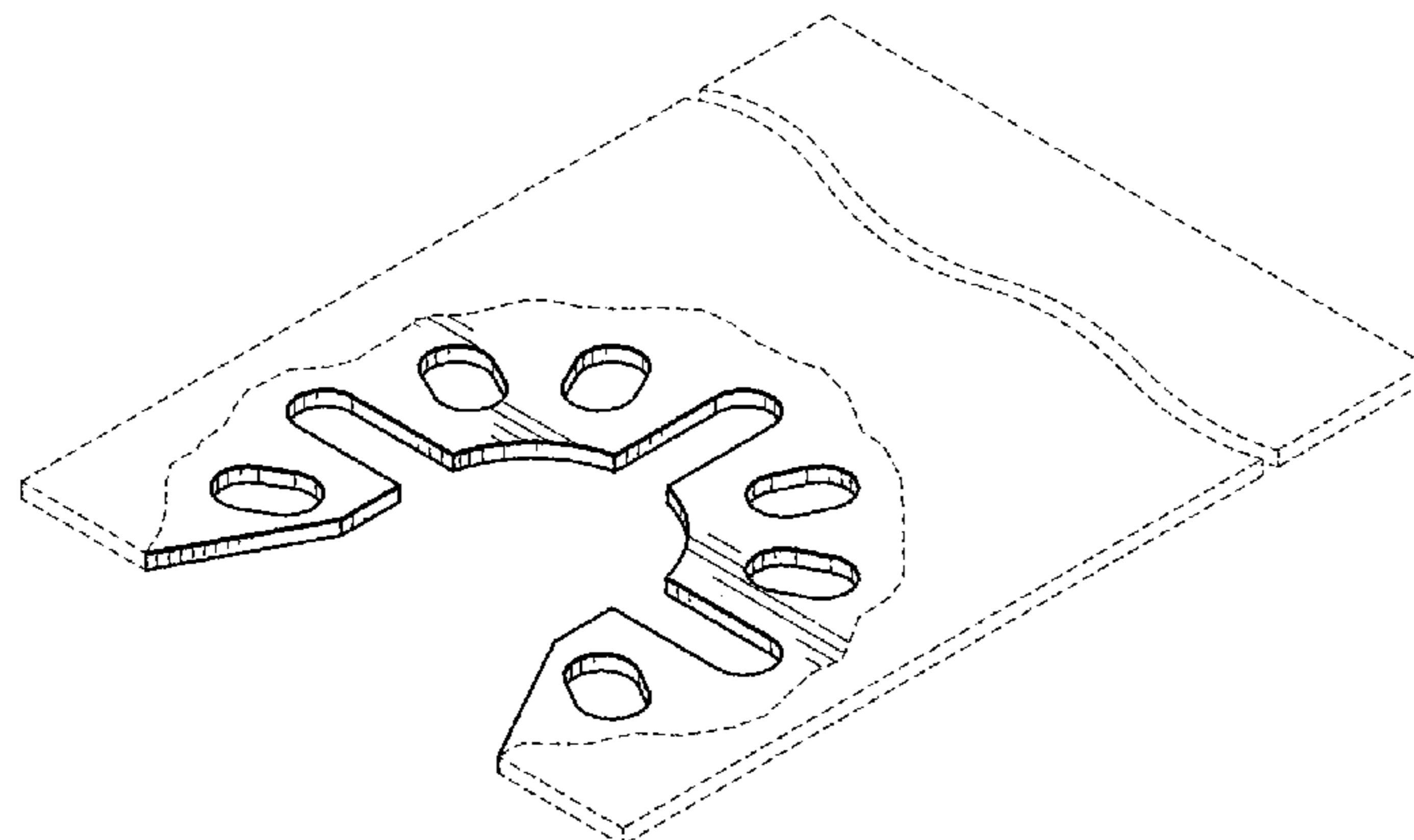
The broken-line disclosure of elements is understood to represent portions of the article in which the design is embodied, but which form no part of the claimed design.

(56) **References Cited**

**U.S. PATENT DOCUMENTS**

667,350 A	2/1901	Ulrich et al.
855,515 A	6/1907	Kimman

**1 Claim, 1 Drawing Sheet**



(56)

References Cited

U.S. PATENT DOCUMENTS

5,322,131 A 6/1994 Pressley et al.  
 5,423,845 A 6/1995 McDaniel  
 D360,946 S 8/1995 Goris  
 D362,065 S 9/1995 Goris  
 5,467,684 A 11/1995 Sher  
 5,489,285 A 2/1996 Goris  
 5,496,316 A 3/1996 Goris  
 D394,315 S 5/1998 Fisher  
 5,769,172 A 6/1998 Sher  
 D404,485 S 1/1999 Hutchins et al.  
 D405,177 S 2/1999 Hutchins et al.  
 6,068,068 A 5/2000 Turoff  
 D455,490 S 4/2002 Pascaloff  
 D459,805 S 7/2002 Pascaloff  
 D489,823 S 5/2004 Fisher et al.  
 6,796,888 B2 9/2004 Jasch  
 6,896,679 B2 5/2005 Danger et al.  
 7,013,987 B2 3/2006 Nock et al.  
 D525,707 S 7/2006 Kullmer et al.  
 7,189,239 B2 3/2007 Fisher et al.  
 7,194,938 B2 3/2007 Hollar  
 7,344,435 B2 3/2008 Pollak et al.  
 7,527,628 B2 5/2009 Fletcher et al.  
 RE40,807 E 6/2009 Kovacs  
 7,677,325 B2 3/2010 Shibuya et al.  
 7,695,352 B2 4/2010 Schumacher  
 D619,152 S 7/2010 Evatt et al.  
 D633,769 S 3/2011 Evatt et al.  
 7,901,424 B2 3/2011 Fletcher et al.  
 7,997,586 B2 8/2011 Ziegler et al.  
 7,998,158 B2 8/2011 Fletcher et al.  
 D646,542 S 10/2011 Wackwitz  
 D651,062 S 12/2011 Wackwitz  
 D651,499 S 1/2012 Tong  
 D651,874 S 1/2012 Davidian et al.  
 D651,875 S 1/2012 Davidian et al.  
 D651,876 S 1/2012 Davidian et al.  
 D651,877 S 1/2012 Davidian et al.  
 D651,878 S 1/2012 Davidian et al.  
 D652,274 S 1/2012 Davidian et al.  
 D653,523 S 2/2012 Wackwitz et al.  
 8,113,520 B2 2/2012 Zaiser et al.  
 D669,754 S 10/2012 Wackwitz  
 2002/0074539 A1 6/2002 Yamamoto  
 2003/0014067 A1 1/2003 Kullmer et al.  
 2004/0138668 A1 7/2004 Fisher et al.  
 2010/0056029 A1 3/2010 Grunikiewicz  
 2011/0000690 A1 1/2011 Kildevaeld

2011/0011605 A1 1/2011 Kildevaeld  
 2011/0227300 A1 9/2011 Zhang et al.  
 2011/0260414 A1 10/2011 Ota et al.  
 2011/0266758 A1 11/2011 Sergyeyenko et al.  
 2011/0277611 A1 11/2011 Chen et al.  
 2011/0309589 A1 12/2011 Maras  
 2011/0316241 A1 12/2011 Zhang et al.  
 2011/0316242 A1 12/2011 Zhang et al.  
 2012/0056388 A1 3/2012 Zaiser et al.  
 2012/0066919 A1 3/2012 Holba et al.

FOREIGN PATENT DOCUMENTS

GB 2481504 A 12/2011  
 WO 2011/000322 A1 1/2011  
 WO 2012/025330 A2 3/2012

OTHER PUBLICATIONS

Operating/Safety Instructions for the Bosch MX25E Multi-X Oscillating Power Tool; Robert Bosch Tool Corporation, Mt. Prospect, Illinois; dated Oct. 2010; 52 pages.  
 Operating/Safety Instructions for the Dremel Model 6300 Multi-Max Oscillating Power Tool; Robert Bosch Tool Corporation; Mt. Prospect, Illinois; dated Aug. 6, 2008; 52 pages.  
 Operating/Safety Instructions for the Dremel Model MM40 Multi-Max Oscillating Power Tool; Robert Bosch Tool Corporation; Mt. Prospect, Illinois; dated Feb. 27, 2012; 52 pages.  
 Instruction Manual for the Fein MultiMaster FMM250Q; C & E Fein GmbH, Germany; dated Jun. 29, 2009; 46 pages.  
 Operator's Manual for the Milwaukee M12 Cordless Multi-Tool; Milwaukee Electric Tool Corporation, Brookfield, Wisconsin; dated Sep. 2010; 11 pages.  
 Instruction Manual for the Porter Cable PC250MT 2.5 Amp Oscillating Multi-Tool; Porter Cable, North Jackson, Tennessee; dated Jan. 14, 2011; 36 pages.  
 Instructions for the Ridgid JobMax Multi-Tool Head Model R8223404; One World Technologies, Inc., Pickens, South Carolina; dated Jan. 5, 2012; 2 pages.  
 "Rockwell RC5100K Shop Series Sonic Tool Oscillating Tool", <http://www.amazon.com/Rockwell-RC5100K-Series-Sonic-Oscillating/dp/B004C3BUAA>; retrieved Jun. 29, 2012; includes review of product dated as early as May 19, 2011; 6 pages.  
 "Holbren Precision Cutting Tools", <http://www.holbren.com/home.php?cat=941>; Holbren; retrieved Jun. 29, 2012; copyright 2002-2012; 2 pages.  
 "Imperial Blades Authorized Dealer", <http://imperialblades.net/index.php/catalogsearch/result/index/?cat=1443&q=universal&gclid=CLH4h7SP9LACFQgEnQodJg6QVA>; Beaver Tools, 2012; retrieved Jun. 29, 2012; 3 pages.

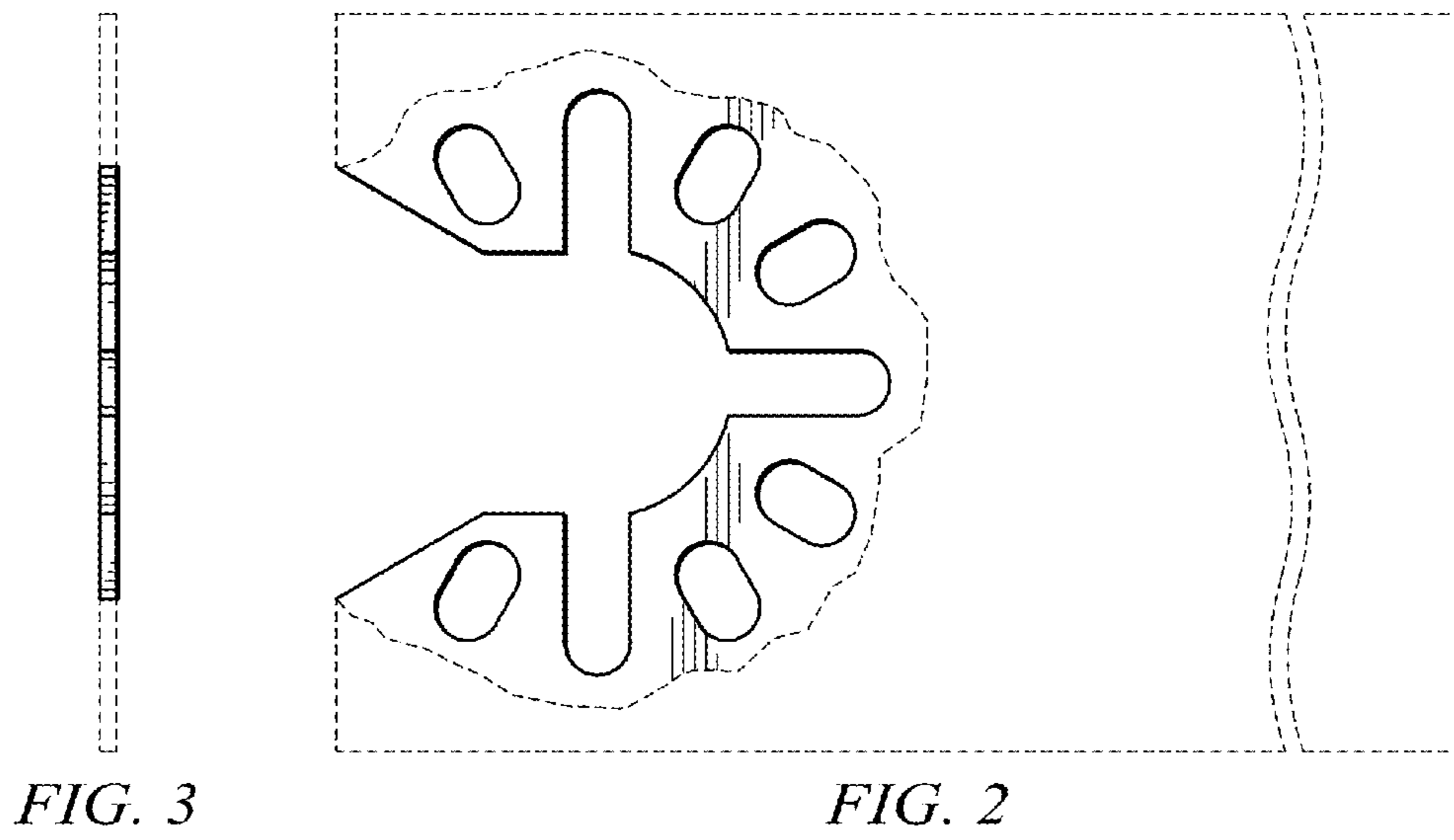
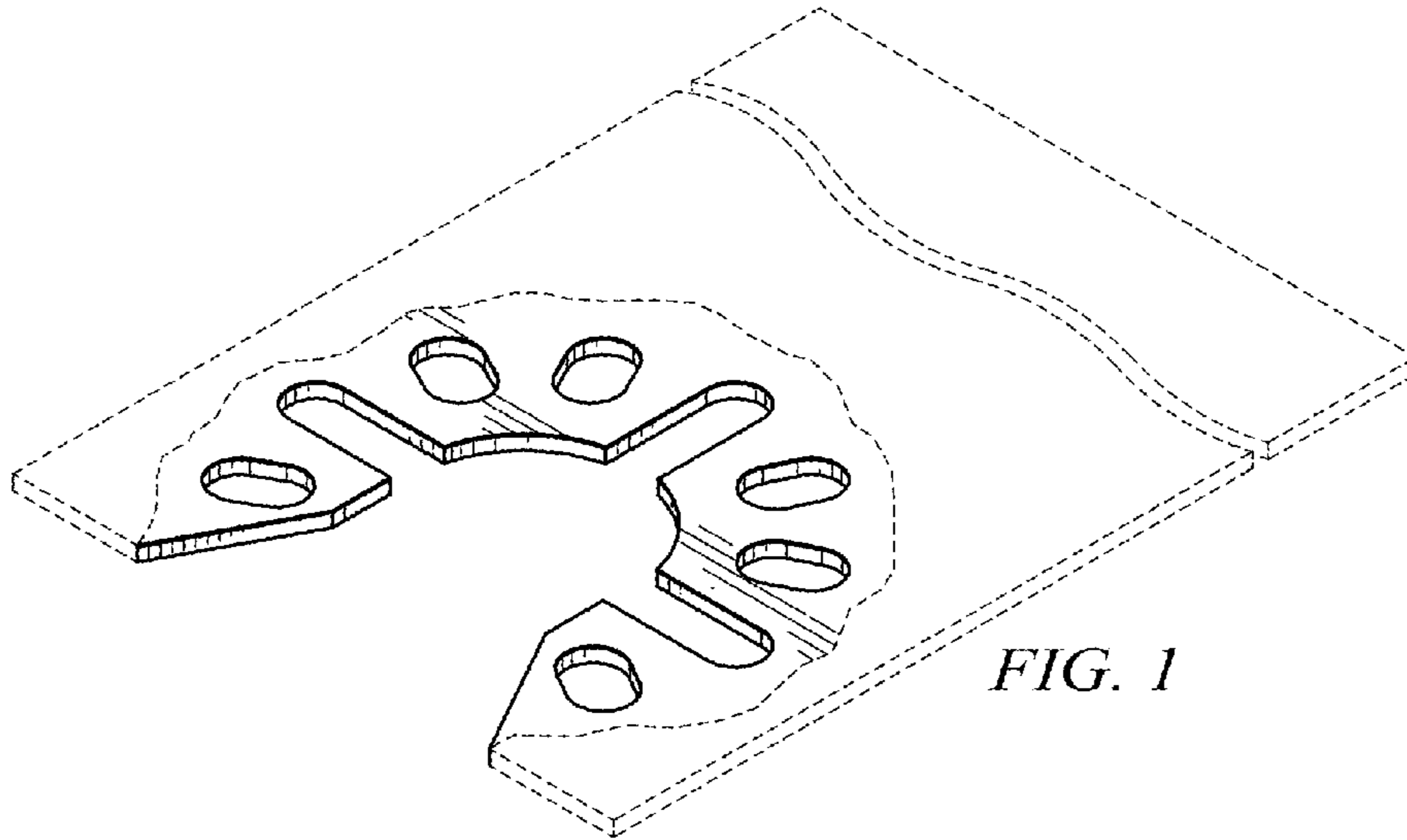


FIG. 3



FIG. 4

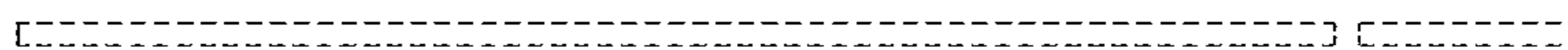


FIG. 4