



US00D724921S

(12) **United States Design Patent**
Fisher

(10) **Patent No.:** **US D724,921 S**
(45) **Date of Patent:** **** Mar. 24, 2015**

(54) **GRIP DETAIL FOR A POWER TOOL**

(56)

References Cited

(71) Applicant: **James John Fisher**, Auckland (NZ)
(72) Inventor: **James John Fisher**, Auckland (NZ)
(73) Assignee: **Brand Developers Ltd.**, Auckland (NZ)
(**) Term: **14 Years**

U.S. PATENT DOCUMENTS

D570,172 S *	6/2008	Heun	D8/61
D619,436 S *	7/2010	Baker et al.	D8/61
D630,074 S *	1/2011	Wasielewski et al.	D8/61
D661,563 S *	6/2012	Wilke	D8/61
D663,181 S *	7/2012	Zhou et al.	D8/61
D663,597 S *	7/2012	Wasielewski et al.	D8/61
D689,754 S *	9/2013	Hayakawa et al.	D8/61
D710,169 S *	8/2014	Guo et al.	D8/61
D717,624 S *	11/2014	Wenchel	D8/61

(21) Appl. No.: **29/494,172**

* cited by examiner

(22) Filed: **Jun. 18, 2014**

Primary Examiner — Austin Murphy

(30) **Foreign Application Priority Data**

(74) *Attorney, Agent, or Firm* — Jonathan A. Kidney;
Techlaw, LLP

Dec. 19, 2013 (AU) 201316686

(51) **LOC (10) Cl.** **08-01**

(57) **CLAIM**

The ornamental design for a grip detail for a power tool, as shown and described.

(52) **U.S. Cl.**

DESCRIPTION

USPC **D8/61; D8/67**

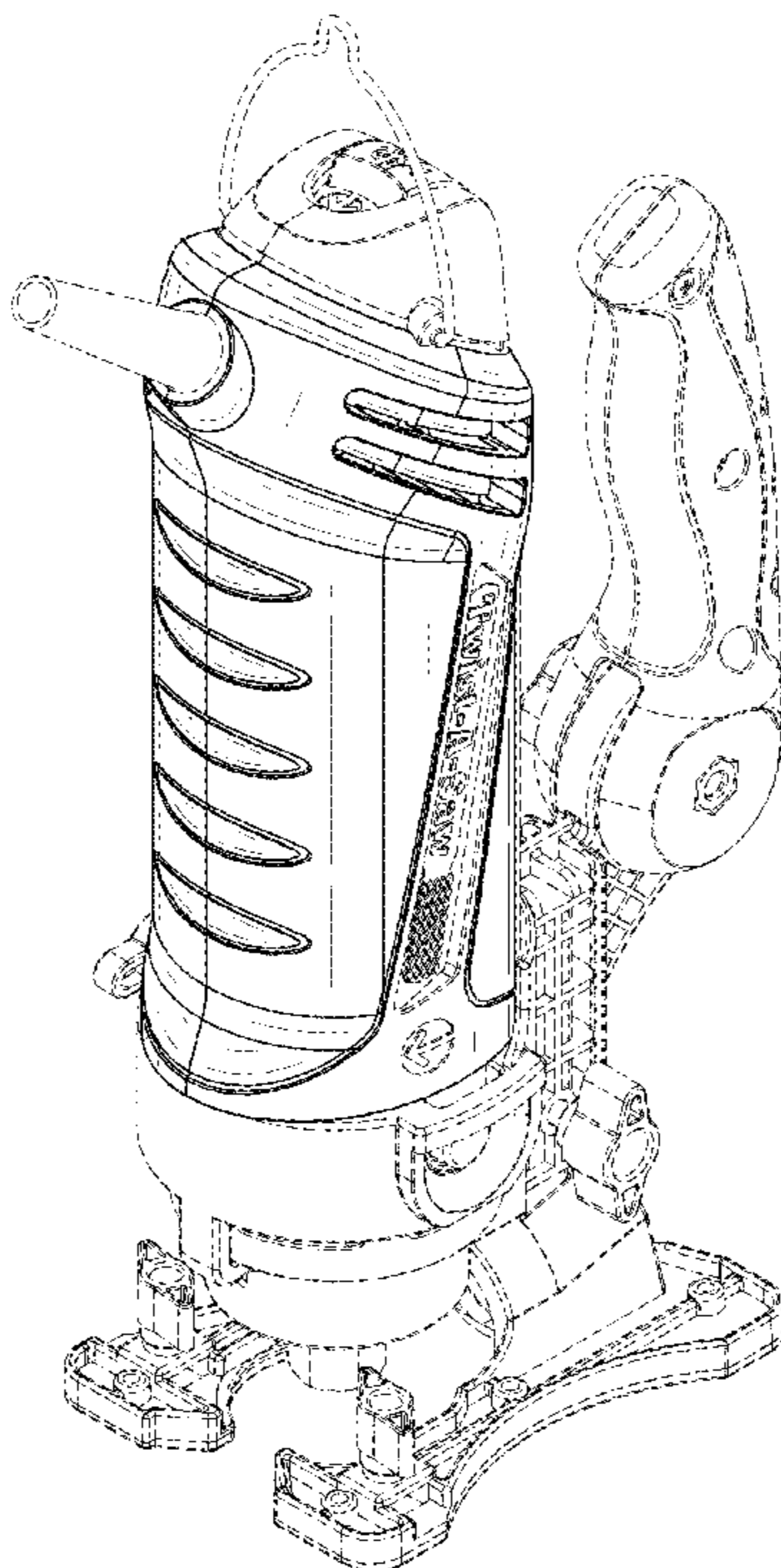
(58) **Field of Classification Search**

CPC B27C 5/10; B29C 2059/02; B27D 5/006;
D23B 45/00; E04F 2019/00; B27G 13/00
USPC D8/61, 67, 70, 107; 409/182, 180, 134,
409/132, 131; 144/48.6, 252.1, 154.5,
144/136.95

FIG. 1 is a perspective top front view of an embodiment of a grip detail for a power tool with an attached foot plate and tool handle, showing my new design;
FIG. 2 is a front view of an embodiment of the grip detail for a power tool;
FIG. 3 is a rear view thereof;
FIG. 4 is a left side view thereof; and,
FIG. 5 is a right side view thereof.
The broken lines in the drawings depict environmental subject matter only and form no part of the claimed design.

See application file for complete search history.

1 Claim, 5 Drawing Sheets



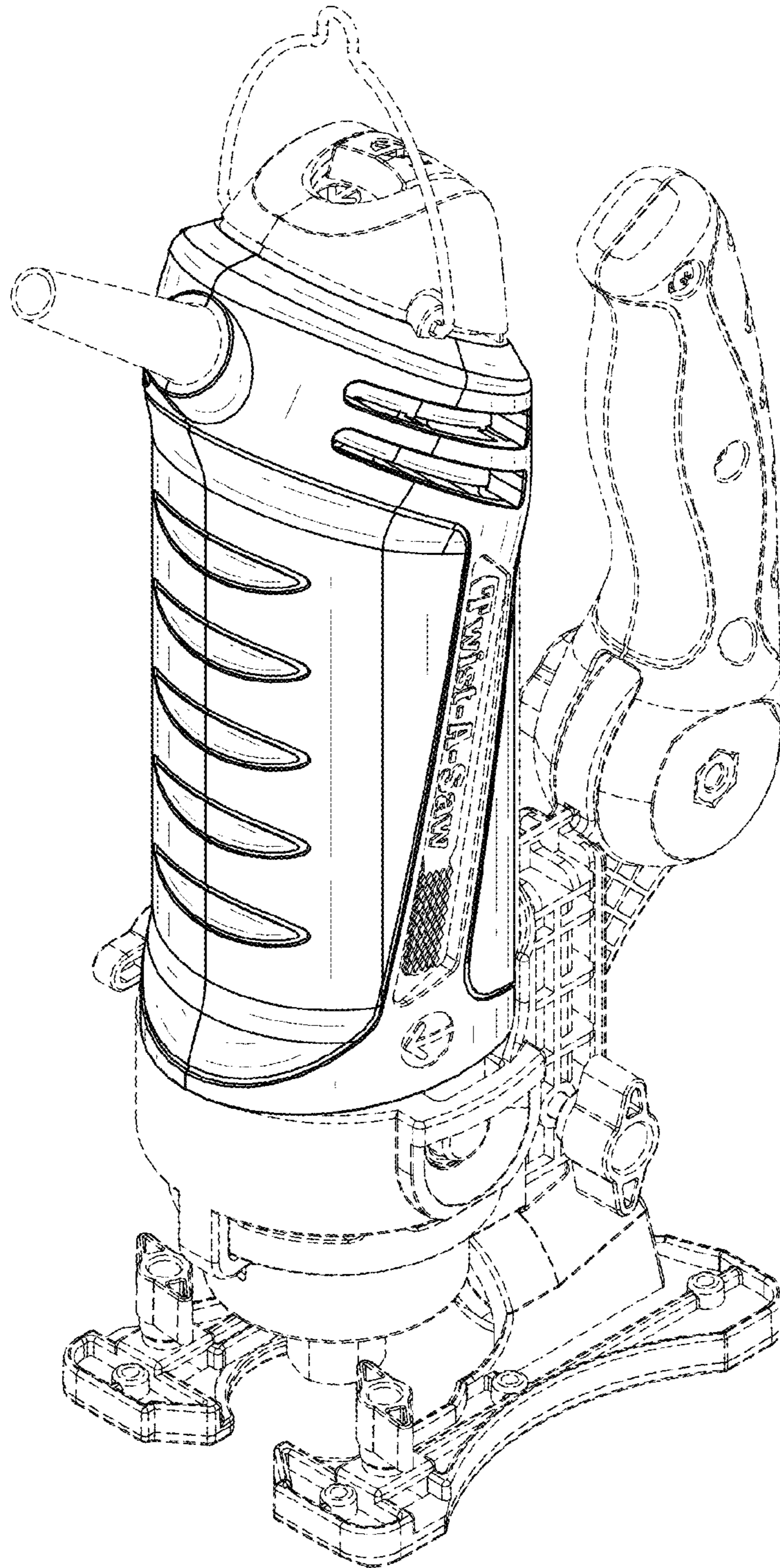


FIG.1

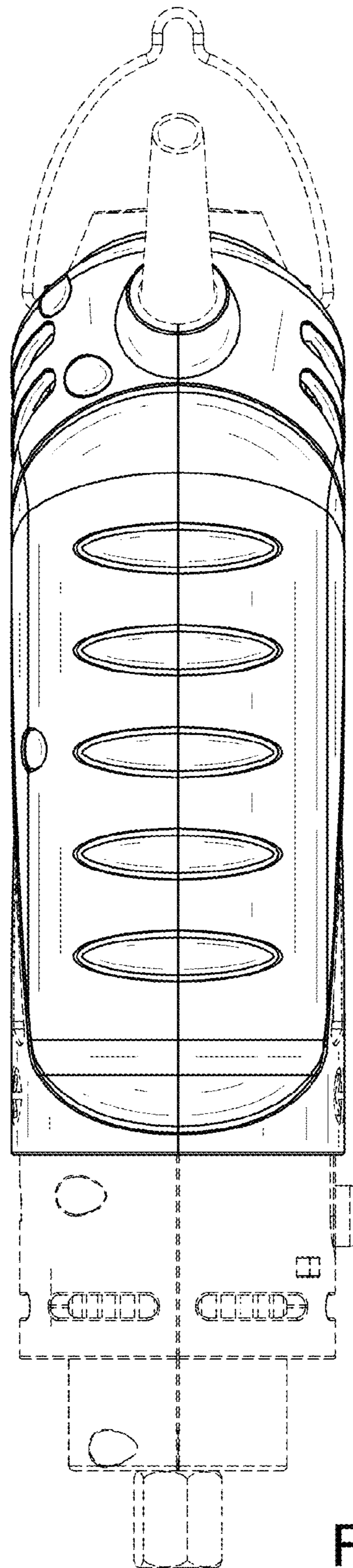


FIG.2

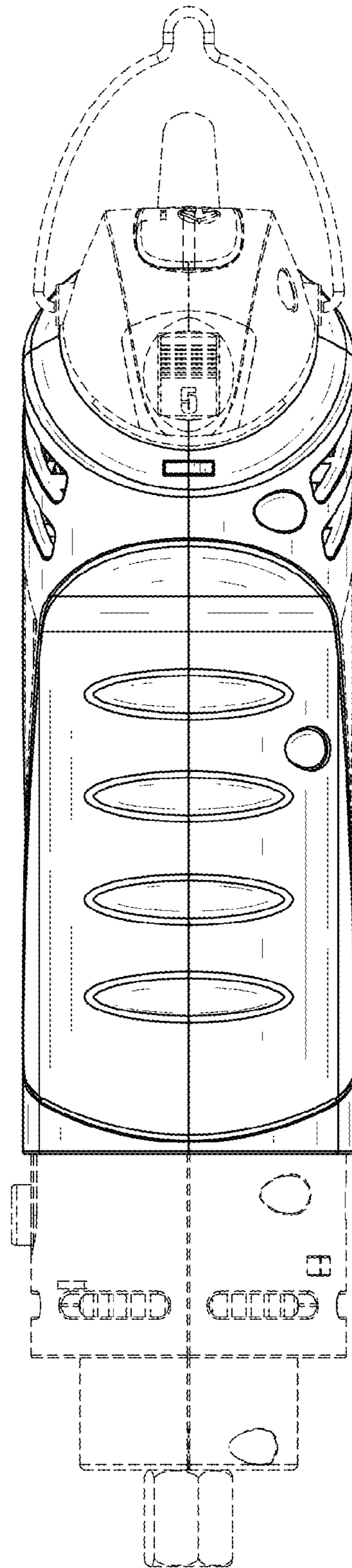


FIG.3

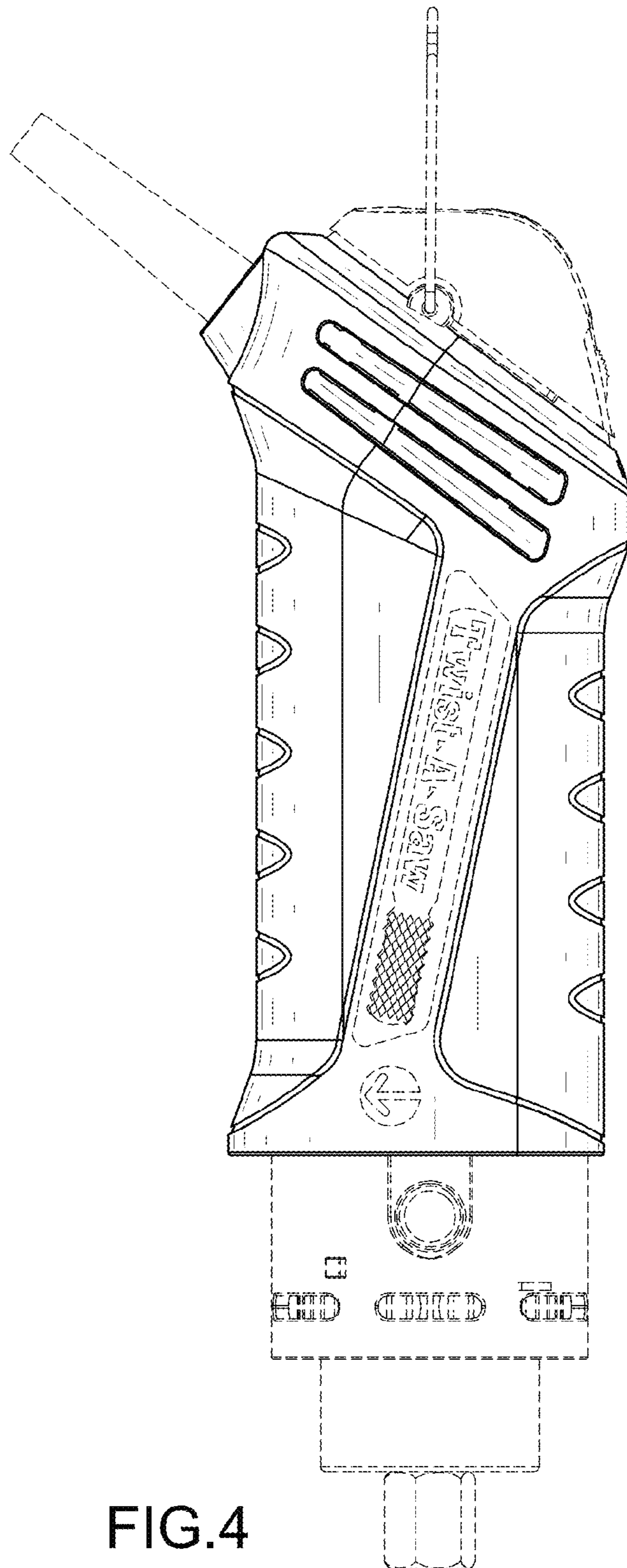


FIG. 4

