

US00D724920S

(12) **United States Design Patent**
Fisher

(10) **Patent No.:** **US D724,920 S**
(45) **Date of Patent:** **** Mar. 24, 2015**

- (54) **POWER TOOL ASSEMBLY**
- (71) Applicant: **James John Fisher**, Auckland (NZ)
- (72) Inventor: **James John Fisher**, Auckland (NZ)
- (73) Assignee: **Brand Developers Ltd.**, Auckland (NZ)
- (**) Term: **14 Years**
- (21) Appl. No.: **29/494,128**
- (22) Filed: **Jun. 17, 2014**
- (30) **Foreign Application Priority Data**

D661,563 S *	6/2012	Wilke	D8/61
D663,181 S *	7/2012	Zhou et al.	D8/61
D663,597 S *	7/2012	Wasielewski et al.	D8/61
D689,754 S *	9/2013	Hayakawa et al.	D8/61
D710,169 S *	8/2014	Guo et al.	D8/61
D717,624 S *	11/2014	Wenchel	D8/61

* cited by examiner

Primary Examiner — Austin Murphy
(74) *Attorney, Agent, or Firm* — Jonathan A. Kidney;
TechLaw, LLP

(57) **CLAIM**
The ornamental design for a a power tool assembly, as shown and described.

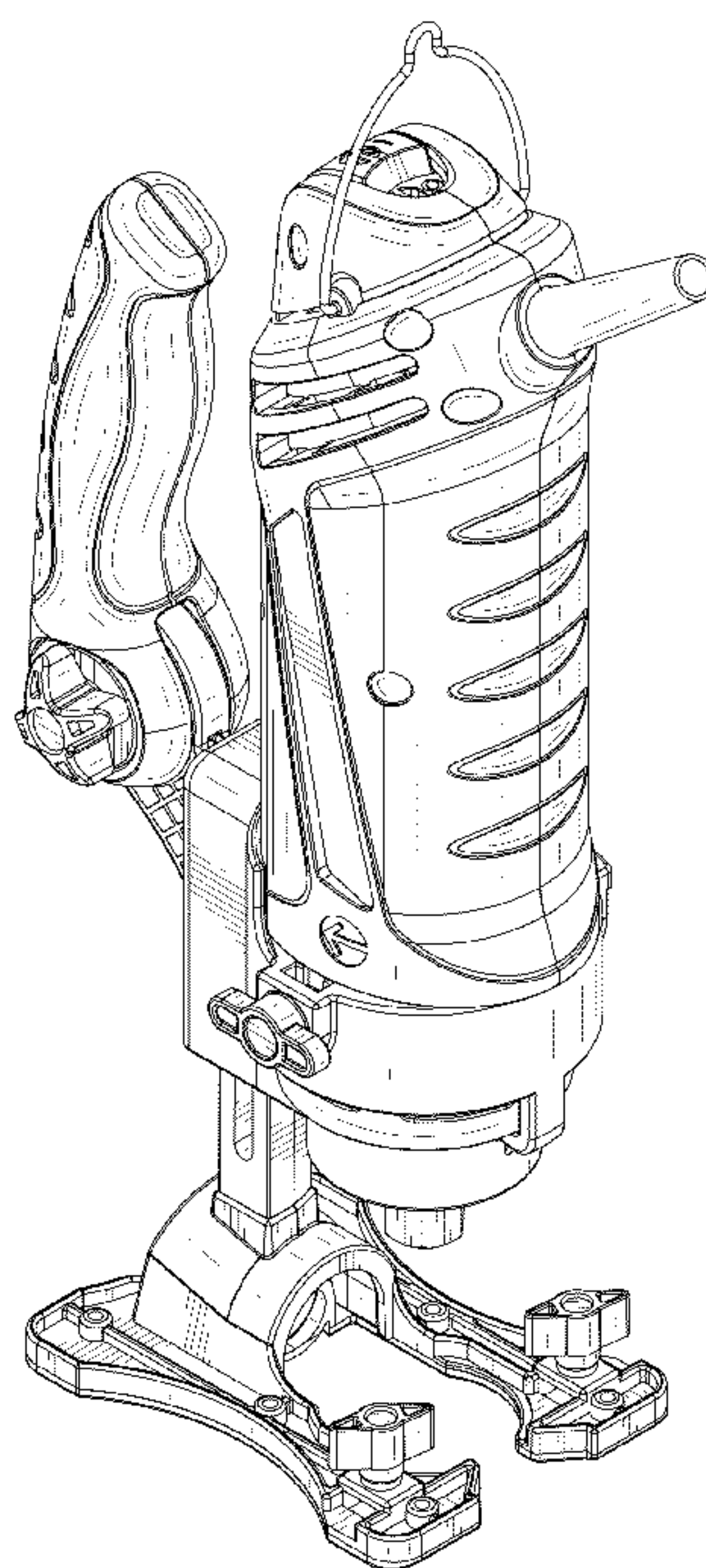
- Dec. 19, 2013 (AU) 201316681
- (51) **LOC (10) Cl.** **08-01**
- (52) **U.S. Cl.**
USPC **D8/61; D8/67**
- (58) **Field of Classification Search**
CPC B27C 5/10; B29C 2059/02; B27D 5/006;
B23B 45/00; E04F 2019/00; B27G 13/00
USPC D8/61, 67, 70, 107; 409/182, 180, 134,
409/132, 131; 144/48.6, 252.1, 154.5,
144/136.95
See application file for complete search history.

DESCRIPTION

FIG. 1 is a perspective top front view of an upright-positioned embodiment of a power tool assembly showing my new design;
FIG. 2 is a front view thereof;
FIG. 3 is a rear view thereof;
FIG. 4 is a left side view thereof;
FIG. 5 is a right side view thereof;
FIG. 6 is perspective top rear view thereof;
FIG. 7 is a top view thereof;
FIG. 8 is a bottom view thereof;
FIG. 9 is a left side view of a side-positioned embodiment of a power tool assembly;
FIG. 10 is a right side view thereof; and,
FIG. 11 is a perspective top back view thereof.
The broken lines in the drawings depict environmental subject matter only and form no part of the claimed design.

- (56) **References Cited**
U.S. PATENT DOCUMENTS
D570,172 S * 6/2008 Heun D8/61
D619,436 S * 7/2010 Baker et al. D8/61
D630,074 S * 1/2011 Wasielewski et al. D8/61

1 Claim, 11 Drawing Sheets



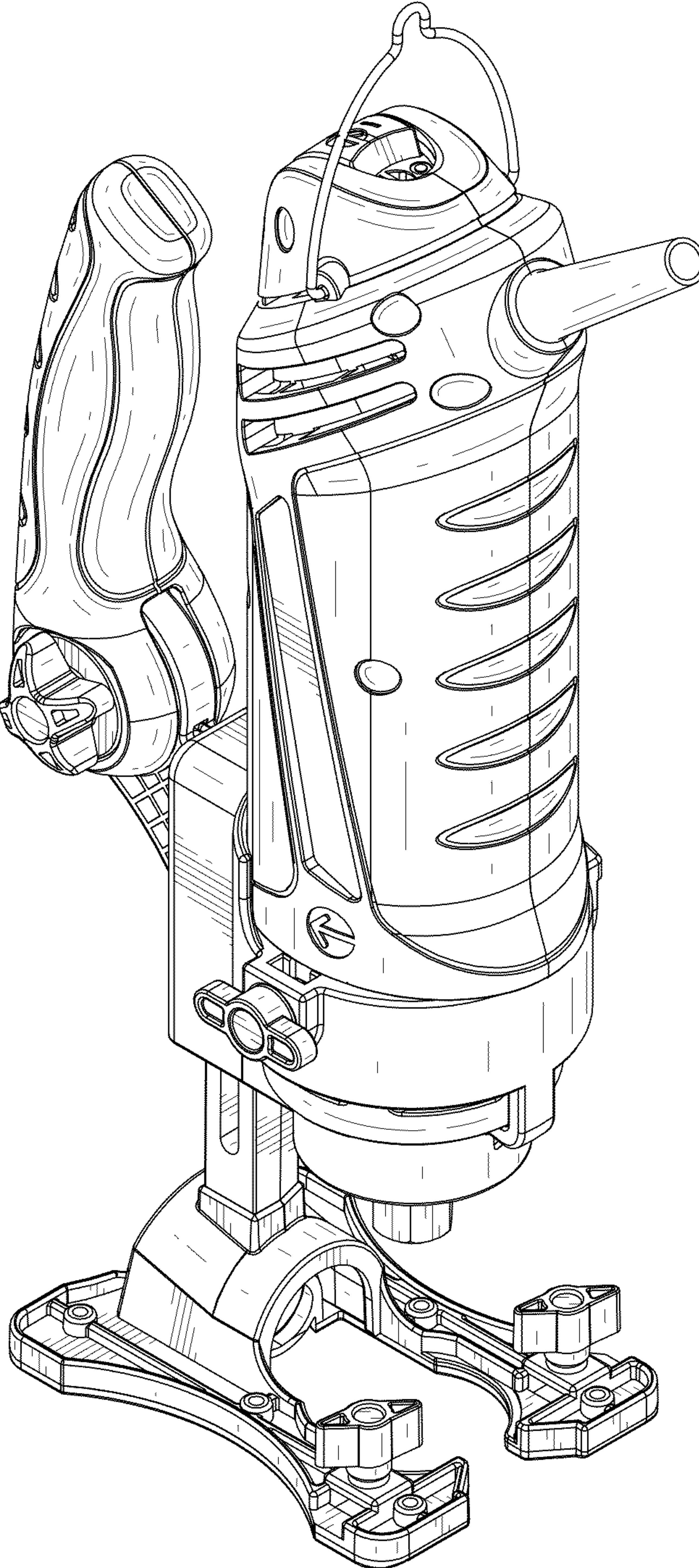


FIG. 1

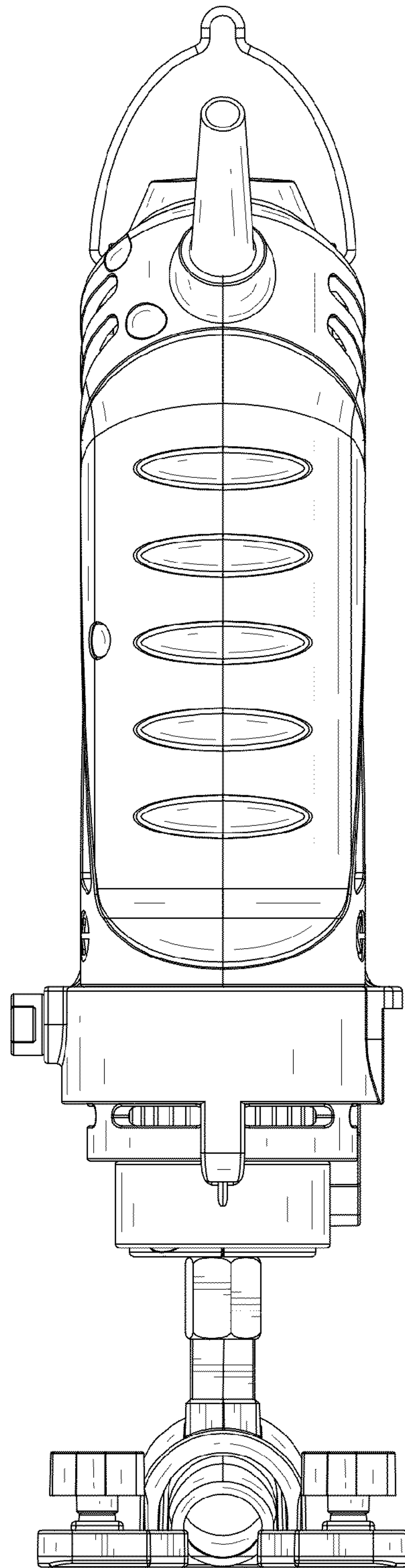


FIG.2

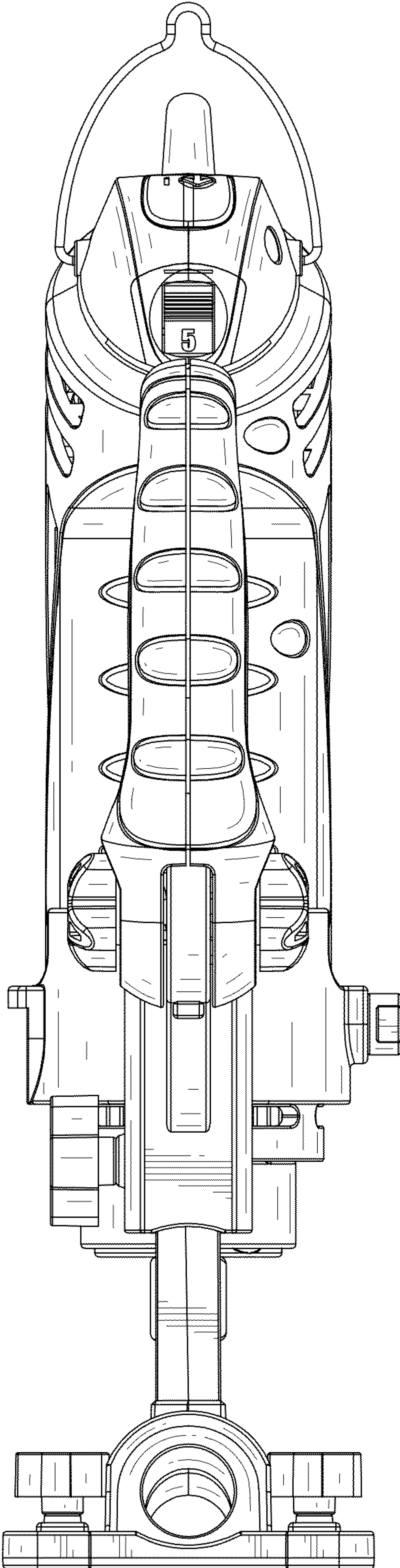


FIG.3

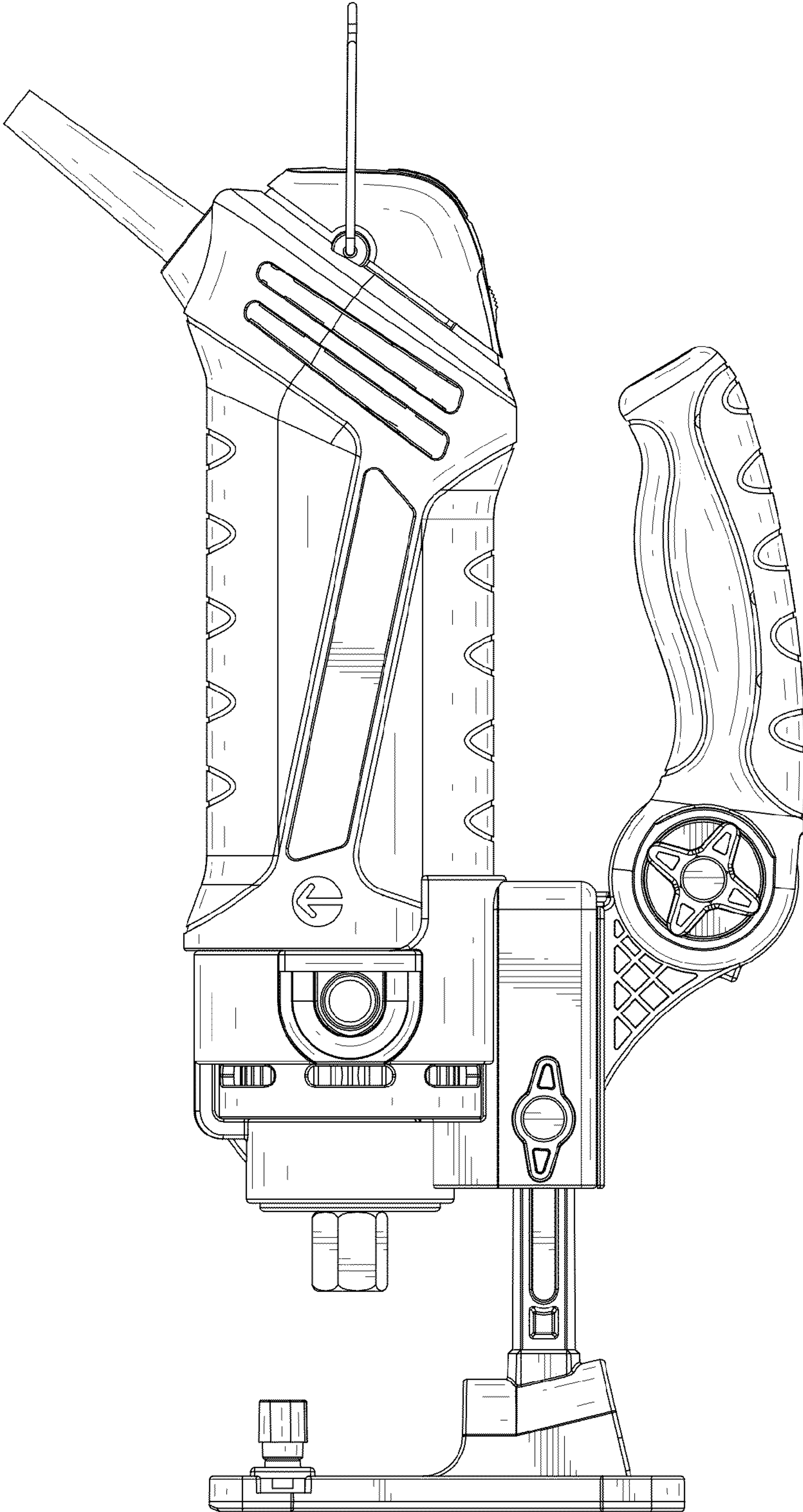


FIG.4

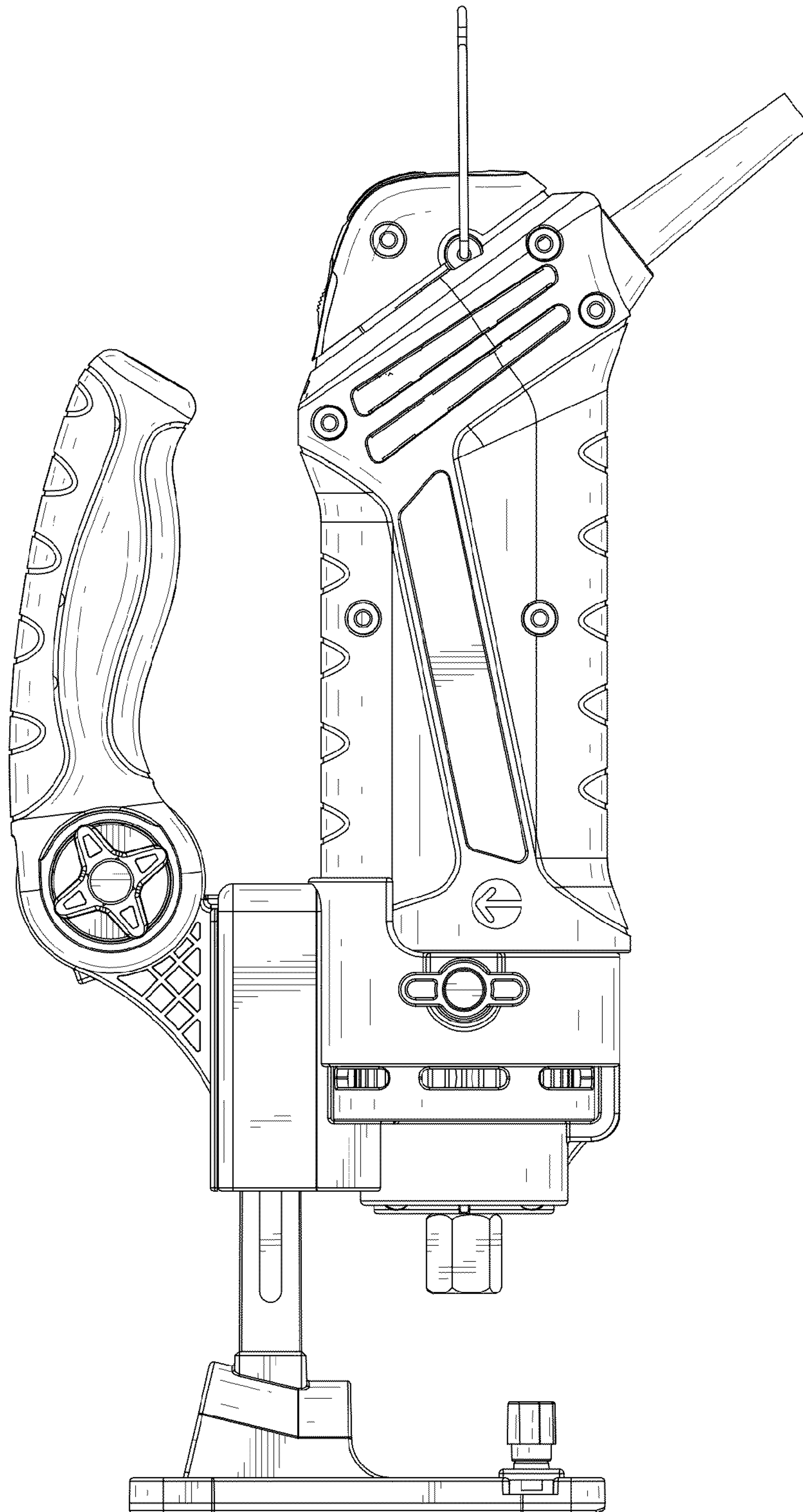


FIG.5

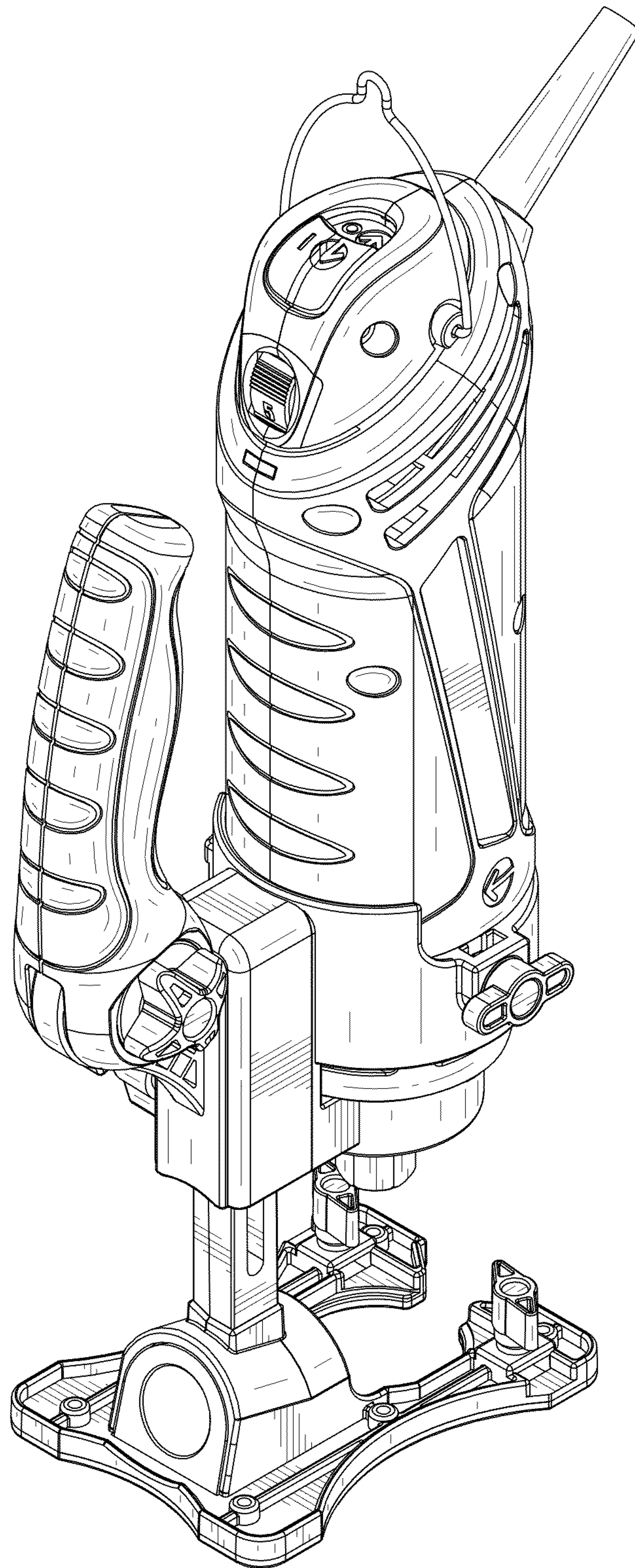


FIG.6

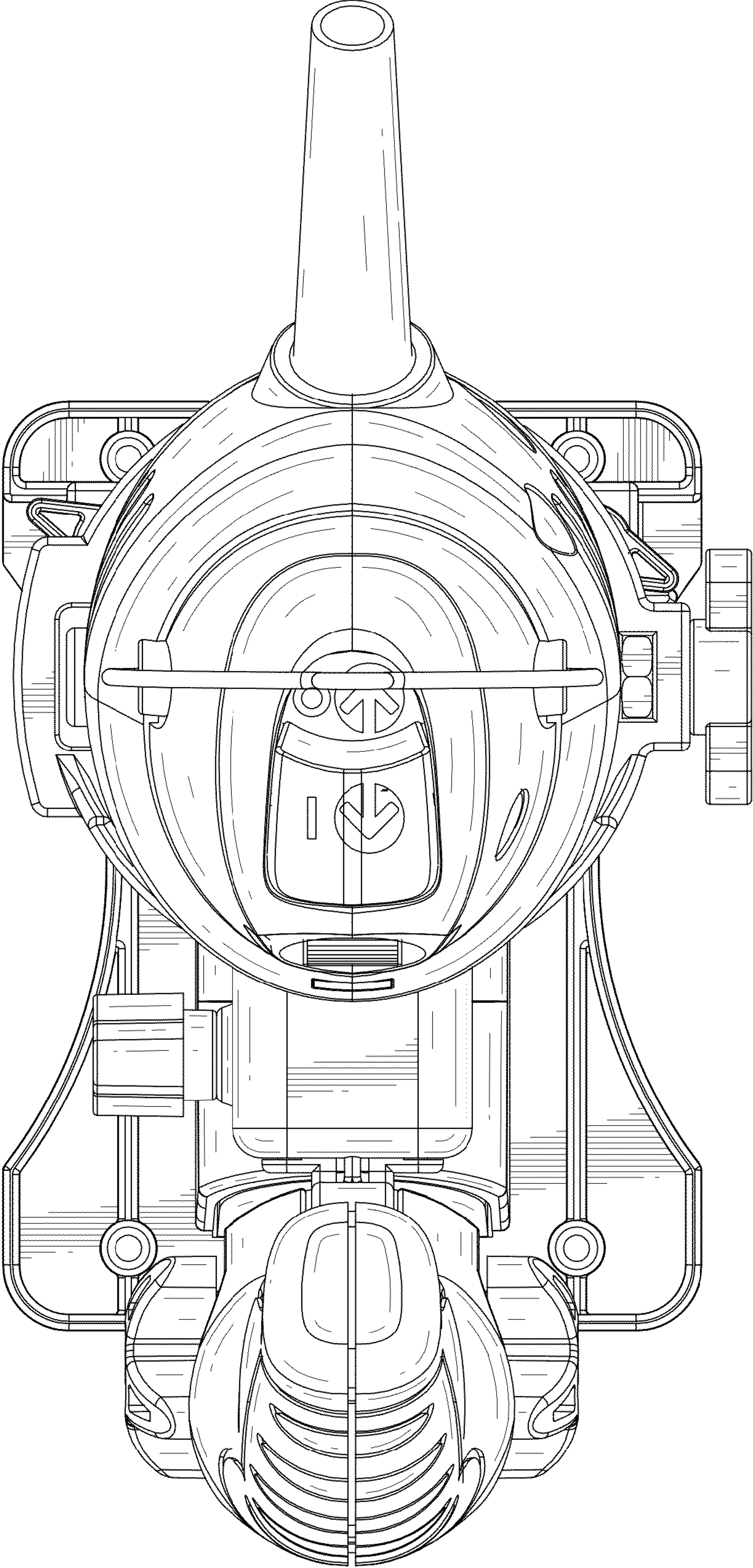


FIG. 7

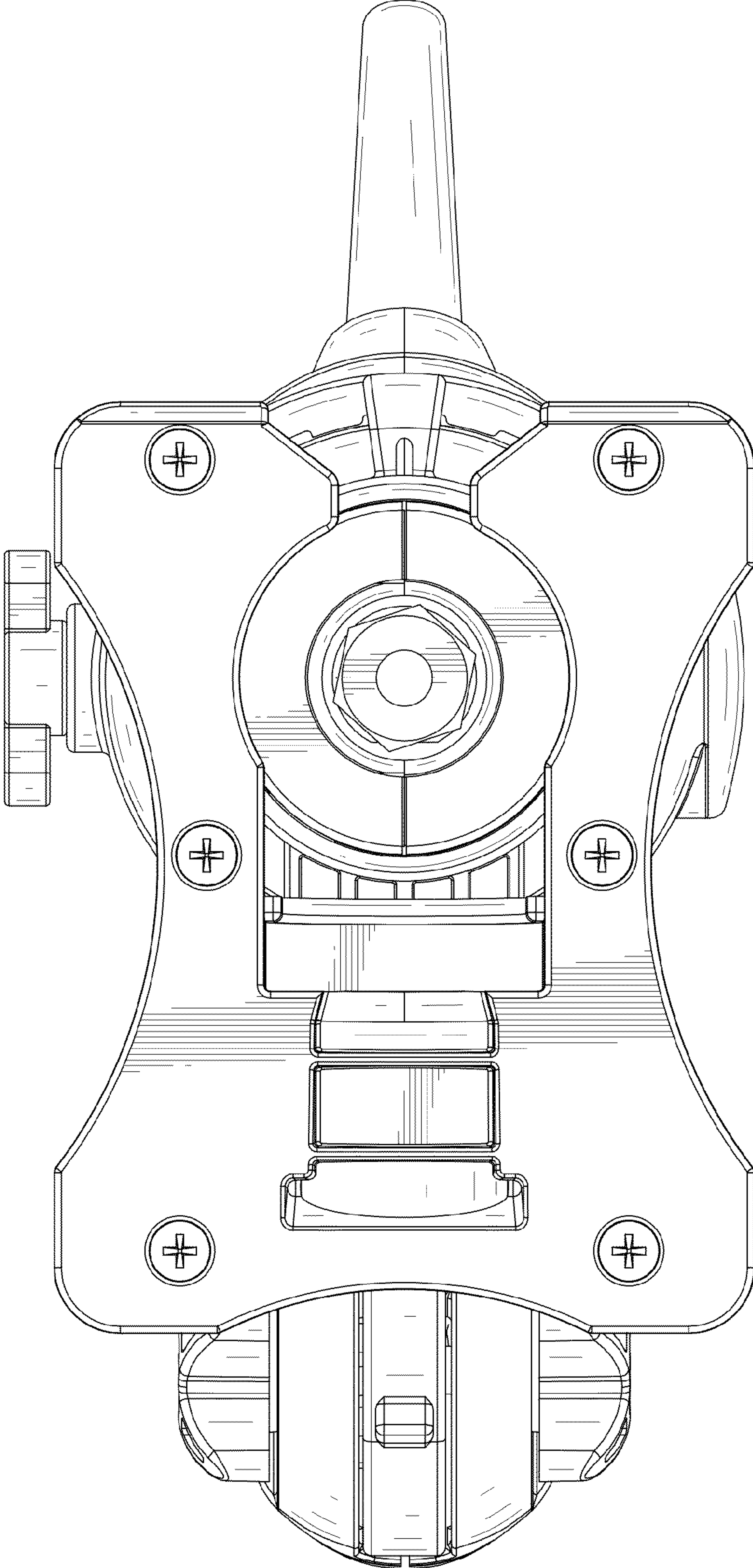


FIG. 8

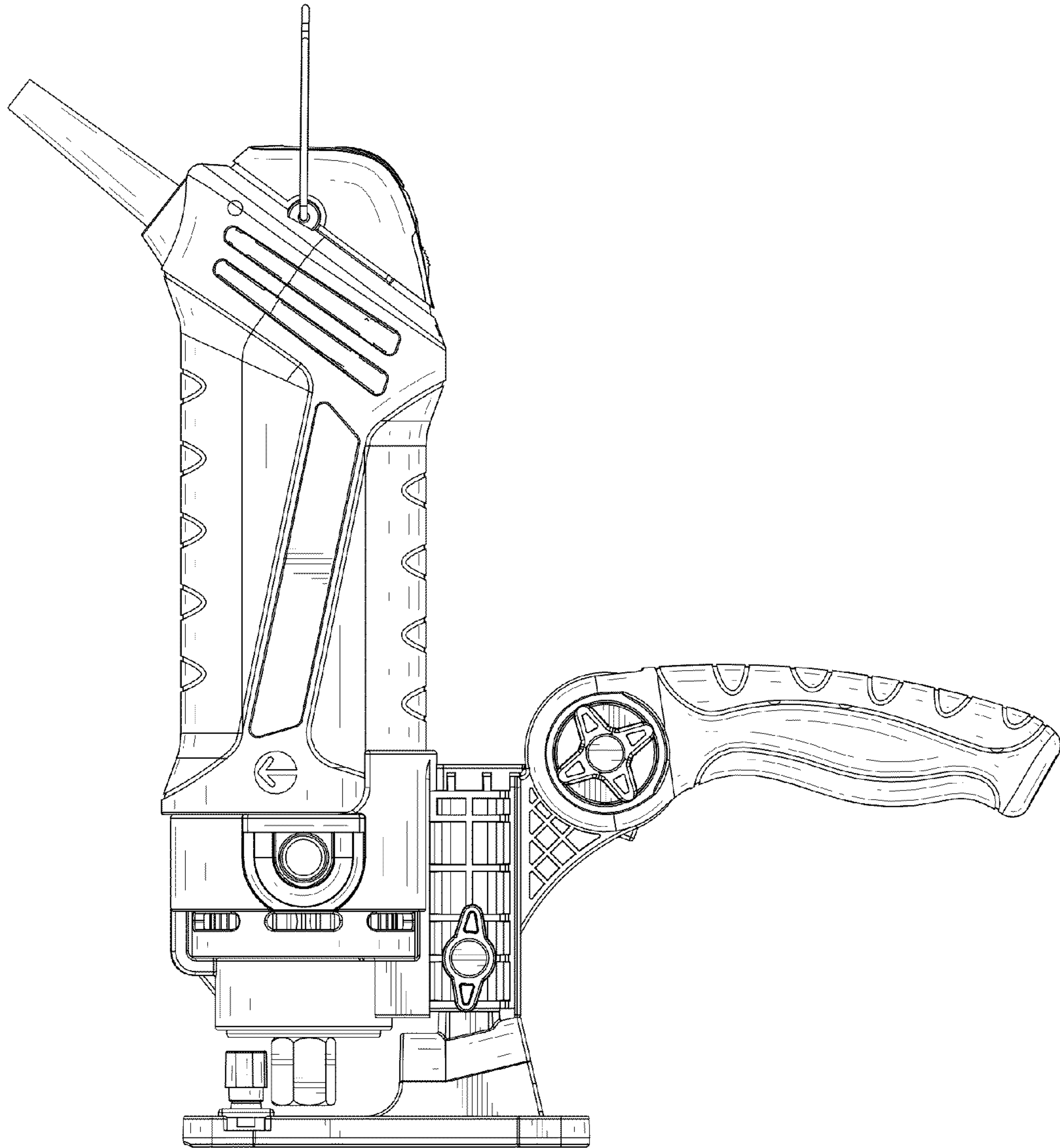


FIG.9

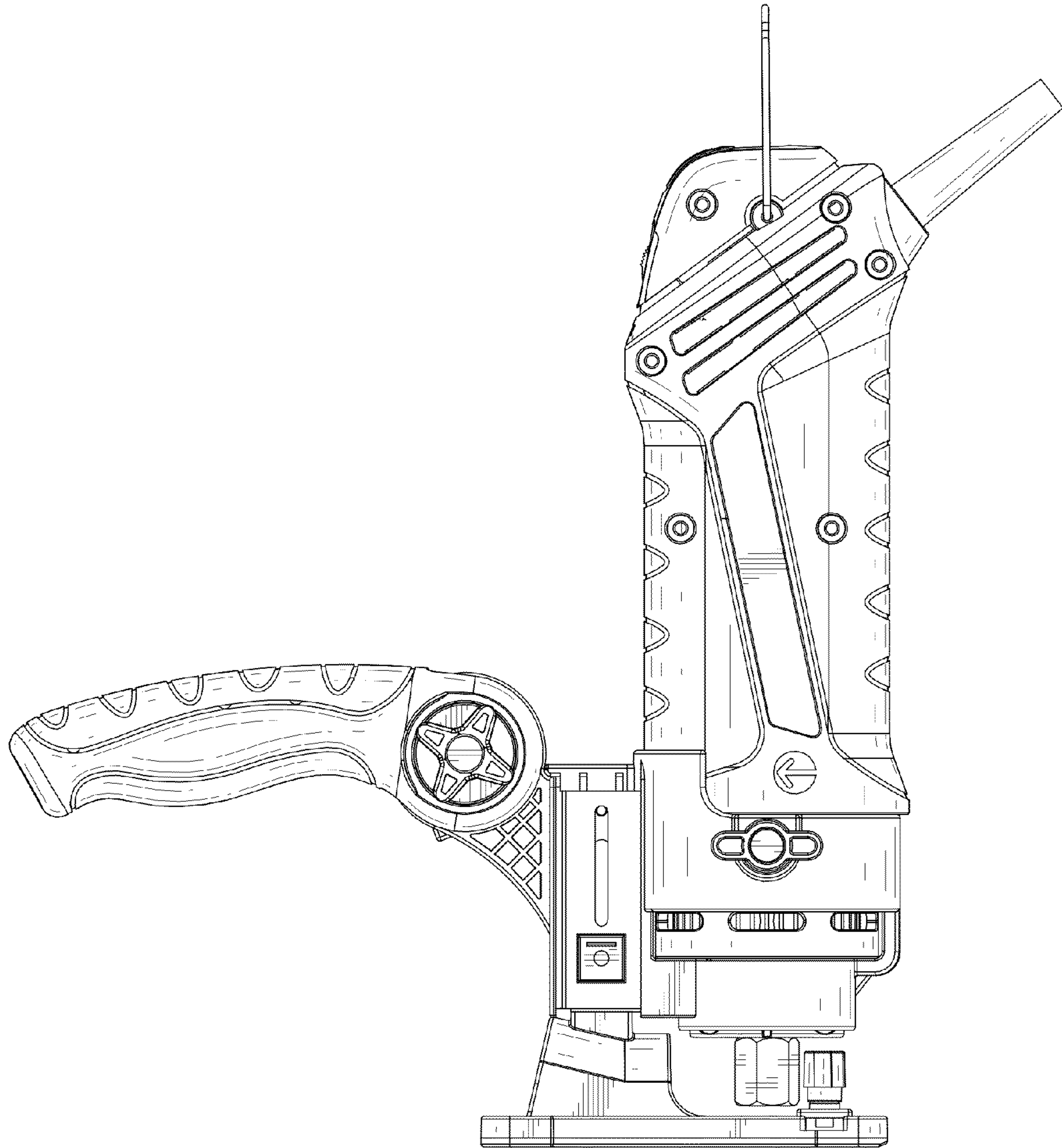


FIG.10

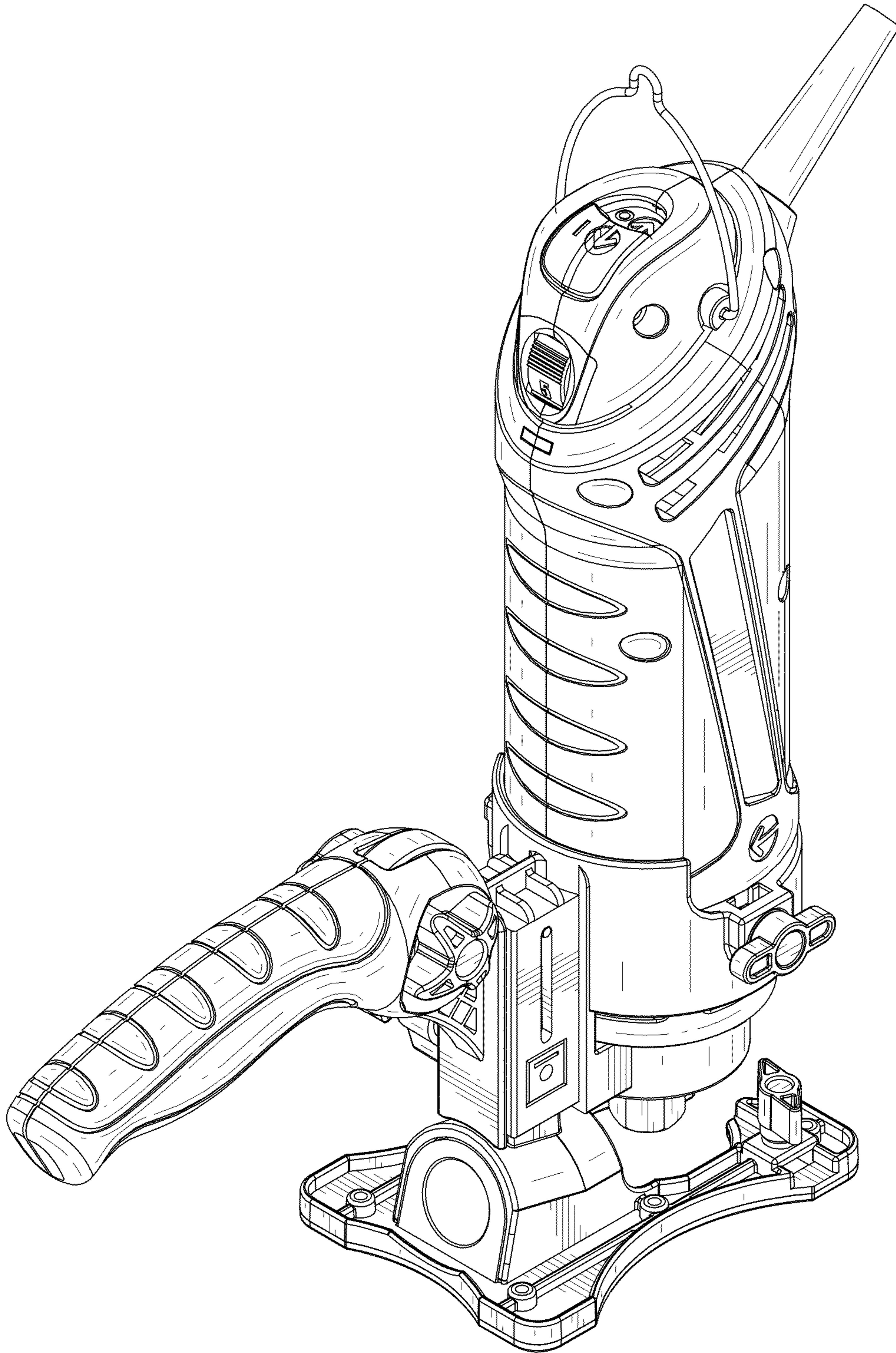


FIG.11