



US00D724916S

(12) **United States Design Patent**  
**Hoang**

(10) **Patent No.:** **US D724,916 S**  
(45) **Date of Patent:** **\*\* Mar. 24, 2015**

(54) **HAND TOOL**

- (71) Applicant: **Quic Industries**, Coronado, CA (US)
- (72) Inventor: **Nam Quoc Hoang**, San Diego, CA (US)
- (73) Assignee: **Quic Industries, Inc.**, Coronado, CA (US)
- (\*\*) Term: **14 Years**
- (21) Appl. No.: **29/467,935**
- (22) Filed: **Sep. 25, 2013**

**Related U.S. Application Data**

- (63) Continuation-in-part of application No. 14/037,146, filed on Sep. 25, 2013, which is a continuation-in-part of application No. 12/137,482, filed on Jun. 11, 2008, now Pat. No. 7,717,017.
- (51) **LOC (10) Cl.** ..... **08-05**
- (52) **U.S. Cl.**  
USPC ..... **D8/52; D28/60**
- (58) **Field of Classification Search**  
USPC ..... D8/52; D28/60; 30/26-29, 124, 125;  
132/75, 75.3, 75.4, 75.5, 75.6, 76.2;  
29/434; 81/342, 385  
See application file for complete search history.

(56) **References Cited**

**U.S. PATENT DOCUMENTS**

1,959,587 A	5/1934	Lawson
2,020,242 A	11/1935	Geddes

(Continued)

*Primary Examiner* — Ian Simmons

*Assistant Examiner* — Harold Blackwell, II

(74) *Attorney, Agent, or Firm* — Jerry R. Potts

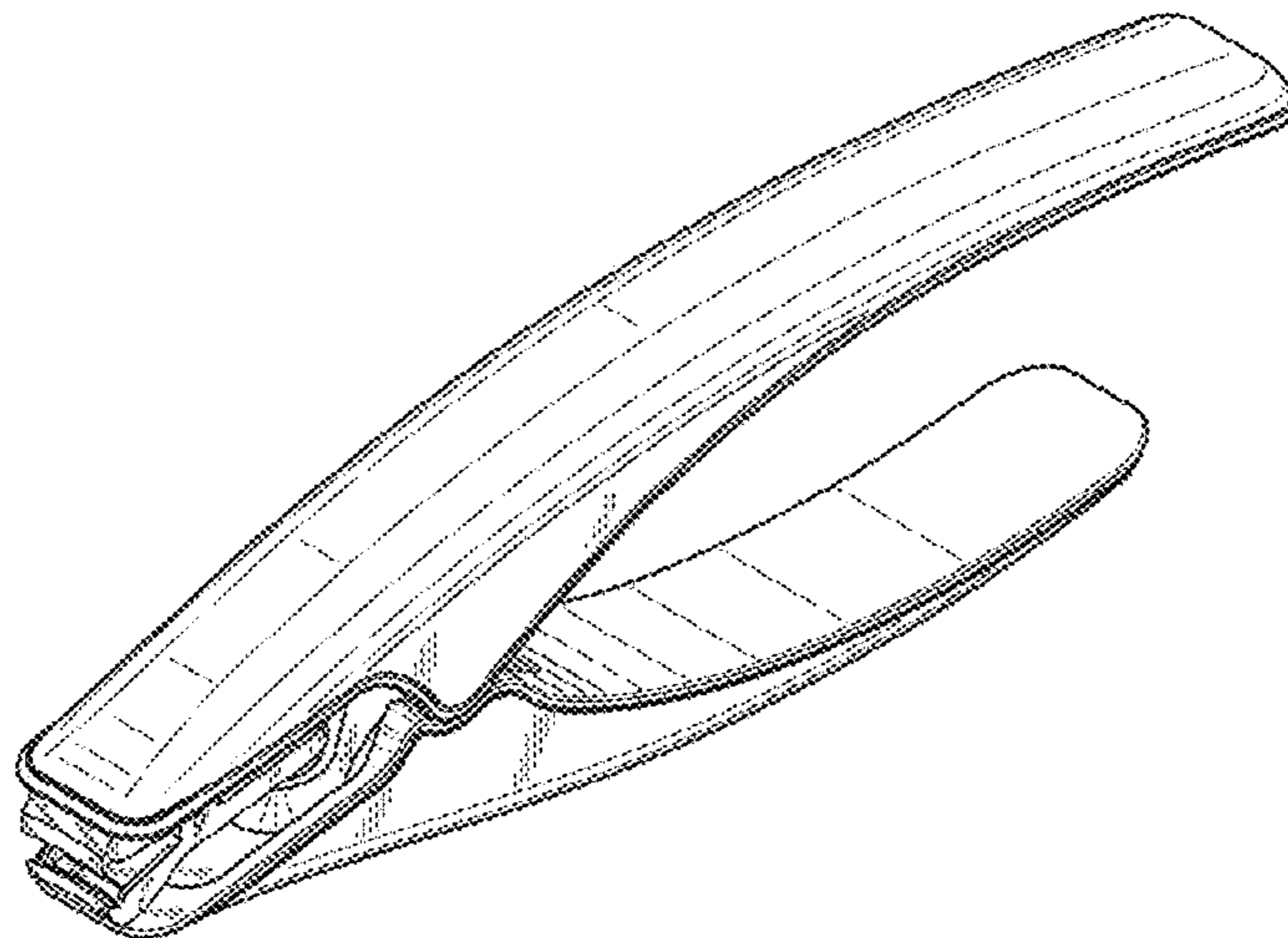
(57) **CLAIM**

I claim the ornamental design for hand tool, as shown and described.

**DESCRIPTION**

FIG. 1 is a perspective view of a hand tool according to an embodiment of the design;  
 FIG. 2 is a front view in elevation of the design shown in FIG. 1;  
 FIG. 3 is a rear view in elevation of the design shown in FIG. 1;  
 FIG. 4 is a top plan view of the design shown in FIG. 1;  
 FIG. 5 is a bottom view of the design shown in FIG. 1;  
 FIG. 6 is a right side view in elevation of the design shown in FIG. 1;  
 FIG. 7 is a left side view in elevation of the design shown in FIG. 1;  
 FIG. 8 is a perspective view of the design shown in FIG. 1 with a tool head thereof rotated to the right;  
 FIG. 9 is a front view in elevation of the design shown in FIG. 1 with the tool head thereof rotated to the right;  
 FIG. 10 is a rear view in elevation of the design shown in FIG. 1 with the tool head thereof rotated to the left;  
 FIG. 11 is a top plan view of the design shown in FIG. 1 with the tool head thereof rotated to the right;  
 FIG. 12 is a bottom plan view of the design shown in FIG. 1 with the tool head thereof rotated to the left;  
 FIG. 13 is a right side view in elevation of the design shown in FIG. 1 with the tool head thereof rotated to the right;  
 FIG. 14 is a left side view in elevation of the design shown in FIG. 1 with the tool head thereof rotated to the left;  
 FIG. 15 is a perspective view of the design shown in FIG. 1 with the tool head thereof rotated to the left;  
 FIG. 16 is a front view in elevation of the design shown in FIG. 1 with the tool head thereof rotated to the left;  
 FIG. 17 is a rear view in elevation of the design shown in FIG. 1 with the tool head thereof rotated to the right;  
 FIG. 18 is a top plan view of the design shown in FIG. 1 with the tool head thereof rotated to the left;  
 FIG. 19 is a bottom plan view of the design shown in FIG. 1 with the tool head thereof rotated to the right;  
 FIG. 20 is a right side view in elevation of the design shown in FIG. 1 with the tool head thereof rotated to the left; and,  
 FIG. 21 is a left side view in elevation of the design shown in FIG. 1 with the tool head thereof rotated to the right

**1 Claim, 9 Drawing Sheets**



(56)

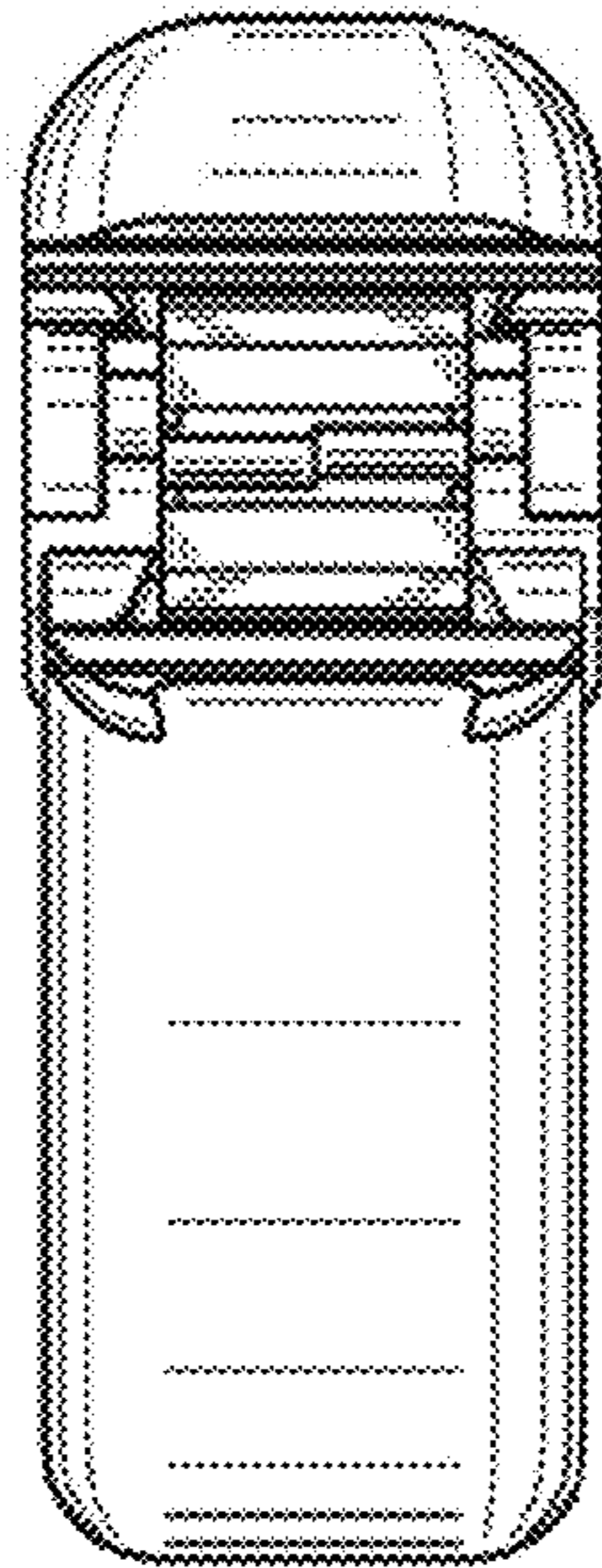
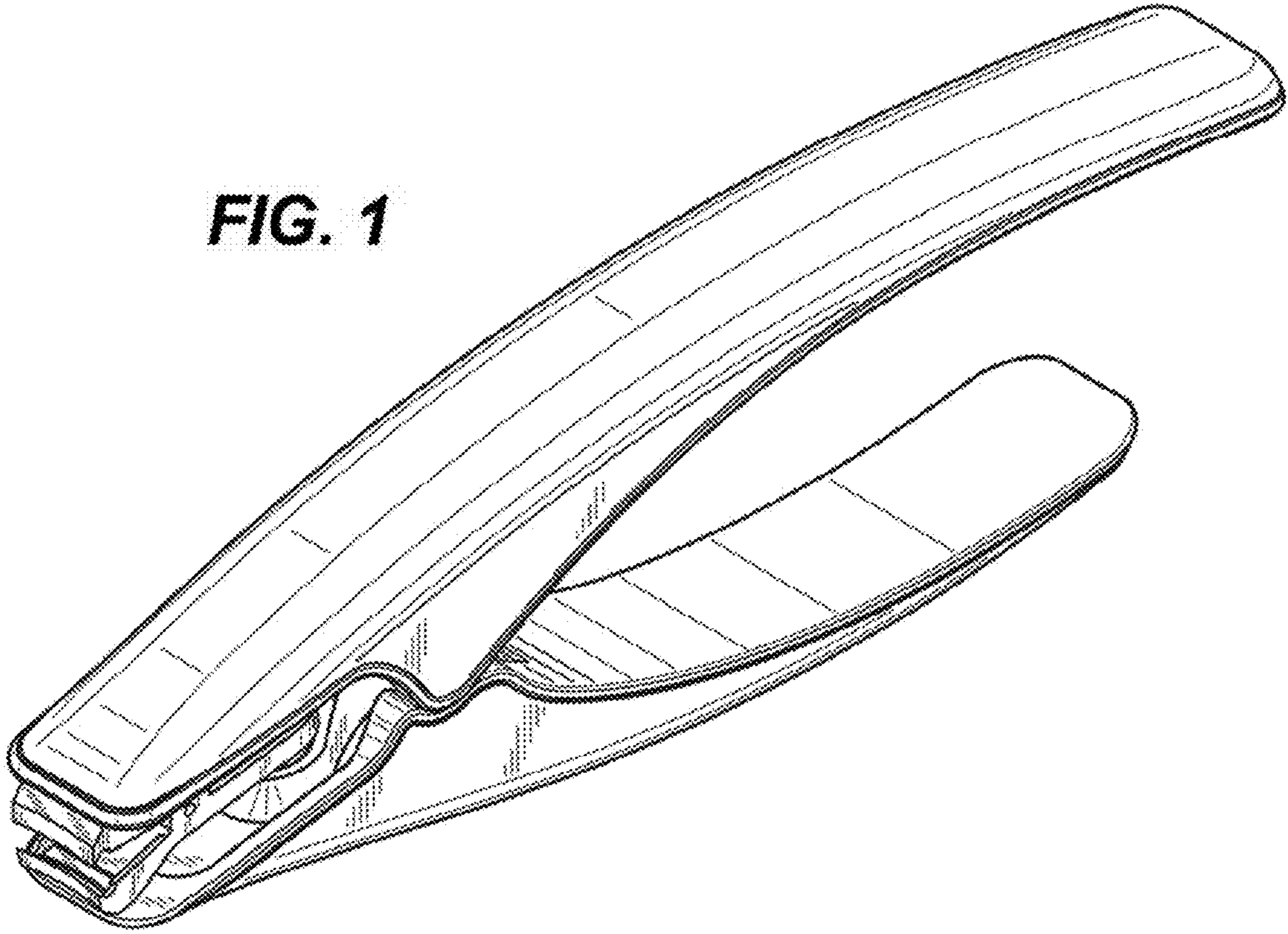
References Cited

U.S. PATENT DOCUMENTS

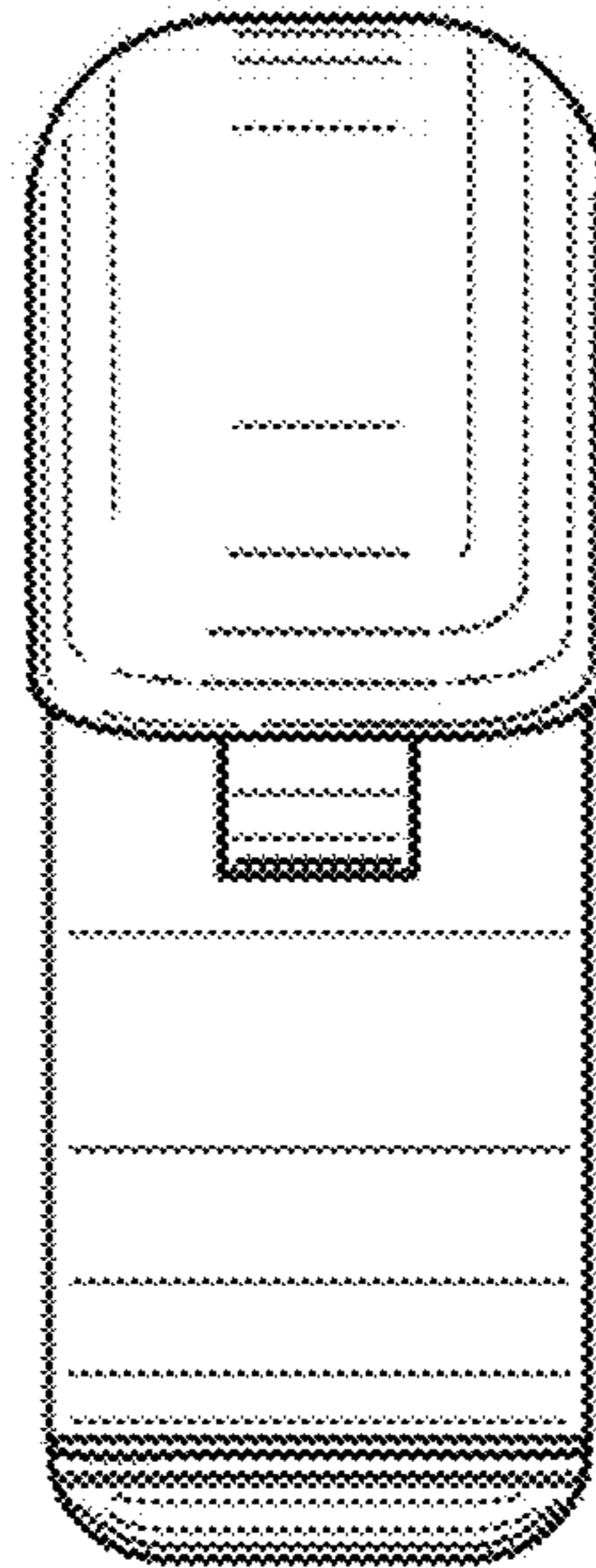
2,109,147	A	2/1938	Grosso			
2,507,710	A	7/1973	White			
4,614,031	A *	9/1986	Chen	.....	30/28	
5,063,666	A	11/1991	Tsay			
5,666,728	A	9/1997	Silva			
6,173,497	B1 *	1/2001	Domenge	.....	30/28	
6,941,657	B2 *	9/2005	Choi et al.	.....	30/28	
D516,249	S *	2/2006	Merheje	.....	D28/60	
7,020,964	B2	4/2006	Han et al.			
7,062,855	B2 *	6/2006	Merheje	.....	30/28	
D547,006	S *	7/2007	Han et al.	.....	D28/60	
D593,712	S *	6/2009	Han et al.	.....	D28/60	
7,717,017	B2 *	5/2010	McBride et al.	.....	81/342	
7,954,242	B1 *	6/2011	Brizan	.....	30/28	
8,001,692	B2 *	8/2011	Han et al.	.....	30/28	
8,356,414	B2 *	1/2013	Wendorf et al.	.....	30/26	
2002/0092172	A1 *	7/2002	Park	.....	30/28	
2014/0041195	A1 *	2/2014	Hoang	.....	29/434	

\* cited by examiner

**FIG. 1**



**FIG. 2**



**FIG. 3**



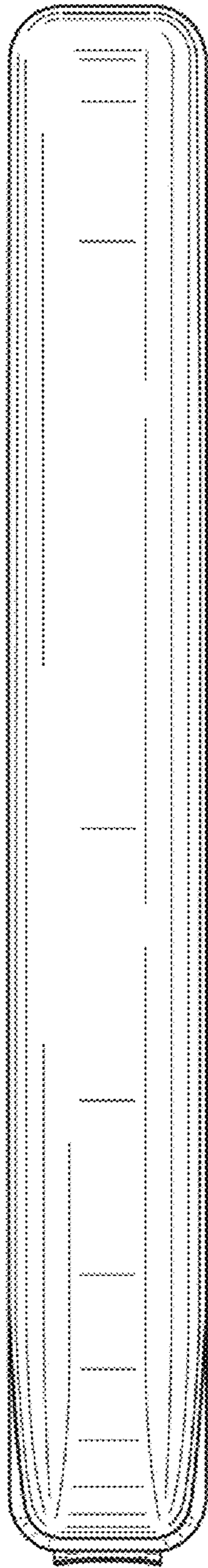


FIG. 4

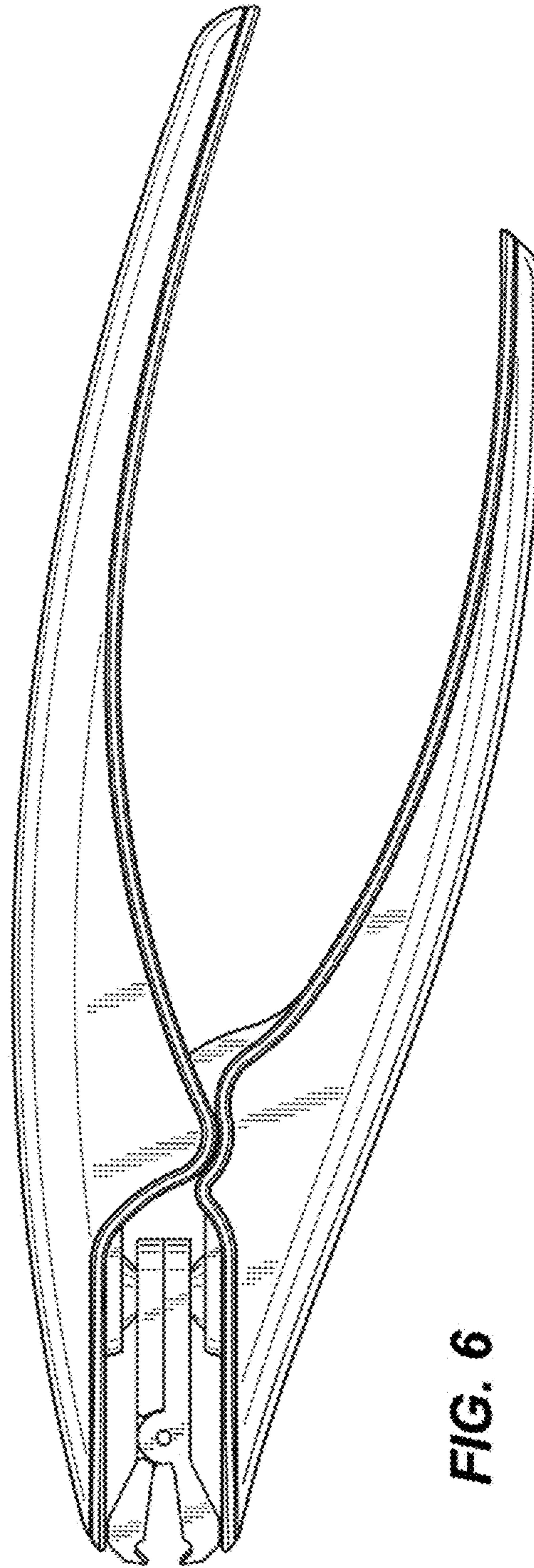


FIG. 6

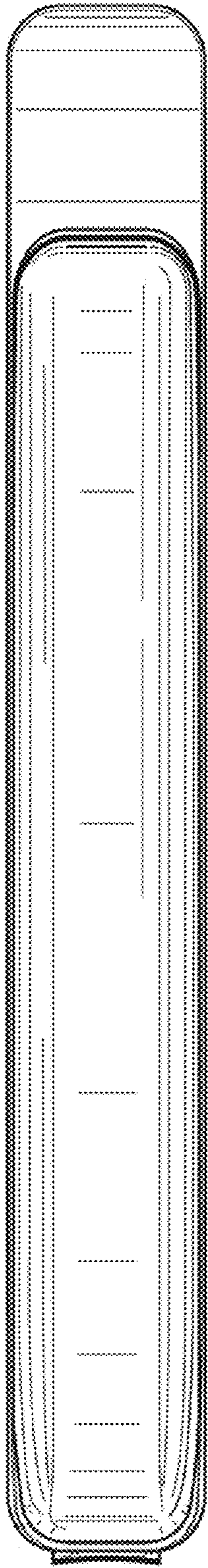


FIG. 5

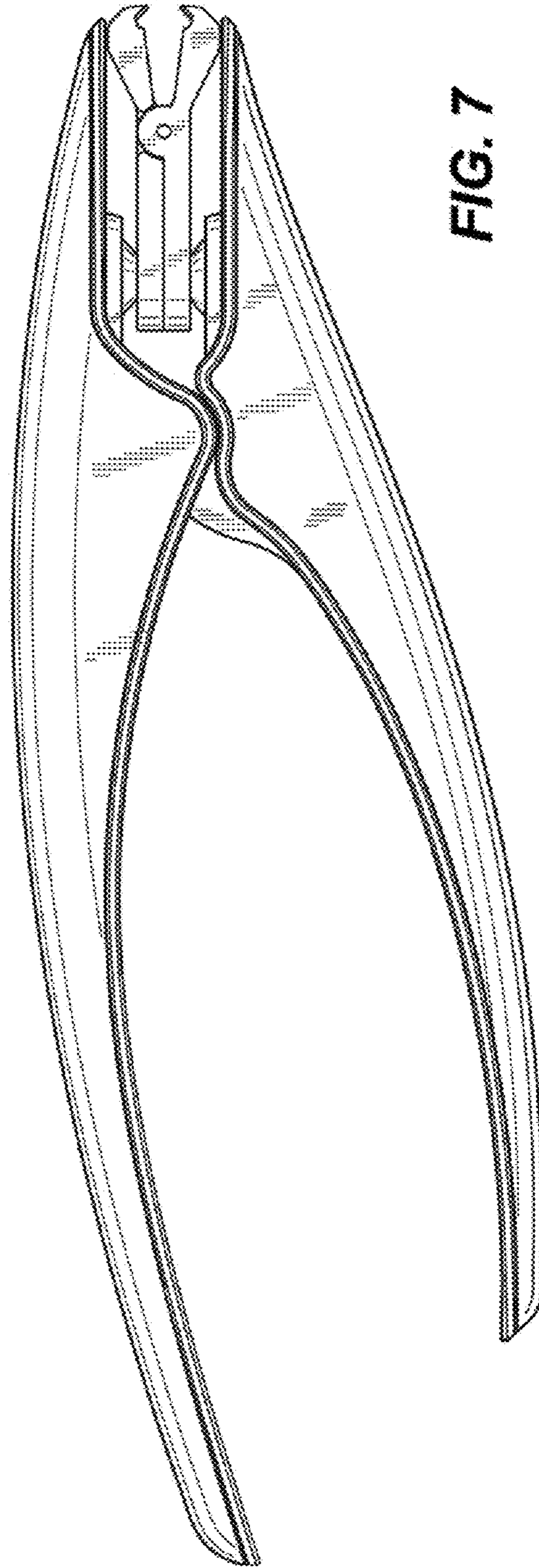


FIG. 7



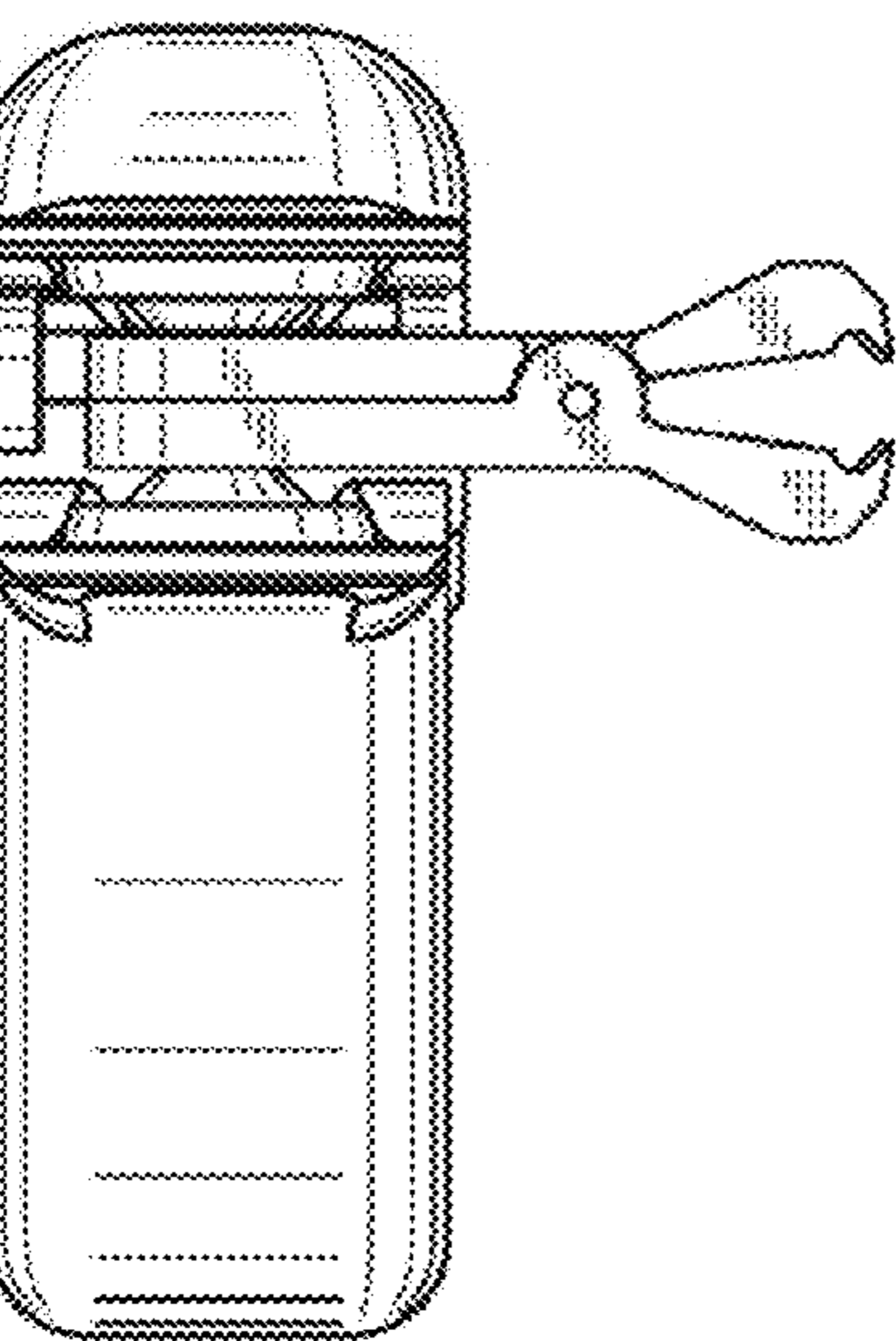
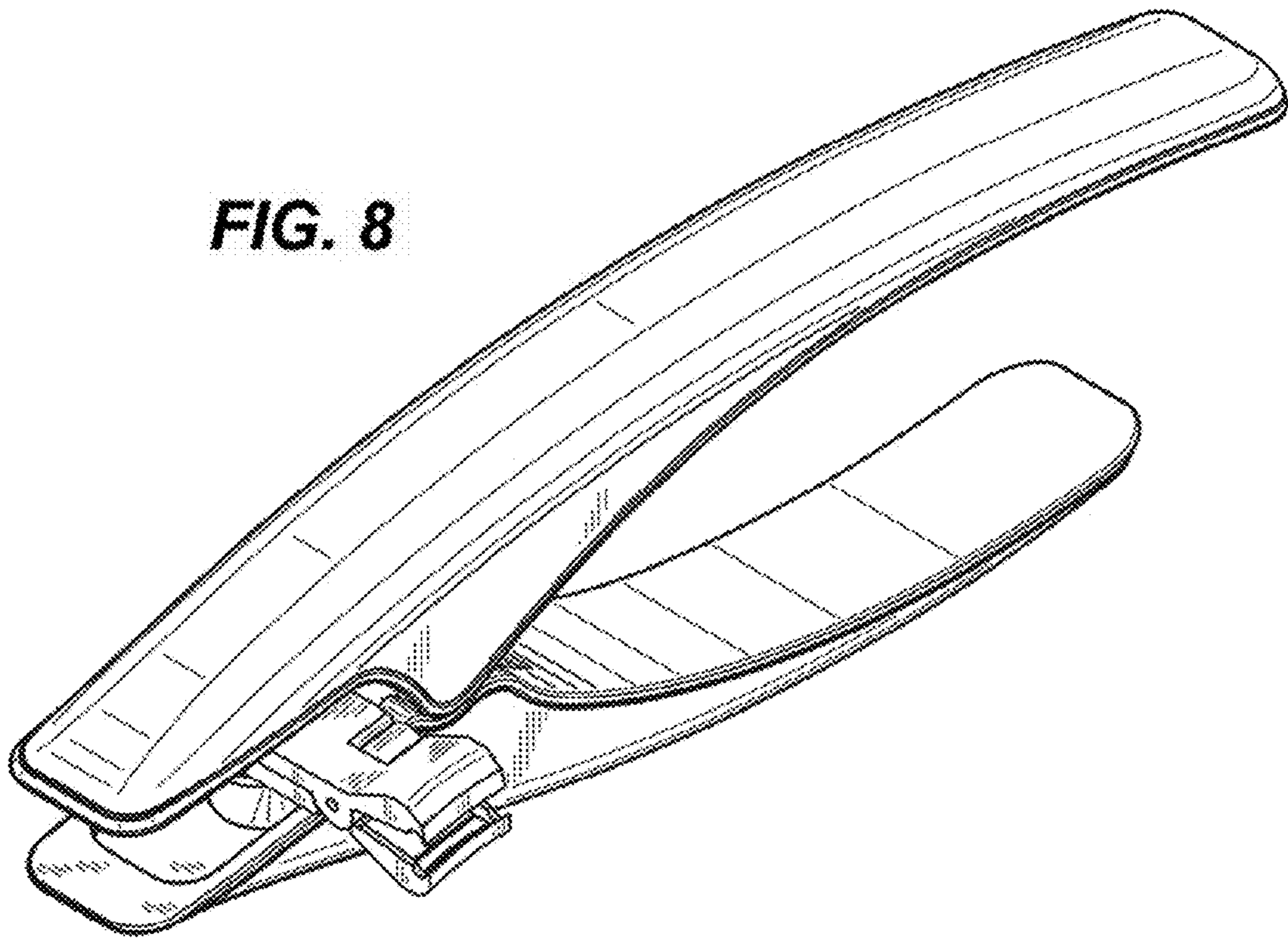


FIG. 9

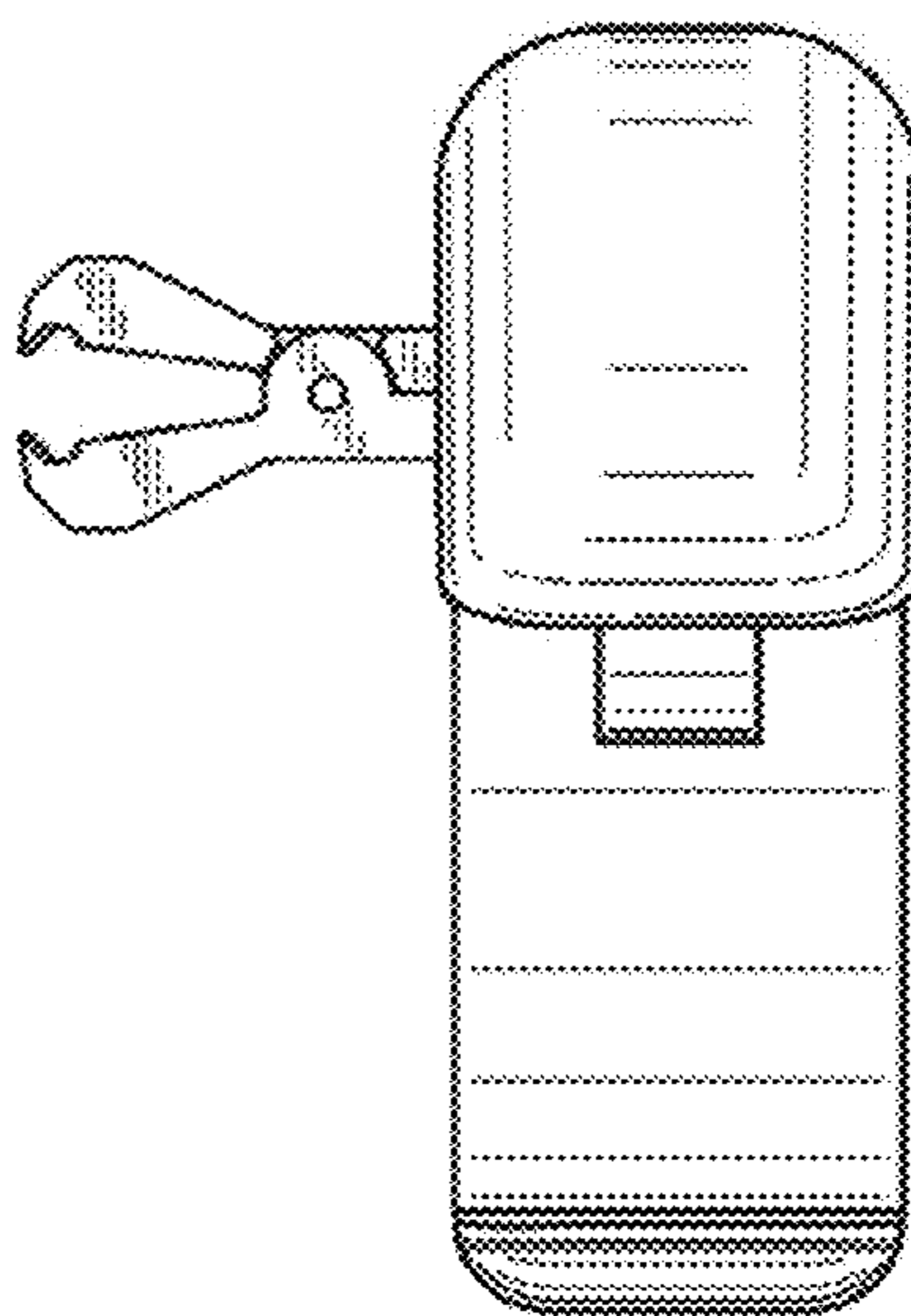
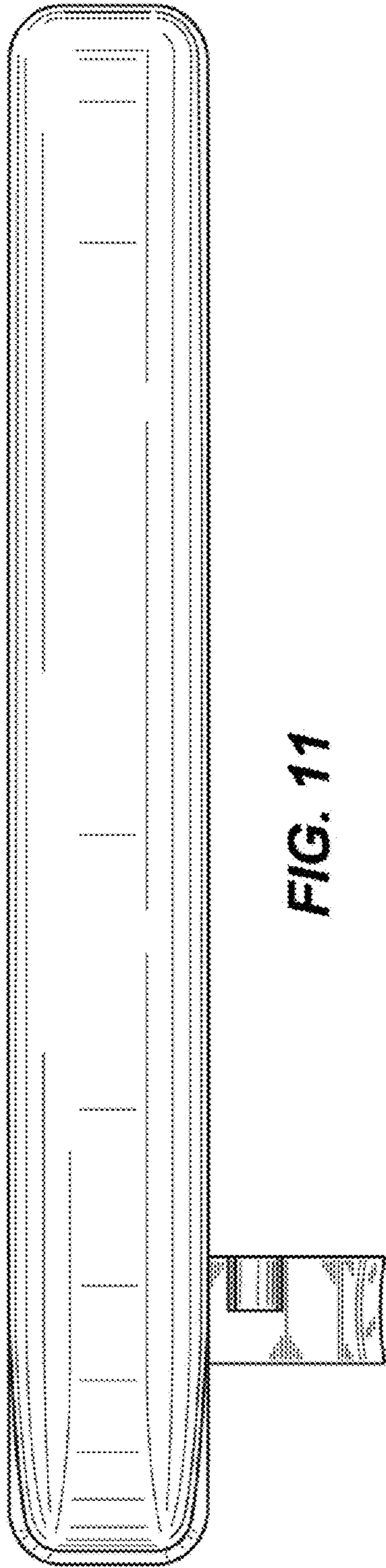
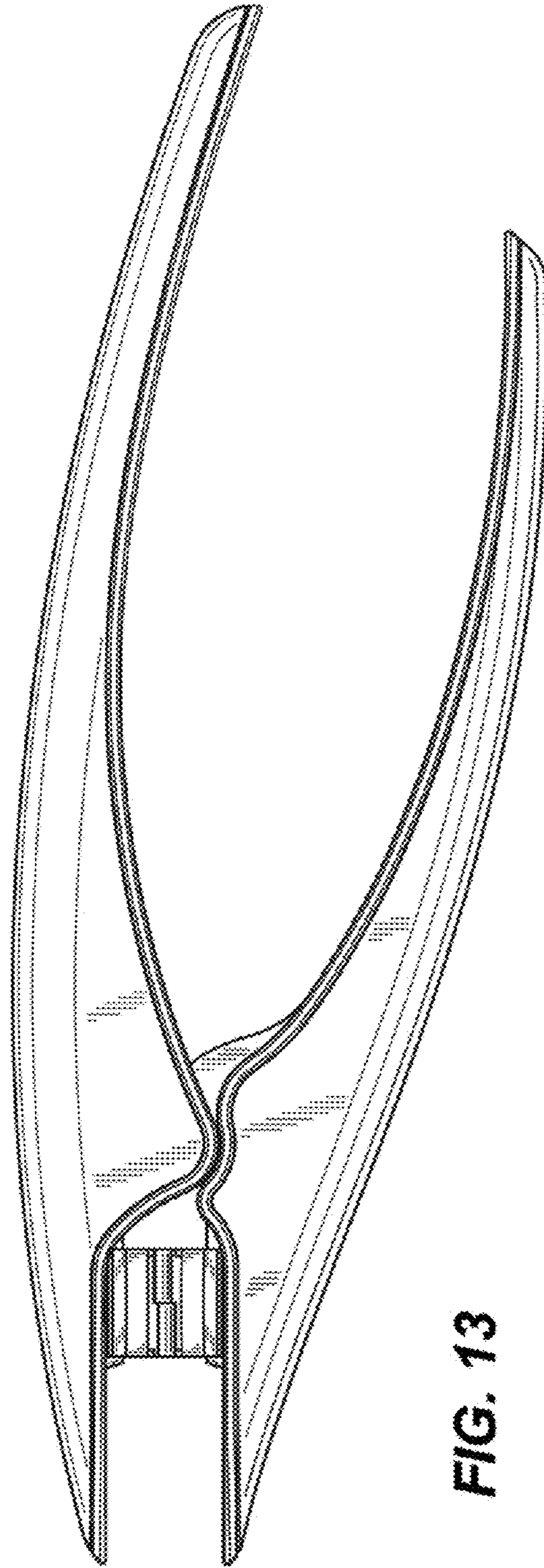


FIG. 10



**FIG. 11**



**FIG. 13**



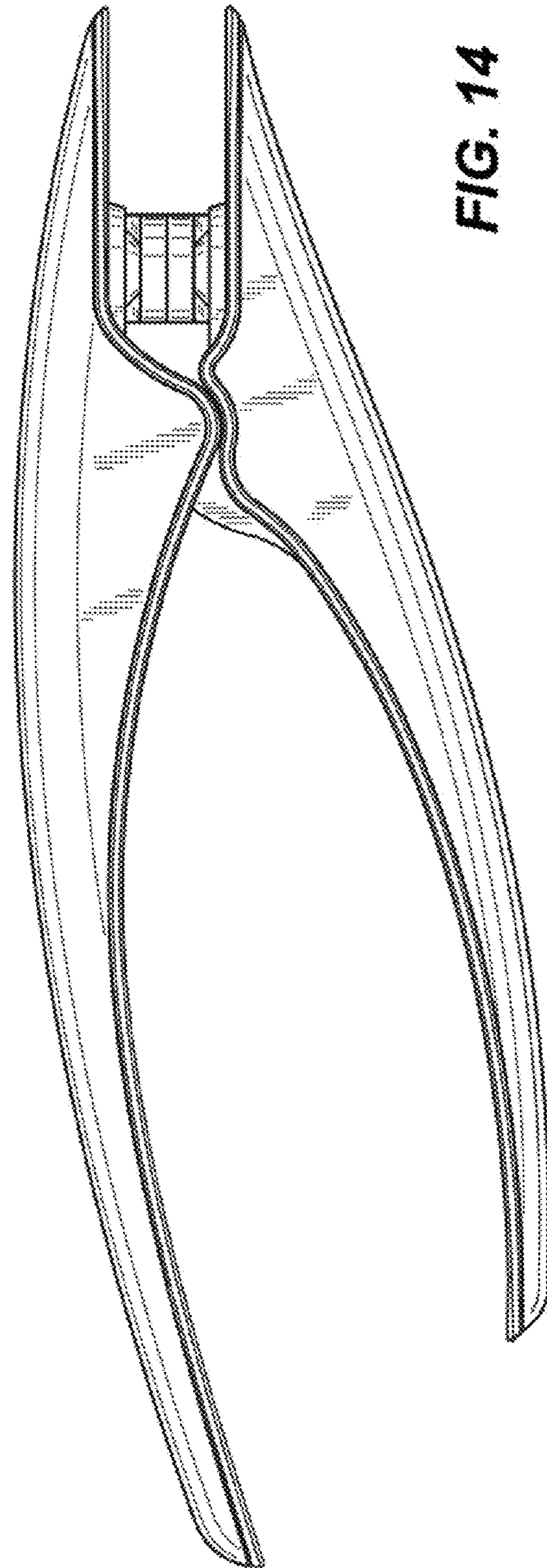
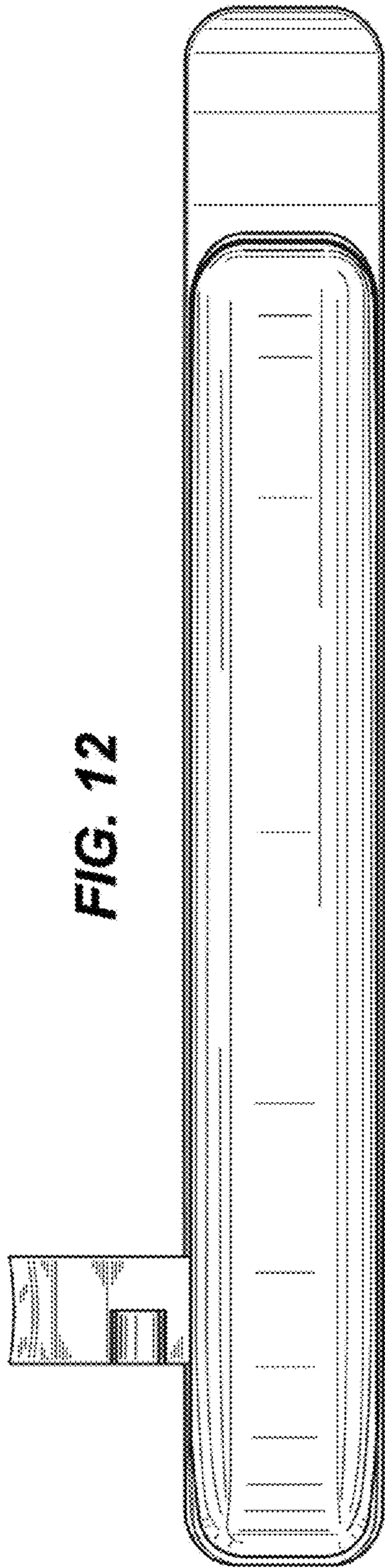


FIG. 12

FIG. 14



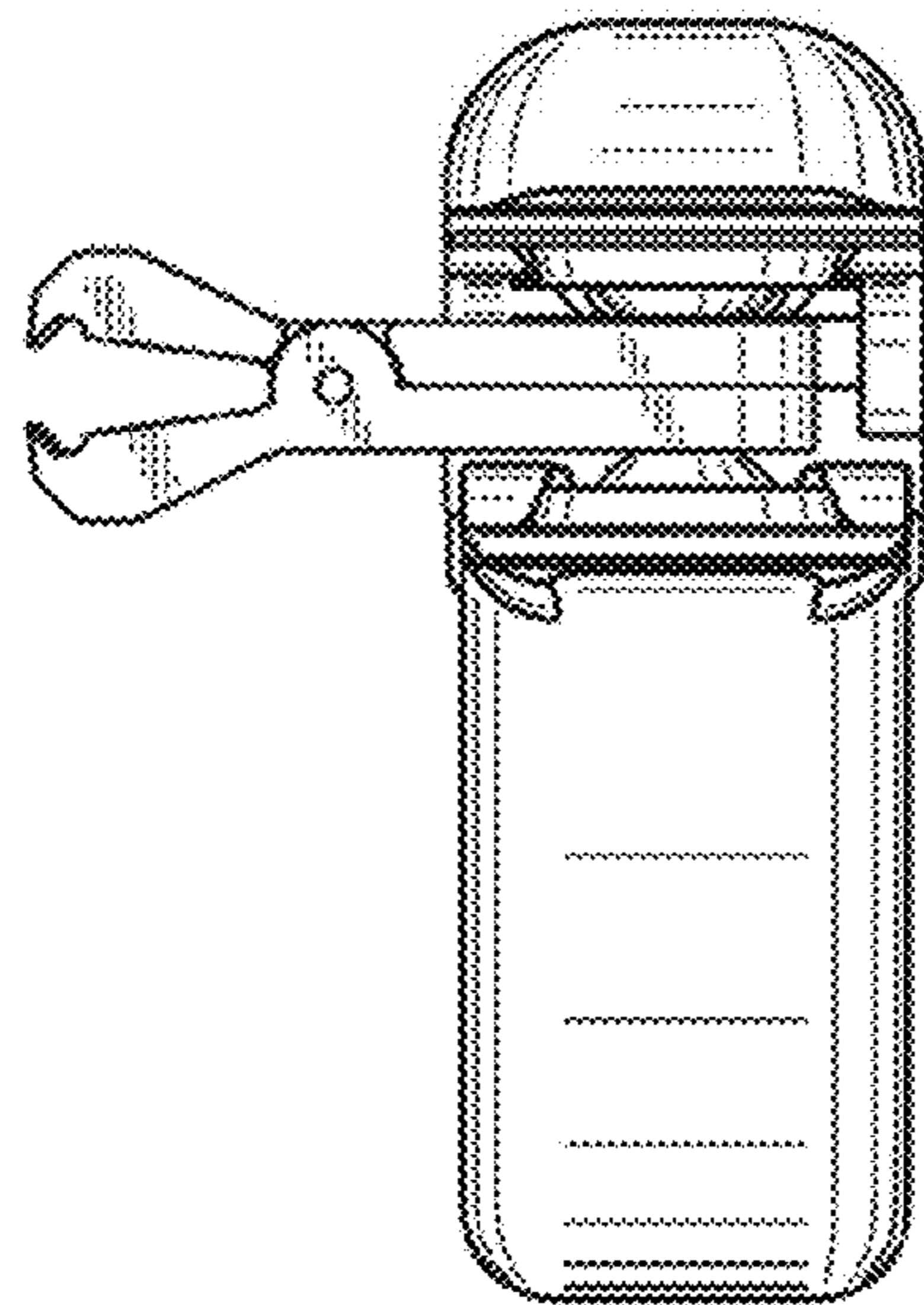
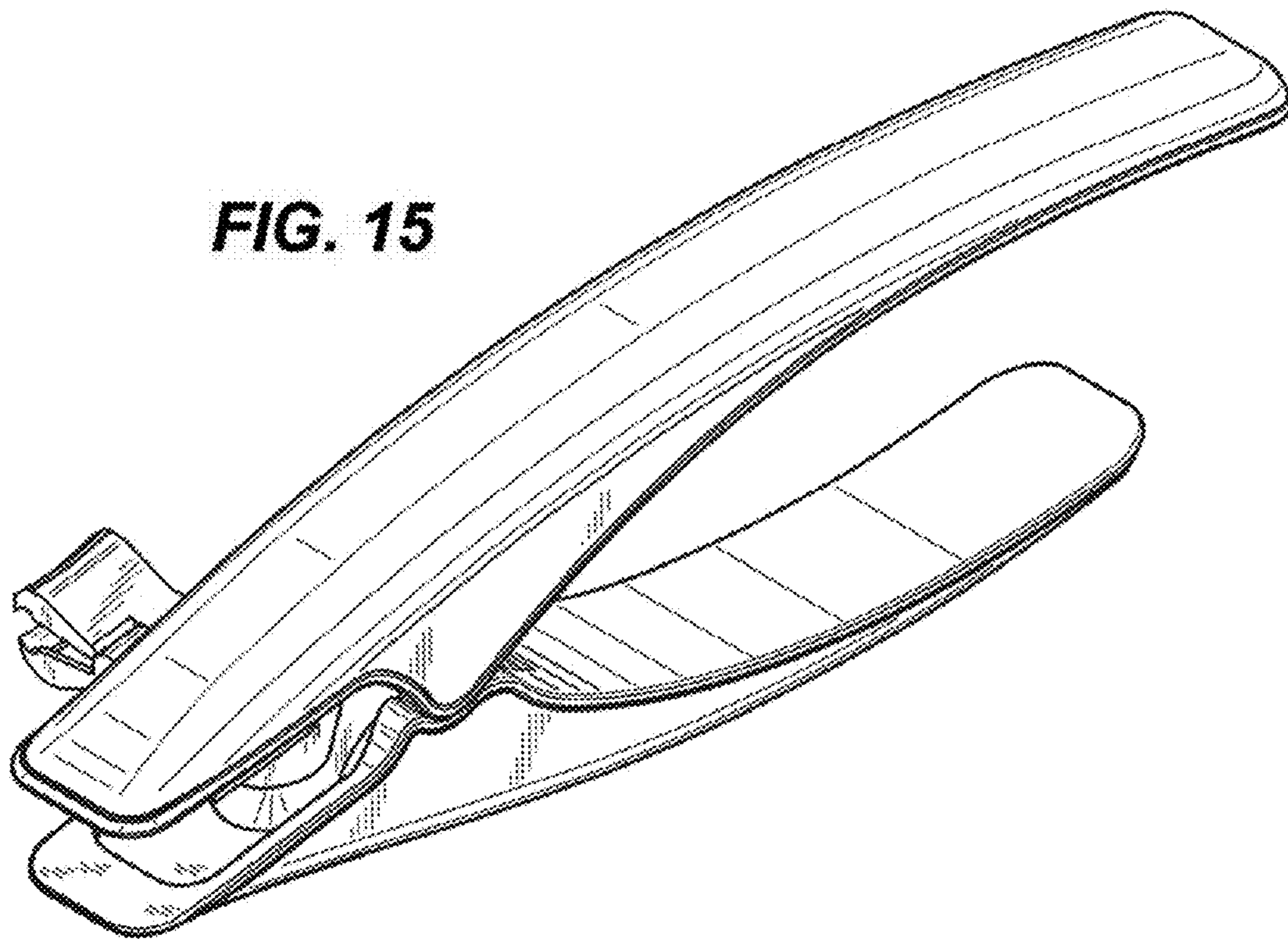


FIG. 16

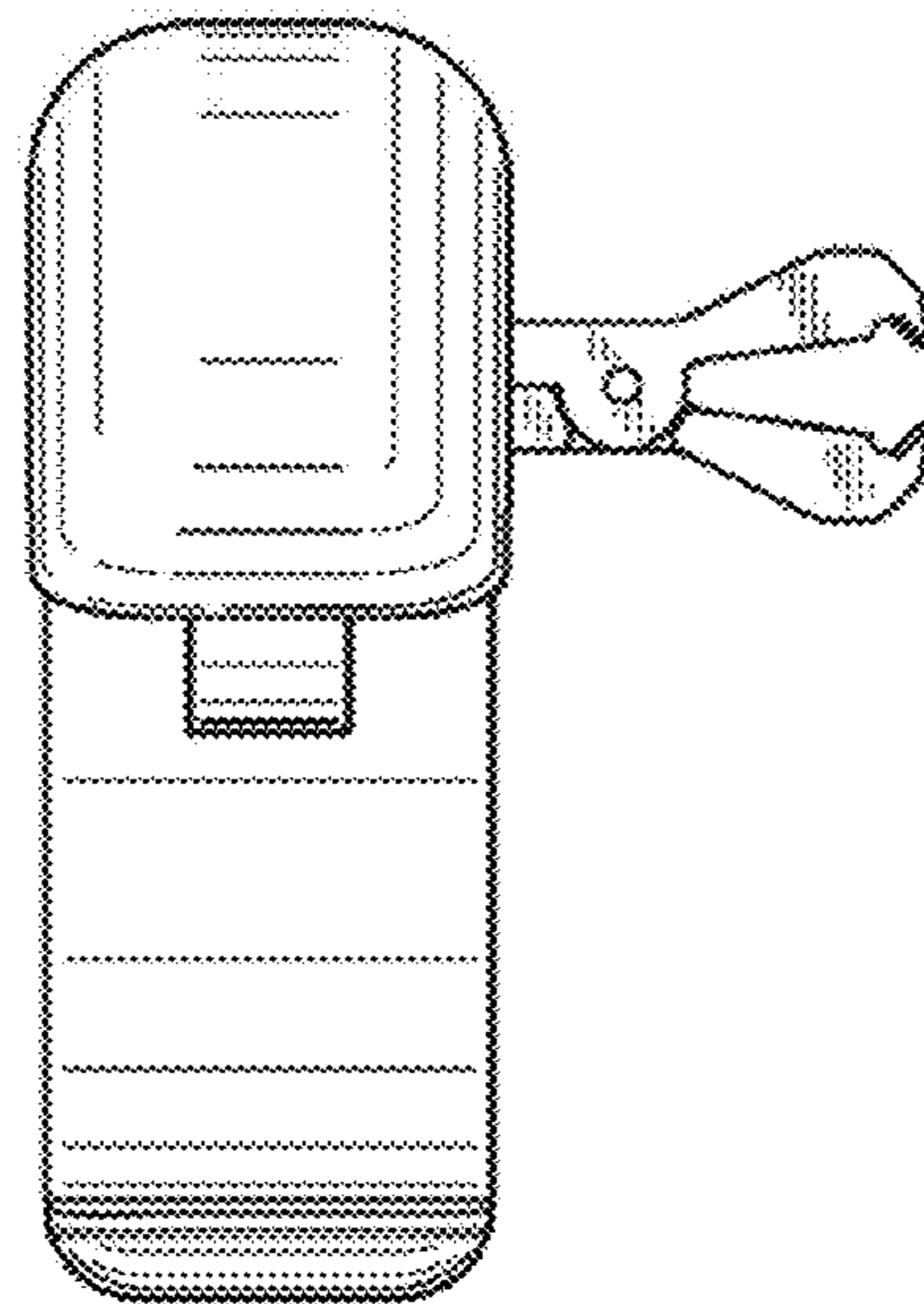
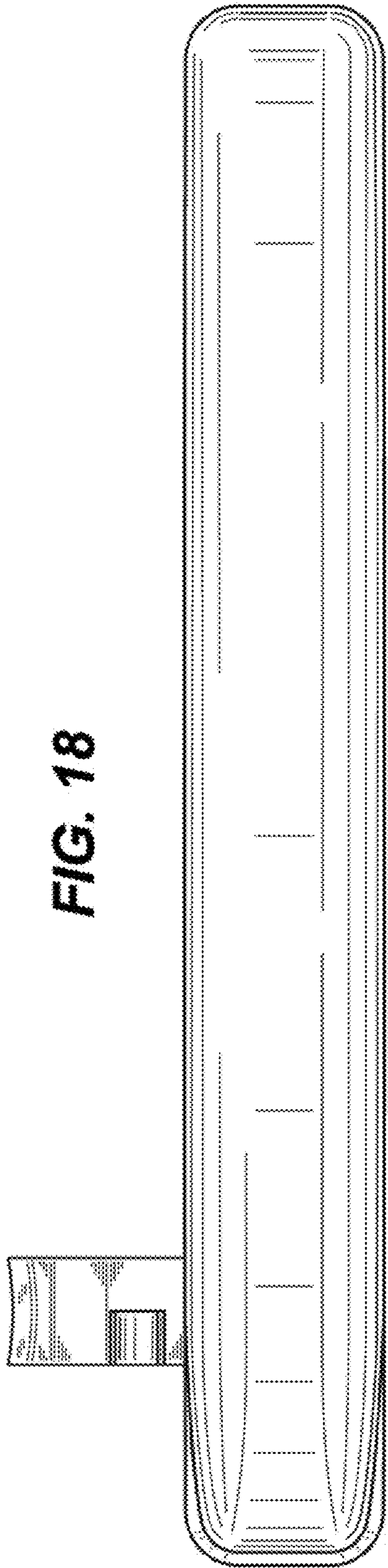
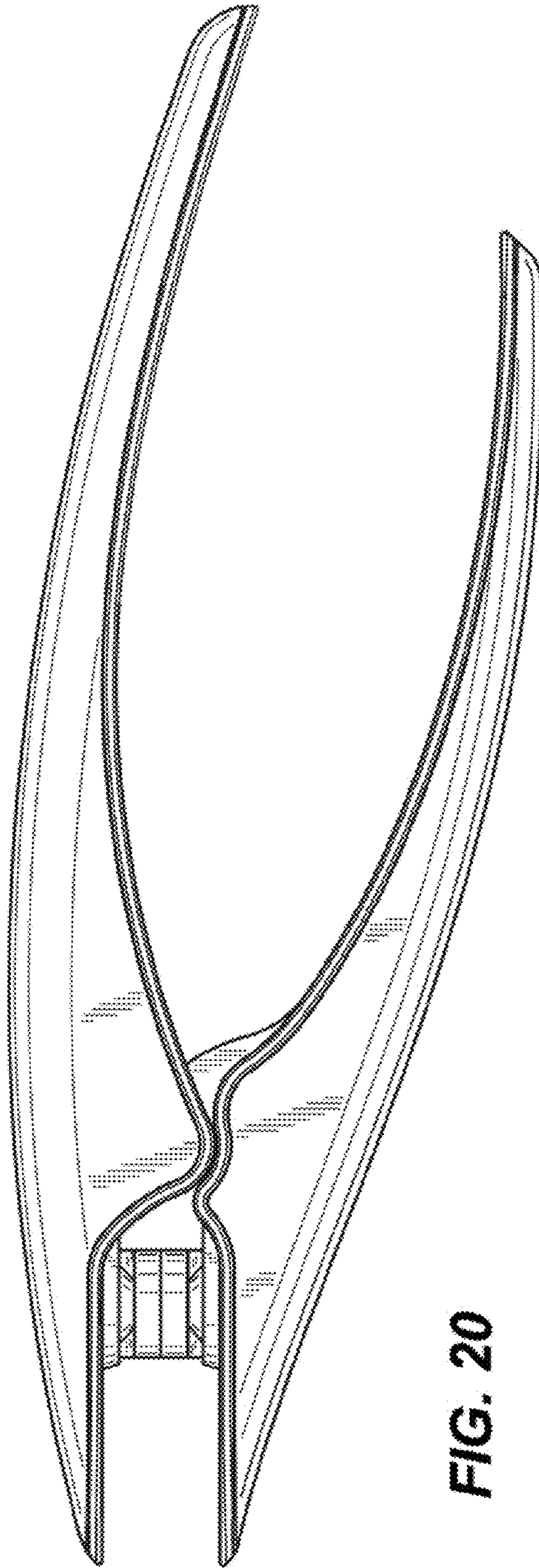


FIG. 17

**FIG. 18**



**FIG. 20**





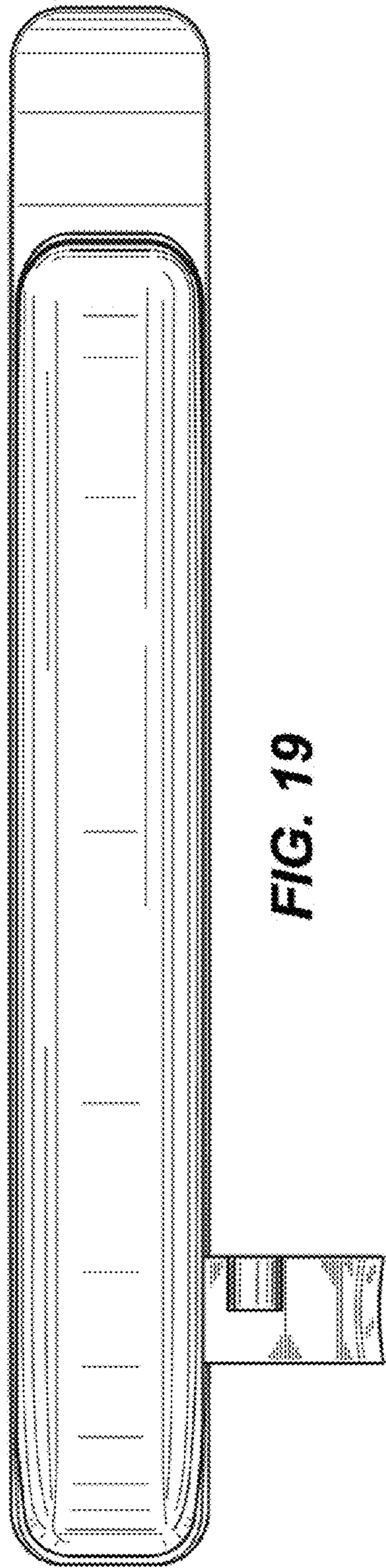


FIG. 19

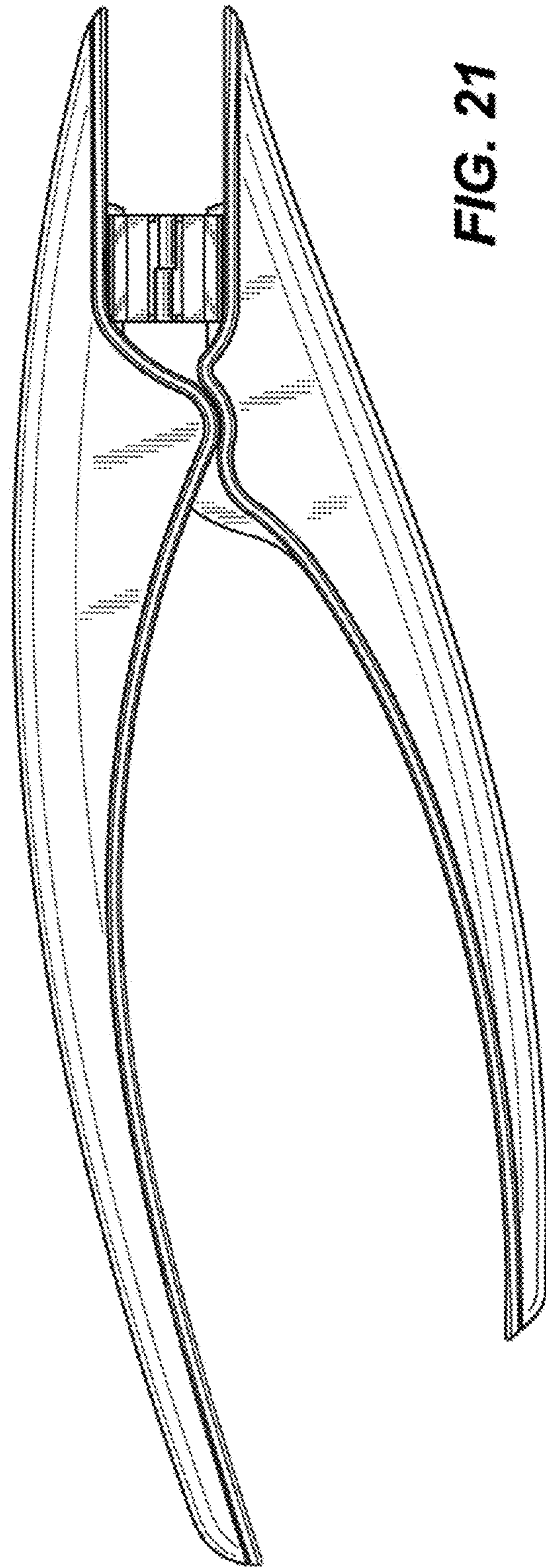


FIG. 21