



US00D724914S

(12) **United States Design Patent**
Tipp

(10) **Patent No.:** **US D724,914 S**
(45) **Date of Patent:** **** Mar. 24, 2015**

(54) **CAN OPENER**

(71) Applicant: **Raymond P. Tipp**, Missoula, MT (US)

(72) Inventor: **Raymond P. Tipp**, Missoula, MT (US)

(**) Term: **14 Years**

(21) Appl. No.: **29/463,911**

(22) Filed: **Apr. 4, 2014**

(51) **LOC (10) Cl.** **07-99**

(52) **U.S. Cl.**
USPC **D8/40**

(58) **Field of Classification Search**
USPC D8/14, 16, 18, 19, 33-43, 88, 89, 105,
D8/107; 7/112, 113, 151-156; 81/3.07,
81/3.09, 3.2, 3.27, 3.29, 3.31, 3.35, 3.37,
81/3.4, 3.48, 3.49, 3.55

See application file for complete search history.

(56) **References Cited**

U.S. PATENT DOCUMENTS

4,253,352	A *	3/1981	O'Neal	81/3.55
4,304,019	A *	12/1981	Sava	7/170
4,373,246	A *	2/1983	VanHoutte et al.	29/426.4
D269,587	S *	7/1983	Hanslmair	D8/40
4,412,464	A *	11/1983	Cook	81/3.09
D274,688	S *	7/1984	Escalante	D8/40
D281,389	S *	11/1985	Summers	D8/40
D281,760	S *	12/1985	Doring et al.	D8/18
4,563,919	A *	1/1986	Sellars	81/3.55
4,660,446	A *	4/1987	Soltis	81/3.55

4,681,358	A *	7/1987	Smith	294/15
D292,479	S *	10/1987	Beauchan	D8/40
D296,754	S *	7/1988	Ahumada	D8/38
D297,204	S *	8/1988	Duerst, Jr.	D8/40
D334,518	S *	4/1993	Hughes et al.	D8/40
5,277,083	A *	1/1994	Madonia	81/3.09
D363,863	S *	11/1995	Tipp	D8/40
5,509,380	A *	4/1996	Tipp	81/3.55
D405,331	S *	2/1999	Riccobene	D8/18
D539,105	S *	3/2007	Bennett	D8/18
D696,089	S *	12/2013	Caudle	D8/40
2011/0314968	A1 *	12/2011	Hill	81/3.07

* cited by examiner

Primary Examiner — Elizabeth Albert

(74) *Attorney, Agent, or Firm* — Jean Kyle

(57) **CLAIM**

The ornamental design for a can opener, as shown and described.

DESCRIPTION

FIG. 1 is a perspective view of my new design for a can opener;

FIG. 2 is a top side elevational view of the can opener, the bottom side is a mirror image;

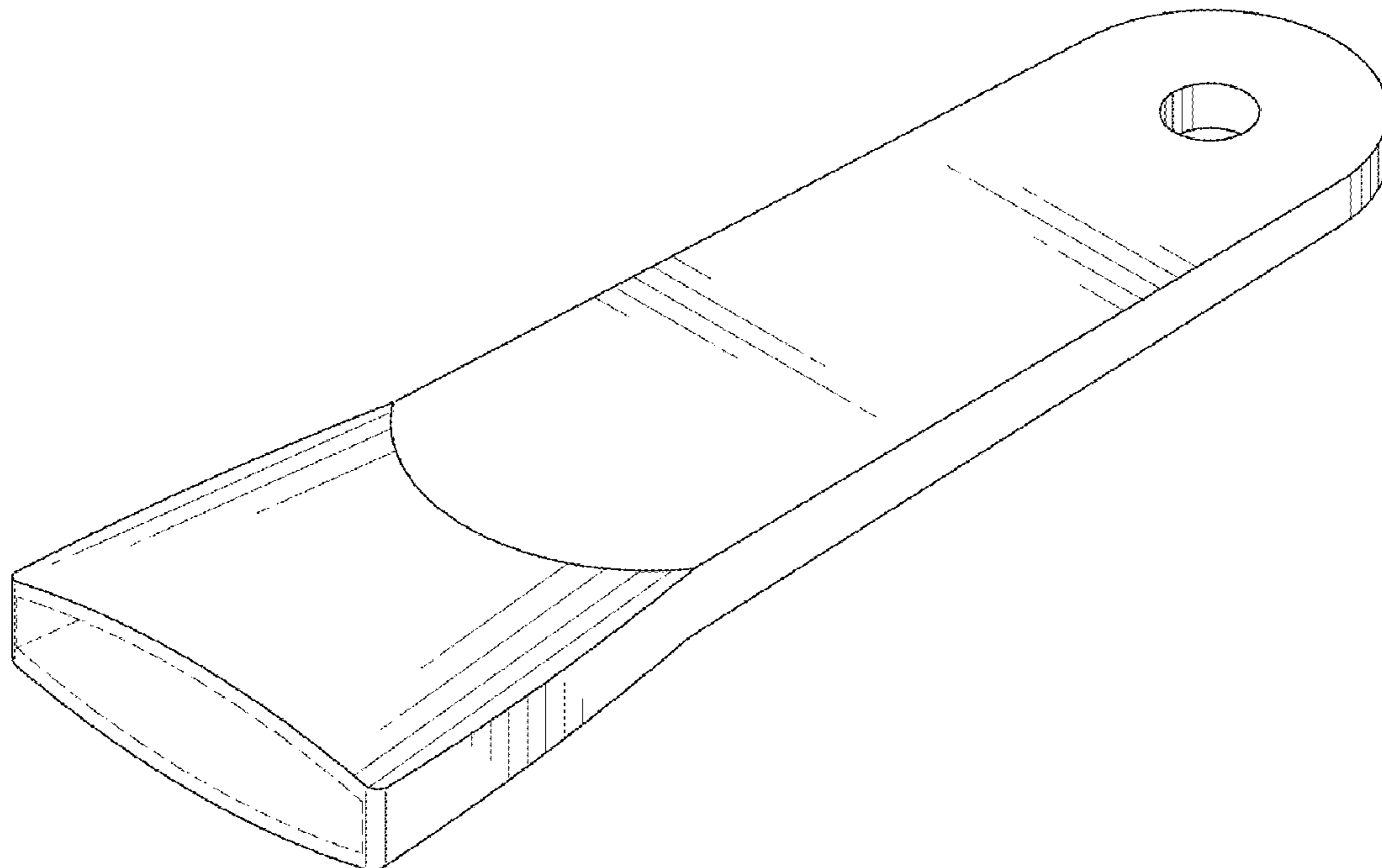
FIG. 3 is a right side elevational view of the can opener, the left side is a mirror image;

FIG. 4 is a bottom plan view of the can opener; and,

FIG. 5 is a top plan view of the can opener.

The broken lines showing the opening in FIG. 4 are included for the purpose of showing a portion of the can opener that forms no part of the claimed design.

1 Claim, 3 Drawing Sheets



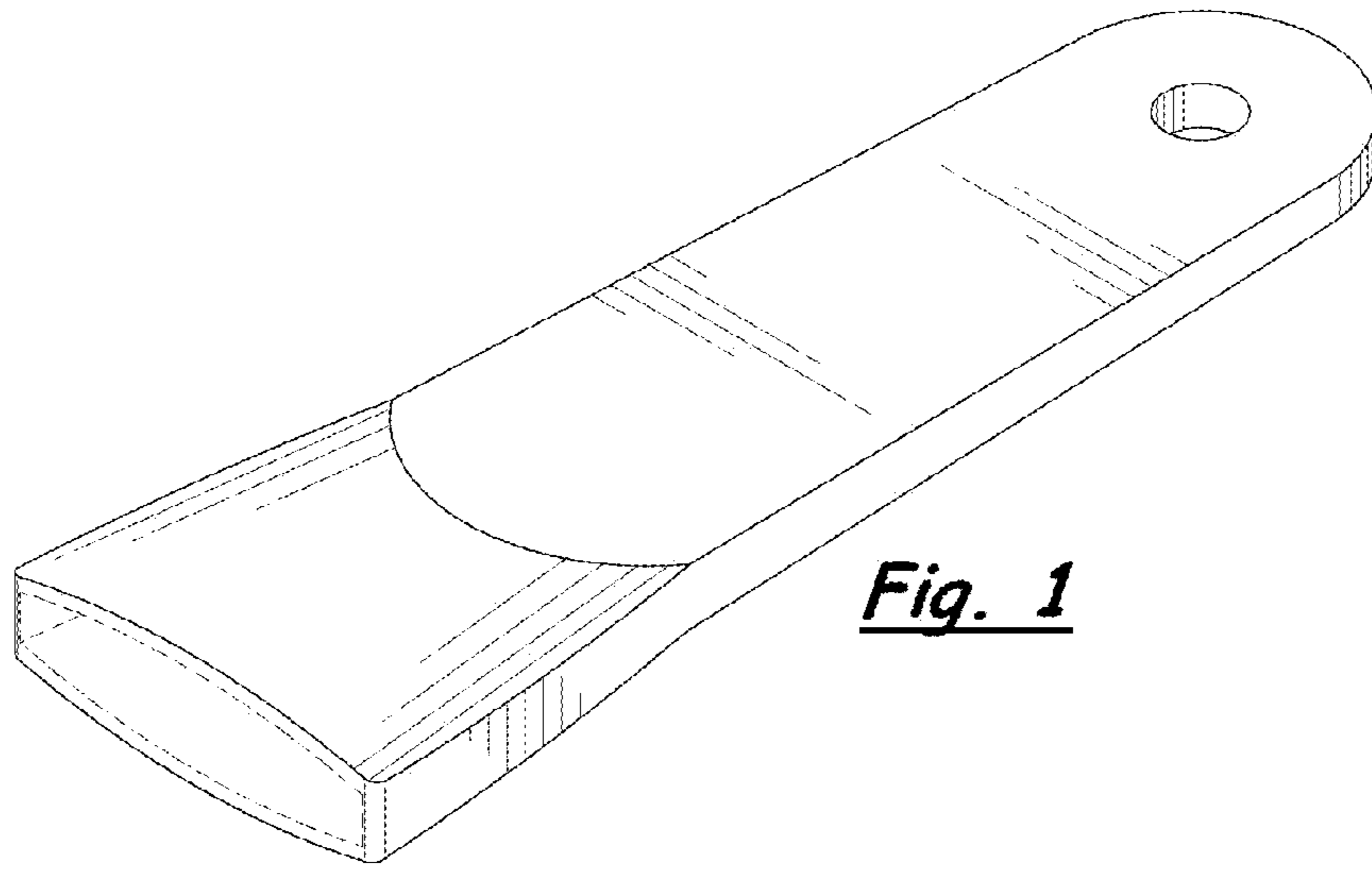


Fig. 1

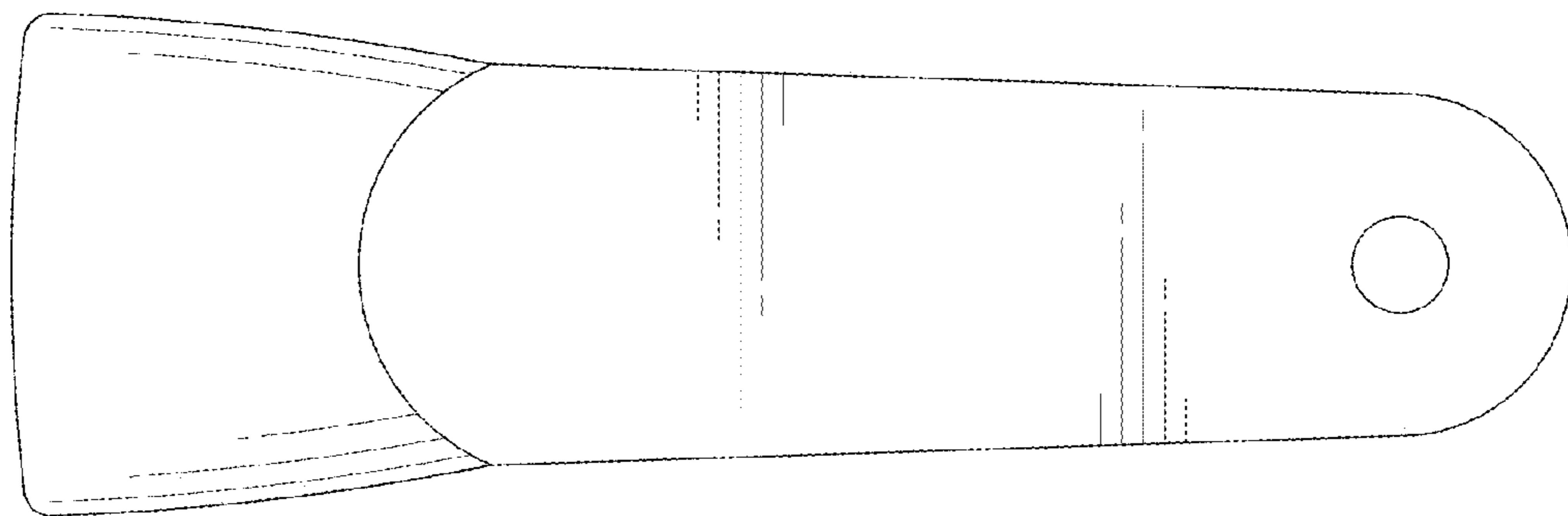


Fig. 2

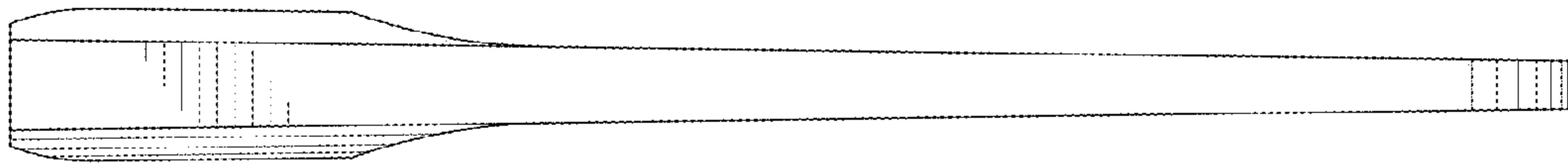


Fig. 3

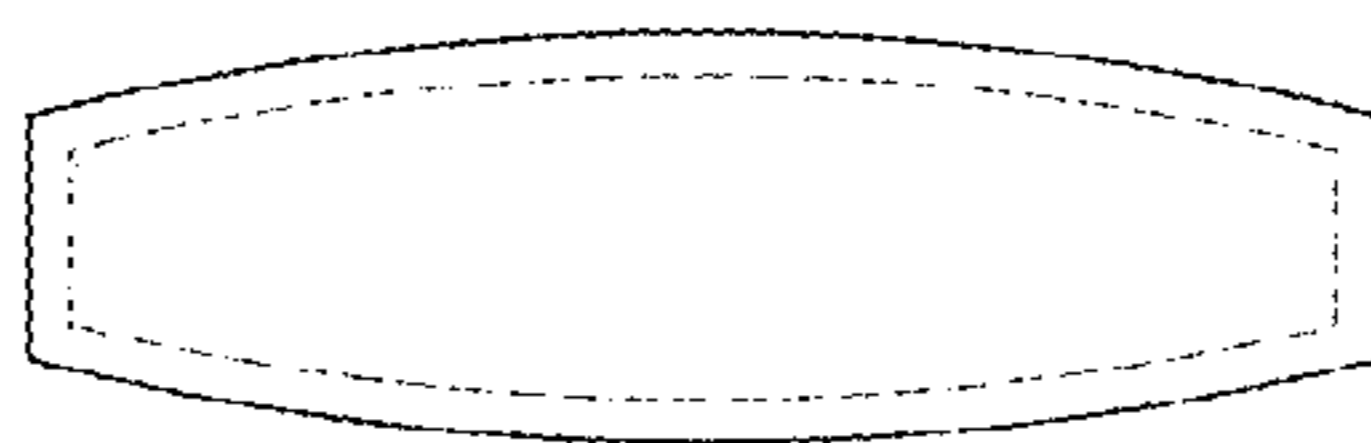


Fig. 4

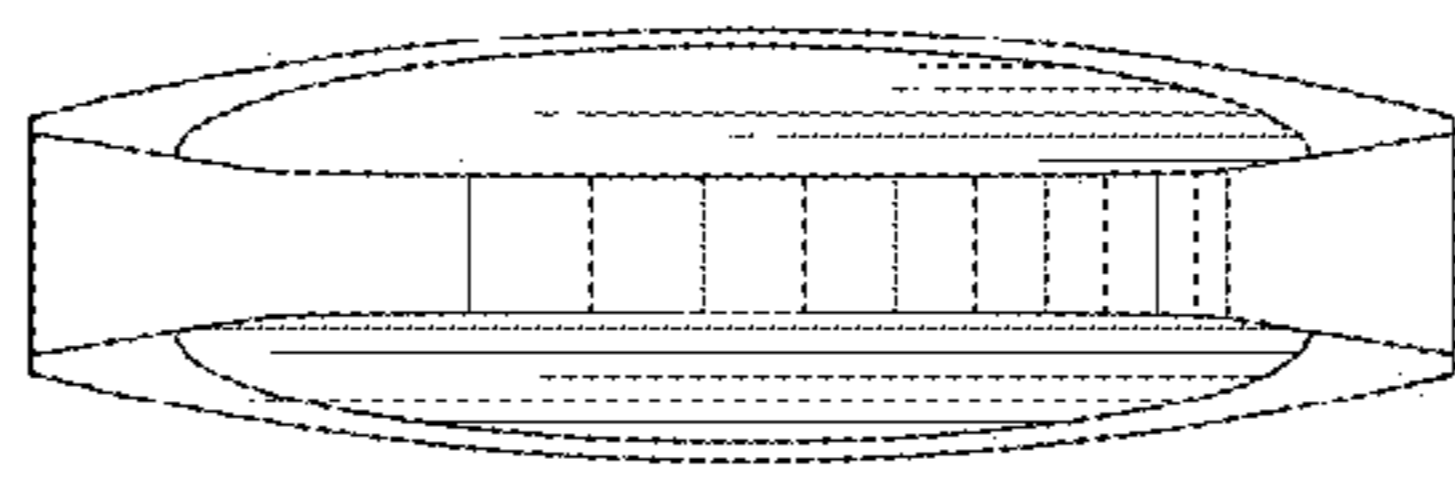


Fig. 5