



US00D724913S

(12) **United States Design Patent**
Dean

(10) **Patent No.:** **US D724,913 S**
(45) **Date of Patent:** **** Mar. 24, 2015**

(54) **DUAL HOLLOW SQUARE WRENCH HANDLE**

(71) Applicant: **Ejaz Dean**, Honolulu, HI (US)

(72) Inventor: **Ejaz Dean**, Honolulu, HI (US)

(**) Term: **14 Years**

(21) Appl. No.: **29/487,080**

(22) Filed: **Apr. 4, 2014**

(51) **LOC (10) Cl.** **08-05**

(52) **U.S. Cl.**
USPC **D8/27; D8/28**

(58) **Field of Classification Search**
USPC D8/17, 21-29, 354, 107; 81/60, 177.1, 81/177.85, 121.1, 124.3, 165-170, 110.1, 81/176.2, 124.6, 176.1, 176.15, 177.2, 81/186; 16/110.1; D15/144.1, 143; 219/75, 227, 229, 121.16, 121.18
See application file for complete search history.

(56) **References Cited**

U.S. PATENT DOCUMENTS

D507,465 S * 7/2005 Hu D8/27
D567,041 S * 4/2008 Wu D8/27

D577,271 S * 9/2008 Ganz et al. D8/27

* cited by examiner

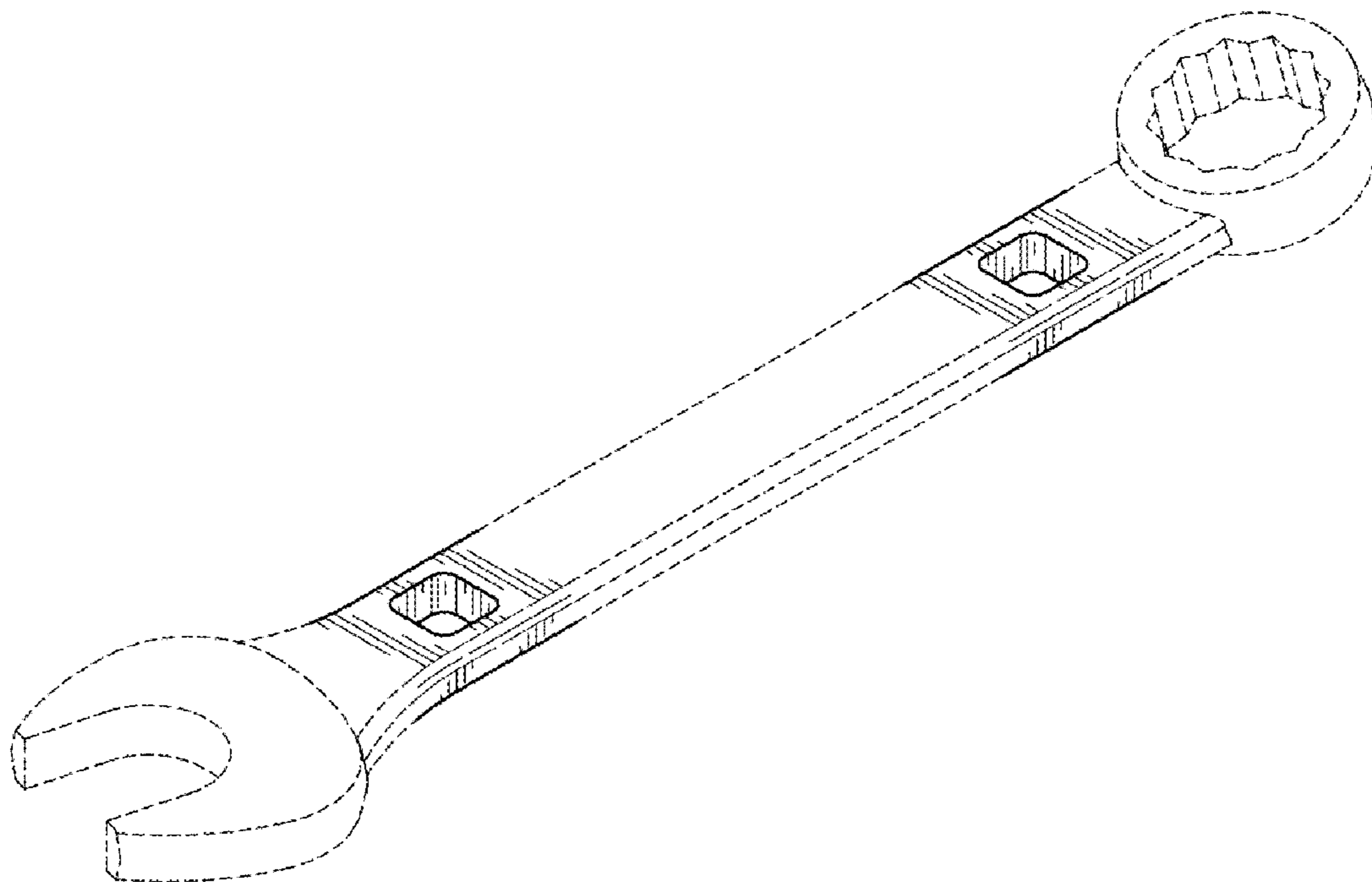
Primary Examiner — Randall Gholson

(57) **CLAIM**
The ornamental design for a dual hollow square wrench handle, as shown and described.

DESCRIPTION

FIG. 1 is a top perspective view of my new design for a dual hollow square wrench handle;
FIG. 2 is a bottom perspective view thereof;
FIG. 3 is a right side view thereof;
FIG. 4 is a left side view thereof;
FIG. 5 is a front view thereof;
FIG. 6 is a back view thereof;
FIG. 7 is a top view thereof; and
FIG. 8 is a bottom view thereof.
FIG. 9 is an alternate embodiment top perspective view of my new design for a dual hollow square wrench handle;
FIG. 10 is a right side view thereof;
FIG. 11 is left side view thereof;
FIG. 12 is a top view thereof; and,
FIG. 13 is a bottom view thereof.
The broken lines depict portions of the dual hollow square wrench handle that form no part of the claimed design.

1 Claim, 3 Drawing Sheets



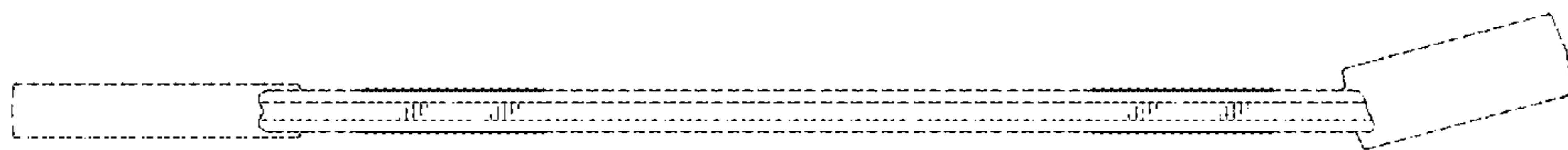
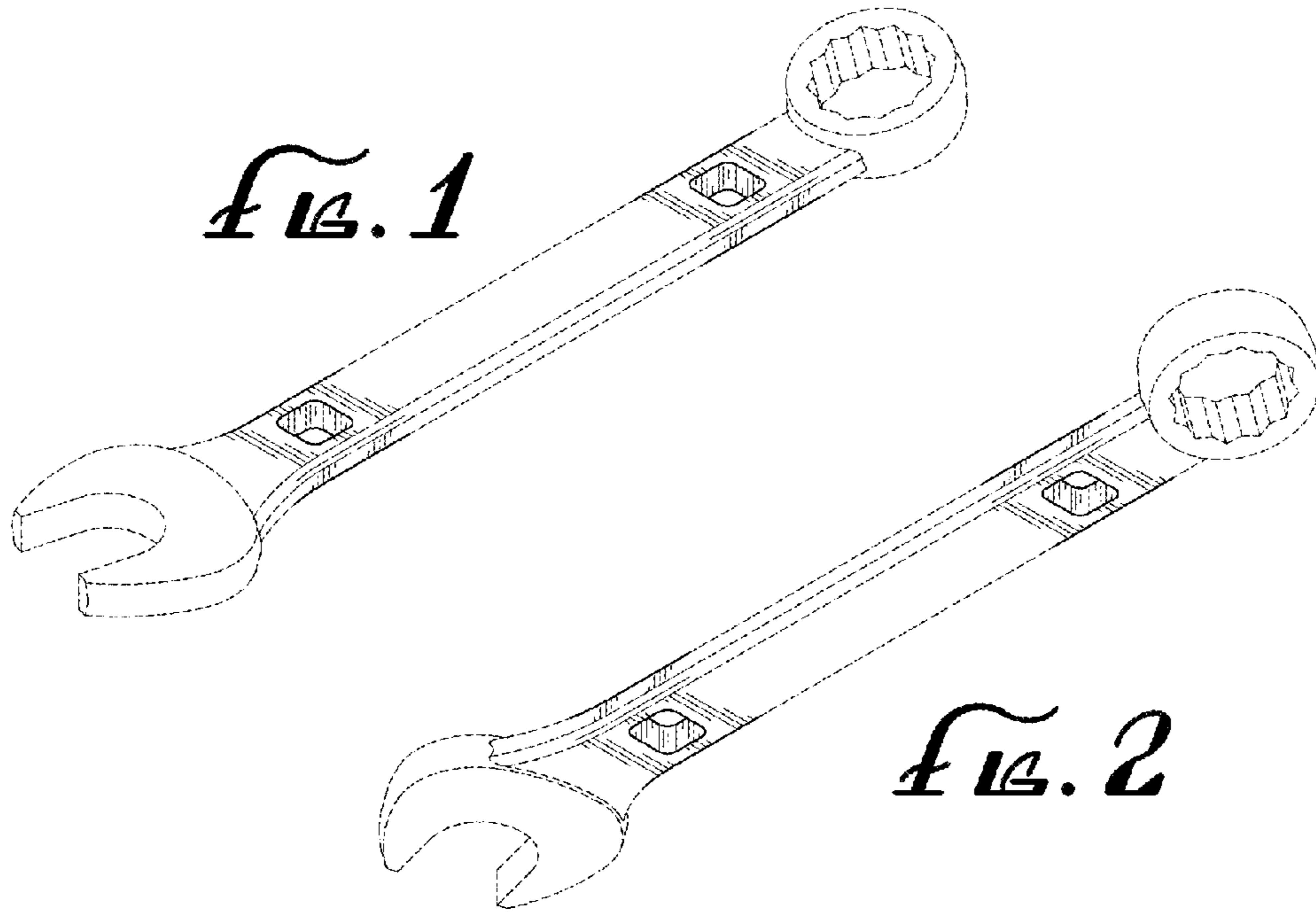


Fig. 3

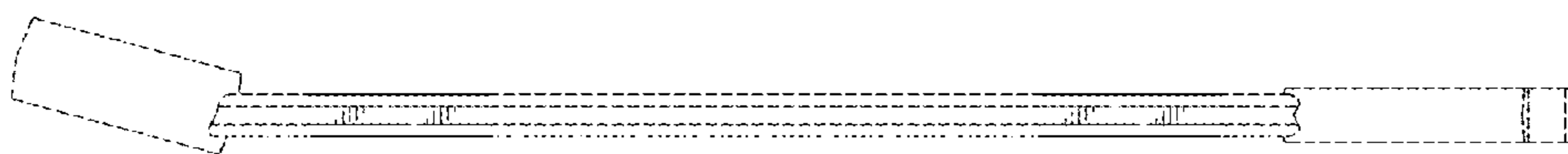


Fig. 4

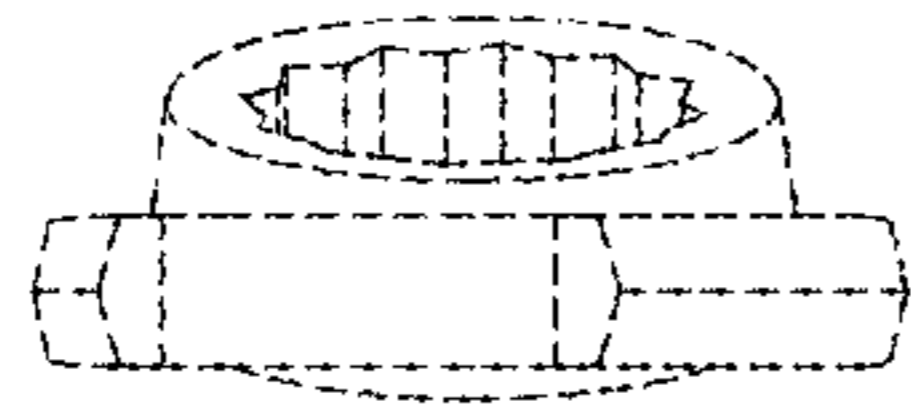


FIG. 5

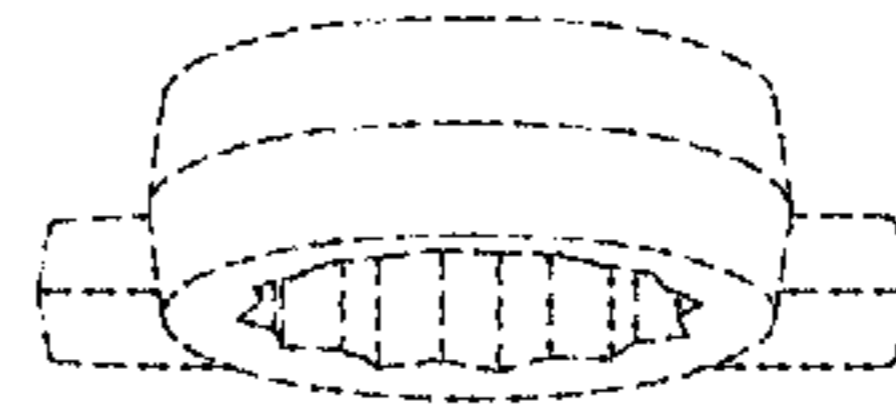


FIG. 6

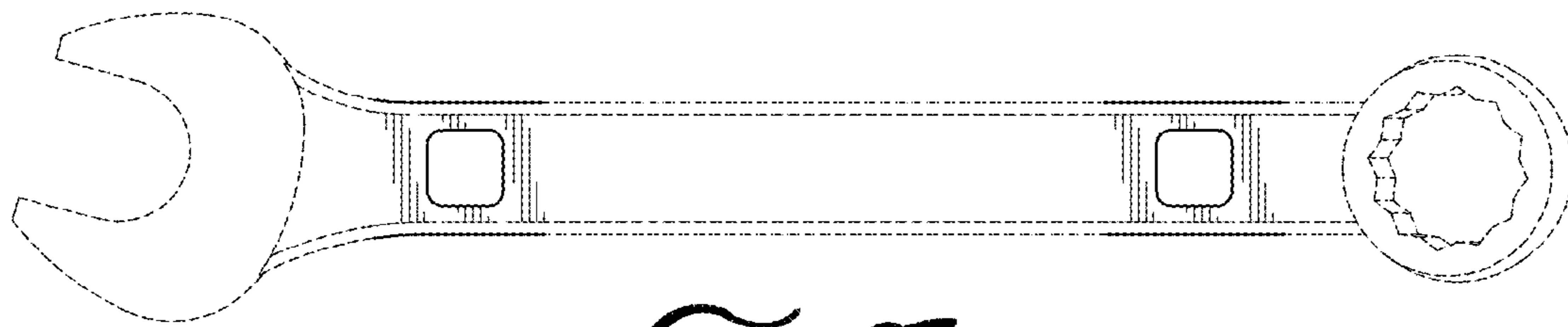


FIG. 7

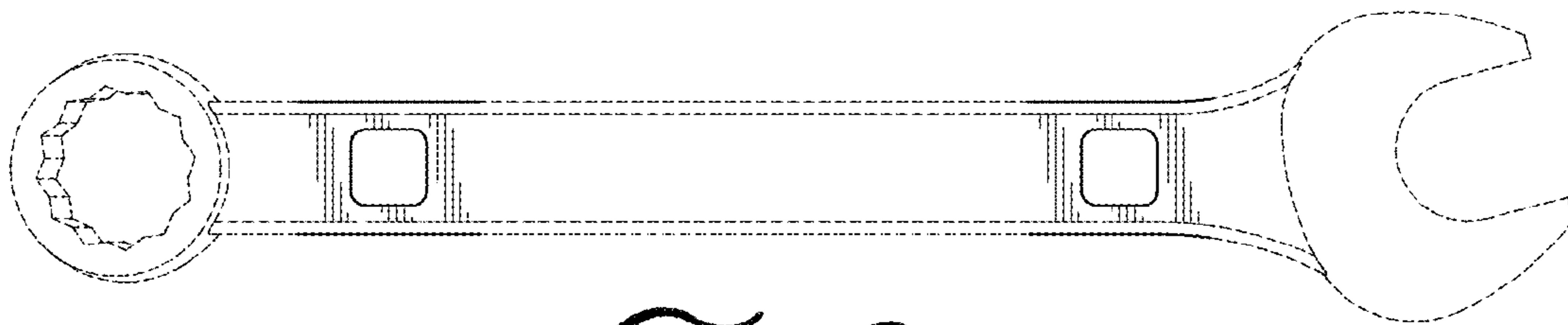


FIG. 8

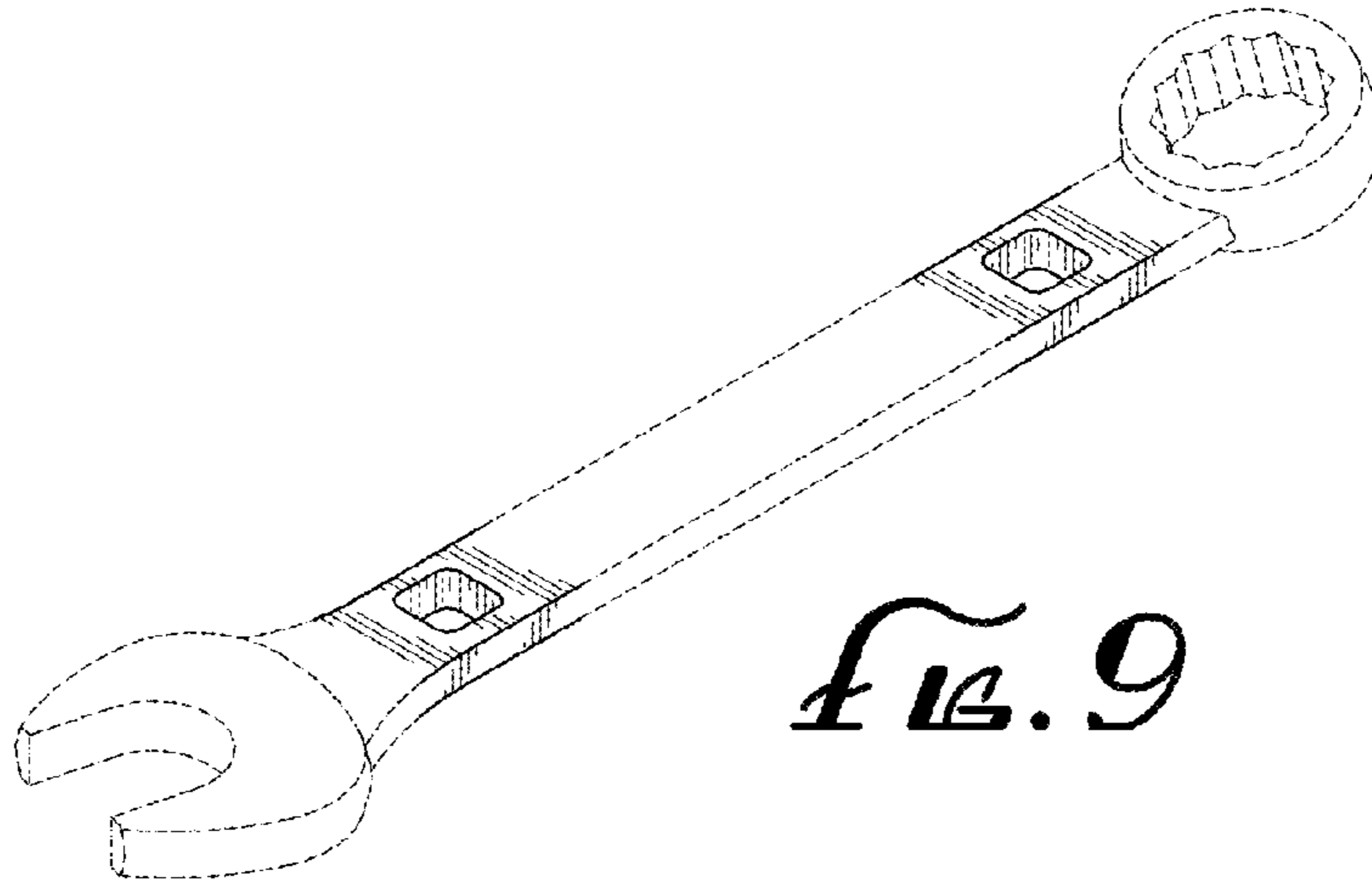


Fig. 9

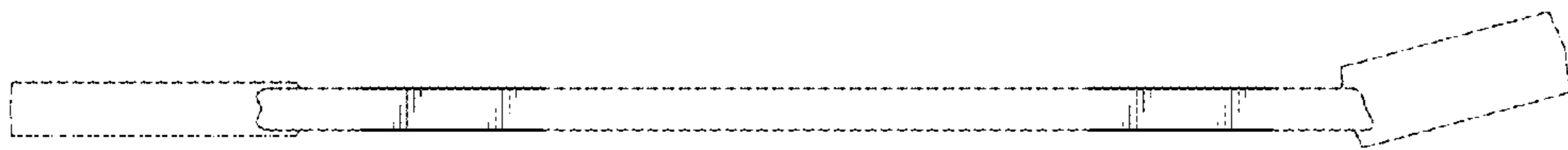


Fig. 10

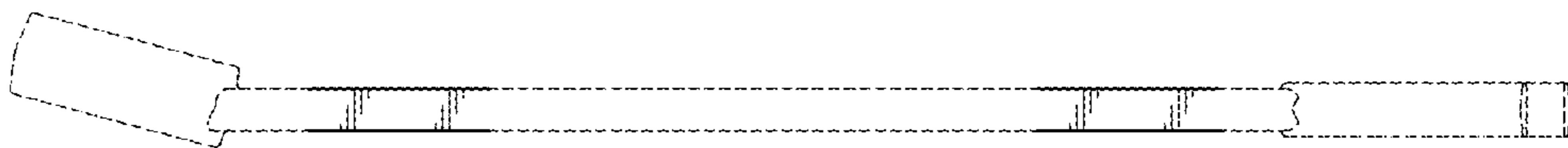


Fig. 11

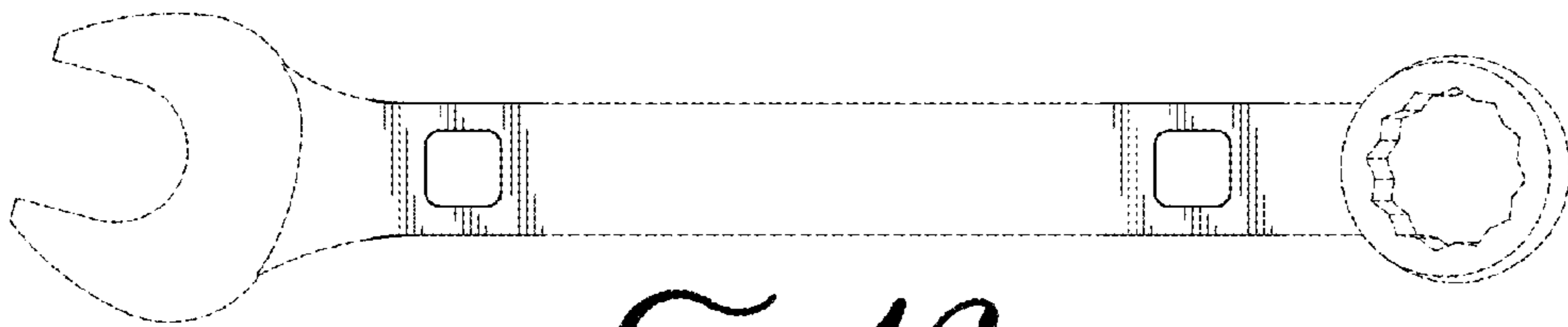


Fig. 12

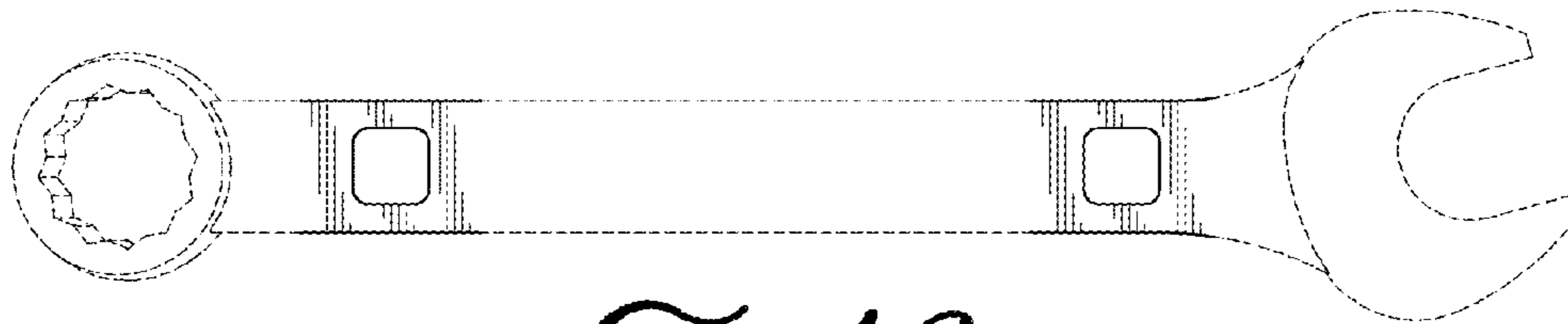


Fig. 13